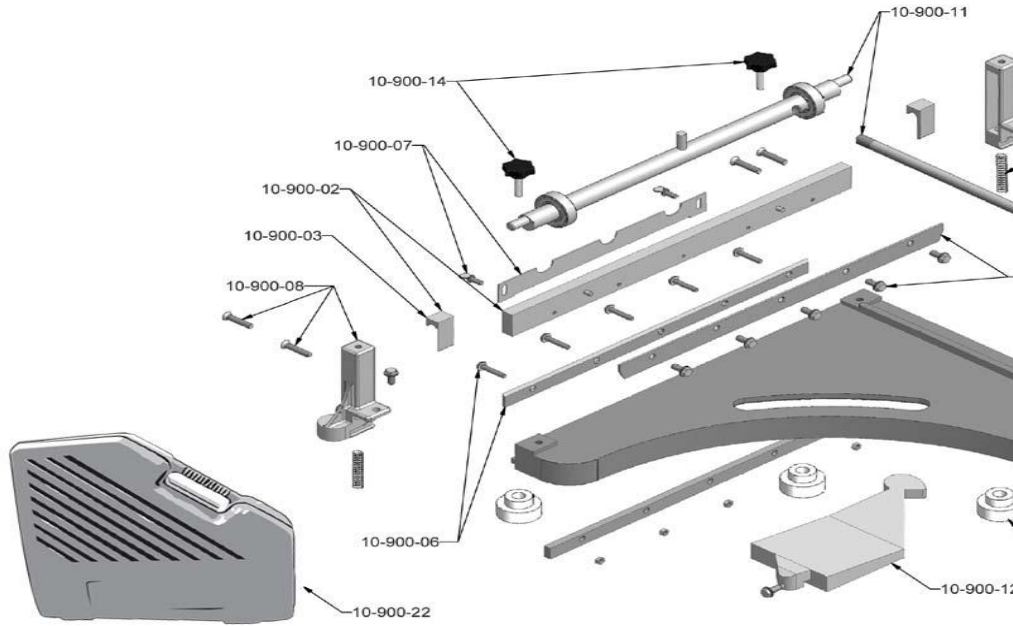


**Roberts**  
**Part #** **Product Description**

**12" VINYL TILE CUTTER 10-900**

10-900-01	Base assembly
10-900-02	Blade carrier bar (with 10-900-03 pillow blocks)
10-900-03	Pillow blocks "L" shaped (set of 2)
10-900-04	Casters for the Base
10-900-05	Top cutting blade (with bolts)
10-900-06	Lower fixed blade (with bolts)
10-900-07	Floor guide (with 2 wing screws)
10-900-08	Left post (with screws)
10-900-09	Right post (with screws)
10-900-10	Return springs (set of 2)
10-900-11	Crankshaft with attached handle & grip
10-900-12	Tile Guide with wing screw
10-900-13	Rubber feet (set of 3) (attach for stationary use)
10-900-14	Crankshaft adjusting screw knobs (set of 2)
10-900-15	Handle grip (sold separately)
10-900-22	Carry case



**Roberts**  
**Part #** **Product Description**

**18" VINYL TILE CUTTER 10-918**

- 10-918-01 Base assembly
- 10-918-02 Blade carrier bar (with 10-900-03 pillow blocks)
- 10-918-03 Pillow blocks "L" shaped (set of 2)
- 10-918-04 Casters for the Base
- 10-918-05 Top cutting blade (with bolts)
- 10-918-06 Lower fixed blade (with bolts)
- 10-918-07 Floor guide (with 2 wing screws)
- 10-918-08 Left post (with screws)
- 10-918-09 Right post (with screws)
- 10-918-10 Return springs (set of 2)
- 10-918-11 Crankshaft with attached handle & grip
- 10-918-12 Tile Guide with wing screw
- 10-918-13 Rubber feet (set of 3) (attach for stationary use)
- 10-918-14 Crankshaft adjusting screwknobs (set of 2)
- 10-918-15 Handle grip (sold separately)

