

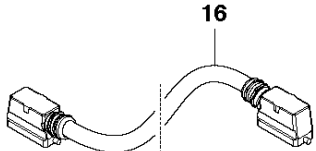
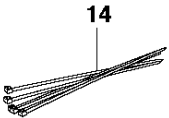
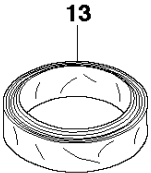
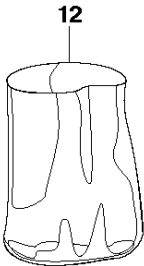
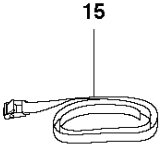
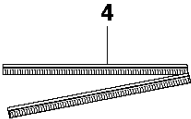
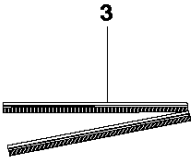
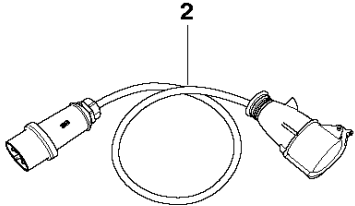
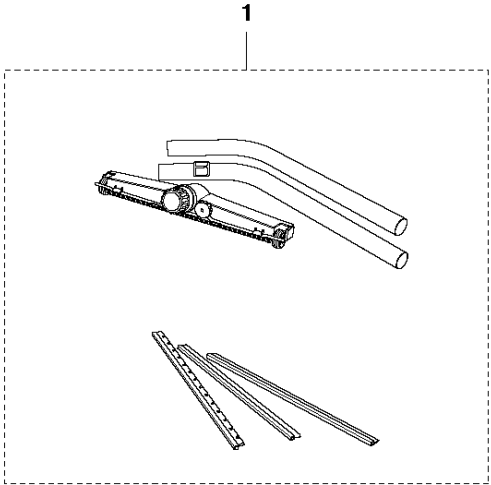
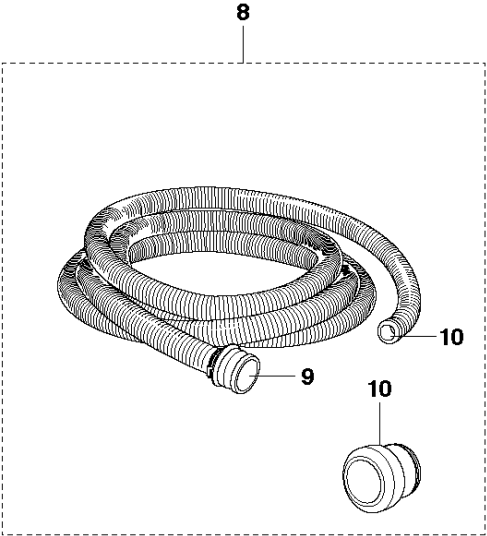
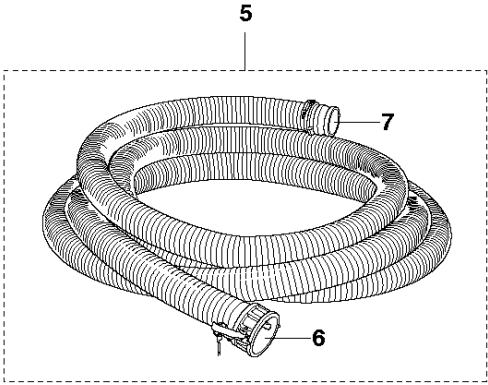


SPARE PARTS LIST

DUST AND SLURRY MANAGEMENT

DC 6000, 2016-06

A DC6000
ACCESSORIES

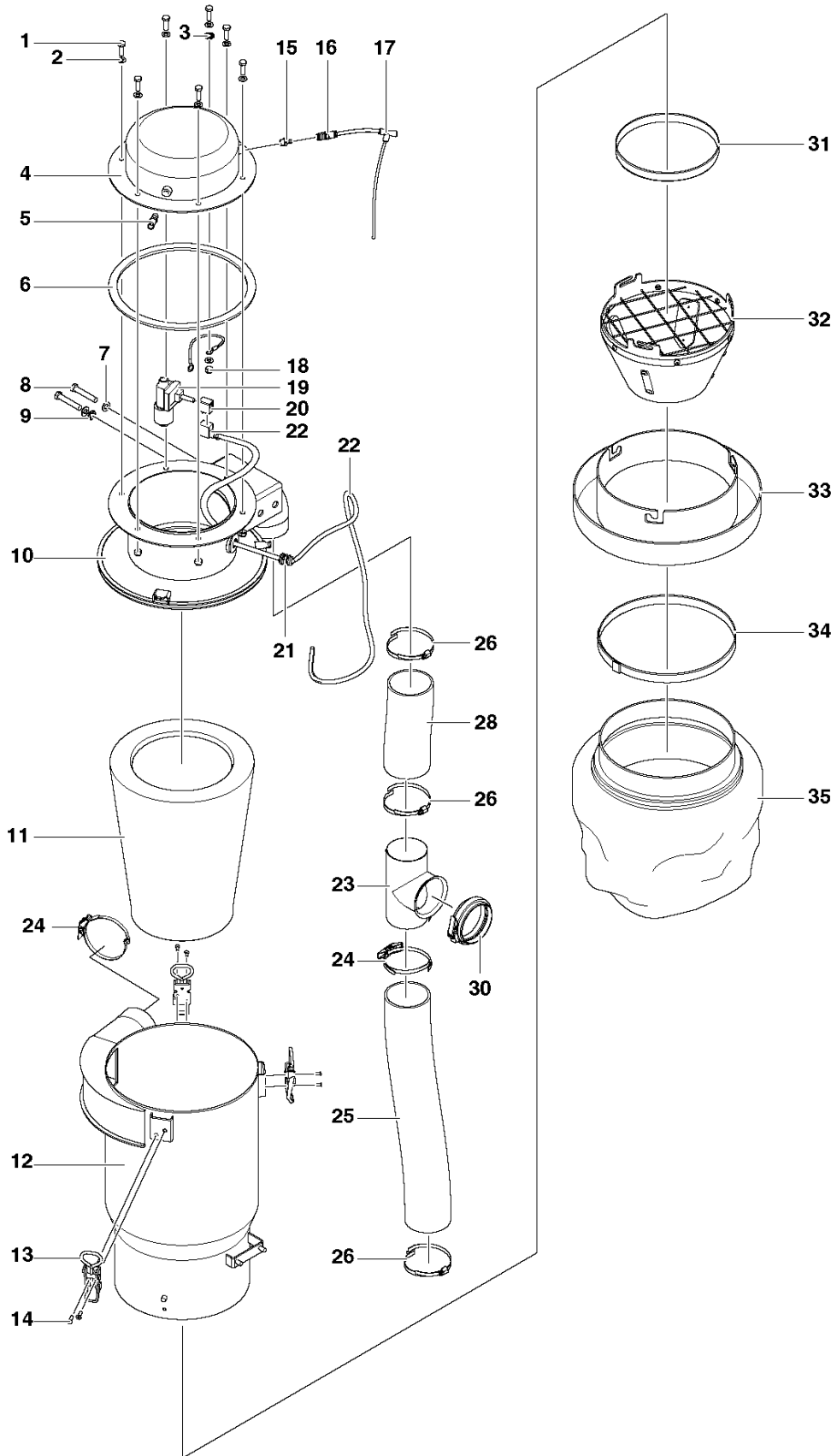


ACCESSORIES

DC 6000, 2016-06

Ref	Part No	Description	Remark	QTY	KIT
1	585 87 09-01	TOOL		1	
2	586 73 16-01	CABLE ASSY	Adapter 32A --> 16A	1	
3	510 27 85-01	TOOL		1	
4	521 91 21-01	STRIP		1	
5	525 58 46-01	HOSE KIT	"3"-hose"	1	
6	502 56 96-04	COUPLING		1	5
7	502 56 96-03	COUPLING		1	5
8	585 87 10-01	HOSE KIT	"2"-hose"	1	
9	502 56 98-03	HOSING		1	8
10	585 64 76-01	ADAPTER		1	8
11	502 56 96-05	HOSE CLAMP		1	
12	502 57 01-01	BAGS		1	
13	584 65 02-01	BAG		1	
14	586 67 16-01	TIE STRAP		1	
15	584 61 87-01	STRAP		1	
16	575 31 55-01	EXTENSION LEAD	CE	1	
16	575 31 55-02	EXTENSION JOINT	UL	1	
16	577 20 58-01	EXTENSION JOINT	JP	1	

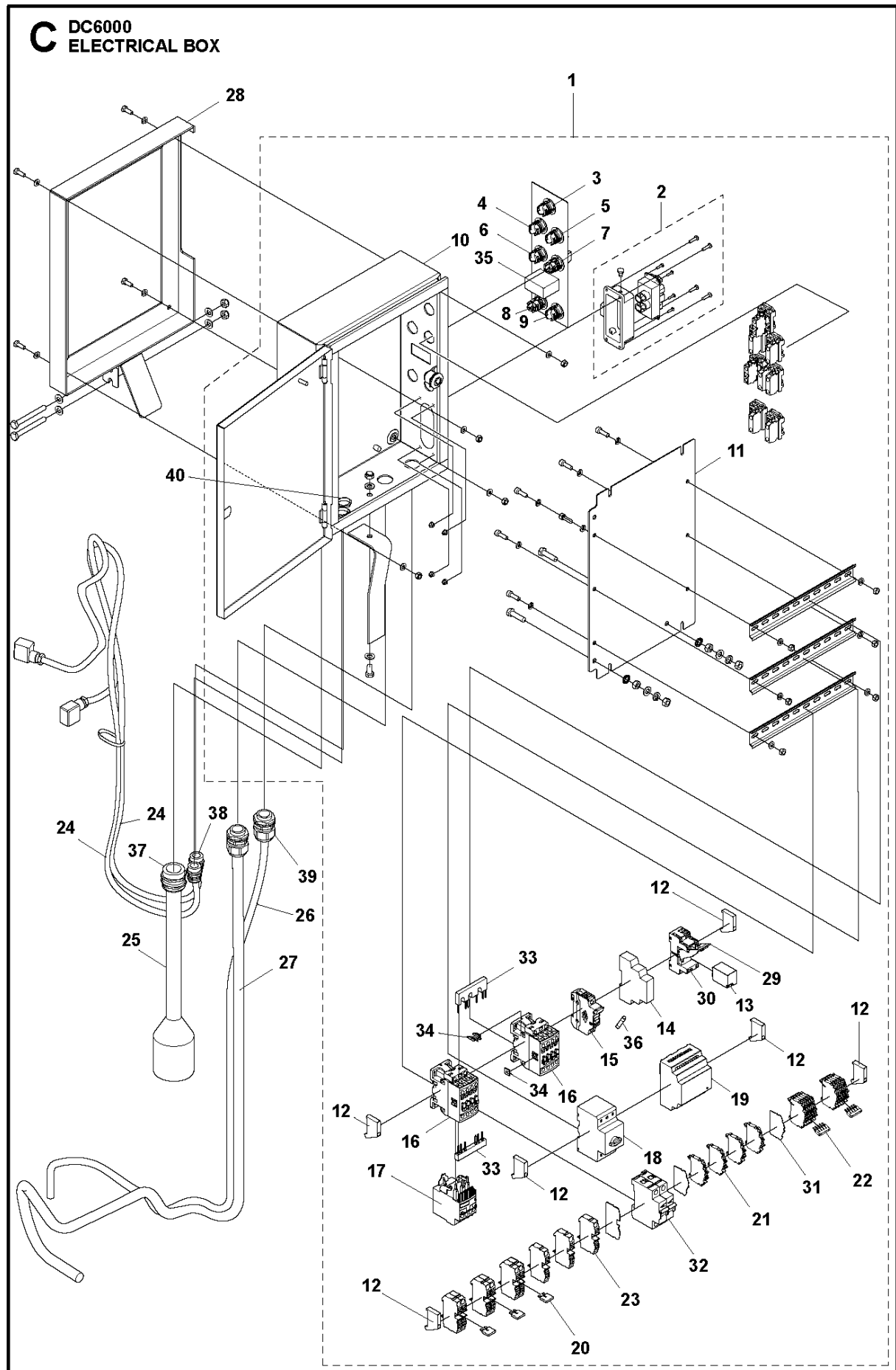
D DC6000
FILTER



AIR FILTER

DC 6000, 2016-06

Ref	Part No	Description	Remark	QTY KIT
1	725 24 95-71	SCREW EHHM		7
2	734 11 72-01	WASHER		7
3	732 25 20-01	HEXAGON LOCKING NUT		7
4	583 92 10-01	PRESSURE CHAMBER		1
5	583 95 81-01	VALVE		1
6	504 76 22-01	SEAL		1
7	734 11 78-01	WASHER		4
8	725 25 46-71	SCREW EHHM		4
9	586 06 14-02	WASHER		2
10	583 94 48-01	FILTER		1
11	579 75 88-01	FILTER		1
12	583 92 12-01	TUBE		1
13	582 59 70-01	LATCH		3
14	724 33 29-51	SCREW CRCSFM		6
15	584 14 73-01	CONNECTION		1
16	584 14 72-01	CONNECTION		1
17	579 81 00-01	CONNECTION		1
18	732 25 20-01	HEXAGON LOCKING NUT		7
19	583 95 80-01	VALVE		1
20	584 29 87-01	COIL		1
21	525 57 03-01	GROMMET		1
22	586 22 48-01	CABLE ASSY	EU/AUS	1
22	586 22 48-02	CABLE ASSY	US	1
23	501 85 69-01	PIPE		1
24	579 77 68-01	HOSE CLAMP		2
25	584 46 95-05	HOSE		1
26	584 46 94-01	HOSE CLAMP		5
28	584 46 95-04	HOSE		1
30	579 77 66-01	CLAMP		1
31	583 88 65-01	HOSE CLAMP		1
32	582 00 13-01	NET		1
33	583 87 62-01	HOLDER		1
34	584 61 87-01	STRAP		1
35	584 65 02-01	BAG		1

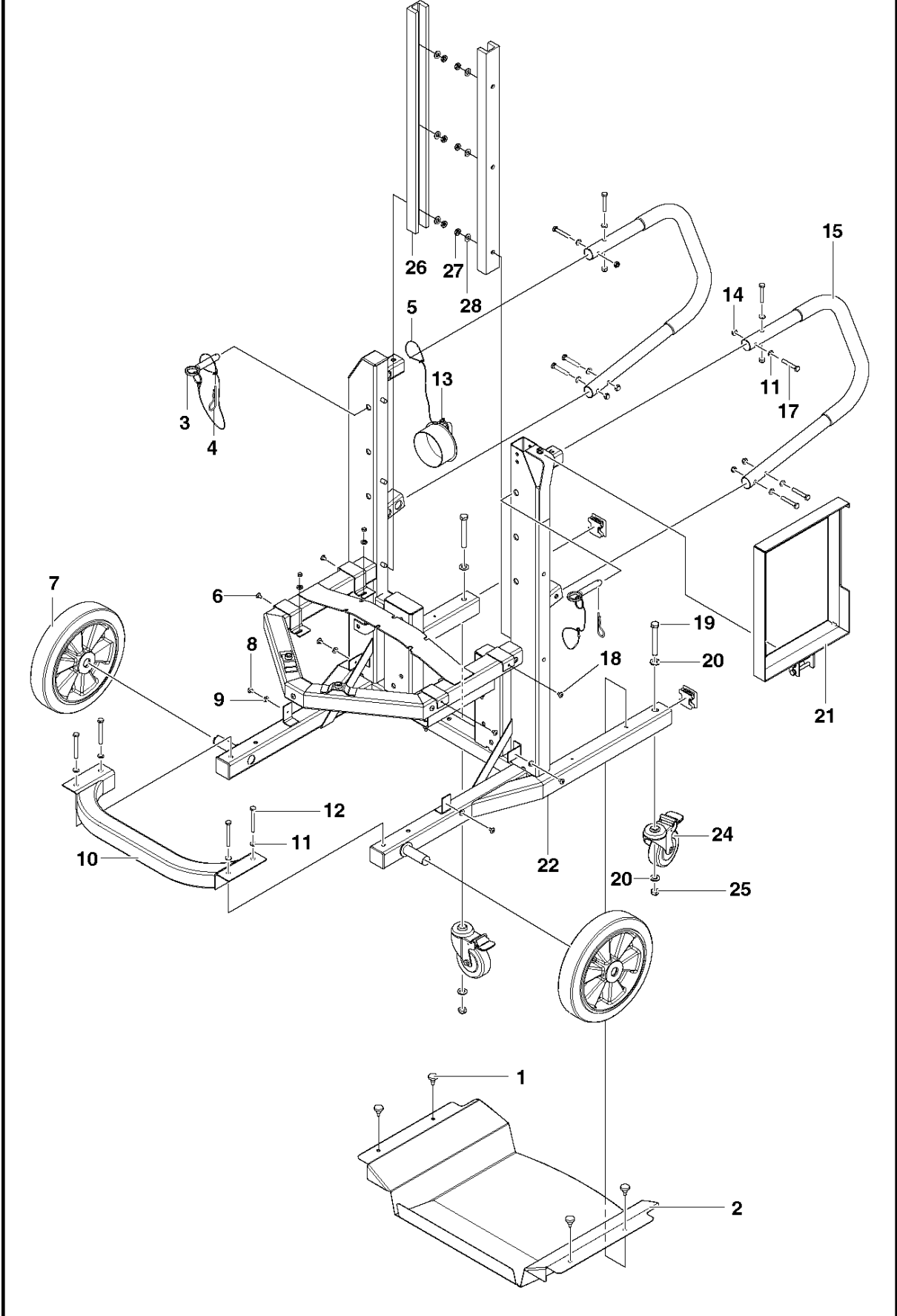


ELECTRIC BOX

DC 6000, 2016-06

Ref	Part No	Description	Remark	QTY KIT
1	585 15 18-01	ELECTRONIC BOX		1
2	586 74 02-01	CONNECTOR		1
3	586 74 13-01	LAMP		1
4	586 87 70-01	PUSH BUTTON		1
5	586 87 72-01	PUSH BUTTON		1
6	586 87 71-01	SWITCH		1
7	586 74 20-01	LAMP		1
8	586 87 82-01	PUSH BUTTON		1
9	586 87 80-01	SWITCH		1
10	586 46 66-01	ELECTRONIC BOX		1
11	585 87 54-01	PLATE	-01 EU/AUS / -02 UL/CSA	1
12	504 73 99-01	CLAMP		4
13	584 29 73-01	RELAY		1
14	585 62 28-01	RELAY		1
15	585 62 29-01	FUSE HOLDER		1
16	585 65 36-01	CONTACTOR		2
17	584 29 78-01	RELAY		1
18	586 07 97-01	PROTECTION		1
19	581 92 23-02	CONTROL UNIT		1
20	585 61 33-01	TERMINAL BLOCK		1
21	585 61 35-01	TERMINAL BLOCK		14
22	585 61 37-01	TERMINAL BLOCK		1
23	585 61 31-01	TERMINAL BLOCK		9
24	586 22 48-01	CABLE ASSY	-01 EU / -02 AUS / -03 UL/CSA	1
25	586 22 31-01	CABLE ASSY	-01 EU/AUS / -02 UL/CSA	1
26	586 22 35-01	CABLE ASSY	-01 EU/AUS / -02 UL/CSA	1
27	586 22 32-01	CABLE ASSY		1
28	585 20 16-01	FRAME		1
29	584 29 75-01	HOLDER		1
30	584 29 74-01	SOCKET		1
31	585 61 39-01	TERMINAL BLOCK		1
32	584 29 84-01	CIRCUIT BREAKER		1
33	585 65 04-01	CONNECTION		2
34	585 64 92-01	INTERLOCK		2
35	584 29 63-01	HOUR METER		1
36	585 66 03-01	FUSE		1
37	525 57 03-02	GROMMET		1
38	525 57 03-01	GROMMET		2
39	516 06 18-01	GROMMET		2
40	510 43 18-01	NUT		2

F DC6000
LOWER FRAME

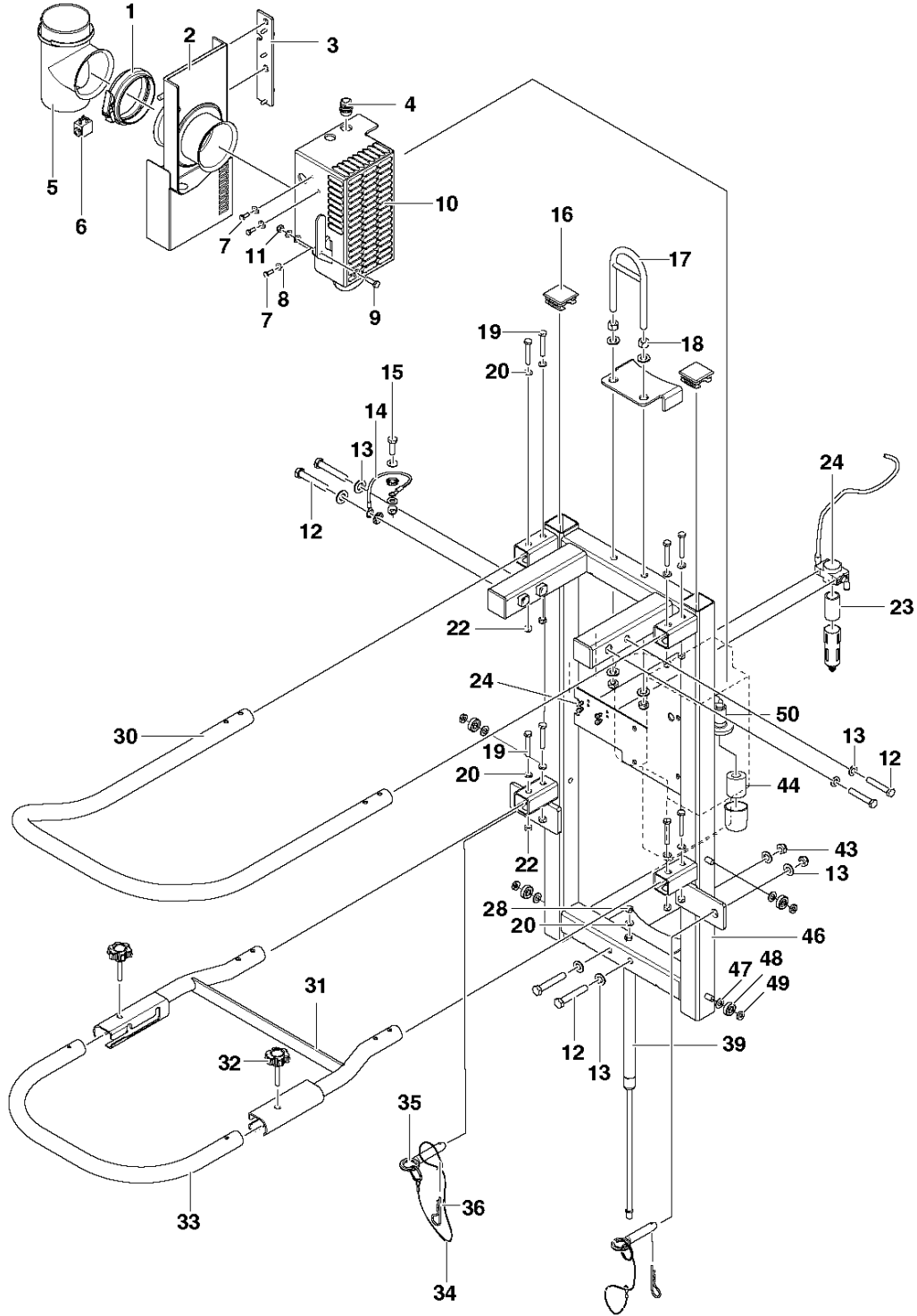


FRAME

DC 6000, 2016-06

Ref	Part No	Description	Remark	QTY KIT
1	510 36 16-01	SCREW		4
2	579 80 99-01	SHEET		1
3	582 13 78-01	PIN		2
4	582 13 54-01	GAS SPRING		2
5	582 18 38-01	WIRE		1
6	535 42 58-01	SCREW IHPANM		1
7	502 54 50-01	WHEEL		2
8	535 42 58-01	SCREW IHPANM		8
9	734 11 52-60	WASHER		8
10	586 04 30-01	TUBE		1
11	734 11 63-01	WASHER		13
12	725 24 65-71	SCREW EHHM		4
13	582 18 12-01	LID		1
14	732 25 18-01	HEXAGON LOCKING NUT		12
15	583 86 79-01	PIPE		2
17	725 24 61-71	SCREW EHHM		8
18	583 90 79-01	SHEET		1
19	725 25 50-71	SCREW EHHM		2
20	734 11 78-01	WASHER		4
21	585 20 16-01	FRAME		1
22	582 41 96-01	FRAME	Complete frame	1
24	502 56 91-01	WHEEL		2
25	732 25 22-01	HEXAGON LOCKING NUT		2
26	579 81 29-01	RAIL		2
27	731 43 20-01	HEXAGON THIN NUT		6
28	734 11 72-01	WASHER		6

E DC6000
UPPER FRAME

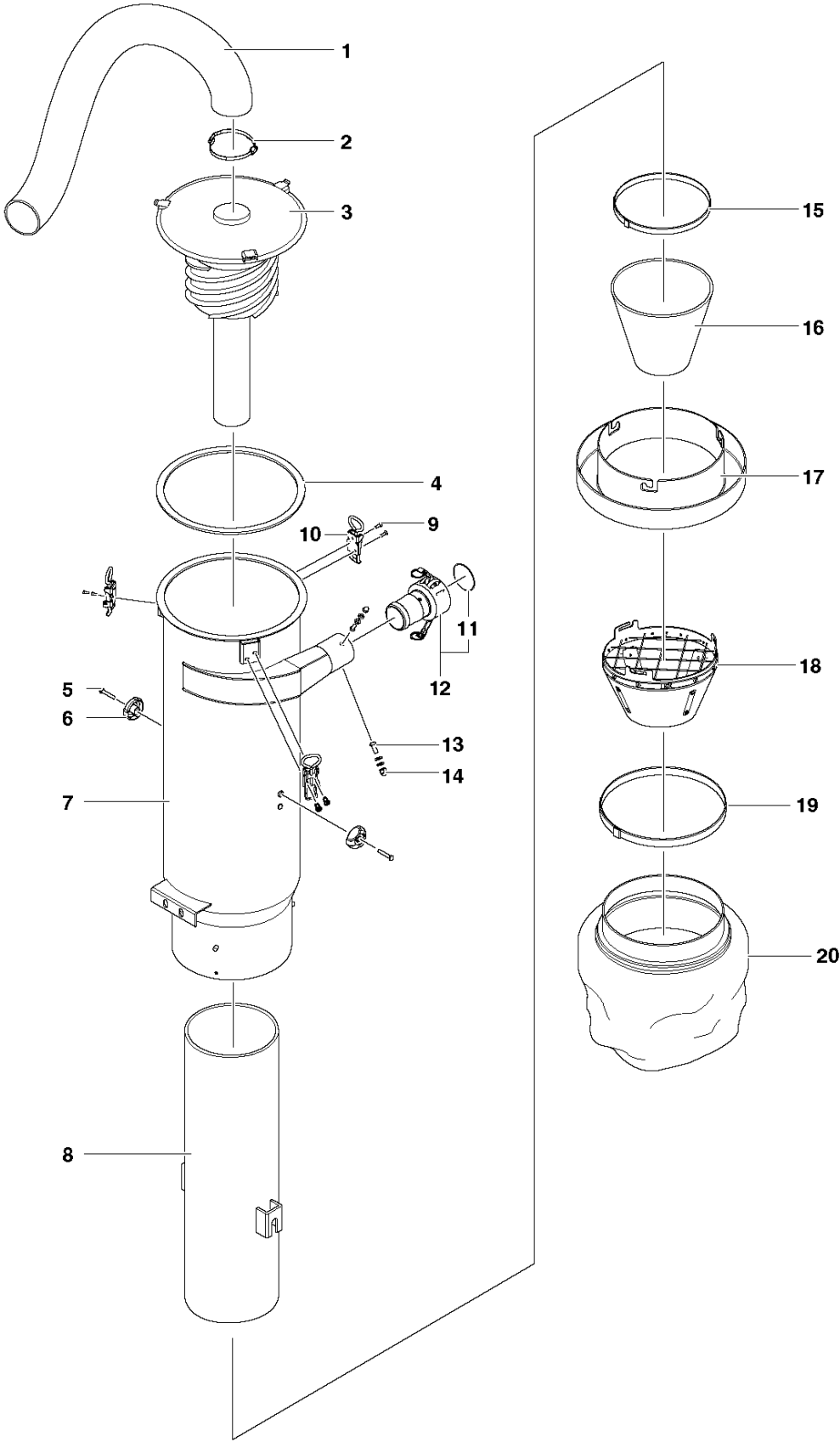


FRAME

DC 6000, 2016-06

Ref	Part No	Description	Remark	QTY KIT
1	579 77 66-01	CLAMP		1
2	589 00 38-01	VALVE		1
3	579 79 51-01	PLATE		1
4	525 57 03-01	GROMMET		1
5	501 85 69-01	PIPE		1
6	584 29 87-01	COIL		1
7	725 23 68-71	SCREW EHHM		3
8	734 11 52-01	WASHER		9
9	725 24 53-71	SCREW EHHM		1
10	579 80 52-01	PLATE		1
11	732 25 18-01	HEXAGON LOCKING NUT		1
12	725 25 46-71	SCREW EHHM		6
13	734 11 78-01	WASHER		6
14	586 73 14-01	CABLE ASSY		1
15	725 24 95-71	SCREW EHHM		2
16	504 75 97-01	HUB CAP		4
17	585 99 23-01	LOOP		1
18	731 23 22-01	HEXAGON NUT		2
19	725 24 61-71	SCREW EHHM		8
20	734 11 63-01	WASHER		9
22	732 25 18-01	HEXAGON LOCKING NUT		8
23	582 20 02-01	FILTER		1
24	582 82 30-01	AIR FILTER	Incl. 23	1
28	731 23 18-01	HEXAGON NUT		1
30	579 81 30-01	TUBE		1
31	579 81 31-01	HOLDER		1
32	585 22 81-01	KNOB		2
33	583 86 72-01	PIPE		1
34	582 18 38-01	WIRE		1
35	582 13 78-01	PIN		2
36	721 68 02-51	SPRING COTTER		2
39	582 13 54-01	GAS SPRING		1
43	732 25 22-01	HEXAGON LOCKING NUT		2
44	582 31 99-01	FILTER		1
46	588 91 43-01	FRAME		1
47	734 11 72-01	WASHER		4
48	588 91 47-01	BEARING		4
49	731 43 20-01	HEXAGON THIN NUT		4
50	584 44 33-01	FILTER	Incl. 44	1

B DC6000
CYKLON

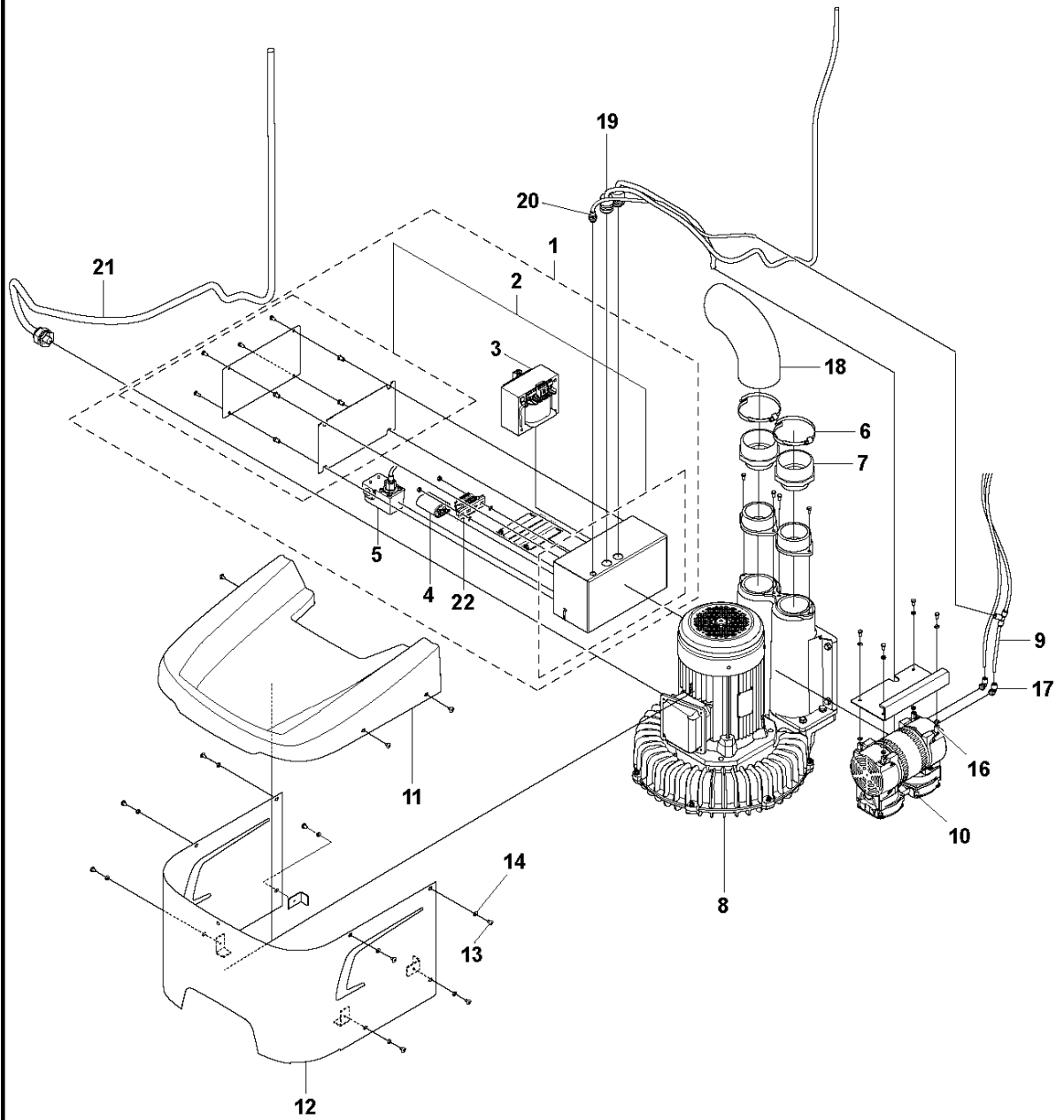


HOUSING

DC 6000, 2016-06

Ref	Part No	Description	Remark	QTY	KIT
1	584 46 95-03	HOSE		1	
2	584 46 94-01	HOSE CLAMP		1	
3	581 56 64-01	FILTER		1	
4	504 76 22-01	SEAL		1	
5	725 24 60-71	SCREW EHHM		2	
6	504 56 93-01	TURNING KNOB		2	
7	583 88 75-01	FILTER		1	
8	734 11 63-60	WASHER		2	
9	724 33 29-51	SCREW CRCSFM		6	
10	582 59 70-01	LATCH		3	
11	502 53 40-05	RUBBER RING		1	12
12	502 56 96-04	COUPLING		1	
13	504 75 02-02	SCREW IHPANM		2	
14	586 58 83-01	CAP NUT		2	
15	583 88 65-01	HOSE CLAMP		1	
16	583 88 63-01	TUBE		1	
17	583 87 62-01	HOLDER		1	
18	582 00 13-01	NET		1	
19	584 61 87-01	STRAP		1	
20	584 65 02-01	BAG		1	

G DC 6000
MOTOR



 **Husqvarna**
DC-6000

MOTOR

DC 6000, 2016-06

Ref	Part No	Description	Remark	QTY KIT	
1	586 06 91-01	ELECTRONIC BOX		1	
1	586 06 91-02	ELECTRONIC BOX		1	
2	586 72 87-01	ELECTRONIC BOX		1	
3	584 29 76-01	TRANSFORMER	CE/AUS	1	
3	584 29 76-02	TRANSFORMER	UL/CSA	1	
4	586 12 81-01	CAPACITOR		1	1
5	584 29 86-01	SWITCH		1	1
6	584 46 94-01	HOSE CLAMP		2	
7	584 41 07-01	ADAPTER		2	
8	583 84 36-01	MOTOR	CE/AUS	1	
8	583 84 37-02	MOTOR	UL/CSA	1	
9	584 39 53-06	HOSE		1	
10	584 29 85-01	MOTOR		1	
11	583 89 08-01	COVER		1	
12	583 90 01-01	SHEET		1	
13	535 42 58-01	SCREW IHPANM		1	
14	734 11 52-60	WASHER		1	
15	577 46 90-01	DECAL		1	
16	584 43 89-01	DISTANCE		4	
17	586 06 85-01	CONNECTION		2	
18	585 21 48-01	TUBE		1	
19	586 22 35-01	CABLE ASSY	EU/AUS	1	
19	586 22 35-02	CABLE ASSY	US	1	
20	584 39 53-01	HOSE		1	
21	586 22 32-01	CABLE ASSY	EU/AUS, incl. Grommet	1	
21	586 22 32-02	CABLE ASSY	US, incl. Grommet	1	
22	586 06 98-02	RAIL		1	