

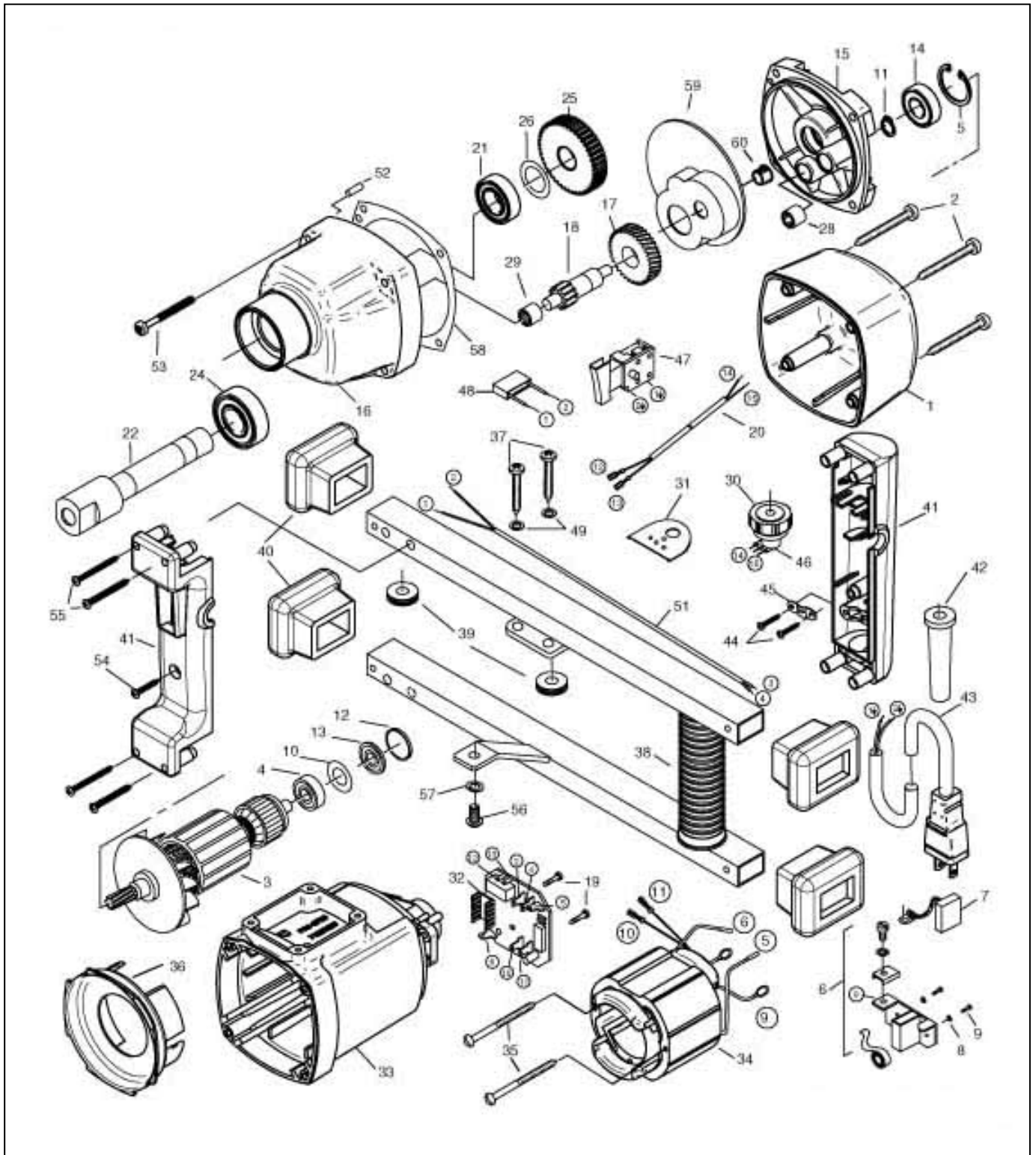
CS UNITEC, INC.

22 Harbor Avenue
Norwalk, CT 06850

Website: www.csunitec.com

Email: info@csunitec.com

Model EHR 20 R - Mixer



Not responsible for typographical errors.

<u>POS. NO.</u>	<u>ITEM NO.</u>	<u>DESCRIPTION</u>	
1	80900182	Cap	
2	80201284	Screw	Replaces 032.0106
3	7731E100	Armature Complete	
4	80410011	Bearing	Replaces 032.0221
5	80201333	Safety Ring 28/1.2	Replaces 050.0166
6	80201196	Carbon Brush Holder	Replaces 050.0371
7	80700013	Carbon Brush	Replaces 050.0147
8	80201385	Spring Disk 34	
9	80201180	Screw CM4x12	
10	82000951	Disk	
11	80201305	Safety Ring	
12	83000036	O-Ring	Replaces 050.0116
13	80701005	Magnet Ring	
14	80410031	Bearing	Replaces 032.0171
15	7132A610	Gear Cap	Replaces 050.0236
16	7731C400	Gear Case	
17	74010470	Intermediate Wheel	
18	7731C490	Gear Shaft	
19	80201252	Screw, Self Tapping	
20	7731B187	Wire	
21	80410043	Bearing 6003	
22	7731C420	Shaft	
24	80410130	Bearing	Replaces 050.0221
25	7731C430	Gear	
26	80200507	Fitting Washer	
28	80420110	Needle Sleeve	Replaces 050.0161(9 1014 0010)
29	80420115	Needle Bearing	
30	80901003	Adjusting Wheel	
31	80901004	Holder for Potentiometer	
32	80601143	Circuit Board 110 Volt	
33	80900092	Motor Housing	
34	7731E150	Field	
35	80201266	Screw	Replaces 032.0156
36	80900286	Air Guiding Ring	
37	80201277	Screw	
38	80200050	Handle	
39	83000051	Cable Grommet	
40	83000052	Rubber Bumper	

CS Unitec, Inc.

22 Harbor Ave, Norwalk, CT 06850

Telephone: 203-853-9522 Toll Free: 800-700-5919 Fax: 203-853-9921

WebSite: www.csunitec.com E-Mail: info@csunitec.com

Not responsible for typographical errors.

<u>POS. NO.</u>	<u>ITEM NO.</u>	<u>DESCRIPTION</u>	
41	80900099	Pair of Handle Halves	
42	83000004	Cable Sleeve	
43	80600085	Cord	
44	80201270	Screw	
45	85000020	Clip	
46	80500020	Speed Dial	
47	80600143	Switch	
48	80500010	Condensor	
49	80201302	Spring Ring	
51	7731B186	Wire	
52	80200582	Notched Pin	Replaces 032.0211
53	80201449	Screw	
54	80201280	Screw	
55	80201267	Screw	Replaces 050.0112
56	80201209	Screw	
57	80201303	Spring Ring	
58	82000054	Seal	
59	80900119	Grease Compartment Barrier	
60	80900201	Hole Stopper	

CS Unitec, Inc.

22 Harbor Ave, Norwalk, CT 06850

Telephone: 203-853-9522 Toll Free: 800-700-5919 Fax: 203-853-9921

WebSite: www.csunitec.com E-Mail: info@csunitec.com