



## Light Towers - Compact Vertical Mast

### Light Towers



### Versatile light towers deliver exceptional lighting

The LTV6 and LTV8 light towers combine the features and performance of traditional light towers in a small footprint. They are ideally suited for illuminating general job sites, site prep, concrete pours, specialty events, parking lots, road work and bridge work. The adjustable vertical mast extends 23 feet and can rotate 360 degrees for optimum lighting flexibility.

- Compact design and foldable tongue allow transportation of up to 18 units on a 48 foot flatbed truck. Additionally, less space is taken up on site and in rental yards.
- Industry leading 750 hour service interval lowers the total cost of ownership.
- Fast set-up times and a 45-gallon fuel tank extends lighting time to over 95 hours.
- Available with either Kohler (KDW1003) or Kubota (D1005 or D1105) engines. All models feature a Mecc Alte generator end.
- Four 1,100 Watt metal halide lights standard, with LED optional, provide lighting for any application.

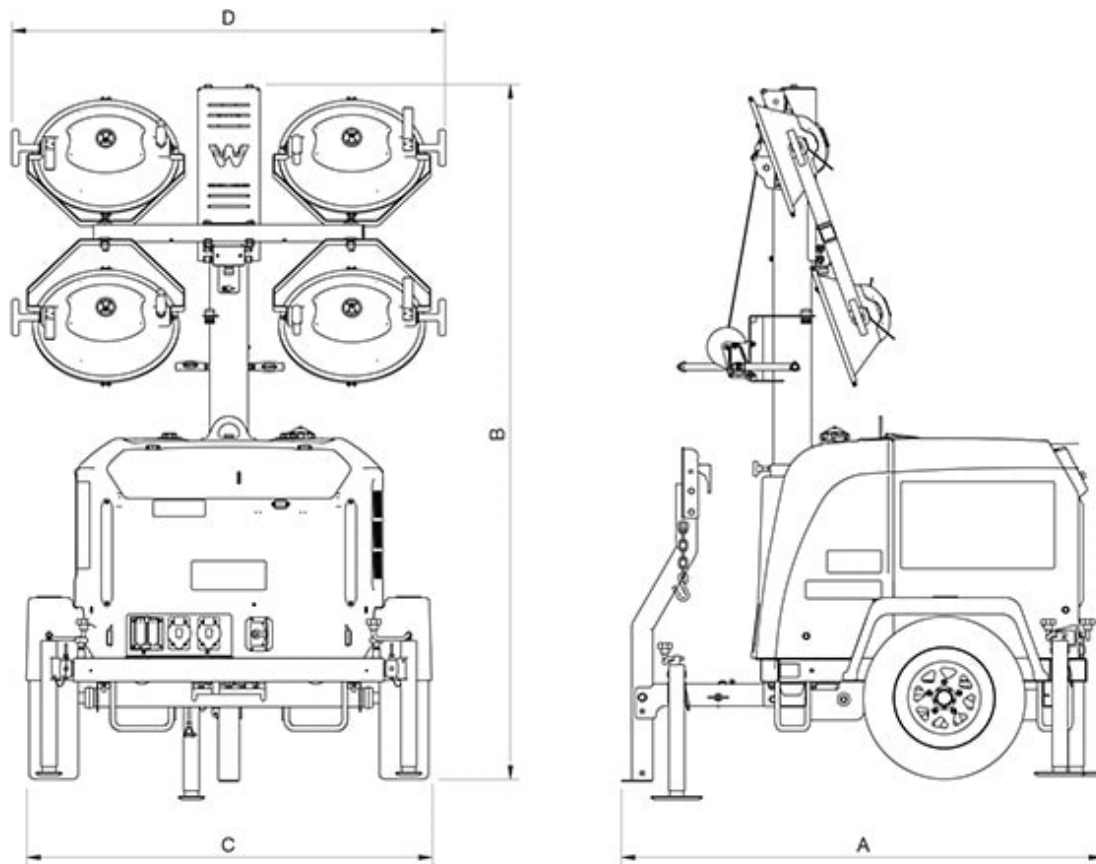


## Technical specifications

	LTV6L	LTV6K	LTV8K
<b>Operating data</b>			
L x W x H in	101 x 58 x 99	101 x 58 x 99	101 x 58 x 99
Operating weight lb	1,760	1,790	1,790
Shipping weight lb	1,430	1,460	1,460
Illumination coverage at 5 fc (54 lux) ft <sup>2</sup>	12,918	12,918	12,918
Lamp type	Metal Halide	Metal Halide	Metal Halide
Mast height ft	23	23	23
Sound level (LwA) at 23 ft (7 m) dB(A)	67.9	68.3	70.1
Power kW	6	6	8
Frequency Hz	60	60	60
Voltage V	120	120/240	120/240
Power factor cos $\Phi$ 1~	1	1	1
<b>Engine / Motor</b>			
Generator model	Brushless	Brushless	Brushless
Generator insulation (class)	H	H	H
Idle to full load %	10	10	10
Voltage control (+/-) %	6	6	6
Engine / Motor manufacturer	Kohler (LDW1003)	Kubota (D1005)	Kubota (D1105)
Engine / Motor type	Liquid-cooled 3-cylinder	Liquid-cooled 3-cylinder	Liquid-cooled 3-cylinder
Fuel type	Diesel	Diesel	Diesel
Displacement in <sup>3</sup>	62.7	61.1	68.5
Operating performance hp	12.2	13.1	15.4
at rpm rpm	1,800	1,800	1,800
Rated performance	ISO 3046 IFN	ISO 3046 IFN	ISO 3046 IFN
Tank capacity (Oil) US qt	4	5.4	5.4
Tank capacity (Fuel) US gal	45.8	45.8	45.8
Fuel consumption (Prime Load) US gal/h	0.72	0.68	0.79
Runtime 100% Prime Load h	60.5	64.3	55.7
Runtime 4 Lights Only h	98.8	104.3	106.8



## Dimensions



A	Length with tongue up	67 in
A	Length with tongue down	101 in
B	Mast height retracted	8.2 ft
B	Mast height extended	23 ft
C	Width with outriggers retracted	58 in
C	Width with outriggers extended	118.5 in
D	Width	62 in



**WACKER  
NEUSON**  
*all it takes!*

**Please note**

that product availability can vary from country to country. It is possible that information / products may not be available in your country. More detailed information on engine power can be found in the operator's manual; the stated power may vary due to specific operating conditions.

Subject to alterations and errors excepted. Applicable also to illustrations.

Copyright © 2018 Wacker Neuson SE.