

SERVICING continued

Belt Removal & Installation

Remove the belt Guard by unscrewing the 8mm and 10mm securing bolts. Slacken off the engine/motor mounting plate bolts and loosen both belt adjusting bolts locking nuts. Unscrew the adjuster bolts (39) to loosen the drive belt, and then slide the toothed belt (34) off the drive pulley (28).

Fit a new belt onto the pulleys as described above.

Adjust the belt tension using the belt adjusting bolts (39) and then tighten the locknut against the engine mounting plate, ensure the belt tension is correct. (Do not over tighten)

Tighten all engine mounting plate bolts and locknuts.

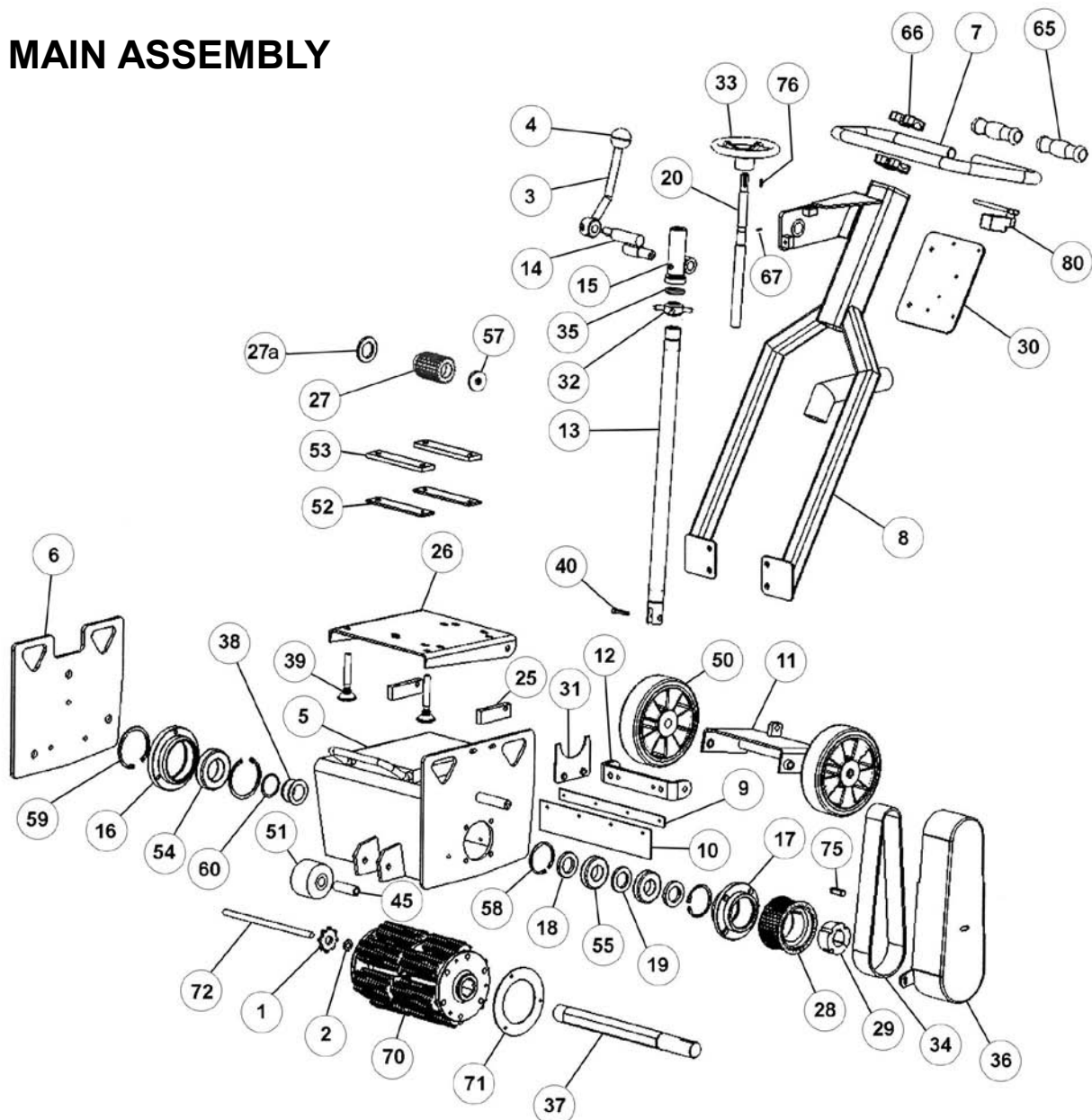
Refit the belt guard (36) and tighten the retaining bolts.

IMPORTANT

Normal slack should be approximately 13mm (1/2") when the belts are depressed in the middle position between the engine/motor pulley and drum pulley.

TFP 260

MAIN ASSEMBLY



Item	Part Number	Description	Item	Part Number	Description
1	320.7009	TCT Cutters (123 req)	45	326.9150	Front Wheel Spacer
		Star Cutters (Not Shown) (342 req)			
	326.5120	Beam Cutters (Not Shown) (332 req)	50	350.9121	Rear Wheel 150mm dia
	320.5680	Milling Cutters (Not shown) (60 req)	51	326.9161	Front Wheel 82mm dia
2	320.4151	Spacers (12mm shafts prior to Nov12)	52	326.9163	Electric Motor Clamping Plate
	320.4160	Spacers (16mm shafts Nov12 onwards) (154req)	53	326.9164	Electric Motor Mounting Plate
3	325.9131	Lift Lever	54	326.9165	Large Bearing (Side Plate Side)
4	325.9170	Lift Lever Ball Knob	55	326.9166	Small Bearing x 2 (Drive Plate Side)
5	326.9100	Cutter Drum Box			
6	326.9101	Side Plate	57	326.9168	Electric Pulley Retaining Washer
7	326.9103	Handle Bar		325.9167	Engine Pulley Retaining Washer
8	326.9105	Handle Assembly	58	814.3205	Circlip x 2 (Drive Side Bearing)
9	326.9106	Dust Skirt Retainer	59	814.3210	Circlip x 2 (Side Plate Bearing)
10	326.9107	Dust Skirt	60	814.3215	Circlip external (Drive Bush)
11	326.9110	Swing Arm			
12	326.9111	Axle Mounting Bracket	65	822.2000	Rubber Grip
13	326.9112	Lift Rod Assembly	66	835.9120	Alloy Clamp
14	326.9113	Lever Quadrant	67	858.1006	Grease Nipple
15	326.9114	Lift Nut			
16	326.9115	Side Plate Bearing Housing	70	326.06DW	Double Web Drum (16mm shafts) (standard fit)
17	326.9116	Drive Side Bearing Housing		326.060G	Grooving drum (16mm shafts)
18	326.9117	Outer Bearing Spacer (2 x required)			
19	326.9118	Inner Bearing Spacer		326.1016DT	Drum D/Web Beam (16mm shafts)
20	326.9119	Lift Rod Shaft		326.1016DS	Drum D/Web Star (16mm shafts)
				326.1016GT	Grooving drum TCT (16mm shafts)
25	326.9121	Block (Engine/Motor Mounting Plate)			
26	326.9125	Engine/Motor Mounting Plate			
27	326.9126A	Electric Motor Pulley			
	326.9126	Petrol Engine Pulley			
27a	326.9127	Petrol Engine Pulley Spacer	71	326.00EP	End Plate (2 x required)
28	326.9128	Drive Pulley	72	326.0010	6 x Cutter Shaft (12mm shafts prior to 26.11.12)
29	326.9129	Taper Lock Bush		326.0016	6 x Cutter Shaft (16mm shafts 26.11.12 onwards)
30	326.9130	Starter Box Mounting Plate			
			75	855.1008	Drive shaft pulley key
32	326.9135	Locking Wheel	76	855.4414	Hand wheel key
33	326.9136	Hand Wheel	77	326.9109	Axle Spacer
34	326.9137	Drive Belt (Electric)			
	326.9137A	Drive Belt (Petrol)	80	345.9805	Deadmans switch
			85	326.9134	Rear Guard (Petrol engine only)
35	326.9138	Thrust Bearing			
36	326.9139	Belt Guard	Not shown in exploded diagram		
				325.9141	8hp Honda Engine
37	326.9140	Drive Shaft		325.9185	415v 3ph 50/60hz Electric Motor
38	326.9140A	Drive Shaft Bush		325.9186	Starter Control Box 380/420v 50/60hz
39	326.9143	Belt adjuster bolt			
40	326.9144	12mm Clevis Pin		853.1725	Honda engine pulley retaining countersunk screw