

# RAPID

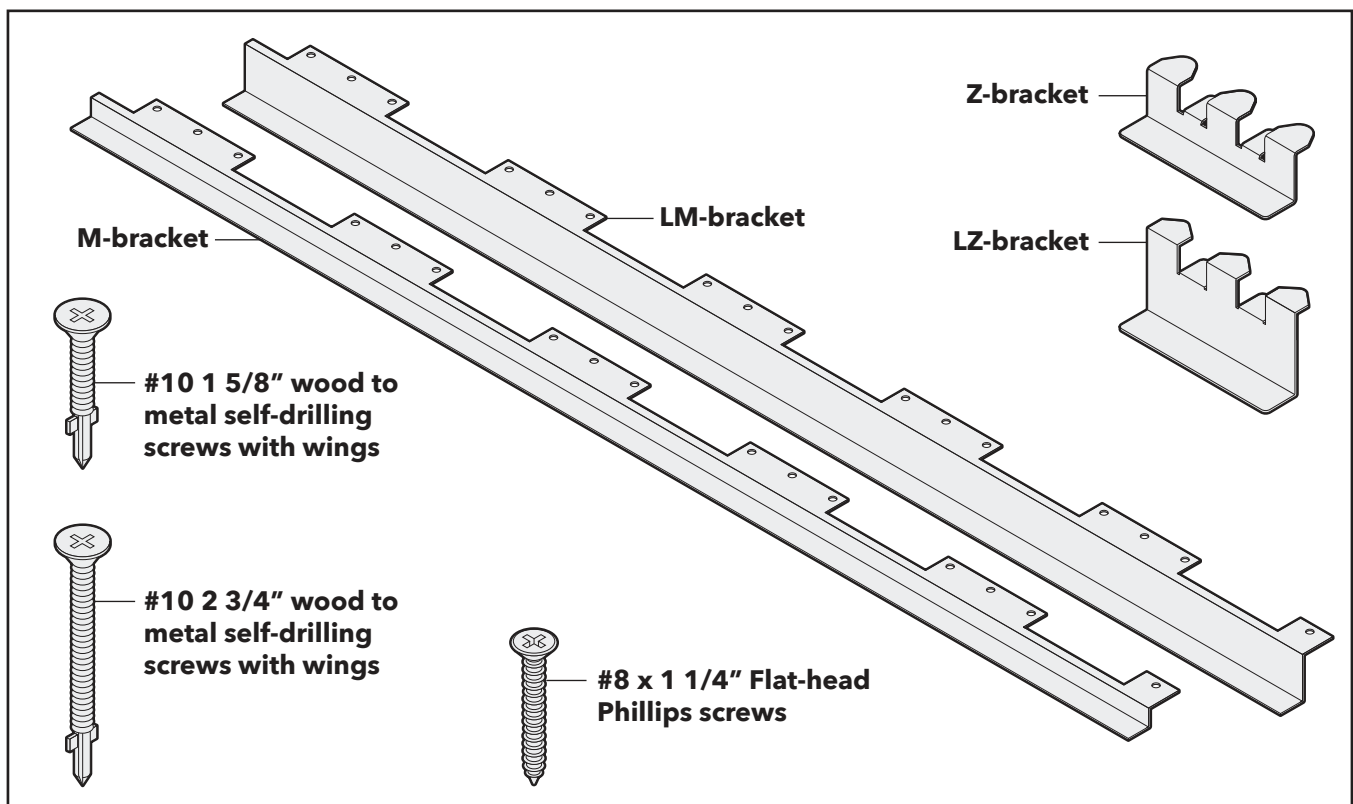
# RECESS

## Model: RR25LDK

### Parts Included

Metal brackets for lowering plywood floors for curbless shower pan, all installation screws

Material: 16 gauge galvanized steel



### Installation Kit Includes

- M bracket—47 3/8" long main bracket fastened to the top of floor joists (x8)
- Z bracket—5" long side bracket used for wall to recess and main floor to recess transitions (x22)
- ML bracket—47 3/8" long main bracket fastened to the top of last floor joist (x2)
- ZL bracket—5" long side bracket used for wall to recess (x8)
- #10 2 3/4" wood to metal self-drilling screws with wings (x40)
- #10 1 5/8" wood to metal self-drilling screws with wings (2 packages of 80 pieces)
- #8 x 1 1/4" Flat-head Phillips screws (x60)

### Testing

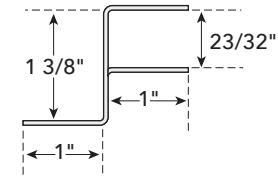
All RR kits and accessories have undergone thorough testing and passed Robinson Test C627 for floor assemblies

# RAPID

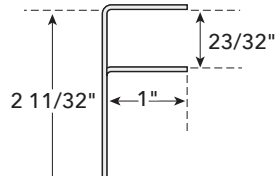
# RECESS

## Dimensions (Z-bracket and LZ-bracket)

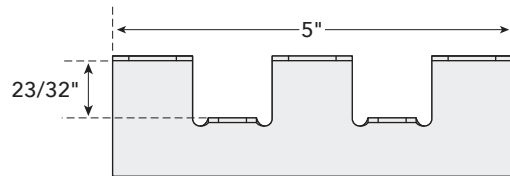
All measurements +/- 1/32"



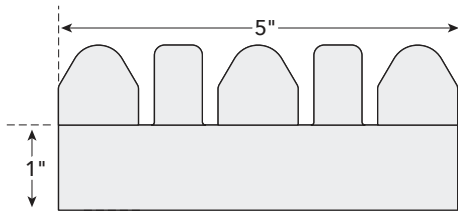
Z-Bracket End View



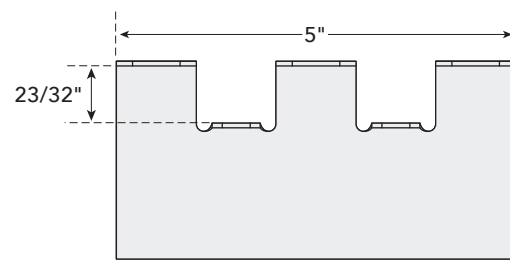
LZ-Bracket End View



Z-Bracket Back View



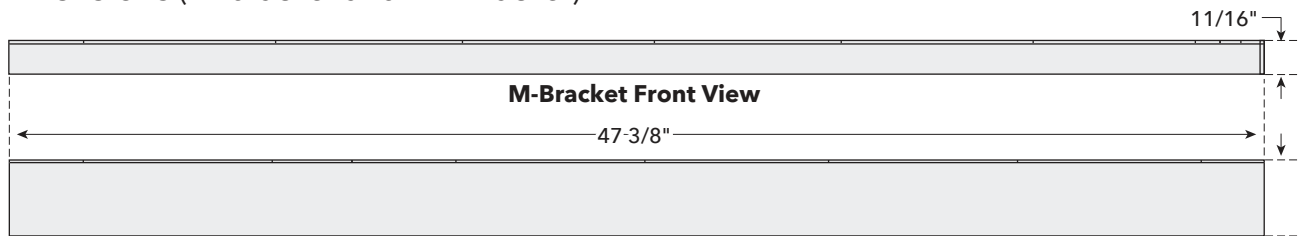
Top View



LZ-Bracket Back View

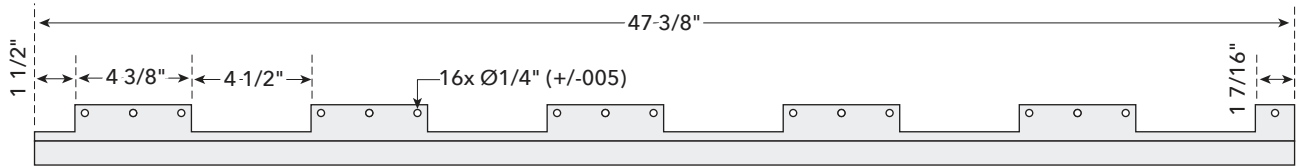
## Dimensions (M-bracket and LM-Bracket)

All measurements +/- 1/32"

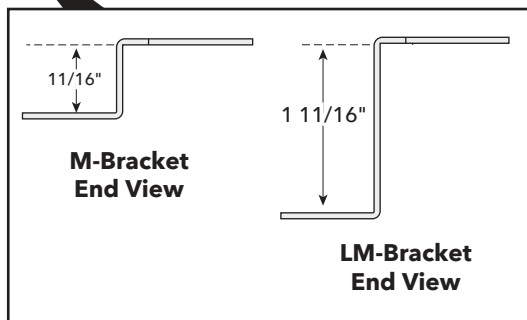


M-Bracket Front View

LM-Bracket Front View

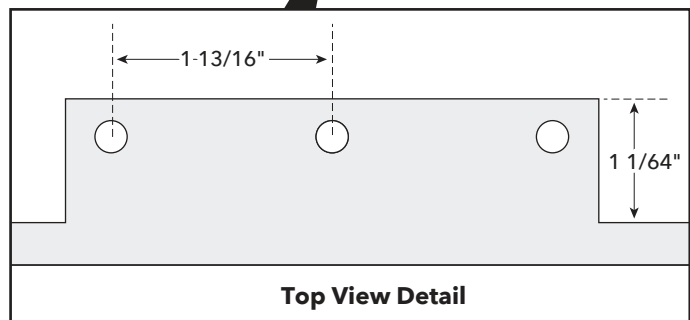


Top View



M-Bracket End View

LM-Bracket End View



Top View Detail

# RAPID

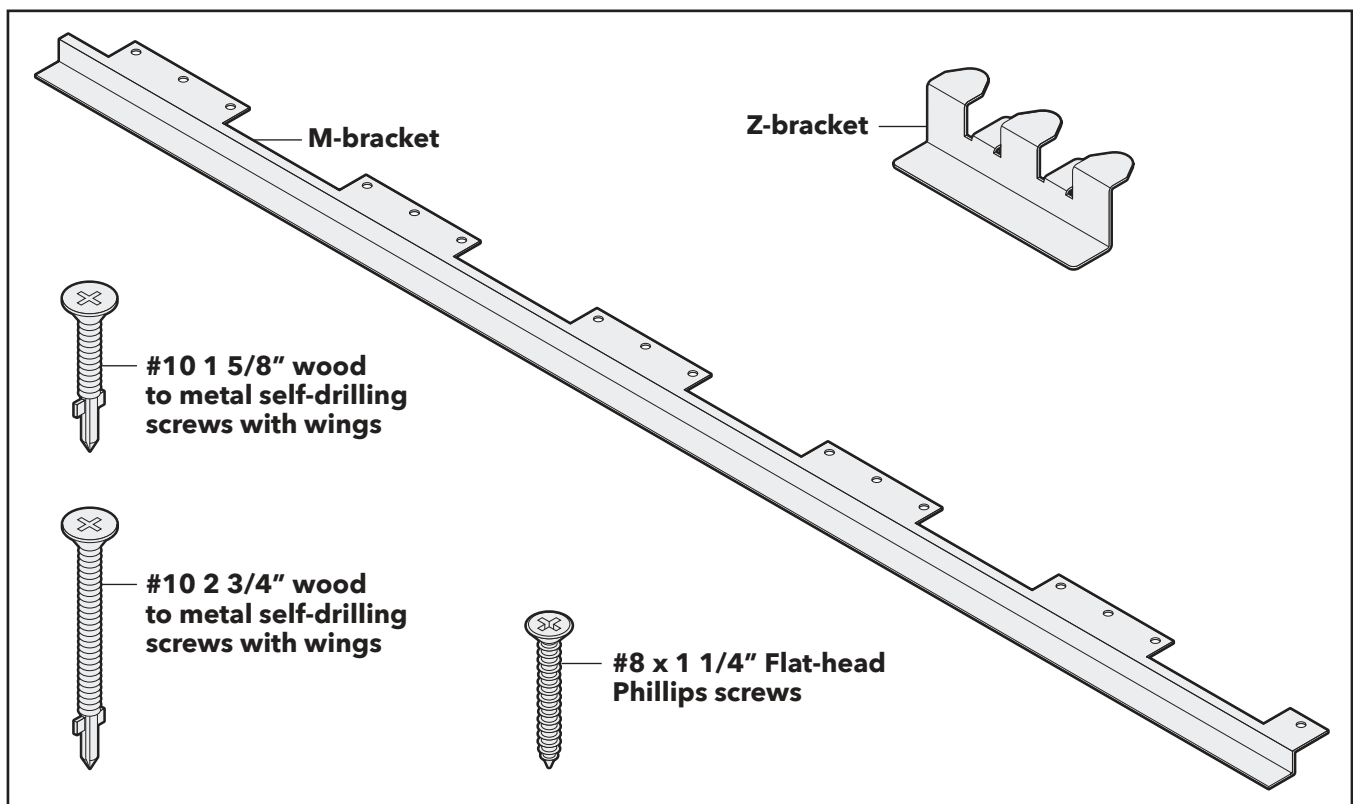
# RECESS

## Model: RR25SF

### Parts Included

Metal brackets for lowering plywood floors for curbless shower pan

Material: 16 gauge galvanized steel



### Installation Kit Includes

- M bracket—47 3/8" long main bracket fastened to the top of floor joists (x10)
- Z bracket—5" long side bracket used for wall to recess and main floor to recess transitions (x30)
- #10 1 5/8" wood to metal self-drilling screws with wings (2 packages of 80 pieces)
- #10 2 3/4" wood to metal self-drilling screws with wings (x40)
- #8 x 1 1/4" Flat-head Phillips screws (x60)

### Testing

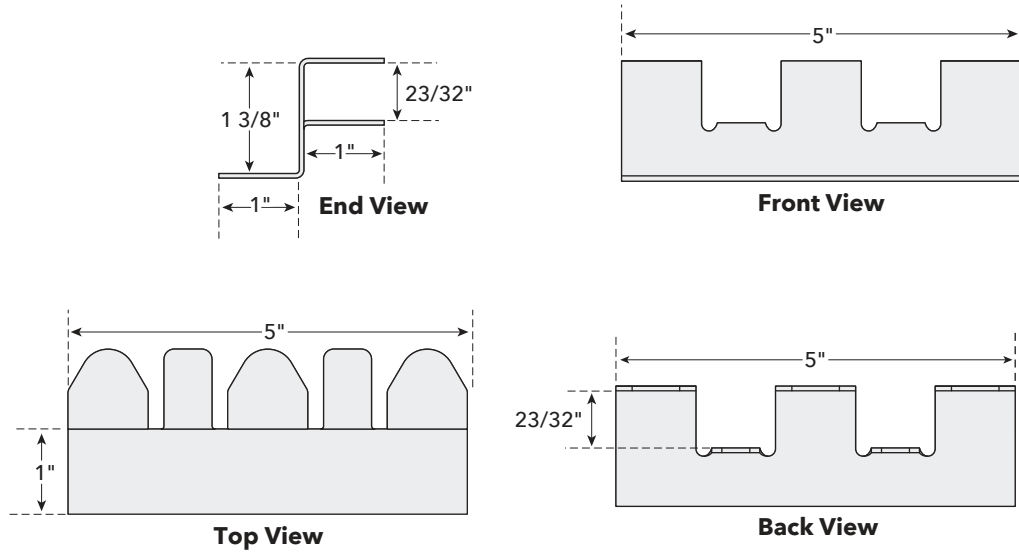
All RR kits and accessories have undergone thorough testing and passed Robinson Test C627 for floor assemblies

# RAPID

# RECESS

## Dimensions (Z-bracket)

All measurements +/- 1/32"



## Dimensions (M-bracket)

All measurements +/- 1/32"

