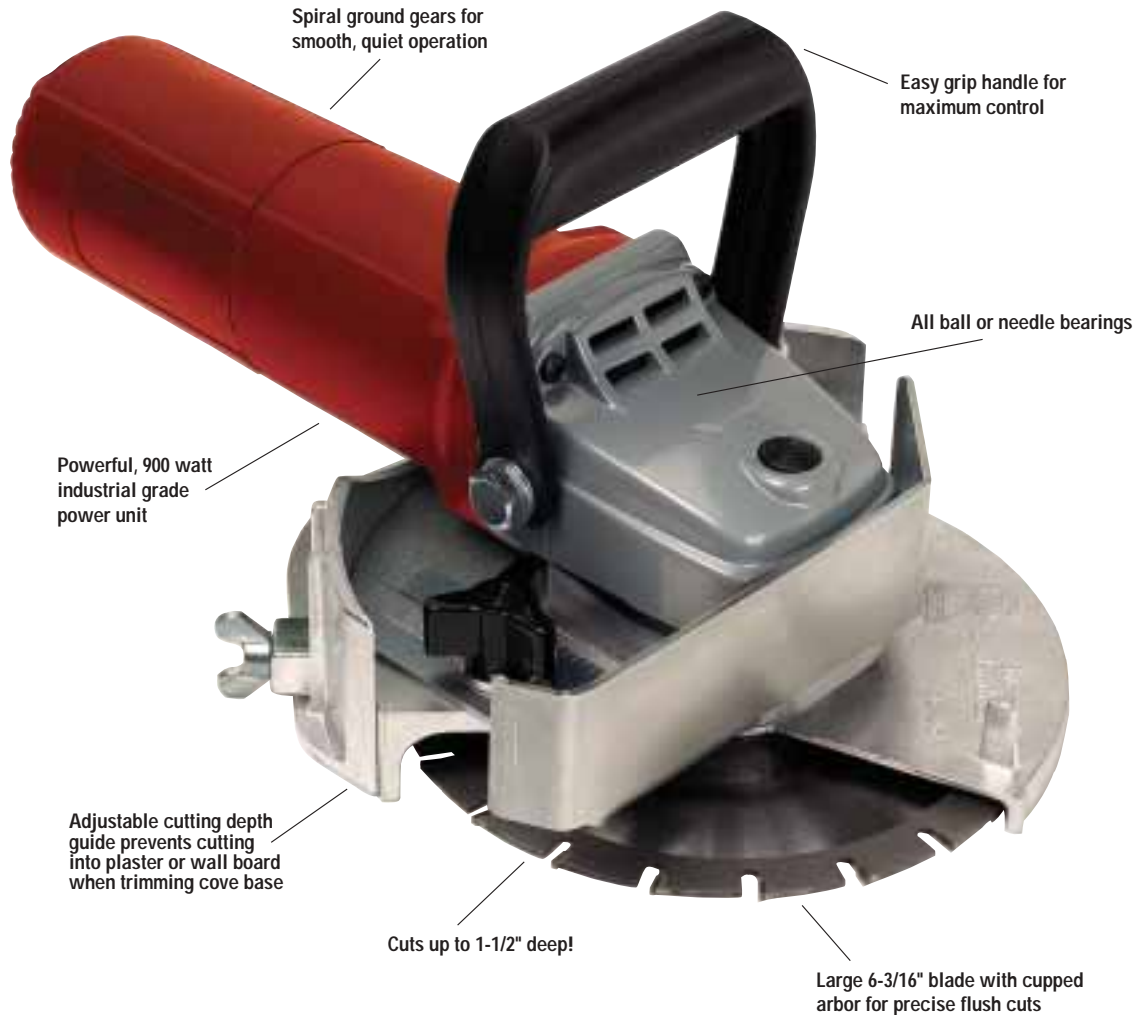




# SUPER SIX 6" Jamb Saw



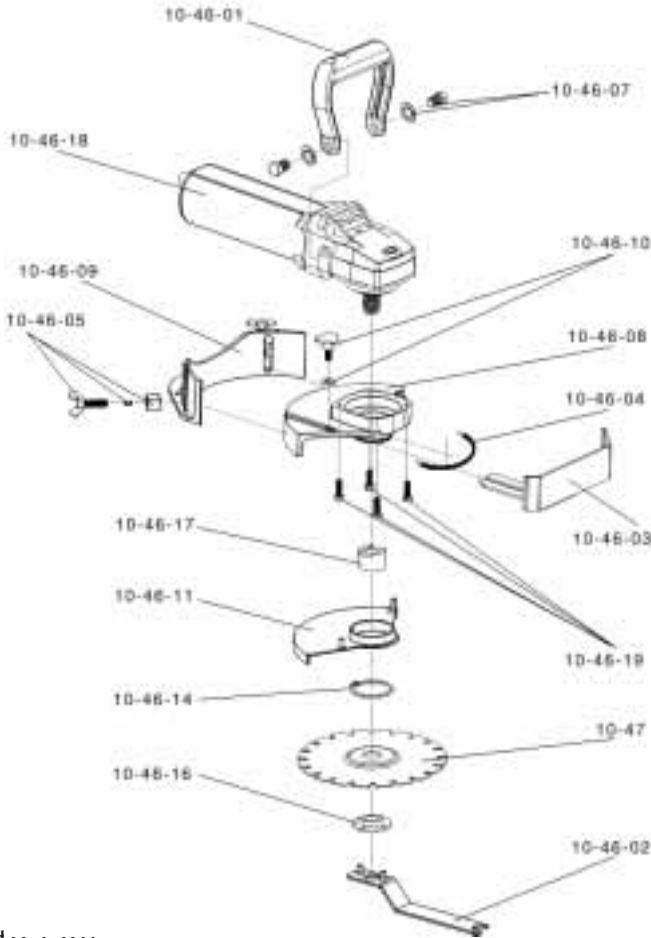
# 10-46

The 10-46 Jamb Saw is a powerful and versatile tool, capable of meeting a wide variety of undercutting needs. With a big 6-3/16" carbide tipped blade, this saw easily cuts door jambs, baseboards, cabinet toe kicks, inside corners and most hanging doors. The blade height adjusts from flush to the floor to 1-1/2" to allow proper heights for all floor coverings, from sheet vinyl up to thick ceramic and wood. As an additional feature, the cutting depth guide is also adjustable to prevent cutting through plaster or wall board when trimming cove base.

*The Roberts Jamb Saw, lowering the cost of commercial carpet installations.*



# SUPER SIX 6" Jamb Saw



## Saw Specifications:

Voltage: 120V-60Hz

AMPS: 7.5 (industrial grade)

RPM: (No load) 7,000

Arbor: 5/8"

Blade Adapter: 20mm

## Kit Includes:

- 10-46 Power Saw Unit
- 6-3/16", carbide tooth "cupped arbor" saw blade
- Spanner wrench for blade retainer
- Spare parts
- Instruction manual
- Custom molded carrying case
- Steel depth guide

## Parts List

# 10-46

Part	Description	Part	Description
10-46-01	Handle	10-46-12	Return Spring (100 bulk pack) (not shown)
10-46-02	Spanner Wrench	10-46-14	Snap Ring
10-46-03	Depth Gauge	10-46-16	Blade Retainer Nut
10-46-04	Return Spring (3 pack)	10-46-17	Arbor Spacer
10-46-05	Screws, Spacers, Spring (2 pack)	10-46-18	Motor Unit
10-46-07	Handle Bolt & Lock Washer	10-46-19	Mounting Screws (4 pack)
10-46-08	Mounting Body	10-46-20	Replacement Switch
10-46-09	Height Adjustment Skirt	10-46-21	Carbon Brushes (2)
10-46-10	Screw Knob, Washer for Depth Gauge	10-47	6-3/16" (158mm) Cupped Arbor, Carbide Tip Saw Blade
10-46-11	Safety Guard		

Roberts Consolidated Industries, Inc. • Boca Raton, FL 33487 • (800) 423 6545 • [www.qep.com](http://www.qep.com)

Roberts Company Canada Ltd.  
PH: (800) 840 9422

Roberts Holland B.V.  
PH: (31) 184 495757

Q.E.P. Australia Pty. Ltd.  
PH: (61) 3 9799 7122

Q.E.P. Co., N.Z., Limited  
PH: (64) 9 415 9700