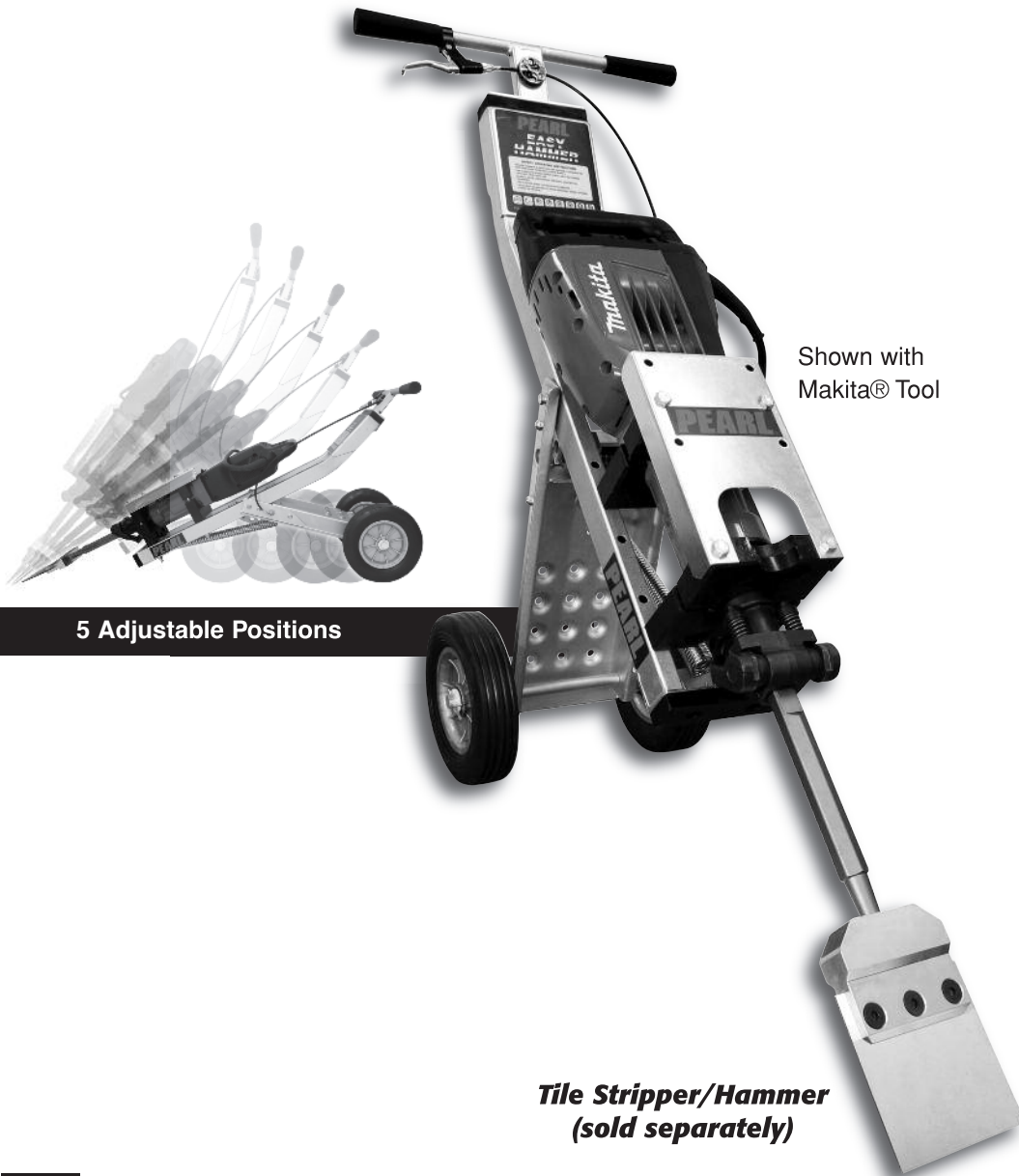


# PEARL®

## EASY HAMMER® MANUAL

### WORKS WELL WITH:

- Bosch® 11335K
- Milwaukee® 5337-21
- Makita® HM1317CB/HM1307CB
- Hitachi® H65SD2
- Dewalt® D25960K



Shown with  
Makita® Tool

5 Adjustable Positions

*Tile Stripper/Hammer  
(sold separately)*

REV.2

PEARL ABRASIVE CO. - EASY HAMMER® TROLLEY

# **EASY HAMMER®**

## **TABLE OF CONTENTS**

<b>INTRODUCTION</b> .....	<b>3</b>
Key Terms .....	3
Disclaimer .....	3
<b>PRODUCT INFORMATION</b> .....	<b>4</b>
Safety Information .....	4
Safety Stickers .....	4
Warranty .....	5
Product Description and Specifications .....	5
<b>INSTRUCTIONS FOR USE</b> .....	<b>6</b>
STEP 1 - Fitting A Jack Hammer .....	6-7
STEP 2 - Using the Hammer Trolley .....	8
STEP 3 - Servicing the Hammer Trolley .....	8
<b>APPENDIX</b> .....	<b>9</b>
Parts Breakdown .....	9
Block Set Part Selection .....	10
Servicing Information .....	11
Jack Hammer Manual (When Purchased) .....	11

# EASY HAMMER®

## INTRODUCTION

This manual is designed to provide the user with the information required to operate and maintain the Easy Hammer® Trolley correctly and safely.



**CAREFULLY READ AND FOLLOW ALL INSTRUCTIONS PROVIDED BY THE EASY HAMMER® MANUFACTURER.**

### KEY TERMS



#### 1. READ CAREFULLY:

Refers to important information that should be paid careful attention.



#### 2. CAUTION:

Indicates a situation that may cause injury or damage to the machine if the user does not follow the instructions.



#### 3. WARNING:

Indicates a situation that may cause injury or death if the user does not follow the instructions correctly.



#### 4. DANGER:

Indicates a situation that will cause injury or death if the user does not follow the instructions as written.



#### 5. PROHIBITED:

Identifies actions that should never be carried out by anyone interacting with the machine.

### DISCLAIMER

PEARL®, and its affiliates, takes no responsibility for any damage, injury or death resulting from the incorrect or unsafe use of this machine. Use of this machine should be undertaken by competent persons only. It is the operators' responsibility to ensure that the following safety procedures are followed.

# PRODUCT INFORMATION

Throughout this document there are several safety warnings. The user should read through this complete document before using the Easy Hammer® Trolley.

## SAFETY INFORMATION



### 1. READ CAREFULLY:

Ensure you read all information contained in this manual before using the Easy Hammer® Trolley.



### 2. READ CAREFULLY:

Ensure you read the manual and safety instructions for the Jack Hammer and other components that are part of this unit. See Appendix for more information.



### 3. DANGER:

Always wear the recommended personal protective equipment.



### 4. PROHIBITED:

Never expose the machine to moisture or rain.

There is a safety and information panel provided on the front of the Easy Hammer® Trolley to alert the user of potential safety risks/hazards. Please read and adhere to all instructions on the Unit.

## SAFETY STICKERS



### 1. PROHIBITED:

It is forbidden to remove any safety or instructional stickers or panels from the Easy Hammer® Trolley.



### 2. READ CAREFULLY:

Read all safety and instructional stickers displayed on each component of the Easy Hammer® Trolley.

**PEARL**  
WWW.PEARLABRASIVE.COM • 800-969-5561

# EASY HAMMER

**SAFETY OPERATING INSTRUCTIONS**

- ENSURE HAMMER IS SWITCHED OFF BEFORE PLUGGING IN OR DISCONNECTING FROM MAIN POWER SUPPLY.
- USE A DEDICATED MAIN POWER SUPPLY WITH EXTENSION LEAD NOT EXCEEDING 10M.
- ALWAYS WEAR APPROPRIATE PERSONAL PROTECTIVE EQUIPMENT.
- USE CAUTION WHEN CHANGING ATTACHMENTS.
- TAKE REGULAR BREAKS TO AVOID PERSONAL INJURY, STRESS, STRAIN OR FATIGUE.

28kg Heavy  
Lead Length 10m  
Read Manual  
Hands Clear  
Wear Eye Protection  
Wear Breathing Protection  
Wear Hearing Protection  
Keep Grounded

Large Label

**PEARL**  
WWW.PEARLABRASIVE.COM • 800-969-5561

Medium Label

**PEARL**  
WWW.PEARLABRASIVE.COM • 800-969-5561  
SERIAL NUMBER [ ]

Small Label

## WARRANTY

1. PEARL® provides a Limited One Year Warranty that applies to Easy Hammer® Trolley only (this excludes the Jack Hammer and any other attachments and consumables).
2. Warranty does not cover wear and tear, breakage, misuse or theft. Warranty coverage is at the manufacturer's discretion.
3. Any unauthorized repair or part replacement will void warranty. Refer to manufacturer for all repairs.
4. Regular service must be carried out by competent persons only; failure to comply will void warranty.
5. Jack Hammer (where purchased) is to be covered by original manufacturer. See appendix.
6. Warranty does not cover consumables. Warranty does not cover attachments.

## PRODUCT DESCRIPTION AND SPECIFICATIONS

The versatile Easy Hammer® packs a punch, saving you a lot of hard work and effort. Let the Easy Hammer® take the workload off your back!

No more struggling or bending trying to handle heavy hammers, the Easy Hammer® takes the pain out of demolition and renovation.

The Easy Hammer® enables your demolition hammer to lift most types of linoleum and tile, break rocks and blocks, crack concrete and sandstone, all with a minimum of effort.

With a wide range of angles the Easy Hammer® adapts to any situation with maximum leverage.

### FEATURES

- Durable zinc-coated frame
- Angle adjustment – with huge angle range
- Choice of popular brand hammers; will suit most hammers
- Anti-vibration ergonomic design
- Large wheels

TABLE 2: #PA01HT Product Specifications

<b>HEIGHT WHEN RAISED</b>	1100mm / 43.3"
<b>HEIGHT WHEN LOWERED</b>	600mm / 23.6"
<b>OVERALL WIDTH</b>	510mm / 20.1"
<b>OVERALL LENGTH</b>	1100mm / 43.3"
<b>ANGLE OF ADJUSTMENT</b>	73° (93° closed) (20° open)
<b>WEIGHT (WITHOUT JACKHAMMER)</b>	28kg / 61.8lb

# INSTRUCTIONS FOR USE



**DO NOT OPERATE THE EASY HAMMER WITHOUT WEARING THE APPROPRIATE PERSONAL PROTECTIVE EQUIPMENT AND ASSESSING THE SURROUNDING AREA FOR HAZARDS.**

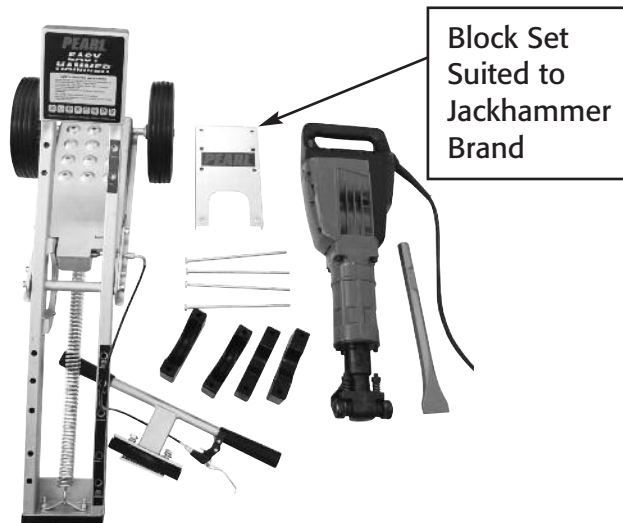
## STEP 1 - FITTING A JACK HAMMER

### Tools Required:

- 17mm / 5/8" socket
- 19mm / 3/4" socket
- Phillips head screwdriver
- Shifter
- Pliers

### Instructions:

1. You should have the parts pictured below:



(Jackhammer sold separately)

2. Attach the handle to the frame with the two mounting bolts provided.



3. NOTE – for Block Set details refer to **APPENDIX B.**

Lower trolley to its lowest position and support the end to hold the frame level, then place the base blocks on the frame. Place the jackhammer on top of the base blocks. Ensure the attachment lock on the jackhammer is facing out, as shown in the picture below:



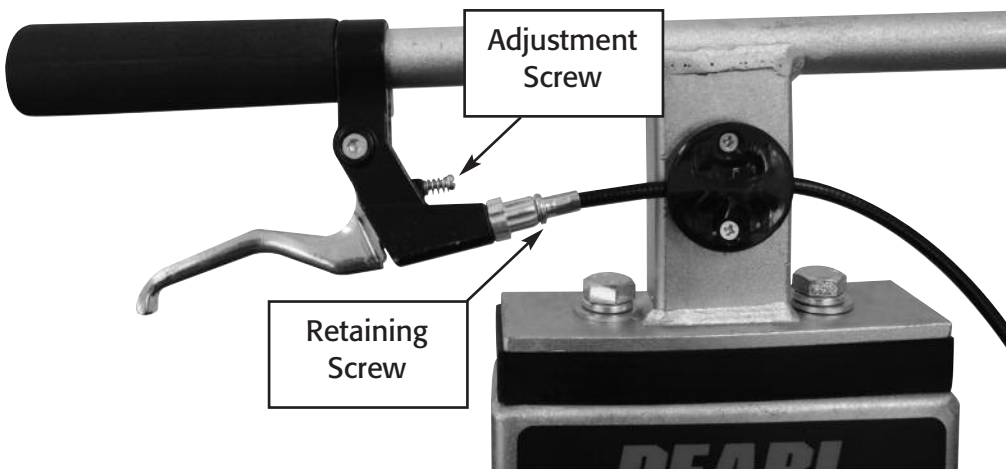
4. Place top blocks and the cover plate on top of the jackhammer and tighten the supplied bolts until they are snug.



5. Mount the jackhammer shank; see jackhammer user manual for details.



#### Brake Lever Adjustment:



#### Instructions:

1. Ensure cable is not kinked anywhere along its length.
2. Tighten retaining screw with pliers.
3. Tighten adjustment screw to remove slack from the cable. Note that some slack in the mechanism is normal.

# INSTRUCTIONS FOR USE (Cont.)



**ENSURE THE MACHINE IS SWITCHED OFF BEFORE PLUGGING IN.**



**ENSURE MOIL IS CORRECTLY INSERTED AND LOCKED IN POSITION BEFORE USE.**

## STEP 2 - USING THE HAMMER TROLLEY

### Instructions:

1. Ensure Hammer is secure in clamping mechanism and cannot rotate.
2. Position and angle before commencing work.

To change angle - lift handles to take weight off lock mechanism then pull the brake lever to disengage the lock mechanism. Lift or lower the height of the handles to achieve the desired angle of jackhammer then release brake lever to reengage the lock mechanism.

3. Never allow Hammer ormoil to overheat.
4. Switch on with trigger.
5. Lock into position with trigger lock.
6. Refer to Hammer Instruction Manual for more detail on operation and service.



**ALWAYS SWITCH OFF MACHINE BEFORE UNPLUGGING.**

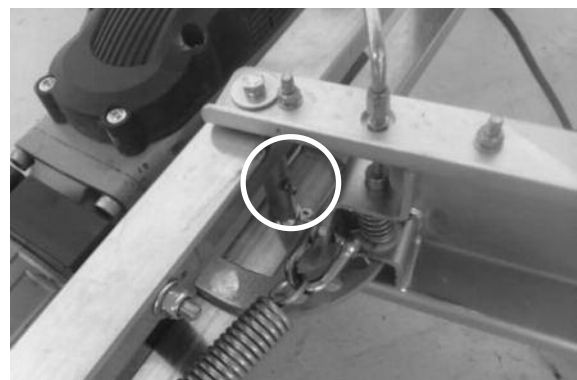
## STEP 3 - SERVICING THE HAMMER TROLLEY

### Every Use:

1. Inspect frame for damage
2. Ensure bolts are secure

### Every 6 Months:

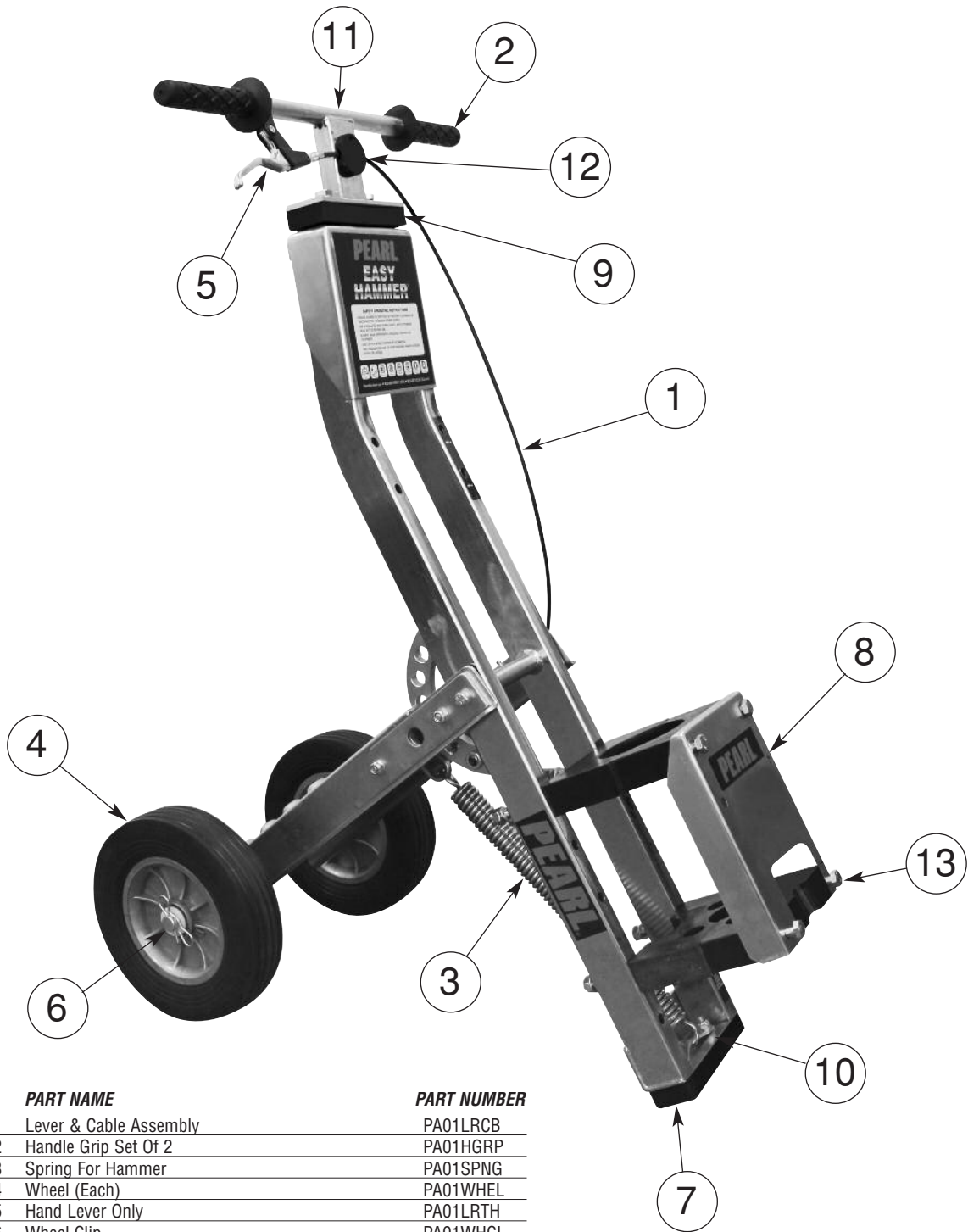
1. Adjust brake lever to eliminate free-play
  - See page 7 for details
2. Lubricate brake lever cable
  - Drip oil from the top of the cable so it runs through the cable housing
  - Use light weight oil; grease or heavy oil will clog the cable housings
3. Grease the pivot axle
  - Use a grease gun and apply grease until excess starts to leak out. See picture below for location of grease nipple.





# APPENDIX A - PARTS BREAKDOWN

For part numbers and specifications please see below.



PART NAME	PART NUMBER
1 Lever & Cable Assembly	PA01LRCB
2 Handle Grip Set Of 2	PA01HGRP
3 Spring For Hammer	PA01SPNG
4 Wheel (Each)	PA01WHEL
5 Hand Lever Only	PA01LRTH
6 Wheel Clip	PA01WHCL
7 Resting Block	PA01LOWBL
8 Complete Block Set Makita	PA01BLMK
9 Handle Buffer Block	PA01BUFBLK
10 Spring Bracket Lower	PA01SPGBRK
11 Handle Frame Weldment	PA01HDLBAR
12 Cable Clip	PA01CABCL
13 Bolt 3/8-16x10 SCS Allen	PA01BOLT

# APPENDIX B

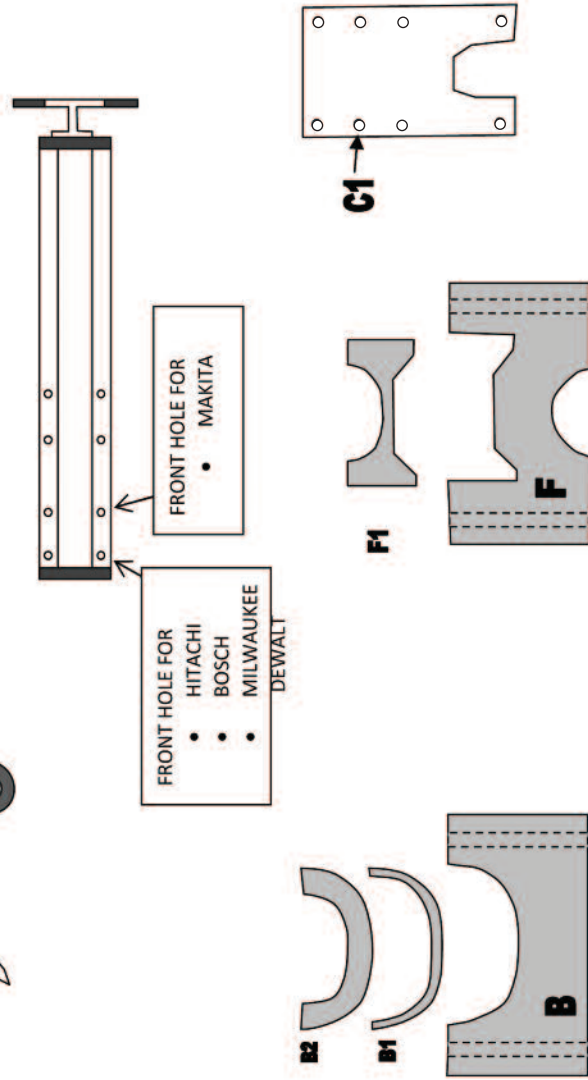
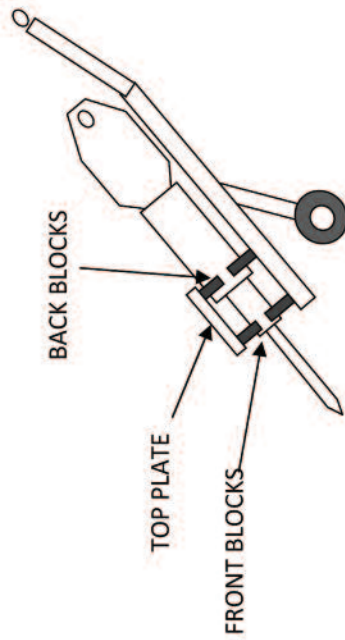


# EASY HAMMER® BLOCK INSTRUCTIONS



Easy Hammer

	BACK BLOCK SET	FRONT BLOCK SET	TOP PLATE
BOSCH USA	B + B1	F only	C1
DEWALT	B + B1	F only	C1
HITACHI USA	B + B2	F only	C1
MAKITA	B only	F + F1	C1
MILWAUKEE	B + B2	F only	C1



BACK BLOCKS

FRONT BLOCKS

# APPENDIX C - SALES AND REPAIRS

For sales and spare parts please see below.

---

## CUSTOMER SERVICE

### AFTER SALE SERVICE

All customer service (technical questions, re-order of parts, etc.) will be provided by our company. All spare parts for after sales service will be stocked and shipped from our warehouse. If requested, we may arrange for our sales representatives to hold a training class for product knowledge at dealer's location.

## HOW TO ORDER PARTS

Please have the following information ready before calling:

- **Serial Number**
- **Model Number**
- **When purchased and where**
- **Part Description**

All parts listed may be ordered from your Local warehouses. If the part is not stocked locally, call our Corporate office and ask for our Customer Service Department. For Technical Support call **1-800-969-5561**. There is a \$25.00 minimum order.

Return Policy: Return goods for credit or exchange on the basis of the following terms: **(1)** They must be current products; **(2)** Items returned for replacement or refund should be in original cartons and must be accompanied by a packing slip with the following information: Returned Goods Authorization (RGA) number obtainable from Customer Service Department • List of items returned • Reason(s) for return(s) • Copy of original invoice(s); **(3)** Freight charges must be assumed by sender; **(4)** Returning goods are subject to a 15% handling charge to cover our cost of repackaging and restocking. All Prices are subject to change without notice.

Disclaimer: Pearl Abrasive Co. reserves the right to make changes or improvements on its products without incurring an additional obligation including any obligation to make corresponding changes or improvements to products previously manufactured or sold. Pearl reserves the right to discontinue products at any time without notice.

All illustrations displayed in this manual are the property of Pearl Abrasive Co. and shall not be duplicated or reproduced without the express written consent of Pearl Abrasive Co.



---

## APPENDIX D - JACK HAMMER MANUAL

Jack Hammer manual will be provided with Jackhammer purchase.

# **EASY HAMMER®**

# **PEARL®**

**CORPORATE OFFICE: SO. CALIFORNIA • USA**  
6832 E. SLAUSON AVENUE, COMMERCE, CA 90040-0031  
562-927-5561 • FAX 562-928-3857

**800-969-5561**

**PEARLABRASIVE.COM**

**GEORGIA • USA**  
4963 SOUTH ROYAL ATLANTA DRIVE  
TUCKER, GA 30084-3006

**ONTARIO • CANADA**  
375-2 PIDO ROAD  
PETERBOROUGH, ONTARIO K9J-6X7