

# Noble Niches

Preformed Recesses

[www.noblecompany.com](http://www.noblecompany.com)



## Shower Niches

*The fastest, easiest way to create a recessed shelf in your shower, steam room, kitchen, or hallway. Lightweight and ready-to-tile, Noble Niches install in minutes without penetrations of the Niche. Entirely waterproof, eliminates the risk of leaks, mold, rot, or fungus growth.*

### BENEFITS

- Mounts flush in 2" x 4" stud with 1/2" Backer Board
- No outside flanges to feather-in
- Sized for better tile fit
- Available in a wide variety of sizes and styles
  - Full Noble Niche collection on back
- Niches do not need to be attached to wall studs
- Installs in minutes
- Waterproof
- Seamless – will not leak
- Ready-to-tile
- Durable
- Lightweight
- Custom sizes and shapes available (min. qty. 50 units)





## INSTALLATION\*



Mark and cut area for Niche



Apply silicone to backing



Insert Niche, caulk, and tile

\*NOTE: Read complete instructions before installing.

Visit our website for complete in-depth instructions, diagrams, and how-to videos on all Noble products.

[www.noblecompany.com](http://www.noblecompany.com)

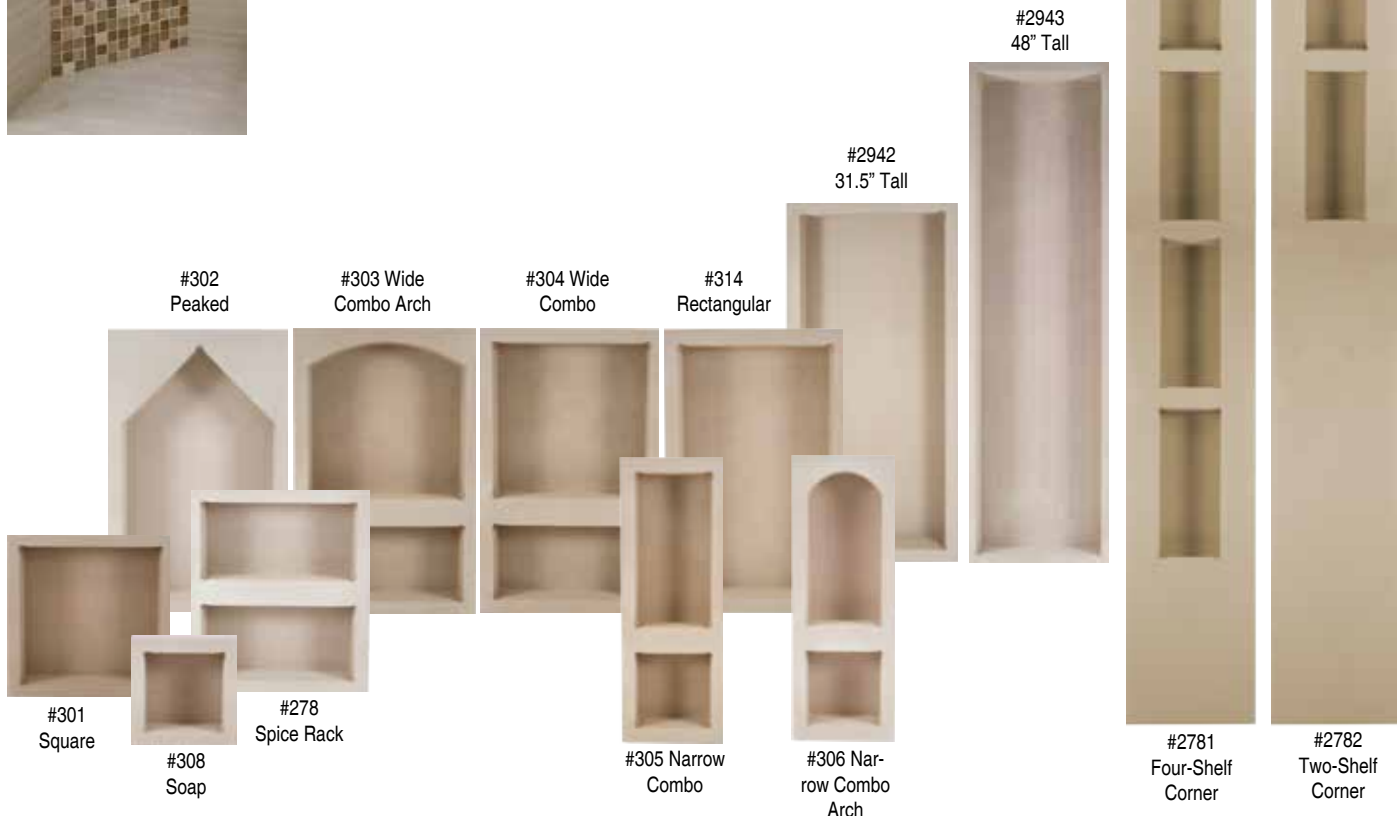


## Noble Niches

Noble Company produces products that make shower installations easier and faster – saving installers time and money.

Visit [www.noblecompany.com](http://www.noblecompany.com) to find:

- Product Dimensions
- Specifications
- CAD Drawings
- Installation Instructions
- Video Demonstrations
- Installation Ideas



# Noble Niche

## Installation Instructions

www.noblecompany.com

### Noble Niche Installation Instructions

---

#### 1. GENERAL INFORMATION

- 1.1 Noble Niches are made from high density, extruded polystyrene (XPS) and coated with an acrylic polymer finish. Noble Niches are waterproof and ready-to-tile. They are lightweight, durable and are not a food source for fungus and mold. Four inches thick and designed for 2" x 4" walls with 1/2" backer board.

#### 2. TOOLS & MATERIALS

- 2.1 **TOOLS:** Saw (for cutting backer board).
- 2.2 **MATERIALS:** Backer board tape or appropriate waterproofing membrane, and 100% silicone sealant.

#### 3. PLANNING & INSTALLATION

- 3.1 R-value of niche is approximately 2.5. In cold climates, this may not be suitable for exterior walls.
- 3.2 Determine desired height of Niche.
- 3.3 Draw a level line between studs at the desired height location. Place Niche on level line, trace outside edge accurately.
- 3.4 Cut and remove panel.
- 3.5 Use 100% silicone sealant to adhere Niche to back wall.
- 3.6 Seal joints between Niche and backer board using 100% silicone sealant. Silicone should not be smeared over the face of the Niche or backer board.
- 3.7 Tape joints with backer board tape or bond appropriate waterproofing membrane to walls and overlap joints.
- 3.8 Install tile using latex modified thin-set according to TCNA guidelines.

### Noble Corner Niche Installation Instructions

---

#### 1. GENERAL INFORMATION

- 1.1 Noble Corner Niches are made from high density, extruded polystyrene (XPS) and coated with an acrylic polymer finish. Noble Corner Niches are waterproof and ready-to-tile. They are lightweight, durable and are not a food source for fungus and mold.

#### 2. TOOLS & MATERIALS

- 2.1 **TOOLS:** Square notch trowel (1/4" x 1/4").
- 2.2 **MATERIALS:** Mortar mix, latex modified thin-set, and 100% silicone sealant.

#### 3. PLANNING & INSTALLATION

- 3.1 Shower should be waterproofed in accordance with Tile Council of North America (TCNA) guidelines and all applicable codes prior to installation of Niche.
- 3.2 Ensure that the walls where the Corner Niche is to be installed are square and plumb.
- 3.3 Apply a latex modified thin-set to the walls behind and to the floor under the Corner Niche. Use a 1/4" x 1/4" square notch trowel.
- 3.4 Slide the Corner Niche into the thin-set. Flatten the ridges with firm pressure.
- 3.5 Ensure that there is complete coverage of the thin-set.
- 3.6 Repeat steps 3.3 - 3.5 for the top section of the Corner Niche. Ensure that thin-set is applied between the top and bottom sections.
- 3.7 Once the Corner Niche is installed, use 100% silicone sealant to seal all joints where the Corner Niche meets the walls. Do not seal where the Corner Niche meets the floor.
- 3.8 Install tile using latex modified thin-set according to TCNA guidelines.

**NOTE:** For any situation not specifically covered, contact Noble Company's Technical Department at 1-800-878-5788, before proceeding. Follow TCNA Guidelines.

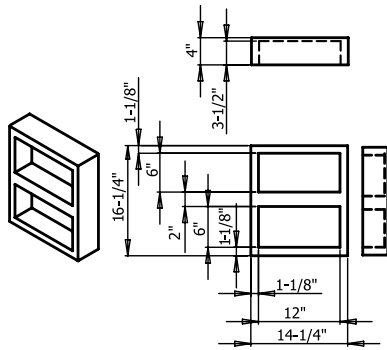


VIEW PRODUCT DETAILS  
AND DIAGRAMS ONLINE

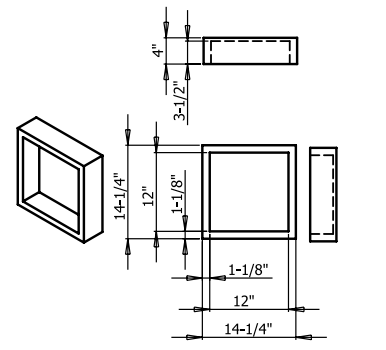


NOTE: Actual dimensions may vary +/- 1/8".

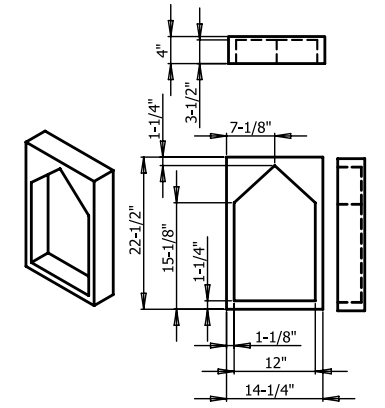
#278 Spice Rack Niche



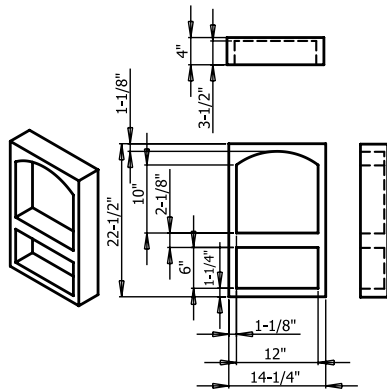
#301 Square Niche



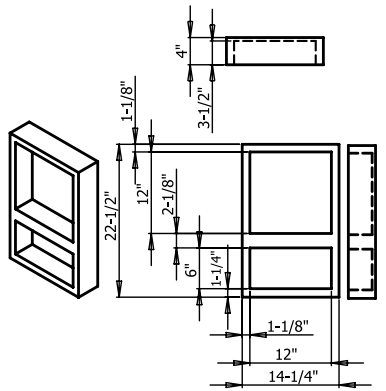
#302 Peaked Niche



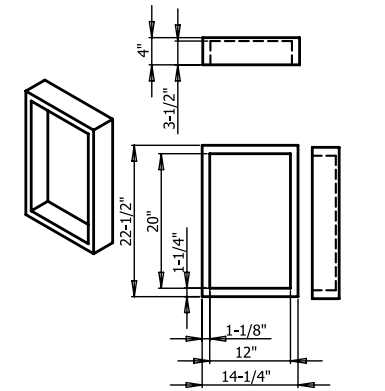
#303 Wide Arch Combo Niche



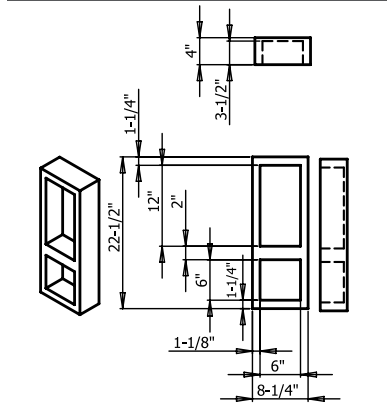
#304 Wide Combo Niche



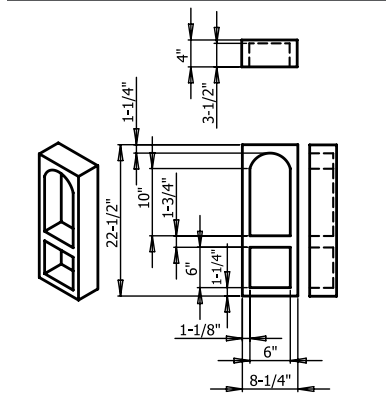
#314 Rectangular Niche



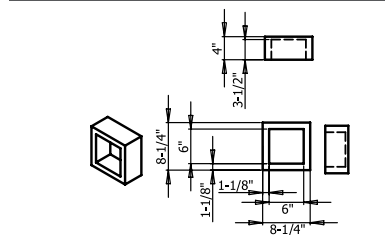
#305 Narrow Combo Niche



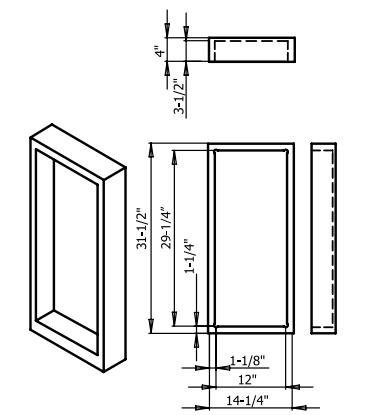
#306 Narrow Arch Combo Niche



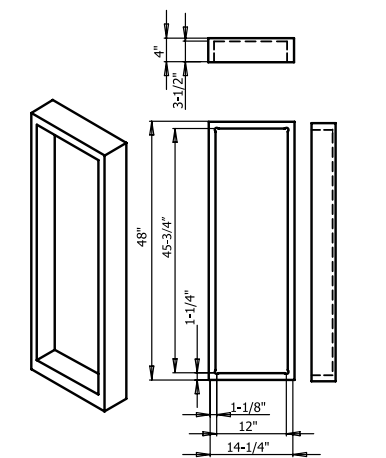
#308 Soap Niche



#2942 31-1/2" Tall Niche



#2943 4' Tall Niche



#2781 4-Shelf Corner #2782 2-Shelf Corner Niches

