



# QP-3TH Pump Starting Instructions

The following instructions are intended to assist the user in starting the QP-3TH Pump. Please read the entire instructions before starting.

## Before Starting

- Place pump as near to water as possible, on a firm flat, level surface.
- To prime pump, remove fill cap and fill pump casing with water. If the pump casing is not filled with water before starting, it will not begin pumping.

## ! WARNING

**DO NOT** open *fill cap* if pump is **hot!** Water inside may be under pressure.

- Check for **leaks** between pump and engine.
- Check that all hoses are **securely** attached to the pump.
- Check that the **discharge** hose is not restricted.
- Make sure the **suction strainer** is clean and securely attached to the water end of the suction hose.

## ! CAUTION

- **NEVER!** operate the pump without water in the casing as this will cause damage to the mechanical seal.
- The strainer should be positioned so it will remain completely **under water**. Running the pump with the strainer above water for long periods can damage the pump.

## ! DANGER

**DO NOT** pump flammable fluids, corrosive chemicals or fluids containing toxic substances. These fluids can create potentially dangerous health and environmental hazards. Contact local authorities for assistance.

## Starting the Engine

1. Place the engine **fuel valve lever** (Figure 1) to the "ON" position.

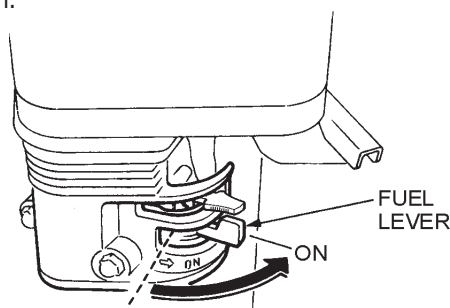


Figure 1. Engine Fuel Valve Lever (ON Position)

2. Move the **throttle lever** (Figure 2) away from the slow position, about 1/3 of the way toward the fast position.

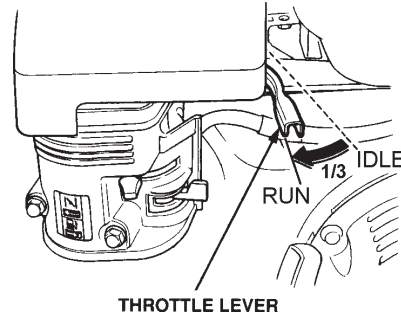


Figure 2. Throttle Lever (1/3 Start Position)

3. Place the **choke lever** (Figure 3) in the "OPEN" position if starting a **cold** engine.

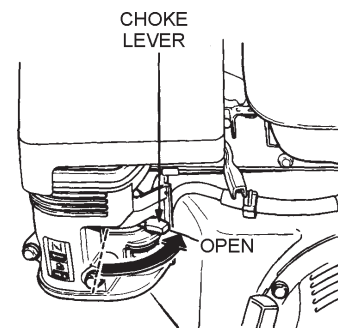


Figure 3. Engine Choke Lever (Open)

4. Place the **choke lever** (Figure 4) in the "CLOSED" position if starting a **warm engine** or the **temperature is warm**.

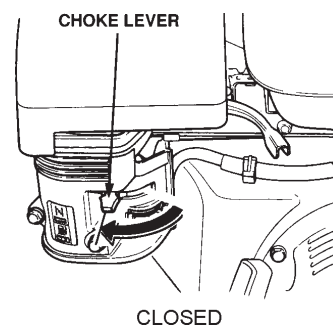


Figure 4. Engine Choke Lever (Closed)

5. Place the **engine ON/OFF switch** (Figure 5) in the "ON" position.

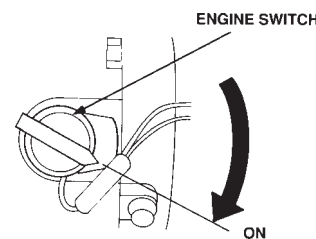


Figure 5. Engine ON/OFF Switch (ON Position)

- Grasp the starter grip (Figure 6) and slowly pull it out. The resistance becomes the hardest at a certain position, corresponding to the compression point. Pull the starter grip briskly and smoothly for starting.

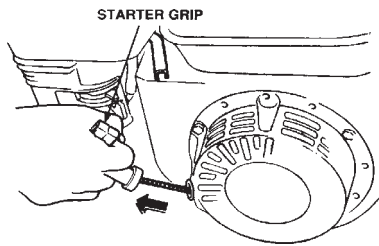


Figure 6. Starter Grip

- If the engine has started, slowly return the choke lever (Figure 7) to the **CLOSED** position. If the engine has not started repeat steps 1 through 6.

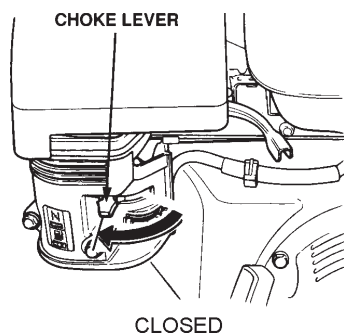


Figure 7. Choke Lever (Closed)

- Before the pump is placed into operation, run the engine for several minutes. Check for fuel leaks, and noises that would associate with a lose component.
- To begin pumping, place the throttle lever (Figure 8) in the "**RUN**" position.

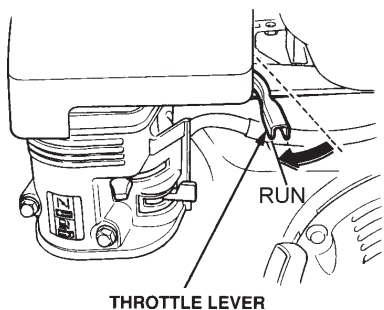


Figure 8. Throttle Lever (Run)

## CAUTION

**ALWAYS** run engine at **full speed** while pumping.

### Stopping The Engine

#### Normal Shutdown

- Move the throttle lever to the **IDLE** position (Figure 9) and run the engine for three minutes at low speed.

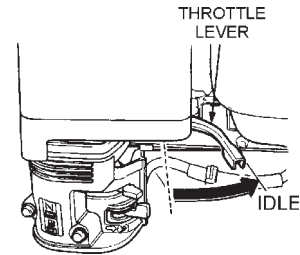


Figure 9. Throttle Lever (Idle)

- After the engine **cools**, turn the engine ON/OFF switch to the "**OFF**" position (Figure 10).

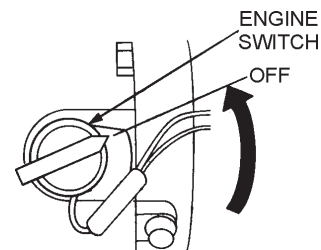


Figure 10. Engine ON/OFF Switch (OFF)

- Place the **fuel shut-off lever** (Figure 11) in the **OFF** position.

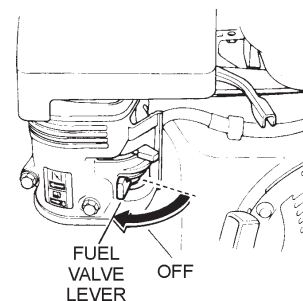


Figure 11. Fuel Valve Lever (OFF)

#### Emergency Showdown

- Move the throttle lever quickly to the **IDLE** position, and place the engine ON/OFF switch in the **OFF** position.