



# Husqvarna®



## PG 690 Propane

EN Operator's manual  
ES-MX Manual del usuario  
FR-CA Manuel d'utilisation

2-30  
31-60  
61-89

---

# Contents

---

Introduction.....	2	Troubleshooting.....	24
Safety.....	7	Transportation, storage and disposal.....	26
Operation.....	11	Technical data.....	29
Maintenance.....	20		

---

## Introduction

---

### Owner responsibility

---



**WARNING:** Processing of concrete and stone by methods such as cutting, grinding or drilling, especially during dry operation, generates dust that comes from the material being processed, which frequently contains silica. Silica is a basic component of sand, quartz, brick clay, granite and numerous other minerals and rocks. Exposure to excessive amount of such dust can cause:

Respiratory disease (affecting your ability to breathe), including chronic bronchitis, silicosis and pulmonary fibrosis from exposure to silica. These diseases may be fatal;

Skin irritation and rash.

Cancer according to NTP\* and IARC\* \*/ National Toxicology Program, International Agency for Research on Cancer.

Take precautionary steps:

Avoid inhalation of and skin contact with dust, mist and fumes.

Wear and ensure that all bystanders wear appropriate respiratory protection such as dust masks designed to filter out microscopic particles. (See OSHA 29 CFR Part 1926.1153)

To minimize dust emissions, use water to bind the dust, when feasible. If dry operation

is necessary, use an appropriate dust extractor.

---

It is the owner's/employer's responsibility that the operator has sufficient knowledge about how to use the product safely. Supervisors and operators must have read and understood the Operator's Manual. They must be aware of:

- The product's safety instructions.
- The product's range of applications and limitations.
- How the product is to be used and maintained.

National/Local regulations could restrict the use of this product. Find out what regulations are applicable where you work before you start using the product.

### Product description

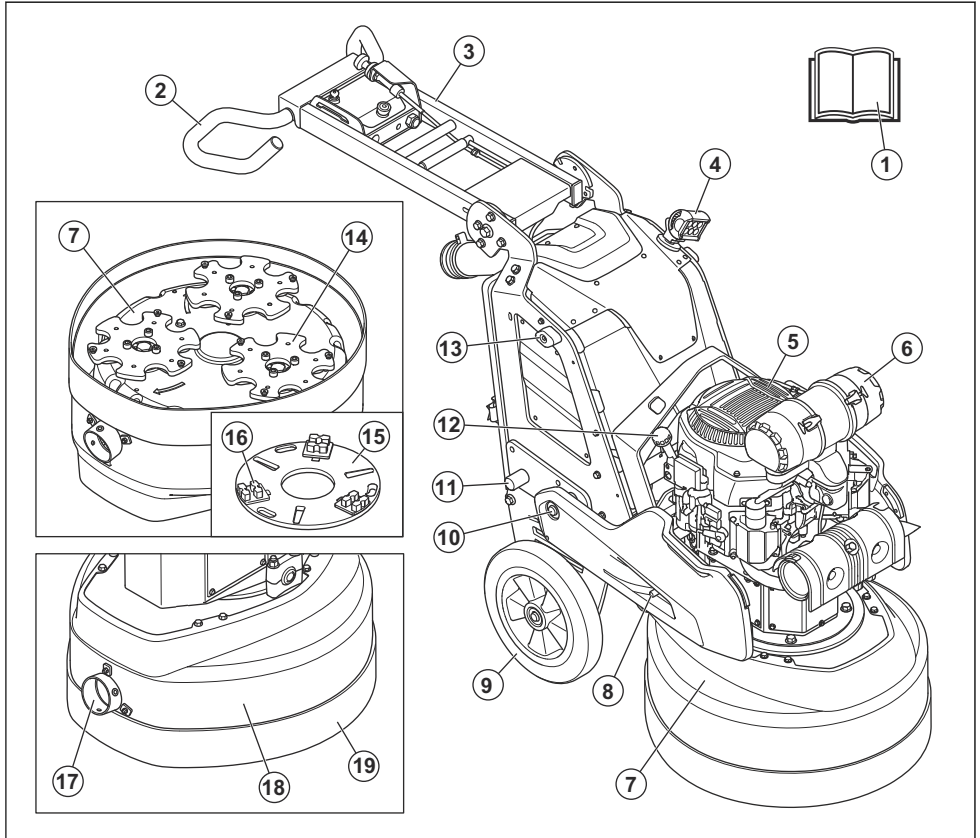
The product is a floor grinder for surfaces of different hardness. The product has a propane engine.

### Intended use

The product is used to grind surfaces of materials with different hardness such as natural stone, terazzo and concrete. Also use the product to grind cover materials such as epoxy and glue. The finish of the surface can be rough or smooth. The product can be used for dry grinding and wet grinding. Do not use the product for other tasks.

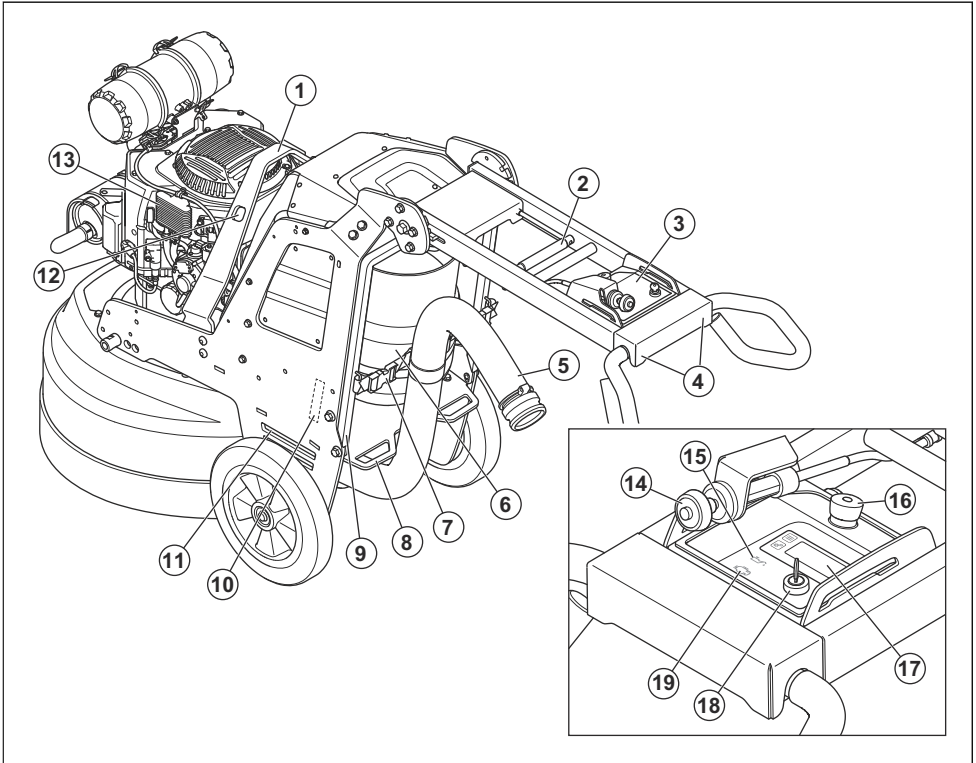
The product is used in commercial operations by professional operators.

## Product overview, right side



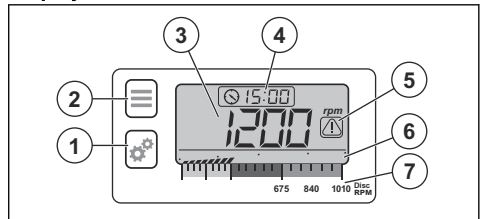
- |                          |                                   |
|--------------------------|-----------------------------------|
| 1. Operator's manual     | 11. Weight holder                 |
| 2. Handlebar             | 12. Oil fill and dipstick         |
| 3. Handle                | 13. Weight bracket                |
| 4. Headlight (accessory) | 14. Grinding disc                 |
| 5. Engine                | 15. Tool plate                    |
| 6. Air filter            | 16. Diamond tool (accessory)      |
| 7. Grinding head         | 17. Connection for dust extractor |
| 8. Weight lock           | 18. Cover                         |
| 9. Wheel                 | 19. Dust skirt                    |
| 10. Weights (accessory)  |                                   |

## Product overview, left side



1. Lifting eye
2. Lock lever for handle adjustment
3. Control panel
4. Screws for handlebar adjustment
5. Connection for dust extractor
6. Propane tank
7. Suspension device for dust extractor
8. Propane tank holder
9. Support frame
10. Type plate
11. Holes for straps
12. Holes for straps
13. Oil cooling fins
14. Throttle control
15. Indicator for oil pressure
16. Emergency stop button
17. Display
18. Ignition lock
19. Indicator for check engine

## Display overview



1. Set button
2. Menu button
3. Rpm for the engine
4. Clock
5. Warning
6. Gauge for the rpm for the engine
7. Rpm for the grinding discs

## To use the display

Use the menu button and the set button to control the display.

1. Push the menu button quickly to move between the selections in the display.
2. Push and hold the menu button to go to the selected selection.
3. In the selection, push the menu button quickly to select between ON/OFF.
4. In the selection, push the set button to adjust the selected selection.
5. Push and hold the menu button to lock the selection and go back to main menu.

**Note:** The display goes back to the main menu if you do not use it for 10 seconds.

### Display menu

Menu selections	Information and basic set	Set options
Total operation time	Shows the time the product has been used.	N/A
Time to next servicing	Shows how many hours before a servicing is necessary.	Select "ON" to reset.
Max rpm	Shows the maximum rpm used during last operation.	Select "ON" to clear.
Ignition	Basic set is "1P1r".	N/A
Rpm limit	Set rpm range between 2000 - 3600 rpm.	Push the set button quickly to add 100 rpm each time. Push and hold the set button to add 1000 rpm each time.
Rpm warning	Basic set is "OFF". Set is "ON", the product gives a warning at selected rpm value.	Push the set button quickly to add 100 rpm each time. Push and hold the set button to add 1000 rpm each time.
Service warning	Basic set is 100 h. The product gives a warning when it has been used for this many hours.	Push the set button quickly to add 1 h each time. Push and hold the set button to add 10 h each time.
Voltage warning	Basic set is 11.0 V. The product gives a warning at this voltage value.	Push the set button quickly to add 0.1 V each time. Push and hold the set button to add 1 V each time.

Menu selections	Information and basic set	Set options
Battery voltage	Shows the measured voltage of the battery in V.	N/A
Reset to factory settings	Will reset the product to factory settings.	Do not use.

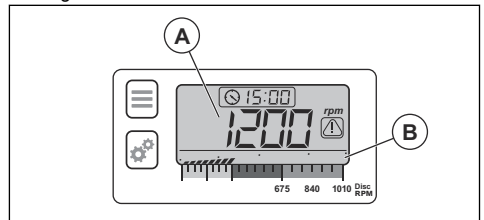
### Display warning symbols

The display can show warning symbols.

- Rpm warning: The display shows a warning triangle.
- Low battery warning: The display shows the letters LOU and a warning triangle.
- Service warning: The display shows the letters SUC and a warning triangle.

### Rpm for the engine

The display shows the rpm for the engine (A). The gauge (B) in the display shows how much of the rpm for the engine that is used.



The gauge has 3 fields of different color:

- Orange field: idle speed, 0 - 1200 rpm.
- Red field: the clutch engages, 1200-2000 rpm.

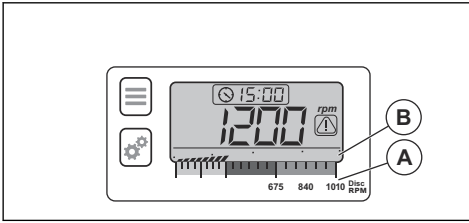


**CAUTION:** Do not operate the product between 1200 - 2400 rpm. The clutch can disengage.

- Green field: operate the product, 2400 - 3600 rpm.

### Rpm for the grinding discs

The speed of the grinding discs is related to the speed of the engine. The gauge (B) in the display shows how much of the rpm for the engine that is used. The table (A) below the display shows the rpm for the grinding discs in relation to the rpm for the engine. When the product is operated at maximum engine speed, 3600 rpm, the grinding discs speed is at maximum 1010 rpm.



### To show and set the time in the display

The clock can show the current time, the total operating time or the time until the servicing of the product.

- To change the time:
  - a) Push and hold the menu button to go to selection for clock.
  - b) Push the set button quickly to change the time.
- To show the total operating time, push the menu button quickly one time.
- To show the time until next servicing, push the menu button quickly 7 times until the letters SUC shows.

### Symbols on the product



**WARNING:** This product can be dangerous and cause serious injury or death to the operator or others. Be careful and use the product correctly.



Read the manual carefully and make sure that you understand the instructions before you use the product.



Use hearing protection, eye protection and respiratory protection. Refer to *Personal protective equipment on page 8*.



The dust can cause health problems. Use an approved respiratory protection. Always make sure that there is good airflow.



Propane is very flammable and explosive.



Always lift the product at the lifting eye.



Use the holes for tie-down straps to attach the product to a transport vehicle.



Double insulation, battery and battery charger.



Use and keep battery charger only indoors.



The product is not domestic waste. Recycle it at an approved disposal location for electrical and electronic equipment.

**Note:** Other symbols/decals on the product refer to special certification requirements for some markets.

### Symbols on the control panel



Emergency stop.



Check engine, speak to an approved service agent.



Low oil pressure, examine the oil level. If it is necessary, speak to an approved service agent.



Menu button for display.

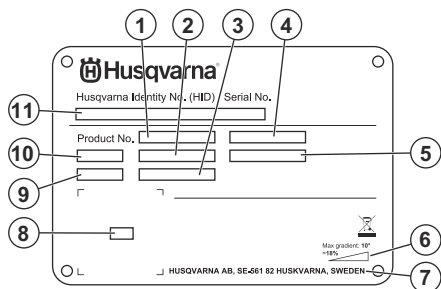


Set button for display.



Engine start.

## Type plate



1. Product number
2. Product weight
3. Engine power
4. Engine speed
5. Enclosure
6. Maximum slope angle
7. Manufacturer
8. Scannable code
9. Production year
10. Model
11. Serial number

## Product liability

As referred to in the product liability laws, we are not liable for damages that our product causes if:

- the product is incorrectly repaired.
- the product is repaired with parts that are not from the manufacturer or not approved by the manufacturer.
- the product has an accessory that is not from the manufacturer or not approved by the manufacturer.
- the product is not repaired at an approved service center or by an approved authority.

## Husqvarna Fleet Services™

Husqvarna Fleet Services™ is a cloud solution that gives the operator an overview of all products that are connected. On this product a Husqvarna Fleet Services™ sensor can be installed. The Husqvarna Fleet Services™ sensor collects product data and lets you connect to the Husqvarna Fleet Services™ system. The Husqvarna Fleet Services™ system reports data such as operation time, servicing intervals and location of the product.

For more information about Husqvarna Fleet Services™, download the Husqvarna Fleet Services™ app or speak to your Husqvarna representative.

---

## Safety

---

### Safety definitions

Warnings, cautions and notes are used to point out specially important parts of the manual.



**WARNING:** Used if there is a risk of injury or death for the operator or bystanders if the instructions in the manual are not obeyed.



**CAUTION:** Used if there is a risk of damage to the product, other materials or the adjacent area if the instructions in the manual are not obeyed.

**Note:** Used to give more information that is necessary in a given situation.

### General safety instructions



**WARNING:** Read the warning instructions that follow before you use the product.

- This product is a dangerous tool if you are not careful or if you use the product incorrectly. This product can cause serious injury or death to the operator or others. Before you use the product, you must read and understand the contents of this operator's manual.

must read and understand the contents of this operator's manual.

- Save all warnings and instructions.
- Comply with all applicable laws and regulations.
- The operator and the employer of the operator must know and prevent the risks during operation of the product.
- Do not let a person operate the product unless they read and understand the contents of the operator's manual.
- Do not operate the product unless you receive training before use. Make sure that all operators receive training.
- Do not let a child operate the product.
- Only let approved persons operate the product.
- The operator is responsible for accidents that occur to other persons or their property.
- Do not use the product if you are tired, ill, or under the influence of alcohol, drugs or medicine.
- Always be careful and use your common sense.
- This product produces an electromagnetic field during operation. This field can under some circumstances interfere with active or passive medical implants. To decrease the risk of serious injury or death, we recommend persons with medical implants to speak to their physician and the medical implant manufacturer before operating this product.

- Keep the product clean. Make sure that you can clearly read signs and decals.
- Do not use the product if it is defective.
- Do not do modifications to this product.
- Do not operate the product if it is possible that other persons have done modifications to the product.

## Safety instructions for operation



**WARNING:** Read the warning instructions that follow before you use the product.

- Use personal protective equipment. Refer to *Personal protective equipment on page 8*.
- Do not use the product in areas where fire or explosions can occur.
- Do not go away from the product when the engine is on.
- Always stop the engine before you go away from the product.
- Do not pull the hose of the dust extractor. The product can fall and cause injury or damage.
- The grinding head must touch the surface when you start the product.
- Do not start the product without the dust skirt installed. The dust skirt must seal fully between the product and the floor.
- Keep away from areas where the product can cause injury. The product can quickly change position and hit you.
- If the product does not operate correctly, stop the engine.
- Make sure that clothing, long hair and jewelry do not get caught in moving parts.
- Make sure that you are in a safe and stable position during operation.
- Do not operate the product unless you can get aid if an accident occurs.
- If vibrations occur in the product or the noise level from the product is unusually high, stop the product immediately. Examine the product for damages. Repair damages or let an approved service agent do the repair.
- Overexposure to vibration can cause circulatory damage or nerve damage to persons with decreased blood circulation. Get medical aid if you have symptoms of overexposure to vibration. These symptoms include numbness, loss of feeling, tingling, pricking, pain, loss of strength, changes in skin color or condition. These symptoms usually show in the fingers, hands or wrists.
- Always use approved accessories. Speak to your dealer for more information.

## Personal protective equipment

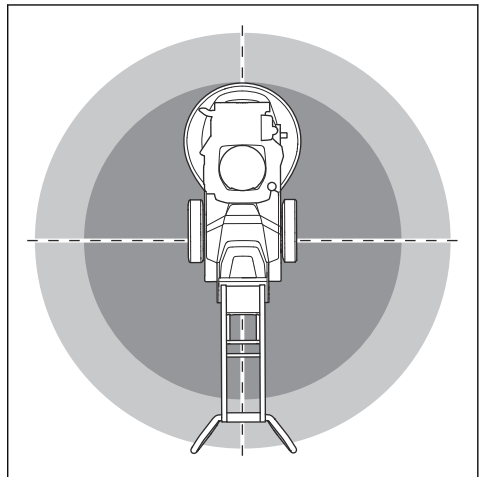


**WARNING:** Read the warning instructions that follow before you use the product.

- Always use correct personal protective equipment when you operate the product. The personal protective equipment does not erase the risk of injury. The personal protective equipment decreases the grade of injury if an accident occurs. Let your dealer help you select the right equipment.
- Use approved eye protection while you operate the product.
- Do not use loose, heavy and not applicable clothing. Use clothes that let you move freely.
- Use approved protective gloves that enables a solid hold.
- Use rubber protective gloves that prevents skin irritation from wet concrete.
- Use an approved protective helmet.
- Always use approved hearing protection while you operate the product. Noise for a long period can cause noise-induced hearing loss.
- The product makes dust and fumes that contain dangerous chemicals. Use an approved breathing protection.
- Use boots with steel toe-caps and non-slip soles.
- Make sure that you have a first aid kit near.
- Sparks can occur when you operate the product. Make sure that you have a fire extinguisher near.

## Work area safety

- During operation, keep bystanders away from the area shown in the illustration below. The operator must be very careful in this area during operation.





- Make sure that only approved persons are in the work area.
- Do not use the product in fog, rain, strong winds, cold weather, risk of lightning or other bad weather conditions. To use the product in bad weather or in wet locations can have a negative effect on your alertness. Bad weather can cause dangerous work conditions.
- Look out for persons, objects and situations that can prevent safe operation of the product.
- Keep the work area sufficiently illuminated.
- Do not use the product in areas where fire or explosions can occur.

## Propane safety



**WARNING:** Read the warning instructions that follow before you use the product.

- Propane is flammable and the fumes are explosive. Be careful to prevent injury, fire and explosion.
- Read all instructions on the product and on the propane tank.
- Do not change the propane control equipment. Changes to the propane control equipment can cause dangerous levels of engine emissions.
- Do not breathe in the fuel fumes. The fuel fumes are poisonous and can cause injury. Make sure that the airflow is sufficient.
- Do not start the engine in an area without sufficient airflow. Propane is heavier than air and can accumulate in low areas. Not sufficient airflow increases the risk of fire or explosion from sparks, and the risk of injury from the fumes.
- Do not smoke near the product, the engine or the propane tank.
- Do not put hot objects near the propane or the engine.
- Keep the product away from sparks or flames.
- Examine the propane supply system for leaks regularly. If there are leaks, do not start the engine until the leaks are repaired.
- Do not keep propane tanks in a building. Propane tanks must only be indoors during operation of the product.
- Keep propane tanks in a safe area with sufficient airflow.

## Exhaust fumes safety



**WARNING:** Read the warning instructions that follow before you use the product.

- Long-term inhalation of exhaust fumes can cause health problems.
- The exhaust fumes from the engine contain carbon monoxide which is an odourless, poisonous and very

dangerous gas. To breathe carbon monoxide can cause death. Because carbon monoxide is odourless and cannot be seen, it is not possible to sense it. A symptom of carbon monoxide poisoning is dizziness, but it is possible that a person becomes unconscious without warning if the quantity or concentration of carbon monoxide is sufficient.

- Exhaust fumes that you can see or smell also contain carbon monoxide.
- Do not use a combustion engine product indoors and/or in areas that do not have sufficient airflow.

## Battery safety



**WARNING:** Read the warning instructions that follow before you use the product.

- Only use the batteries that we recommend for your product. The batteries are software encrypted.
- Use only original batteries for this product. There is a risk of explosion if the batteries are replaced with a battery of incorrect type. Speak to your dealer for more information.
- Use batteries that are rechargeable as a power supply for the related Husqvarna products only. To prevent injury, do not use the battery as a power supply for other devices.
- Risk of electrical shock. Do not connect the battery terminals to keys, screws or other metal. This can cause a short circuit of the battery.
- If the battery leaks, do not let the liquid touch your body or eyes. If you have touched the liquid, clean the area with a large quantity of water and get medical aid.
- Do not use batteries that are non-rechargeable.
- Do not do modifications to the battery.
- Do not put objects into the air slots of the battery.
- Keep the battery away from sunlight, heat or open flame. The battery can cause an explosion and cause burns and/or chemical burns.
- Keep the battery away from rain and wet conditions.
- Keep the battery away from microwaves and high pressure.
- Do not try to disassemble or break the battery.
- Use the battery in temperatures between -10 °C/14 °F and 40 °C/104 °F.
- Do not clean the battery or the battery charger with water. Refer to *To clean the battery and the battery charger on page 21*.
- Do not use a defective or damaged battery.
- Keep batteries in storage away from metal objects such as nails, screws or jewelry.
- Keep the battery away from children.

## Safety devices on the product

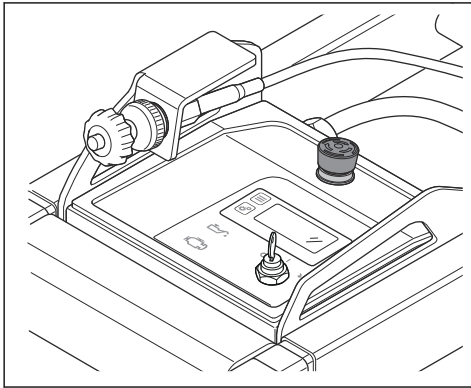


**WARNING:** Read the warning instructions that follow before you use the product.

- Do not use a product with defective safety devices.
- Do a check of the safety devices regularly. If the safety devices are defective, speak to your Husqvarna service agent.

### Emergency stop button

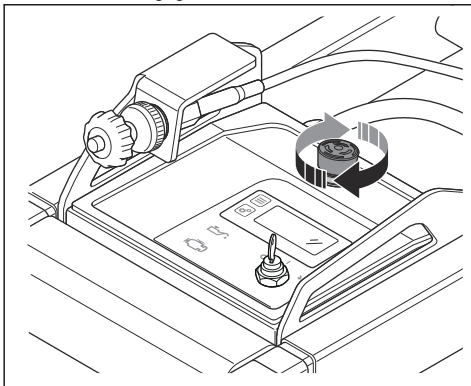
The emergency stop button is used to quickly stop the engine. The emergency stop button breaks the mains power supply.



**CAUTION:** Do not use the emergency stop button as the stop button for the product.

### To do a check of the emergency stop button

1. Turn the emergency stop button on the control panel clockwise to make sure that the emergency stop button is disengaged.



2. Start the engine. Refer to *To start the product on page 16*.
3. Push the emergency stop button.
4. Turn the emergency stop button clockwise to disengage.

## Safety instructions for maintenance

- Keep all parts in good condition and make sure that all fixtures are correctly tightened.
- Do not use a product that is defective. Do the safety checks, maintenance and the servicing as given in this manual. All other maintenance work must be done by an approved service agent.
- Installation and repair of the supply system for propane must be done only by approved servicing personnel for propane systems.
- Stop the product when you replace the diamond tools. Turn the ignition key to 0 and push the emergency stop button.
- Do the inspection and/or maintenance with the engine stopped.
- Do the maintenance to make sure that the product operates correctly. Refer to *Maintenance schedule on page 20*.

# Operation

## Introduction



**WARNING:** Before you operate the product, you must read and understand the safety chapter.

## To remove the product from the package



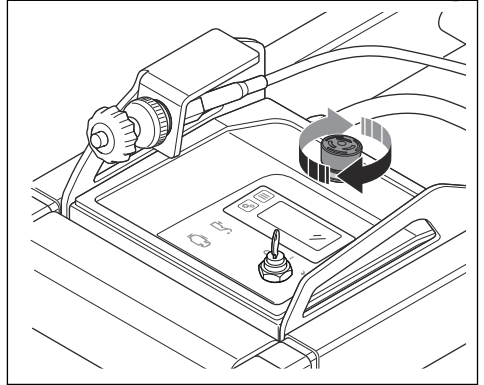
**WARNING:** Move the product from the pallet carefully and safely. The product is heavy and can cause serious injury if it falls.

- Make sure that all items that is shown in the product overview, are included. Refer to *Product overview, right side on page 3*. Speak to your Husqvarna dealer if an item is missing or damaged before you move the product from the pallet.
- Remove all package straps and wheel chocks.
- Make sure that the area is clear and that you have sufficient space to move the product.
- Make sure that there is no risk that you or the product can fall.
- Use lifting equipment or ramps to move the product from the pallet. The product is heavy. Move the product safely. Refer to *Transportation on page 26*.

## To do before you operate the product

1. Read the operator's manual carefully and make sure that you understand the instructions.
2. Put on necessary personal protective equipment. Refer to *Personal protective equipment on page 8*.
3. Make sure that only approved persons are in the work area.
4. Do daily maintenance. Refer to *Maintenance schedule on page 20*.
5. Make sure that the product is assembled correctly and is not damaged.
6. Put the product on the work area. Make sure that the transportation of the product to and in the work area is done safely and correctly. Refer to *Transportation on page 26*.
7. Make sure that there are diamond tools on the tool plates and that the diamond tools and tool plates are tightly attached.
8. Connect a dust extractor to the product. Refer to *To connect a dust extractor on page 14*.
9. Adjust the handle and the handlebar to an applicable operation height. Refer to *To adjust the handle and the handlebar on page 15*.
10. Make sure that the battery is connected. Refer to *To connect the battery on page 15*.

11. Make sure that the propane tank is connected. Refer to *To connect and disconnect the propane tank on page 15*.
12. Turn the emergency stop button on the control panel clockwise to make sure that the emergency stop button is disengaged.



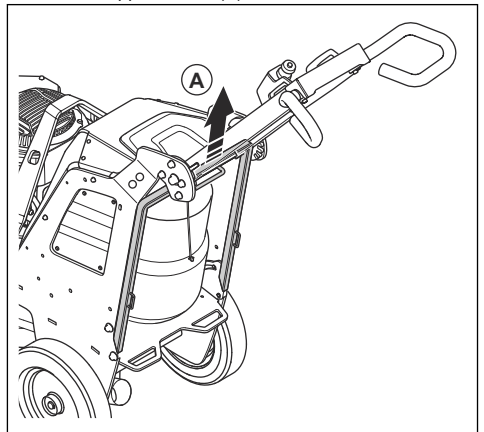
## To engage and disengage the support frame

The product has a support frame that is used to tilt the product rearward. Also, the support frame is used as a suspension device to hang the dust extractor hose and the power cord on.

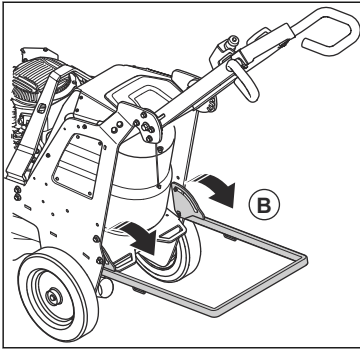


**WARNING:** Be careful when you move the support frame. The moving parts can cause injury.

1. Lift the support frame (A) a small distance.



- Lower the support frame (B).



- Fold up the support frame in the opposite sequence.

## Diamond tools

There are many different types and configurations of diamond tools for the product. Metal bonded diamond tools are used for removal of material and resin bonded diamond tools are used to polish surfaces. Select the correct diamond tools for the surface. Speak to your Husqvarna dealer or go to [www.husqvarnacp.com](http://www.husqvarnacp.com) for support to select the correct tool.

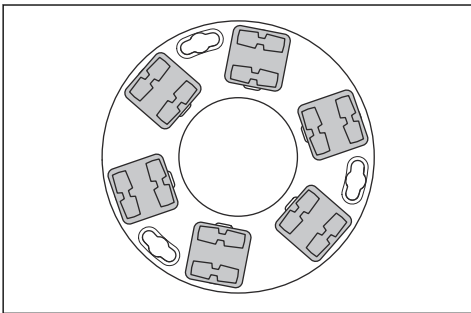
### Disc holder alternatives for diamond tools

- Use a Redi lock disc holder to attach metal bonded diamond tools.
- Use a resin disc holder to attach plastic bonded diamond tools.

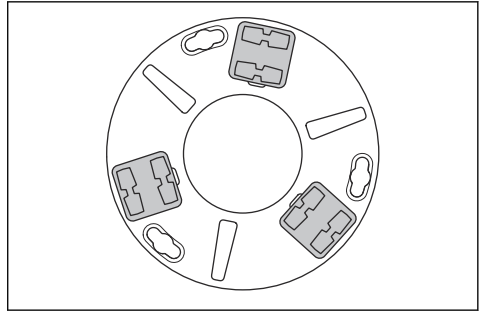
### Full set and half set of diamond tools

The configuration of the diamond tool segments has an effect on the end quality of the surface. The configuration also has an effect on the operation rate of the product.

- Full set of diamond tools: This configuration is applicable for a flat floor finish.



- Half set of diamond tools: This configuration is applicable when a flat floor finish is not necessary.



### To replace the diamond tools



**WARNING:** Use protective gloves, as diamond tools can become very hot.



**WARNING:** Use approved respiratory protection when you replace the diamond tools. The dust below the grinding head is dangerous to your health.

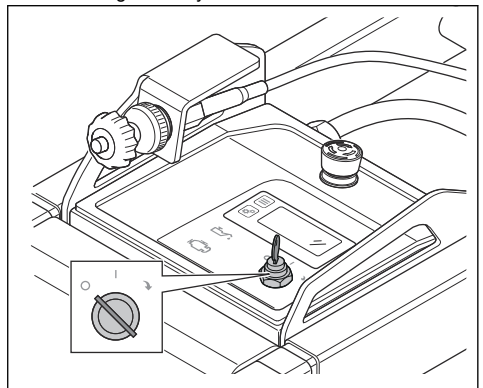


**WARNING:** Use the dust extractor when you replace the diamond tools. The dust extractor will decrease the dust that can cause health problems.

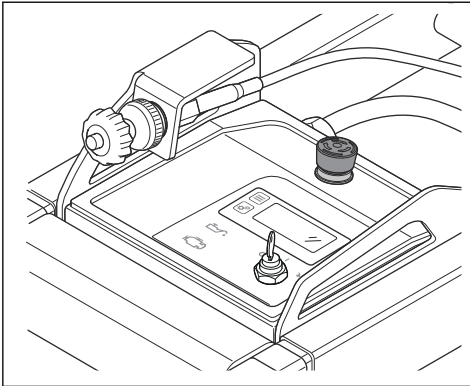


**CAUTION:** All the grinding discs must always have the same number and type of diamonds. The height of the diamonds must be the same on all grinding discs.

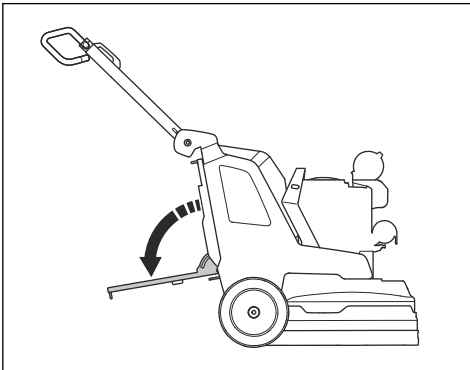
- Turn the ignition key to 0.



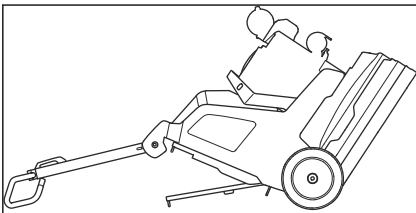
2. Push the emergency stop button.



3. Set the handle in servicing position. Refer to *Handle positions on page 14*.
4. If weights are installed, adjust the weights to a rearward position. Refer to *To adjust the weights on page 19*.
5. Engage the support frame. Refer to *To engage and disengage the support frame on page 11*.

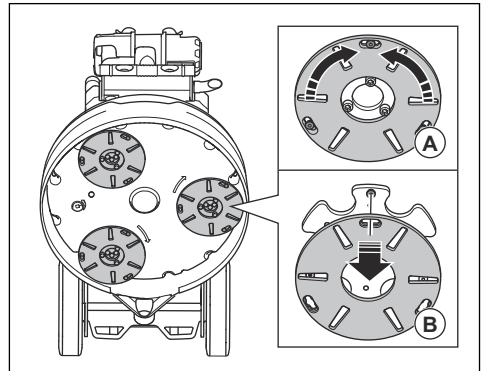


6. Hold the handlebar and with one foot on the support frame tilt the product rearward. Tilt the product until the handlebar is on the floor.

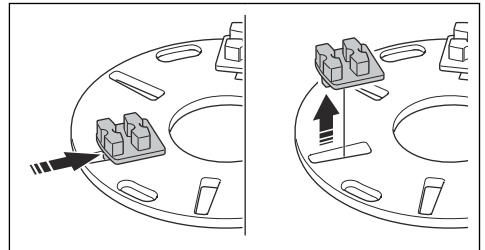


7. Put on protective gloves.

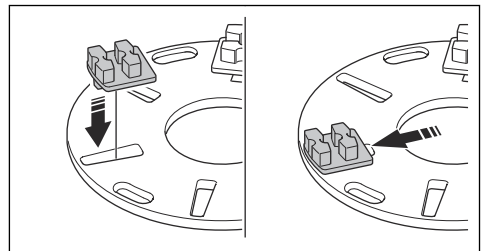
8. Turn the tool plate (A) to the right or to the left to unlock the tool plate from the grinding disc.



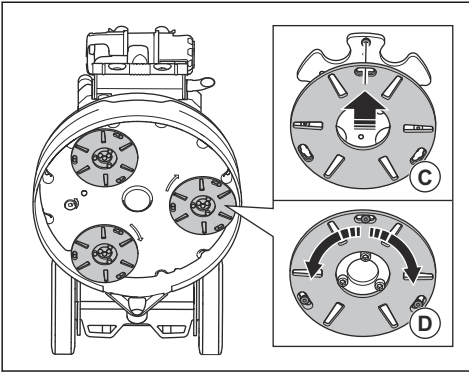
9. Pull the tool plate straight out (B) to remove the tool plate from the grinding disc.
10. Use a hammer to remove the diamond tools from the tool plate.



11. Attach new diamond tools to the tool plate with a soft hit of the hammer.



12. Attach the tool plate straight (C) on the grinding disc.



13. Turn the tool plate (D) to the right or to the left to lock the tool plate to the grinding disc.

14. Carefully lift the product to operation position. Use the handlebar and the support frame for support.

15. Disengage the support frame.

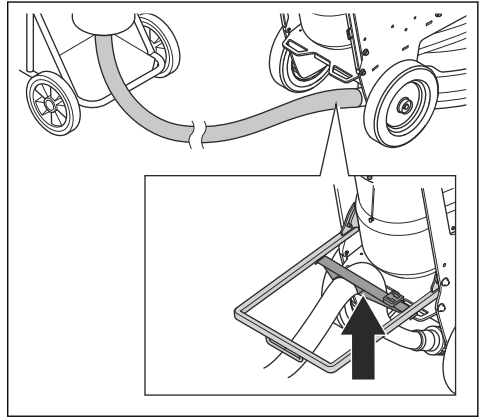
## To connect a dust extractor



**WARNING:** Do not use the dust extractor if the dust extractor hose is damaged. The risk increases that you breathe in dust that is dangerous to your health. Use approved respiratory protection.

1. Examine the dust extractor hose for damages.
2. Make sure that the filters in the dust extractor are clean and not damaged.
3. Make sure that the grinding head is not in operation.
4. Connect the dust extractor hose to the product.
5. Engage the support frame. Refer to *To engage and disengage the support frame on page 11.*

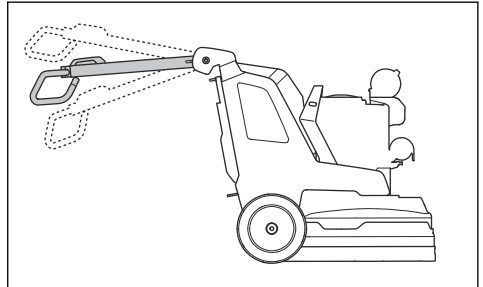
6. Hang the dust extractor hose on the suspension device on the support frame to prevent tension in the dust extractor hose.



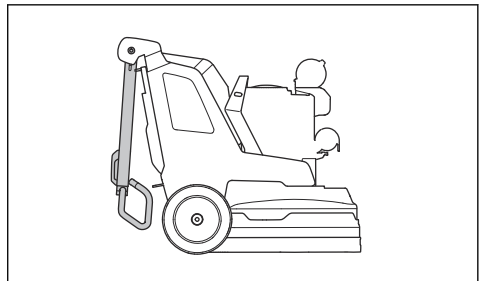
7. Disengage the support frame.

## Handle positions

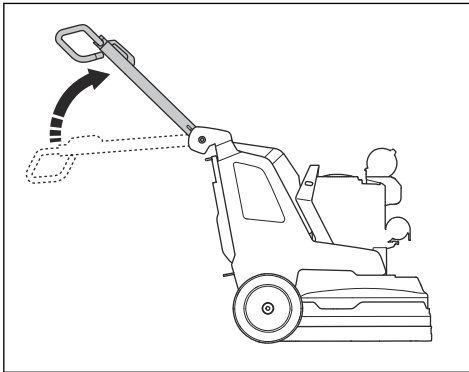
- Operation position of the handle:



- Transport position of the handle:



- Servicing position of the handle:



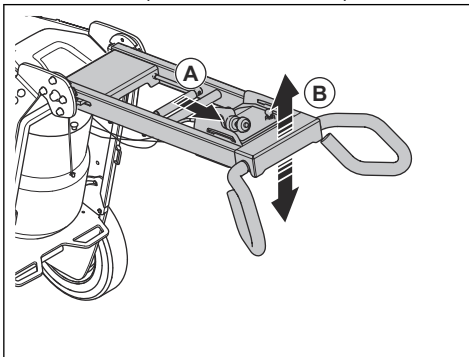
### To adjust the handle and the handlebar



**WARNING:** Be careful when you adjust the handle and the handlebar. Make sure that the handle and the handlebar locks into position. The moving parts can cause injury.

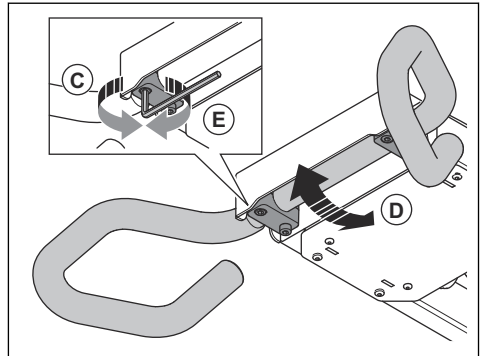
Set the handle height as close as possible to the height of the operators hip. During operation the product can pull to the side. The hip of the operator can help to stop this movement to the side.

1. Pull the lock lever (A) on the handle in the direction of the control panel and hold it in this position.



2. Adjust the handle (B) to an applicable operation height.
3. Release the lock lever on the handle to lock the handle position.

4. Loosen the 4 screws (C) on the handlebar.



5. Adjust the handlebar (D) to an applicable operation height.
6. Tighten the 4 screws (E) on the handlebar to lock the handlebar position.

### To connect the battery

- Make sure that the wires are firmly connected to the correct terminals, red (+) first, black (-) second. Disconnect the battery in reverse order.
- Make sure that the bracket that holds the battery in place is correctly assembled, so that the battery can't move during operation.

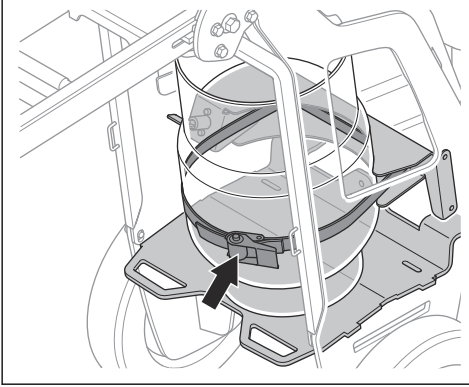
### To connect and disconnect the propane tank



**CAUTION:** Make sure to use the correct propane tank type. An incorrect propane tank can cause damage to the product. Refer to *Technical data on page 29*.

If the propane tank is connected and the product is not in operation, close the propane tank valve.

1. Make sure that the propane tank is tightly held in position by the lock and the holder plate. The propane tank cannot move when the propane tank is correctly installed.



2. Connect the propane hose from the product to the propane tank.
3. Make sure that the propane hose is correctly connected to the fuel valve on the engine.
4. Make sure the all couplers are in line. Tighten the couplers by hand to connect the propane tank to the product.



**CAUTION:** Do not use a tool to complete the connection of the propane tank to the product. The couplers can be damaged.

5. Turn the propane tank valve counterclockwise until it stops to start the flow of the propane.
6. Do a soap test on all propane lines. Refer to *To examine the propane tank and lines on page 22.*
7. Disconnect in the opposite sequence.

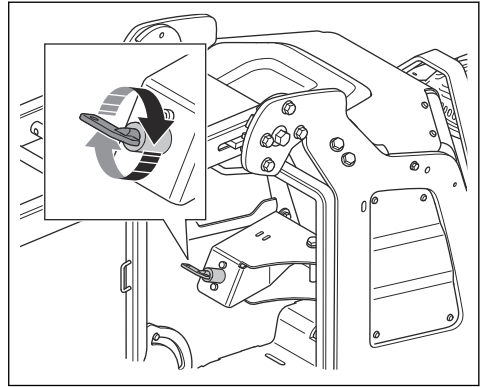
## Operation speed

If the product is operated on a new surface type, set the speed to 70% initially. When the operator knows the surface type, the speed can be adjusted.

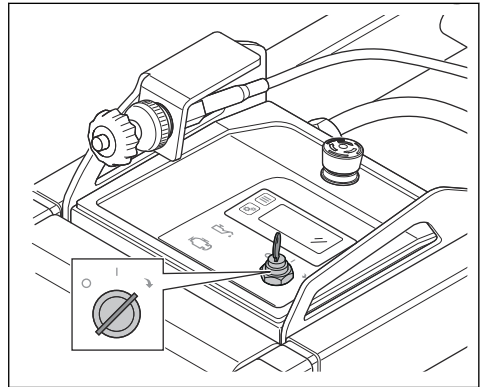
## To start the product

1. Connect the propane tank. Refer to *To connect and disconnect the propane tank on page 15.*

2. Turn the main switch clockwise.



3. Push down the handlebar slightly to lift the grinding head from the surface. This releases the surface friction of the diamond tools. Do not lift the grinding head fully from the surface during operation.
4. Turn and hold the ignition key to engine start position.



5. When the engine starts, immediately release the ignition key. The ignition key goes to the "1" position.



**CAUTION:** Do not try to start the engine for more than 5 seconds at a time. If the engine does not start, wait 15 seconds before you try again.

6. Before you operate the product, wait 3-5 minutes and let the engine become warm. Idle at a maximum of 1200 rpm. Refer to *To operate the product on page 16.*

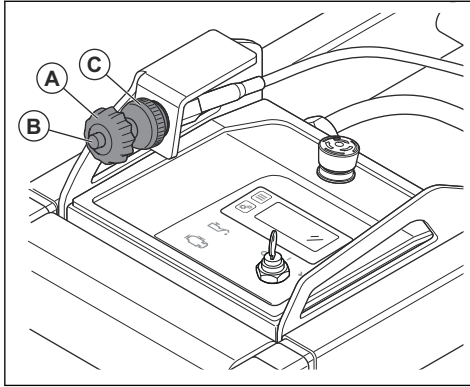
## To operate the product



**CAUTION:** Move the product all the time while the grinding head is on. If you do not move the product, the surface can become rough.



1. Start the engine. Refer to *To start the product on page 16*.
2. Turn the throttle control (A) counterclockwise to start the grinding head and increase rotation speed. Set the rotation speed to 2000 rpm or more. Refer to *Rpm for the engine on page 5*.



3. To increase the rotation speed faster, push the button (B) on the throttle control and turn the throttle control.
4. If the button on the throttle control is used, turn the "TURN TO LOCK" knob (C) clockwise to lock the rotation speed.
5. Push the product forward across the floor surface. Use the throttle control to adjust the speed while you operate the product.

## To stop the product

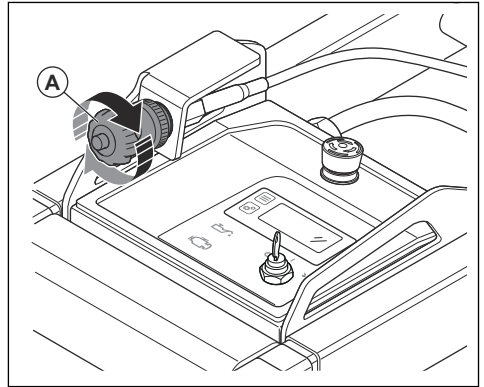


**CAUTION:** Do not lift the grinding head from the surface when you stop the engine. The tool plates rotate for a while after the engine stops. Dust can go into the air and the surface can become damaged.



**CAUTION:** Do not let the product become stationary until the tool plates stop fully.

1. Turn the throttle control (A) clockwise to decrease rotation speed. Set the rotation speed to 1200 rpm to put the product at idle speed. Refer to *Rpm for the engine on page 5*.

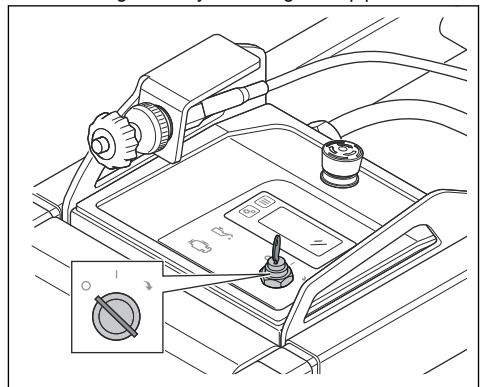


2. Turn the propane tank valve clockwise until it stops to stop the propane supply to the engine.
3. Keep the tool plates against the surface until they stop fully.

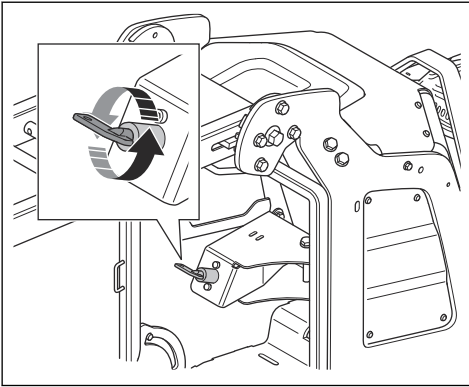


**CAUTION:** If you grind adhesive asphalt, paint or equivalent material, the product can attach to the adhesive surface. Immediately after the tool plate stopped fully, lift up the front of the grinding head a small distance.

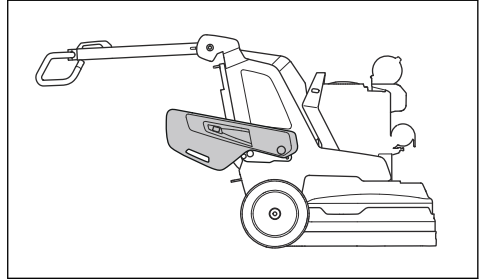
4. Wait until the engine stops. The engine stops when there is no fuel in the line.
5. Turn the ignition key to the engine stop position.



6. Turn the main switch counterclockwise.



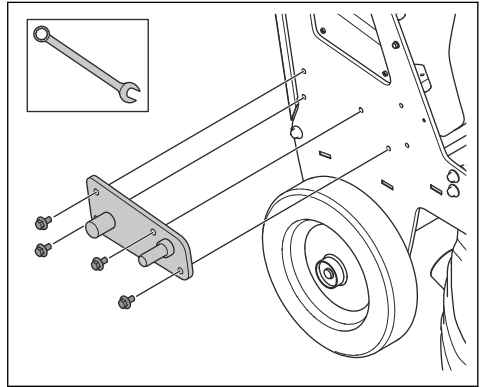
- Position 3: Minimum pressure on the grinding head. This position is also used when you tilt the product to servicing position.



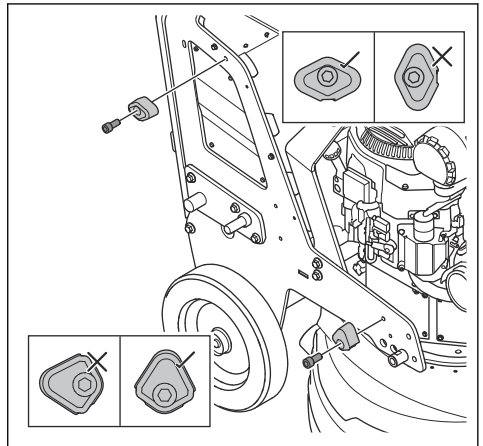
### To assemble and disassemble the weights

The product has 1 weight on each side of the product. Do the procedure that follows on each weight.

1. Install the weight holder and tighten the 4 screws.



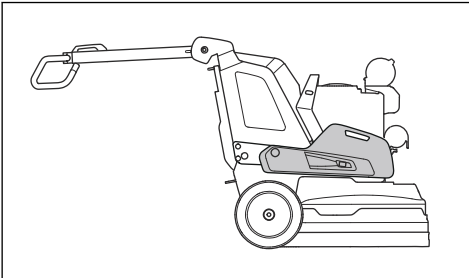
2. Install the 2 weight brackets. Make sure that the weight brackets are installed correctly as shown in the illustration.



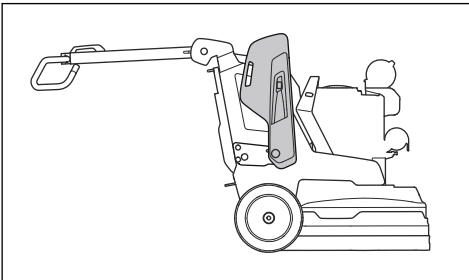
## Weights

The product has 1 weight on each side of the product. If the product is heavy to operate, adjust the weights to change the pressure on the grinding head. The weights must be adjusted to the same position on the right and the left side. The weights has 3 positions:

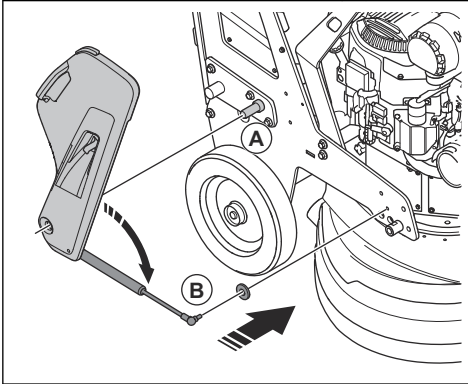
- Position 1: Maximum pressure on the grinding head. This position increases the operation effect. This position is also used when you set the product in transport position.



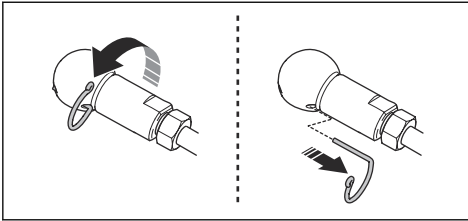
- Position 2: Standard pressure on the grinding head.



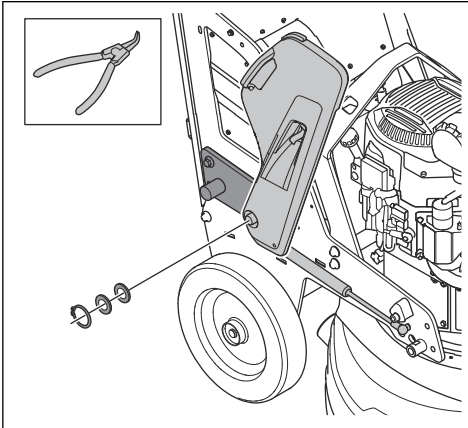
3. Put the weight on the cylinder (A) on the weight holder.



4. Attach the weight gas spring to the product (B).  
a) Remove the locking spring of the ball joint.



- b) Remove the ball joint from the gas spring.  
c) Attach the ball joint to the product.  
d) Attach the gas spring to the ball joint. Lock the gas spring to the ball joint with the locking spring.
5. Lock the weight to the weight holder with the lock ring.



## To adjust the weights

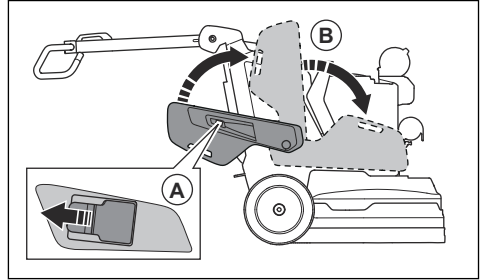


**WARNING:** Be careful when you adjust the weights. The moving parts can cause injury.



**WARNING:** Always make sure that the weight lock locks correctly when the weights are put in the selected position.

1. Push in the weight lock (A) and move the weight to a selected position (B) with the weight handle. Refer to *Weights on page 18*.



2. Release the weight lock to lock the weight in the selected position.

# Maintenance

## Introduction



**WARNING:** Before you do maintenance, you must read and understand the safety chapter.

For all servicing and repair work on the product, special training is necessary. We guarantee the availability of professional repairs and servicing. If your dealer is not a service agent, speak to them for information about the nearest service agent.

## To do before the maintenance

- Use personal protective equipment. Refer to *Personal protective equipment on page 8*.
- Use approved respiratory protection. The dust from the product is dangerous to your health.
- Park the product on a level surface.

- Stop the engine and disconnect the battery and the propane tank to prevent accidental start during maintenance.
- Clean the area around the product from oil and dirt. Remove unwanted objects.
- Set out clear signs to give a warning to bystanders that maintenance work is in progress.
- Keep fire extinguishers, medical supplies and an emergency phone near.

## Maintenance schedule

\* = General maintenance done by the operator. The instructions are not given in this operator's manual.

X = The instructions are given in this operator's manual.

O = The instructions are not given in this operator's manual. Let an approved service agent do the maintenance.

Maintenance	Daily	Weekly	Each 6 months	Each 12-36 months
Do a check of the ignition lock.	*			
Do a check of the throttle control.	*			
Do a check of the emergency stop button.	X			
Do a check of the attachment points and the lock function for the handle.		*		
Do a check of the attachment points and the lock function for the weights.		*		
Clean the external surfaces of the product.	X			
Clean the internal components of the product.			O	
Do a check of the oil cooling fins. If it is necessary, clean the oil cooling fins.	X			
Do a general inspection.	X			
Do a check of the grinding discs.	X			
Do a function check of the drive system for the grinding head.		X		
Examine the propane tank and all lines for leaks.	X			
Do a check of engine oil level.	X			
Replace the engine oil.		X		
Replace the oil filter.		X		
Replace the air filters.		X		
Examine the spark plug.		X		
Do the service on the drive system for grinding discs.				O

Maintenance	Daily	Weekly	Each 6 months	Each 12-36 months
Do a check of the connection between chassis and grinding head.		*		

## To clean the product



**CAUTION:** A blocked air intake decreases the performance of the product and can cause the engine to become too hot.

- Remove blockage from all air openings. The product must always have sufficiently cool temperature.
- Do not use chemicals to clean the product.
- Do not clean electrical components with water.
- Always clean all the equipment at the end of the work day. Clean the components at the bottom surface of the grinding head with a high-pressure washer.



**CAUTION:** Do not point the high-pressure washer directly at seals or connection points.

## To clean the battery and the battery charger

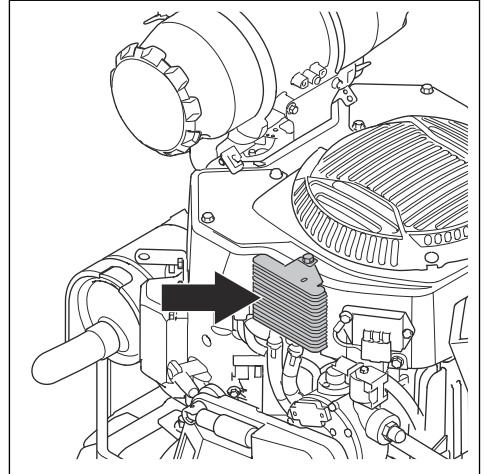


**CAUTION:** Do not clean the battery or the battery charger with water.

- Make sure that the battery and the battery charger are clean and dry before you put the battery into the battery charger.
- Clean the battery terminals with compressed air or use a soft and dry cloth.
- Clean the surfaces of the battery and the battery charger with a soft and dry cloth.

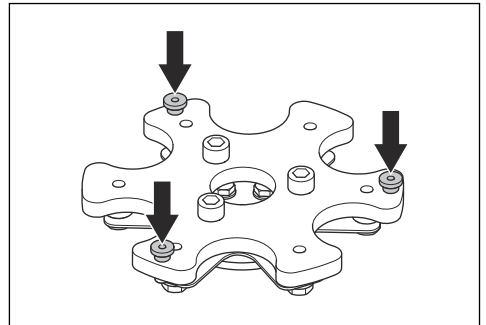
## To clean the oil cooling fins

- Clean the oil cooling fins with a brush or with compressed air.



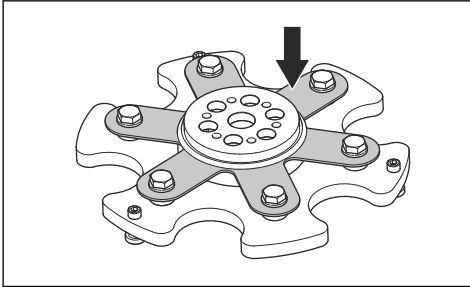
## To do a general inspection

- Make sure that nuts and screws are tight.
- Make sure that the head locks are tight. If it is necessary, tighten the head locks and use LOCTITE® 680 threadlocker.



## To do a check of the grinding discs

- Examine the spring steel spring for damages and make sure that it is in good condition.



- Replace damaged spring steel springs.

**Note:** It is not necessary to discard the grinding disc when you replace the spring steel spring.

- Add a second spring steel spring to make the spring steel head less flexible.

## Drive system for grinding head

The drive system for the grinding head is a closed system. If you have problems with the drive system of the grinding head, speak to your Husqvarna service agent.

## To examine the propane tank and lines



**CAUTION:** Examine the propane tank and lines each time the propane tank is filled and/or connected to the product.

- Make sure that the propane tank has no damages.
- Connect the propane tank to the product. Refer to *To connect and disconnect the propane tank on page 15*.
- Apply a soap mixture as a spray at all lines and connections. For soap mixture use 50% soap and 50% water.
- If there is a leak, there will be bubbles on the lines and the connections. Speak to an approved service agent.

## To fill the propane tank



**CAUTION:** Examine the propane tank and lines each time the propane tank is filled and/or connected to the product. Refer to *To examine the propane tank and lines on page 22*.

Do not fill the propane tank too much. The propane tank can hold a maximum of 9 kg/20 lbs of propane. A full propane tank must not weigh more than 21.8 kg/48 lbs. If the propane tank is filled too much, frost shows on the propane lines or on the regulator.

- Stop the product. Refer to *To stop the product on page 17*.
- Make sure that the propane tank valve is closed.
- Remove the propane tank from the product.
- Fill the propane tank with new propane or replace the propane tank.
- If the propane tank is filled too much, use a screwdriver at the propane tank valve to release unwanted propane. Release the propane in a safe procedure, refer to *Propane safety on page 9*.
- Install the filled/new propane tank to the product. Refer to *To connect and disconnect the propane tank on page 15*.
- If the weather is cold, keep the product indoors before use to warm up the propane tank. You can also use a propane tank heat blanket to warm up the propane tank.

## To do a check of the oil level



**CAUTION:** A too low oil level can do damage to the engine. Do a check of the oil level before you start the product.

- Put the product on level ground.
- Remove the oil tank cap with the attached dipstick.
- Clean the oil from the dipstick.
- Put the dipstick fully into the oil tank to give a correct picture of the oil level.
- Remove the dipstick.
- Examine the oil level on the dipstick.
- If the oil level is low, fill with engine oil and do a check of the oil level again.

## To replace the engine oil

If the engine is cold, start the engine for 1–2 minutes before you drain the engine oil. This makes the engine oil warm and easier to drain.



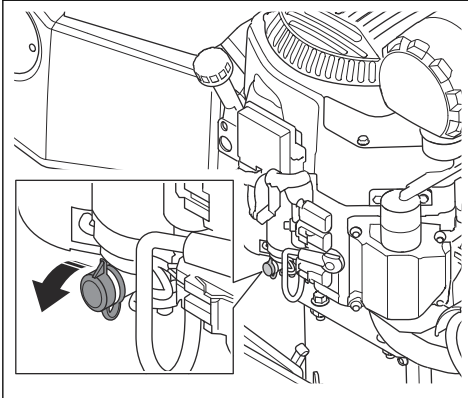
**WARNING:** Do not operate the engine for more than 1–2 minutes before you drain the engine oil. The engine oil becomes very hot and can cause burn injuries. Let the engine become cool down before you drain the engine oil.



**WARNING:** If you spill engine oil on your body, clean with soap and water.

- Put a container below the oil drain plug.

- Remove the oil drain plug.

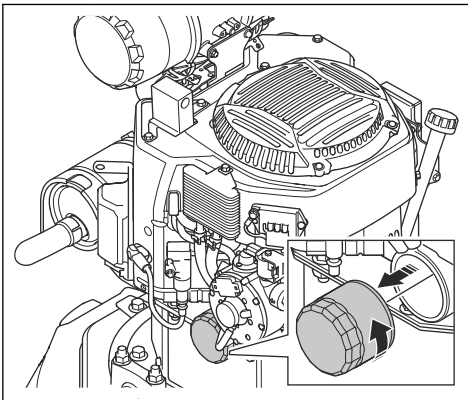


- Drain the oil into the container.
- Attach the oil drain plug and tighten it.
- Fill with new oil. Refer to *Technical data on page 29*.
- Start the engine and let it run at idle speed for 3 minutes.
- Stop the engine and make sure that the oil drain plug does not leak.
- Do a check of the oil level. Refer to *To do a check of the oil level on page 22*.

**Note:** For safe disposal of used engine oil, refer to *Disposal on page 27*.

### To replace the oil filter

- Drain the engine oil, refer to *To replace the engine oil on page 22*.
- Turn the oil filter counterclockwise to remove it.



- Lightly lubricate the rubber seal on the new oil filter with new oil.

- To attach the oil filter, turn it clockwise until the rubber seal is in position. Tighten the oil filter  $\frac{1}{2}$  turn more.
- Fill with new oil. Refer to *Technical data on page 29*.
- Start the engine and let it operate at idle speed for 3 minutes.
- Stop the engine and make sure that the oil filter does not leak.
- Do a check of the oil level.

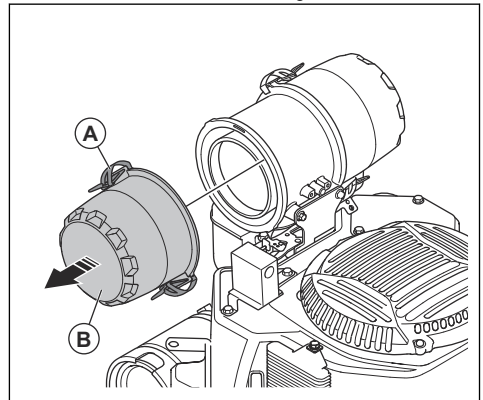
### To replace the air filters



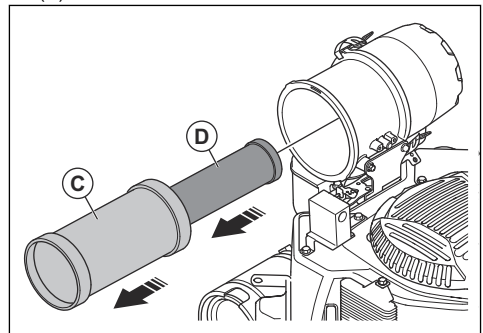
**CAUTION:** Do not operate the product with the air filters removed.

**Note:** Do not clean the air filters. Replace the air filters when it is necessary.

- Open the 2 clamps (A) of the air filter housing (B) and remove the air filter housing.



- Replace the outer air filter (C) and the inner air filter (D).



- Install the new air filters in opposite sequence.

**Note:** If the 2 clamps of the air filter housing cannot be closed, the outer air filter is not correctly installed.

## To examine the spark plug

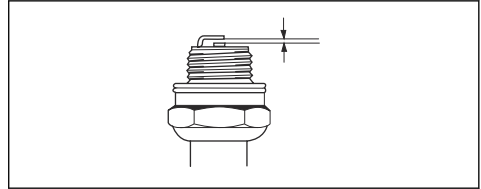


**CAUTION:** Always use the recommended spark plug type. Incorrect spark plug type can cause damage to the product.

- Examine the spark plug if the engine is low on power, is not easy to start or does not operate correctly at idle speed.
- To decrease the risk of unwanted material on the spark plug electrodes, obey these instructions:
  - a) Make sure that the idle speed is correctly adjusted.

- b) Make sure that the fuel mixture is correct.
- c) Make sure that the air filter is clean.

- If the spark plug is dirty, clean it and make sure that the electrode gap is correct, refer to *Technical data on page 29*.



- Replace the spark plug if it is necessary.

## Troubleshooting

Problem	Cause	Solution
The product does not start.	The battery is not charged.	Charge the battery.
	The emergency stop button is engaged.	Turn the emergency stop button on the control panel control clockwise to disengage.
	The safety switch is open in the electrical enclosure.	Close the switch to complete the circuit.
The engine does not start.	The propane tank is empty.	Fill or replace the propane tank.
	The propane tank valve is closed.	Turn the propane tank valve to open the propane tank.
	The ignition is defective.	Speak to an approved service agent.
The engine starts but stops after a short time.	The propane tank is almost empty.	Fill or replace the propane tank.
	The emission module is damaged.	Speak to an approved service agent.
The engine starts but stops after 1-2 minutes.	The signal to the emission module is not correct.	Replace the air filter.
		If the problem continues, speak to an approved service agent.
The engine is on but the grinder does not start.	The belt is broken.	If the belt is broken, let a service center replace it.
		Turn one of the grinding discs by hand. If all grinding discs rotate together, the belt is not damaged. If one grinding disc rotates freely, then the belt is broken.
	The clutch disengages.	Speak to an approved service agent.
The engine stops.	The emission values are higher than permitted levels.	Examine if the indicator on the emission control is on. Speak to an approved service agent.
The product smells of smoke.	The clutch disengages.	Make sure that the engine speed is not between 1200 and 2000 rpm.



<b>Problem</b>	<b>Cause</b>	<b>Solution</b>
The product is not easy to hold on to.	Too small number of diamond tools are installed on the product.	Increase the number of diamond tools to decrease load on product and operator.
	The grinding drive engine does not operate.  This can be caused by fault with engine or fault with wire to the engine.	Make sure that the grinding drive engine is connected.  If the problem continues, speak to an approved service agent.
	The belt is broken.	If the belt is broken, let a service center replace it.  Turn one of the grinding discs by hand. If all grinding discs rotate together, the belt is not damaged. If 1 grinding disc rotates freely, then the belt is broken.
	The surface or the operation uses too much of the product capacity.	Adjust the speed of the engine and/or the forward speed of the product across the floor.
The product sounds as if it increases the speed too much.	The grinding drive engine is not connected.	Make sure that the grinding drive engine is connected.
	The grinding drive engine does not operate.  This can be caused by fault with engine or fault with wire to the engine.	Make sure that the grinding drive engine is connected.  If the problem continues, speak to an approved service agent.
	The surface is too thick or the diamond tool configuration is incorrect.	Push down the handlebar slightly to lift the grinding head from the surface when you start the product.
The product makes an irregular scratch pattern.	The diamond tools are incorrectly attached or attached at different heights on the grinding discs.	Make sure that all diamond tools are installed correctly and have the same height.
	The diamond tools are of mixed types.	Make sure that all segments are the same diamond grit and bond. If the diamond segments are rough, space out the rough diamond segments equally. Operate the product on an abrasive surface until all segments have the same height.
	The head locks are loose or missing.	Make sure that all head locks are in position and tightened.
	The resin tools are mixed or have unwanted contamination.	Make sure that all resins are the same diamond grit and bond and that there is no contamination. To clean the resin tools, operate them for a short time on a lightly abrasive surface
	The grinding discs are worn or damaged.	Examine the grinding discs for broken sections or too much movement.

Problem	Cause	Solution
There are sudden unwanted movements in the product.	The grinding discs are worn or damaged.	Examine the grinding discs for damaged parts and too much movement.
	The diamond tools are incorrectly attached or attached at different heights on the grinding discs.	Make sure that all diamond tools are installed correctly and that all have the same height.
	The head locks are loose or missing.	Make sure that all head locks are in position and tightened.
The fuse releases.	Too high a load or too small fuses.	Do a check of dimension of fuses and inertia.
		Decrease the grinding pressure, or increase the number of diamond tools or increase the bond hardness.

## Transportation, storage and disposal

### Transportation



**WARNING:** Be careful during transportation. The product is heavy and can cause injury or damage if it falls or moves during transportation.

The wheels let you move the product shorter distances. For longer distances, lift the product to move it or put the product on a vehicle.



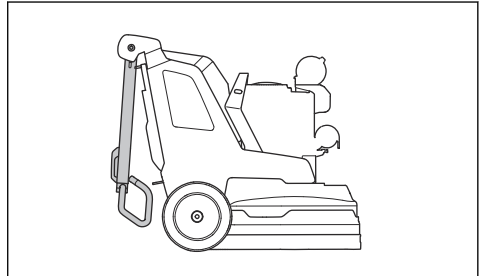
**CAUTION:** Do not tow the product behind a vehicle.

- Be very careful when you move the product manually or on surfaces with a slope. Small slopes can result in a fast movement that is not possible to brake by hand.
- Safety the product during transportation. Make sure that it cannot move.
- Put some type of protection on the product during transportation. The protection keeps natural elements such as rain and snow away from the product.
- Always use the lifting eye on the product when you lift the product.
- Do not lift the product by the handlebar, engine, chassis or other parts.
- Transportation is best done on a pallet.
- Always lift the product with a lift or forklift.
- Do not use a forklift if the product is not put on a pallet or carriage. This can cause damage to the grinding discs and other internal components.
- During transportation, the grinding head must be on the ground. To prevent damage to the lock

mechanism of the tool plates, keep the tool plates installed.

### To set the product in transport position

- Fold down the handle. Refer to *To adjust the handle and the handlebar on page 15*.



- If the weights are attached to the product, adjust the weights to forward position. Refer to *To adjust the weights on page 19*.
- Make sure that the grinding head touches the surface.

### To move the product up and down a ramp



**WARNING:** Be very careful when you move the product up and down ramps with the engine on. The product is heavy and there is a risk of injury if the product falls or moves too quickly.



**WARNING:** For ramps with a steep slope, always use a winch. Do not walk or stay below the product. Do not stay in the

product risk area. Refer to *Work area safety on page 8*.



**WARNING:** Do not move the product on steep slopes. Look at the type plate on the product for information about the maximum slope angle.

- To move the product down a ramp, operate the product rearward slowly.
- To move the product up a ramp, operate the product forward slowly.
- Do not turn the product more than 45° on a ramp.

## To lift the product



**WARNING:** Make sure that the lifting equipment has the correct specification to lift the product safely. The type plate on the product shows the product weight.

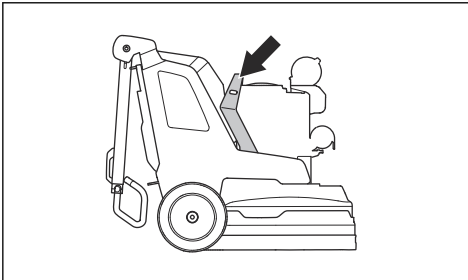


**WARNING:** Do not walk or stay below or near a lifted product. Keep bystanders away from the risk area. Refer to *Work area safety on page 8*.



**WARNING:** Do not lift a damaged product. Make sure that the lifting eye is correctly installed and not damaged.

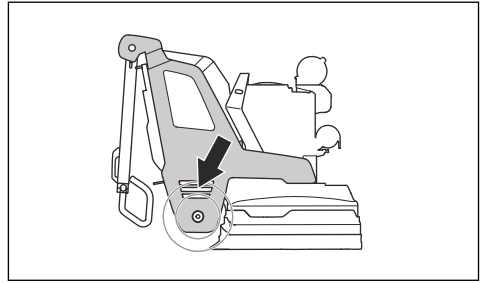
1. Set the product in transport position. Refer to *To set the product in transport position on page 26*.
2. Attach the lifting equipment at the lifting eye.



## To attach the product to a transportation vehicle

The product has holes that are used with tie-down straps to attach the product to the transportation vehicle.

1. Attach the tie-down straps in the holes.



2. Attach and tighten the tie-down straps to the vehicle.

## Storage



**CAUTION:** Do not put the product in storage outdoors. Always keep the product indoors.

- Keep the product in a dry and frost free area.
- Clean the product and do a complete servicing before you put the product in storage.
- Keep the grinding head on the ground.
- Keep the product in a locked area to prevent access for children or persons that are not approved.
- Do not keep propane tanks in a building. Propane tanks must only be indoors during operation of the product. Keep propane tanks in a safe area with sufficient airflow.

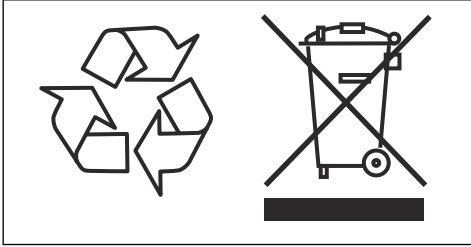
## Disposal

Symbols on the product or the packaging of the product indicate that this product cannot be handled as domestic waste. It must be submitted to an appropriate recycling station for the recovery of electrical and electronic equipment.

Make sure to disconnect the propane tank and remove the battery from the product before submitting to an appropriate recycling station. Submit the battery to an appropriate recycling station.

By ensuring that this product is taken care of correctly, you can help to counteract the potential negative impact on the environment and people that can otherwise result through the incorrect waste management of this product. For more detailed information about recycling this product, contact your municipality, your domestic waste

service or the shop from where you purchased the product.



## Technical data

### Technical data

Engine power, kW/hp	16.2/22
Weight, kg/lbs	481/1060
Grinding width, mm/in.	630/24.8
Grinding disc, mm/in.	3x270/10.5
Grinding pressure, kg/lbs	188/414
Weight in position 1 (forward), kg/lbs	224/538
Weight in position 2 (vertical), kg/lbs	192/423
Weight in position 3 (rearward), kg/lbs	139/306
Grinding disc speed, min/max rpm	675-1010
Grinding head speed, min/max rpm	68-101
Engine speed, rpm	1200-3600
Direction of rotation	Grinding head: clockwise Grinding disc: counterclockwise
Max. gradient, degrees °	10
Type of battery	12 V, 20 Ah
Enclosure, IP	54
Fuel	Propane Vapor withdrawl
Spark plug gap, mm/in.	0.76/0.03
<b>Recommended dust extractor<sup>1</sup></b>	
Dust extractor attachment, mm/in.	75/3
Min. Air flow, m <sup>3</sup> /h /CFM	600/353
Min. Vacuum, kPa/psi	28/4.1

### Sound levels

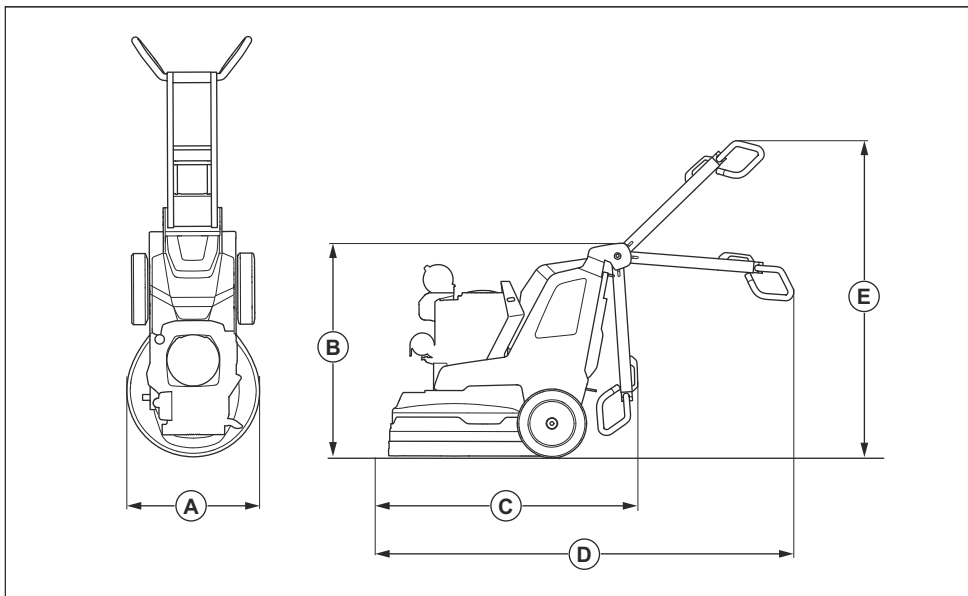
<b>Noise emissions<sup>2</sup></b>	
Sound power level, measured L <sub>W</sub> (dB(A))	102.6

<sup>1</sup> Technical data for dust extractors are not conclusively describing actual performance over time between different dust extractors. For Husqvarna products OSHA objective data are available at [www.husqvarnacp.com/us](http://www.husqvarnacp.com/us).

<sup>2</sup> Noise emission in the environment measured as sound power according to EN 60335-2-72. Expected measurement uncertainty 2,5 dB(A).

<b>Sound levels<sup>3</sup></b>	
Sound pressure level at the operators ear, $L_p$ (dB(A))	80.9
<b>Vibration levels<sup>4</sup></b>	
Handle right, $m/s^2$	1.9
Handle left, $m/s^2$	1.9

## Product dimensions



<b>A</b>	Width, mm/in.	670/26.4
<b>B</b>	Min. total height (handle folded), mm/in.	1145/45.1
<b>C</b>	Min. total length (handle folded), mm/in.	1390/54.7
<b>D</b>	Max. total length (handle extended), mm/in.	2125/83.7
<b>E</b>	Max. total height (handle extended), mm/in.	1700/66.9

<sup>3</sup> Sound pressure level according to EN 60335-2-72. Expected measurement uncertainty 4 dB(A).

<sup>4</sup> Vibration level according to EN 60335-1 and EN 60335-2-72. Reported data for vibration level has a typical statistical dispersion (standard deviation) of 1  $m/s^2$ . The vibration values are valid for manual operation.

---

# Contenido

---

Introducción.....	31	Solución de problemas.....	54
Seguridad.....	36	Transporte, almacenamiento y eliminación de residuos.....	56
Funcionamiento.....	40	Datos técnicos.....	59
Mantenimiento.....	49		

---

## Introducción

---

### Responsabilidad del propietario

---



**ADVERTENCIA:** El procesamiento de hormigón y piedra mediante métodos como corte, amolado o perforación, especialmente en operaciones en seco, genera polvo que proviene del material procesado y a menudo contiene sílice. La sílice es un componente básico de la arena, el cuarzo, la arcilla de los ladrillos, el granito y otros numerosos minerales y rocas. La exposición a una cantidad excesiva de ese polvo puede causar:

Producto de la exposición a la sílice se pueden ocasionar enfermedades respiratorias (que afectan la capacidad de respirar) como la bronquitis crónica, la silicosis y la fibrosis pulmonar. Estas enfermedades pueden ser mortales.

Irritación cutánea y sarpullido.

Cáncer, según el NTP\* y la IARC\* \*/National Toxicology Program (Programa Nacional de Toxicología) y Centro Internacional de Investigaciones sobre el Cáncer.

Tome medidas preventivas:

Evite inhalar y que su piel entre en contacto con el polvo, el vaho y los gases.

Utilice artículos apropiados para la protección respiratoria como máscaras contra polvo diseñadas para filtrar partículas microscópicas, y asegúrese de que todas las personas que se encuentren cerca también lo hagan. (Consulte la normativa OSHA 29 CFR Parte 1926.1153)

Para reducir al mínimo las emisiones de polvo, utilice agua para aglomerar el polvo cuando sea posible. Si es necesario realizar una operación en seco, utilice un extractor de polvo adecuado.

---

Es responsabilidad del propietario o empleador que el usuario tenga los conocimientos necesarios sobre cómo utilizar el producto de forma segura. Los supervisores y usuarios deben haber leído y comprendido el manual de usuario. Deben tener conocimiento de lo siguiente:

- Las instrucciones de seguridad del producto.
- La gama de aplicaciones y limitaciones del producto.
- Cómo el producto se va a utilizar y mantener.

El uso de este producto podría estar restringido por normas nacionales o locales. Infórmese sobre qué normas se aplican en el lugar donde trabaja antes de comenzar a utilizar el producto.

### Descripción del producto

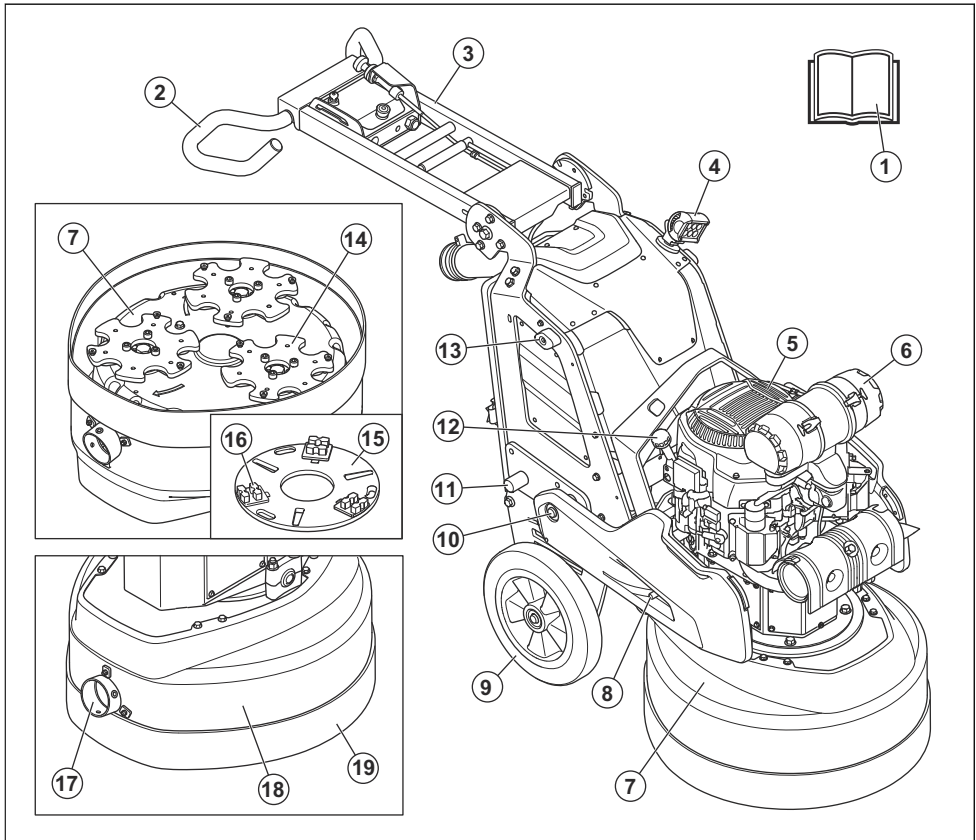
El producto es una amoladora de piso para superficies de diferentes grados de dureza. El producto cuenta con un motor de propano.

### Uso previsto

El producto se utiliza para amolar superficies de materiales con distinta dureza, como piedra natural, terrazo y hormigón. También utilice el producto para amolar materiales de cubierta como epoxi y pegamento. El acabado de la superficie puede ser áspero o liso. El producto se puede utilizar para amolar en seco y húmedo. No utilice el producto para otras tareas.

Los operadores profesionales utilizan el producto en operaciones comerciales.

## Descripción general del producto, lado derecho

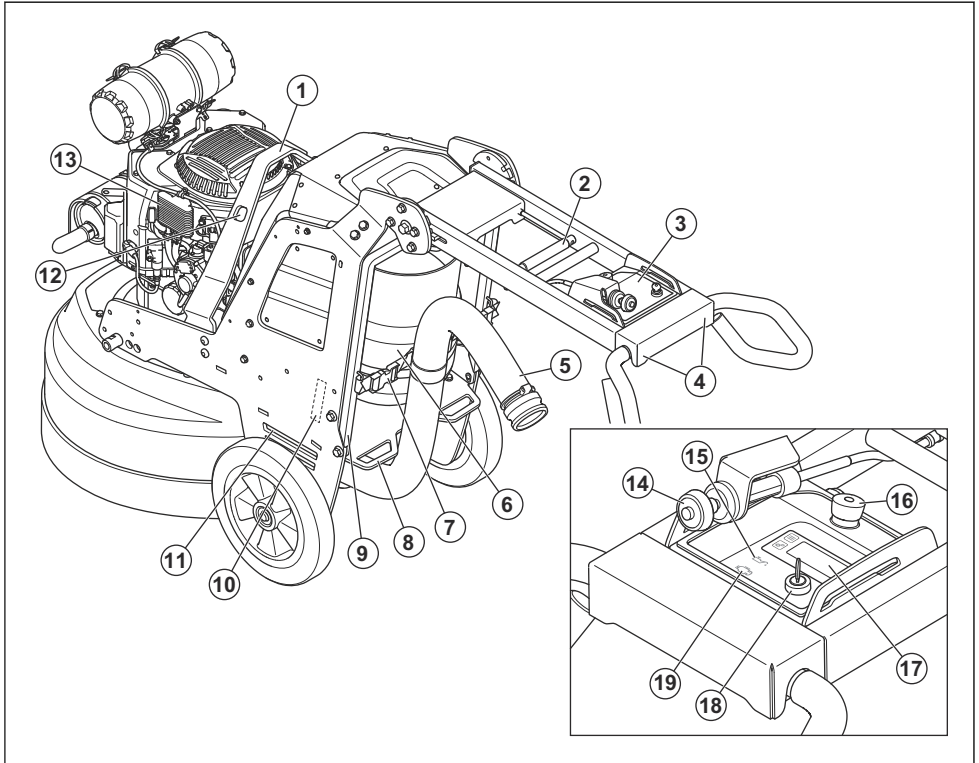


1. Manual del usuario
2. Manillar
3. Manilla
4. Faro (accesorio)
5. Motor
6. Filtro de aire
7. Base de la amoladora
8. Bloqueo de peso
9. Rueda
10. Pesos (accesorio)

11. Soporte de peso
12. Llenado de aceite y varilla de nivel
13. Soporte de contrapeso
14. Disco amoladora
15. Disco de amolar
16. Herramienta de diamante (accesorio)
17. Conexión para el extractor de polvo
18. Cubierta
19. Faldón de protección contra el polvo

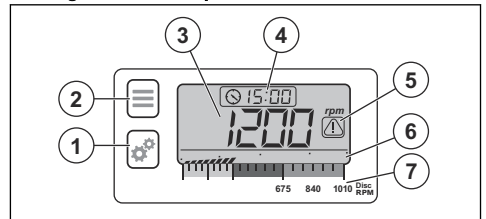


## Descripción general del producto, lado izquierdo



1. Cáncamo
2. Palanca de bloqueo para ajuste del mango
3. Panel de control
4. Tornillos de ajuste del manillar
5. Conexión para el extractor de polvo
6. Depósito de propano
7. Dispositivo de suspensión para el extractor de polvo
8. Soporte del depósito de propano
9. Bastidor de soporte
10. Placa de identificación
11. Orificios para las correas
12. Orificios para las correas
13. Aletas de refrigeración de aceite
14. Control del acelerador
15. Indicador de presión de aceite
16. Botón de parada de emergencia
17. Pantalla
18. Bloqueo del encendido
19. Indicador de revisión del motor

### Vista general de la pantalla



1. Botón de ajuste
2. Botón de menú
3. Rpm del motor
4. Reloj
5. Advertencia
6. Calibrador de las rpm del motor
7. Rpm de los discos amoladora

### Para utilizar la pantalla

Utilice el botón de menú y el botón de ajuste para controlar la pantalla.

1. Presione el botón de menú rápidamente para moverse entre las selecciones de la pantalla.
2. Mantenga presionado el botón de menú para ir a la opción seleccionada.
3. En la selección, presione rápidamente el botón de menú para seleccionar entre ENCENDIDO/ APAGADO.
4. En la selección, presione el botón de ajuste para ajustar la opción seleccionada.
5. Mantenga presionado el botón de menú para bloquear la selección y volver al menú principal.

**Tenga en cuenta:** La pantalla vuelve al menú principal si no se utiliza durante 10 segundos.

### Menú de la pantalla

Selecciones de menú	Información y ajuste básico	Opciones de ajuste
Tiempo de funcionamiento total	Muestra el tiempo que se ha utilizado el producto.	N/A
Tiempo hasta el siguiente mantenimiento	Muestra las horas que faltan antes de que sea necesario realizar un mantenimiento.	Seleccione "ENCENDIDO" para restablecer.
Rpm máx.	Muestra las rpm máximas utilizadas durante la última operación.	Seleccione "ENCENDIDO" para borrar.
Encendido	El ajuste básico es "1P1r".	N/A
Límite de rpm	Ajuste el rango de rpm entre 2000 y 3600 rpm.	Las rpm se agregan en incrementos de 100 rpm presionando el botón de ajuste rápidamente. Si el botón de ajuste se mantiene presionado, se agregan incrementos de 1000 rpm.

Selecciones de menú	Información y ajuste básico	Opciones de ajuste
Advertencia de rpm	El ajuste básico es "APAGADO".  Si está ajustado en "ENCENDIDO", el producto emite una advertencia en un valor de rpm seleccionado.	Las rpm se agregan en incrementos de 100 rpm presionando el botón de ajuste rápidamente. Si el botón de ajuste se mantiene presionado, se agregan incrementos de 1000 rpm.
Advertencia de mantenimiento	El ajuste básico es de 100 h.  El producto emite una advertencia cuando se ha utilizado durante esta cantidad de horas.	Las horas se agregan en incrementos de 1 h presionando el botón de ajuste rápidamente. Si el botón de ajuste se mantiene presionado, se agregan incrementos de 10 h.
Advertencia de voltaje	El ajuste básico es de 11,0 V.  El producto emite una advertencia en este valor de voltaje.	El voltaje se agrega en incrementos de 0,1 V presionando el botón de ajuste rápidamente. Si el botón de ajuste se mantiene presionado, se agregan incrementos de 1 V.
Tensión de la batería	Muestra el voltaje medido de la batería en V.	N/A
Restauración de los ajustes de fábrica	Restablece el producto a la configuración de fábrica.	No lo utilice.

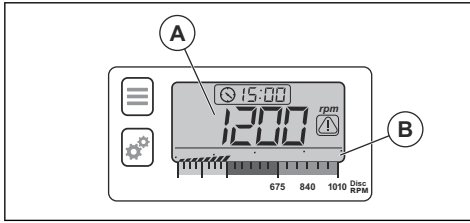
### Símbolos de advertencia de la pantalla

La pantalla puede mostrar símbolos de advertencia.

- Advertencia de rpm: la pantalla muestra un triángulo de advertencia.
- Advertencia de batería baja: la pantalla muestra las letras "LOU" y un triángulo de advertencia.
- Advertencia de mantenimiento: la pantalla muestra las letras "SUC" y un triángulo de advertencia.

### Rpm del motor

La pantalla muestra las rpm del motor (A). El calibrador (B) en la pantalla muestra la cantidad de rpm del motor que se utiliza.



El calibrador tiene 3 campos de diferente color:

- Campo naranja: régimen de ralentí, de 0 a 1200 rpm.
- Campo rojo: se conecta el embrague, de 1200 a 2000 rpm.

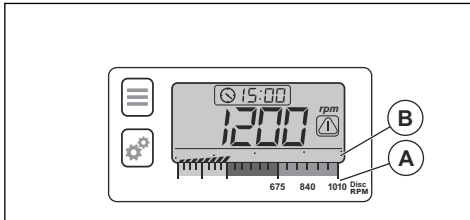


**AVISO:** No utilice el producto entre 1200 y 2400 rpm. El embrague puede desacoplarse.

- Campo verde: el producto se puede utilizar, entre 2400 y 3600 rpm.

### Rpm de los discos amoladora

La velocidad de los discos amoladora está relacionada con la velocidad del motor. El calibrador (B) en la pantalla muestra la cantidad de rpm del motor que se utiliza. La tabla (A) bajo la pantalla muestra las rpm de los discos amoladora en relación con las rpm del motor. Cuando el producto se utiliza al régimen máximo del motor, a 3600 rpm, la velocidad de los discos amoladora se encuentra a un máximo de 1010 rpm.



### Para mostrar y establecer la hora en la pantalla

El reloj puede mostrar la hora actual, el tiempo total de funcionamiento o el tiempo hasta el mantenimiento del producto.

- Para cambiar la hora:
  - a) Mantenga presionado el botón de menú para ir a la selección del reloj.
  - b) Presione el botón de ajuste rápidamente para cambiar la hora.
- Para mostrar el tiempo total de funcionamiento, presione rápidamente el botón de menú una vez.
- Para mostrar el tiempo hasta el próximo mantenimiento, presione rápidamente el botón de menú 7 veces hasta que aparezcan las letras "SUC".

## Símbolos en la máquina



**ADVERTENCIA:** Este producto puede ser peligroso y provocar daños graves o fatales al operador o a otras personas. Tenga cuidado y utilice el producto correctamente.



Lea atentamente el manual y asegúrese de que entienda las instrucciones antes de usar el producto.



Utilice protectores auriculares, protección ocular y protección respiratoria. Consulte *Equipo de protección personal en la página 37*.



El polvo puede provocar problemas de salud. Utilice una protección respiratoria aprobada. Asegúrese de que haya buena ventilación.



El propano es muy inflamable y explosivo.



Levante siempre el producto por el cáncamo.



Utilice los orificios para las correas de sujeción para sujetar el producto a un vehículo de transporte.



Doble aislamiento, batería y cargador de batería.



Utilice y almacene el cargador de batería solamente en interiores.



El producto no es un residuo doméstico. Recíclalo en un sitio de reciclaje aprobado para equipos eléctricos y electrónicos.

**Tenga en cuenta:** Otros símbolos o etiquetas en el producto hacen referencia a requisitos de certificación especiales para algunos mercados.

## Símbolos del panel de control



Parada de emergencia.



Revise el motor y comuníquese con un taller de servicio aprobado.



La presión de aceite es baja, revise el nivel de aceite. Si es necesario, comuníquese con un taller de servicio aprobado.



Botón de menú para la pantalla.

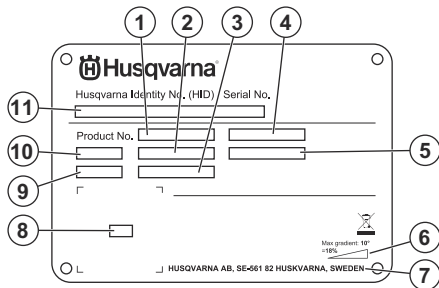


Botón de ajuste para la pantalla.



Puesta en marcha del motor.

## Placa de identificación



1. Número de la máquina
2. Peso del producto
3. Potencia del motor

4. Velocidad del motor
5. Carcasa
6. Ángulo máximo de pendiente
7. Fabricante
8. Código escaneable
9. Año de fabricación
10. Modelo
11. Número de serie

## Responsabilidad del fabricante

Como se menciona en las leyes de responsabilidad del fabricante, no nos hacemos responsables de los daños que cause nuestro producto si:

- el producto se repara incorrectamente
- el producto se repara con piezas que no son del fabricante o que este no autoriza
- el producto tiene un accesorio que no es del fabricante o que este no autoriza
- el producto no se repara en un centro de servicio autorizado o por una autoridad aprobada.

## Husqvarna Fleet Services™

Husqvarna Fleet Services™ es una solución en la nube que le proporciona al operador una descripción general de todos los productos que están conectados. En este producto puede haber un sensor Husqvarna Fleet Services™ instalado. El sensor Husqvarna Fleet Services™ recopila datos del producto y le permite conectarse al sistema Husqvarna Fleet Services™. El sistema Husqvarna Fleet Services™ informa datos tales como el tiempo de funcionamiento, intervalos de mantenimiento y ubicación del producto.

Para obtener más información acerca de Husqvarna Fleet Services™, descargue la aplicación Husqvarna Fleet Services™ o hable con el representante de Husqvarna.

## Seguridad

### Definiciones de seguridad

Las advertencias, precauciones y notas se utilizan para señalar las piezas particularmente importantes del manual.



**ADVERTENCIA:** Se utilizan para señalar el riesgo de lesiones graves o mortales para el operador o para aquellos que se encuentren cerca si no se siguen las instrucciones del manual.



**AVISO:** Se utilizan para señalar el riesgo de dañar la máquina, otros materiales o el área

adyacente si no se siguen las instrucciones del manual.

**Tenga en cuenta:** Se utilizan para entregar más información necesaria en situaciones particulares.

### Instrucciones generales de seguridad



**ADVERTENCIA:** Lea atentamente las instrucciones de advertencia siguientes antes de usar el producto.

- Este producto puede ser una herramienta peligrosa si no se maneja con cuidado o si utiliza el producto de forma incorrecta. Este producto puede causar

daños graves o fatales al operador o a otras personas. Antes de utilizar el producto, es muy importante que lea y comprenda el contenido de este manual de usuario.

- Guarde todas las advertencias y las instrucciones.
- Cumpla todas las leyes y reglamentos vigentes.
- El operador y el empleador del operador deben conocer y evitar los riesgos durante la operación del producto.
- No permita que nadie que no haya leído y comprendido el contenido del manual de usuario utilice el producto.
- No utilice el producto si no ha recibido capacitación antes de su uso. Asegúrese de que todos los usuarios reciban capacitación.
- No deje que un niño utilice el producto.
- Restrinja el uso del producto solo a personas autorizadas.
- El operador es responsable de los accidentes que puedan ocurrirles a otras personas o a sus propiedades.
- No utilice el producto si está cansado, enfermo o bajo la influencia de alcohol, drogas o medicamentos.
- Sea siempre cuidadoso y use el sentido común.
- En este producto se genera un campo electromagnético durante su funcionamiento. Este campo puede, en determinadas circunstancias, interferir en implantes médicos activos o pasivos. Para reducir el riesgo de daños graves o mortales, se recomienda que las personas con implantes médicos consulten a su médico y al fabricante del implante médico antes de utilizar este producto.
- Mantenga la máquina limpia. Asegúrese de que puede leer señales y etiquetas claramente.
- No utilice el producto si se encuentra defectuoso.
- No modifique este producto.
- No utilice el producto si es posible que otras personas hayan realizado modificaciones en el mismo.

## Instrucciones de seguridad para el funcionamiento



**ADVERTENCIA:** Lea atentamente las instrucciones de advertencia siguientes antes de usar el producto.

- Utilice equipo de protección personal. Consulte *Equipo de protección personal en la página 37*.
- No utilice el producto en áreas donde se pueden producir explosiones o fuego.
- No se aleje del producto cuando el motor esté en marcha.
- Siempre apague el motor si se va a alejar del producto.
- No tire de la manguera del extractor de polvo. El producto puede caer y provocar lesiones y daños.

- La base de la amoladora debe tocar la superficie cuando se arranca el producto.
- No arranque el producto sin el faldón de protección contra el polvo instalado. El faldón de protección contra el polvo debe crear un sello completo entre el producto y el piso.
- Manténgase alejado de las zonas donde el producto pueda causar lesiones. El producto puede cambiar de posición rápidamente y alcanzarlo.
- Si el producto no funciona correctamente, detenga el motor.
- Asegúrese de que ninguna prenda, cabello largo o joya puedan quedar atrapados en las piezas móviles.
- Asegúrese de encontrarse en una posición segura y estable durante la operación.
- No utilice el producto si no puede recibir ayuda en caso de que ocurra un accidente.
- Si el producto vibra o el nivel de ruido del producto es inusualmente alto, deténgalo de inmediato. Examine el producto en busca de daños. Repare los daños o solicite a un taller de servicio autorizado que realice la reparación.
- La sobreexposición a las vibraciones puede producir trastornos vasculares o daños al sistema nervioso en las personas que padecen problemas de circulación. Obtenga asistencia médica si experimenta síntomas de sobreexposición a las vibraciones. Estos síntomas incluyen entumecimiento, pérdida de sensibilidad, hormigueo, ardor, dolor, pérdida de fuerza, y cambios en el color o el estado de la piel. Normalmente, estos síntomas se presentan en los dedos, las manos o las muñecas.
- Siempre utilice accesorios homologados. Póngase en contacto con su concesionario para obtener más información.

## Equipo de protección personal



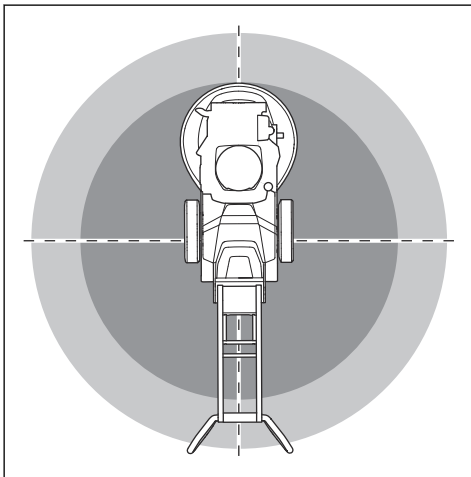
**ADVERTENCIA:** Lea atentamente las instrucciones de advertencia siguientes antes de usar el producto.

- Utilice siempre el equipo de protección personal adecuado cuando utilice el producto. El equipo de protección personal no elimina el riesgo de lesiones. El equipo de protección personal disminuye el grado de la lesión en caso de un accidente. Permita que su distribuidor le ayude seleccionar el equipo adecuado.
- Use una protección ocular aprobada cuando emplee el producto.
- No utilice prendas flojas, pesadas y no apropiadas. Utilice ropa que le permita moverse libremente.
- Utilice guantes protectores aprobados que permitan un agarre firme.
- Utilice guantes protectores de goma para evitar la irritación de la piel causada por el hormigón húmedo.

- Utilice un casco protector aprobado.
- Utilice siempre protectores auriculares aprobados cuando emplee el producto. Escuchar ruidos durante un largo período puede provocar pérdida de audición inducida por el ruido.
- El producto genera polvo y gases que contienen químicos peligrosos. Utilice protección respiratoria aprobada.
- Utilice botas con punta de acero y suela antideslizante.
- Asegúrese de tener un botiquín de primeros auxilios.
- Se pueden generar chispas cuando utilice el producto. Asegúrese de tener cerca un extintor de incendios.

## Seguridad en el área de trabajo

- Durante el funcionamiento, mantenga a las personas alejadas de la zona que se muestra en la ilustración a continuación. El operador debe tener mucho cuidado en esta zona durante la operación.



- Asegúrese de que solo personas autorizadas estén en la zona de trabajo.
- No use el producto en condiciones de niebla, lluvia, vientos fuertes, clima frío, riesgo de rayos u otras condiciones climáticas adversas. Su estado de alerta se puede ver afectado negativamente si utiliza el producto en mal tiempo o en lugares húmedos. El mal tiempo puede provocar condiciones de trabajo peligrosas.
- Tenga cuidado con personas, objetos y situaciones que puedan impedir el funcionamiento seguro del producto.
- Mantenga el área de trabajo suficientemente iluminada.
- No utilice el producto en áreas donde se pueden producir explosiones o fuego.

## Seguridad en el uso del propano



**ADVERTENCIA:** Lea atentamente las instrucciones de advertencia siguientes antes de usar el producto.

- El propano es inflamable y sus gases son explosivos. Tenga cuidado para evitar lesiones, incendios y explosiones.
- Lea todas las instrucciones del producto y del depósito de propano.
- No cambie el equipo de control de propano. Si modifica el equipo de control de propano puede ocasionar que las emisiones del motor alcancen niveles peligrosos.
- No inhale los gases del combustible. Los gases del combustible son tóxicos y pueden provocar lesiones. Asegúrese de que el flujo de aire sea suficiente.
- No arranque el motor en un área sin suficiente flujo de aire. El propano es más pesado que el aire y puede acumularse en zonas bajas. Si no hay suficiente flujo de aire, aumenta el riesgo de incendio o explosión a causa de chispas, así como el riesgo de lesiones provocadas por los gases.
- No fume cerca del producto, del motor o del depósito de propano.
- No coloque objetos calientes cerca del propano ni del motor.
- Mantenga el producto alejado de chispas o llamas.
- Examine regularmente si hay fugas en el sistema de suministro de propano. Si hay fugas, no arranque el motor hasta que estén reparadas.
- No mantenga los tanques de propano dentro de un edificio. Los tanques de propano solo deben estar en interiores mientras se utiliza el producto.
- Mantenga los tanques de propano en una zona segura con suficiente flujo de aire.

## Seguridad de los gases de escape



**ADVERTENCIA:** Lea atentamente las instrucciones de advertencia siguientes antes de usar el producto.

- La inhalación a largo plazo de los gases de escape puede causar problemas de salud.
- Los gases de escape del motor contienen monóxido de carbono, un gas inodoro, tóxico y muy peligroso. Respirar monóxido de carbono puede provocar la muerte. Dado que el monóxido de carbono es inodoro y no se puede ver, no es posible detectarlo. Un síntoma de intoxicación por monóxido de carbono es el mareo, pero también es posible que la persona pierda la conciencia sin previo aviso si la cantidad o concentración de monóxido de carbono es suficiente.
- Los gases de escape que se pueden ver u oler también contienen monóxido de carbono.

- No utilice un producto con motor de combustión en interiores ni en zonas sin suficiente flujo de aire.

## Seguridad de la batería



**ADVERTENCIA:** Lea atentamente las instrucciones de advertencia siguientes antes de usar el producto.

- Utilice solo las baterías que recomendamos para su producto. Las baterías cuentan con un software cifrado.
- Utilice solamente baterías originales para este producto. Existe riesgo de explosión si se reemplazan las baterías por baterías de tipo incorrecto. Comuníquese con su concesionario para obtener más información.
- Utilice baterías recargables como fuente de alimentación solo para los productos Husqvarna relacionados. Para evitar daños, no utilice la batería como fuente de alimentación en otros dispositivos.
- Riesgo de sacudida eléctrica. No conecte los terminales de la batería a llaves, tornillos ni a otros objetos metálicos. Esto puede provocar un cortocircuito de la batería.
- Si se produce una filtración en la batería, no permita que el líquido entre en contacto con la piel o los ojos. Si toca el líquido, limpie el área con agua abundante y solicite asistencia médica.
- No utilice baterías no recargables.
- No modifique la batería.
- No introduzca objetos en las ranuras de aire de la batería.
- Mantenga la batería alejada de la luz solar, del calor o de llamas. La batería puede explotar y causar quemaduras por fuego o químicas.
- Mantenga la batería alejada de condiciones húmedas y de la lluvia.
- Mantenga la batería alejada de microondas y de alta presión.
- No intente desarmar o romper la batería.
- Utilice la batería a temperaturas entre -10 °C/14 °F y 40 °C/104 °F.
- No limpie con agua la batería o el cargador de batería. Consulte *Para limpiar la batería y el cargador de batería en la página 50*.
- No utilice una batería dañada o defectuosa.
- Almacene las baterías en compartimientos alejados de objetos metálicos, como clavos, tornillos o joyas.
- Mantenga las baterías alejadas de los niños.

## Dispositivos de seguridad en el producto



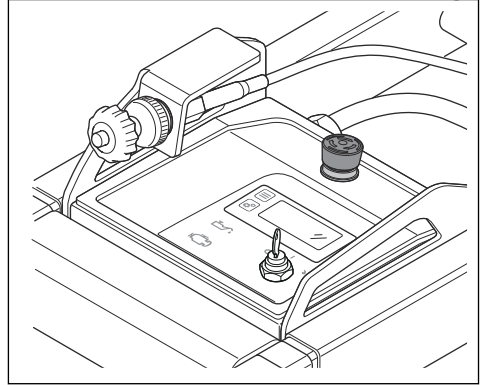
**ADVERTENCIA:** Lea atentamente las instrucciones de advertencia siguientes antes de usar el producto.

- No utilice un producto con dispositivos de seguridad defectuosos.

- Revise los dispositivos de seguridad de forma regular. Si los dispositivos de seguridad están defectuosos, comuníquese con su taller de servicio Husqvarna.

## Botón de parada de emergencia

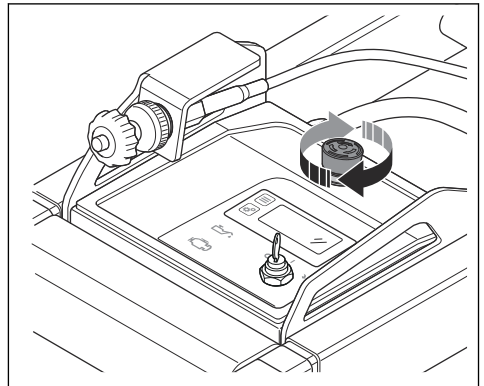
El botón de parada de emergencia se utiliza para detener rápidamente el motor. El botón de parada de emergencia interrumpe el suministro de electricidad del producto.



**AVISO:** No utilice el botón de parada de emergencia como botón de parada del producto.

## Para revisar el botón de parada de emergencia

1. Gire el botón de parada de emergencia en el sentido de las agujas del reloj en el panel de control para asegurarse de que el botón de parada de emergencia esté desactivado.



2. Arranque el motor. Consulte *Para poner en marcha el producto en la página 45*.
3. Presione el botón de parada de emergencia.

4. Gire el botón de parada de emergencia en el sentido de las agujas del reloj para desactivarlo.

## Instrucciones de seguridad para el mantenimiento

- Mantenga todas las piezas en buen estado y asegúrese de que todos los componentes fijos estén ajustados correctamente.
- No utilice un producto que esté defectuoso. Realice los controles de seguridad y de mantenimiento como se describe en este manual. Todas las demás tareas de mantenimiento se deben realizar en un taller de servicio autorizado.

- Solo personal de servicio aprobado para sistemas de propano debe realizar la instalación y la reparación del sistema de suministro de propano.
- Detenga el producto cuando cambie las herramientas de diamante. Gire la llave de encendido a la posición 0 y presione el botón de parada de emergencia.
- Realice la inspección o el mantenimiento con el motor detenido.
- Realice mantenimiento para asegurarse de que el producto funcione correctamente. Consulte *Programa de mantenimiento en la página 49*.

---

## Funcionamiento

---

### Introducción



**ADVERTENCIA:** Antes de utilizar el producto, debe leer y entender el capítulo sobre seguridad.

### Para extraer el producto del paquete.



**ADVERTENCIA:** Mueva el producto del palé con cuidado y de forma segura. El producto es pesado y puede causar daños graves si se cae.

- Asegúrese de que se incluyan todos los elementos que se muestran en la descripción general del producto. Consulte *Descripción general del producto, lado derecho en la página 32*. Comuníquese con el distribuidor de Husqvarna si falta algún elemento o está dañado antes de mover el producto desde el palé.
- Quite todos los calces para ruedas y correas del paquete.
- Asegúrese de que el área esté despejada y de que tenga suficiente espacio para mover el producto.
- Asegúrese de que no haya riesgo de que usted o el producto puedan caer.
- Utilice un equipo de elevación o rampas para mover el producto desde el palé. El producto es pesado. Mueva el producto con seguridad. Consulte *Transporte en la página 56*.

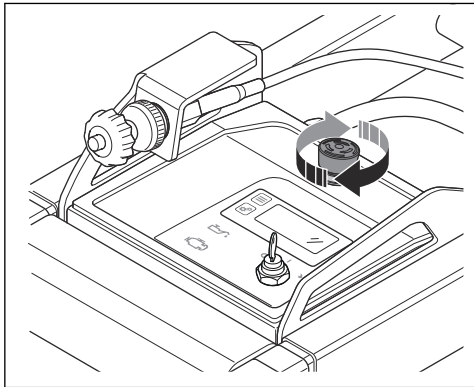
### Haga lo siguiente antes de usar el producto

1. Lea atentamente el manual del usuario y asegúrese de entender las instrucciones.
2. Colóquese el equipo de protección personal necesario. Consulte *Equipo de protección personal en la página 37*.
3. Asegúrese de que solo personas autorizadas estén en la zona de trabajo.

4. Realice un mantenimiento diario. Consulte *Programa de mantenimiento en la página 49*.
5. Revise que el producto esté montado correctamente y que no esté dañado.
6. Coloque el producto en el área de trabajo. Asegúrese de que el transporte del producto hacia la zona de trabajo y desde esta se realice de forma segura y correcta. Consulte *Transporte en la página 56*.
7. Asegúrese de que haya herramientas de diamante en las placas de herramientas y de que las herramientas de diamante estén firmemente colocadas.
8. Conecte un extractor de polvo al producto. Consulte *Para conectar un extractor de polvo en la página 43*.
9. Ajuste el mango y el manillar a una altura de funcionamiento adecuada. Consulte *Para ajustar el mango y el manillar en la página 44*.
10. Asegúrese de que la batería esté conectada. Consulte *Para conectar la batería en la página 45*.
11. Asegúrese de que el depósito de propano esté conectado. Consulte *Para conectar y desconectar el depósito de propano en la página 45*.



12. Gire el botón de parada de emergencia en el sentido de las agujas del reloj en el panel de control para asegurarse de que el botón de parada de emergencia esté desactivado.



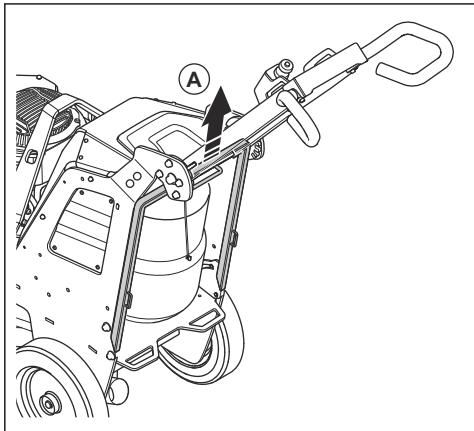
## Para acoplar y desacoplar el bastidor de soporte

El producto tiene un bastidor de soporte que se utiliza para inclinar el producto hacia atrás. Además, el bastidor de soporte se utiliza como un dispositivo de suspensión para colgar la manguera del extractor de polvo y el cable de alimentación.

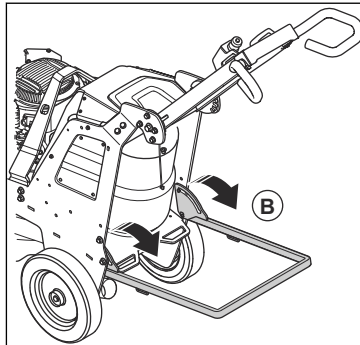


**ADVERTENCIA:** Tenga cuidado cuando mueva el bastidor de soporte. Las piezas móviles pueden provocar lesiones.

1. Levante un poco el bastidor de soporte (A).



2. Baje el bastidor de soporte (B).



3. Pliegue el bastidor de soporte en la secuencia opuesta.

## Herramientas de diamante

Hay varios tipos y configuraciones de herramientas de diamante para el producto. Las herramientas diamantadas con base metálica se utilizan para la extracción de material y las herramientas diamantadas con base de resina se utilizan para pulir las superficies. Seleccione las herramientas de diamante correctas según la superficie. Comuníquese con su distribuidor Husqvarna o vaya a [www.husqvarnacp.com](http://www.husqvarnacp.com) para obtener asistencia para seleccionar la herramienta correcta.

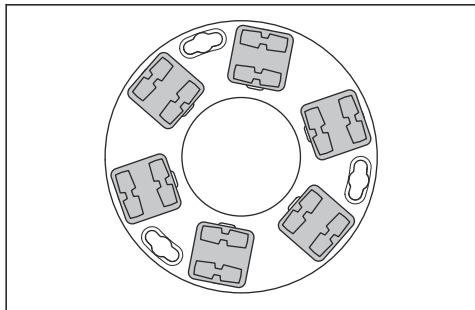
### Alternativas de soporte de discos para herramientas de diamante

- Utilice un soporte de disco Redi lock para instalar las herramientas diamantadas con base metálica.
- Utilice un soporte de disco de resina para instalar las herramientas diamantadas con base de plástico.

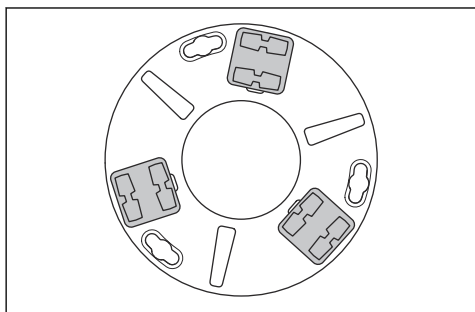
### Juego completo y medio juego de herramientas de diamante

La configuración de los segmentos de las herramientas de diamante tiene un efecto sobre la calidad final de la superficie. La configuración también tiene un efecto en la tasa de funcionamiento del producto.

- Juego completo de herramientas de diamante: Esta configuración se aplica a un acabado de piso plano.



- Medio juego de herramientas de diamante: Esta configuración se aplica cuando no se necesita un acabado de piso plano.



## Para reemplazar las herramientas de diamante



**ADVERTENCIA:** Utilice guantes protectores, ya que las herramientas de diamante pueden calentarse mucho.



**ADVERTENCIA:** Utilice una protección respiratoria aprobada cuando reemplace las herramientas de diamante. El polvo bajo la base de la amoladora es peligroso para la salud.

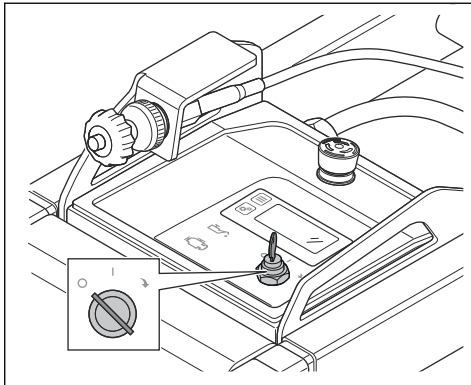


**ADVERTENCIA:** Utilice el extractor de polvo cuando reemplace las herramientas de diamante. El extractor de polvo disminuye el polvo que puede provocar problemas de salud.

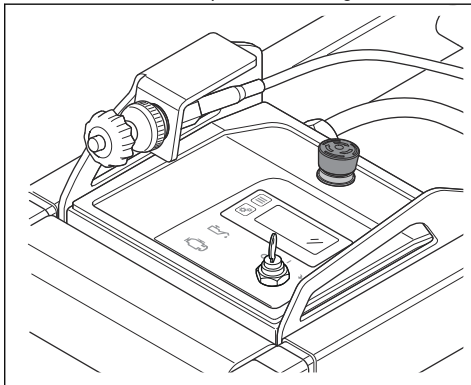


**AVISO:** Todos los discos amoladora deben tener siempre la misma cantidad y tipo de diamantes. La altura de los diamantes debe ser la misma en todos los discos amoladora.

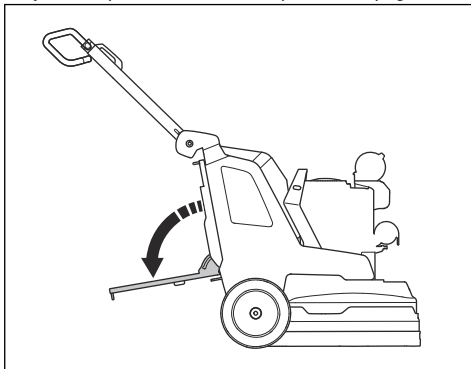
1. Gire la llave de encendido a la posición 0.



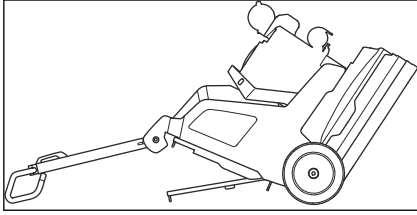
2. Presione el botón de parada de emergencia.



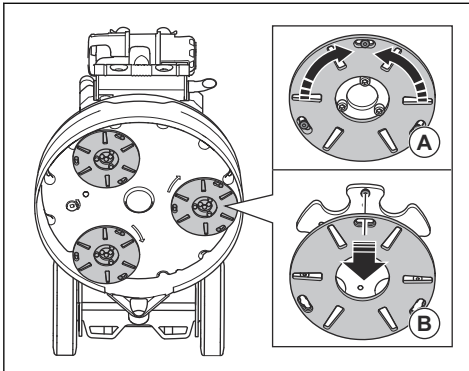
3. Coloque el mango en la posición de servicio. Consulte *Posiciones del mango en la página 48*.
4. Si están instalados los pesos, colóquelos hacia atrás. Consulte *Para ajustar los pesos en la página 49*.
5. Acople el bastidor de soporte. Consulte *Para acoplar y desacoplar el bastidor de soporte en la página 41*.



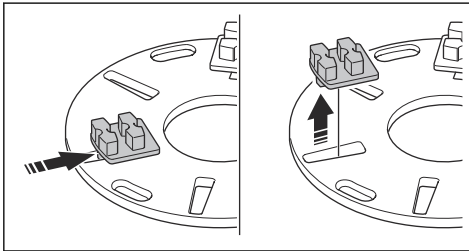
6. Sujete el manillar y, con un pie en el bastidor de soporte, incline el producto hacia atrás. Incline el producto hasta que el manillar esté en el piso.



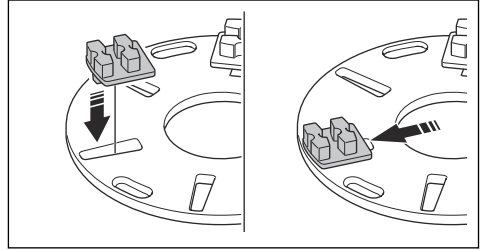
7. Utilice guantes protectores.
8. Gire la placa de herramientas (A) hacia la derecha o hacia la izquierda para desbloquearla del disco amoladora.



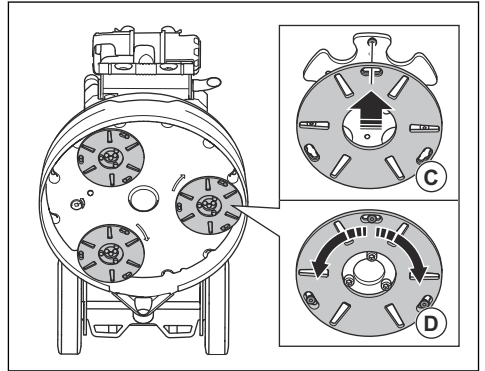
9. Tire de la placa de herramientas hacia afuera (B) para quitarla del disco amoladora.
10. Utilice un martillo para quitar las herramientas de diamante de la placa de herramientas.



11. Conecte herramientas de diamante nuevas a la placa de herramientas con un golpe suave del martillo.



12. Coloque la placa de herramientas recta (C) en el disco amoladora.



13. Gire la placa de herramientas (D) hacia la derecha o hacia la izquierda para bloquearla en el disco amoladora.
14. Levante cuidadosamente el producto a una posición adecuada para funcionar. Utilice el manillar y el bastidor de soporte como apoyo.
15. Desacople el bastidor de soporte.

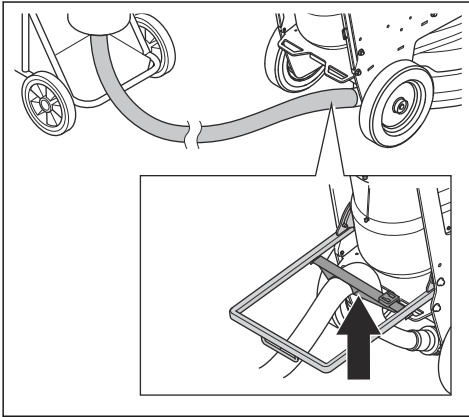
## Para conectar un extractor de polvo



**ADVERTENCIA:** No utilice el extractor de polvo con la manguera dañada. Esto aumenta el riesgo de respirar polvo peligroso para la salud. Utilice protección respiratoria aprobada.

1. Revise que la manguera del extractor de polvo no esté dañada.
2. Asegúrese de que los filtros del extractor de polvo estén limpios y en buen estado.
3. Asegúrese de que la base de la amoladora no esté funcionando.
4. Conecte la manguera del extractor de polvo al producto.
5. Acople el bastidor de soporte. Consulte *Para acoplar y desacoplar el bastidor de soporte en la página 41*.

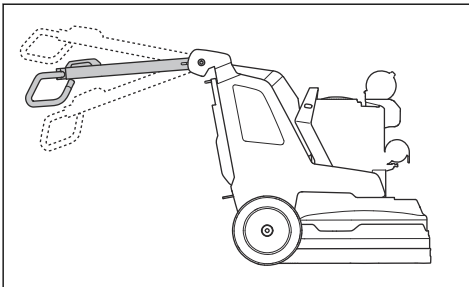
- 6. Cuelgue la manguera del extractor de polvo en el dispositivo de suspensión del bastidor de soporte para evitar que se tense.



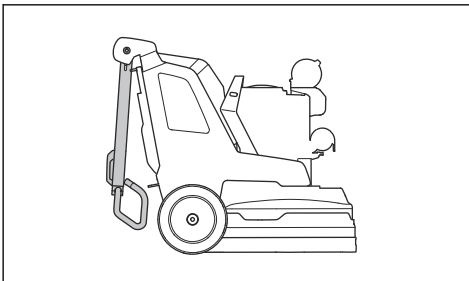
- 7. Desacople el bastidor de soporte.

## Posiciones del mango

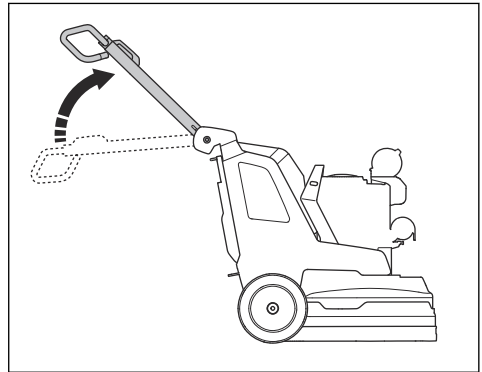
- Posición de operación del mango:



- Posición de transporte del mango:



- Posición de servicio del mango:



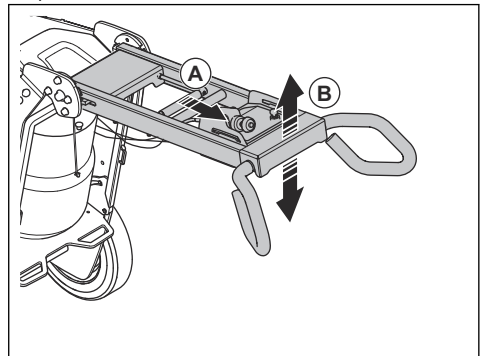
## Para ajustar el mango y el manillar



**ADVERTENCIA:** Tenga cuidado al ajustar el mango y el manillar. Asegúrese de que el mango y el manillar estén trabados en su posición. Las piezas móviles pueden provocar lesiones.

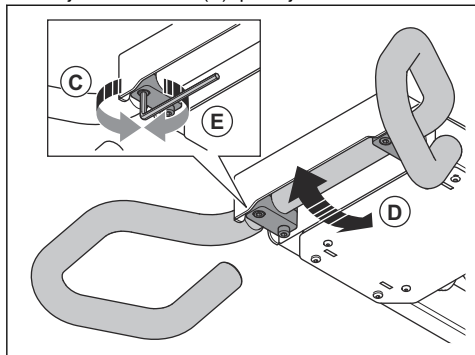
Ajuste la altura del mango lo más cerca posible de la altura de la cadera del operador. Durante el funcionamiento, el producto puede tender a irse hacia un lado. El operador puede ayudar a detener este movimiento lateral con su cadera.

1. Tire de la palanca de bloqueo (A) del mango en la dirección del panel de control y sosténgala en esta posición.



2. Ajuste el mango (B) a una altura de funcionamiento adecuada.
3. Suelte la palanca de bloqueo del mango para bloquear la posición del mango.

4. Afloje los 4 tornillos (C) que sujetan el manillar.



5. Ajuste el manillar (D) a una altura de funcionamiento adecuada.
6. Apriete los 4 tornillos (E) del manillar para bloquear la posición del manillar.

## Para conectar la batería

- Procure que los cables se encuentren conectados firmemente a los terminales correspondientes, primero el rojo (+) y luego el negro (-). Desconecte la batería en el orden contrario.
- Procure que el soporte que sujeta la batería en su lugar se encuentre montada adecuadamente, de modo que la batería no se pueda mover durante el funcionamiento.

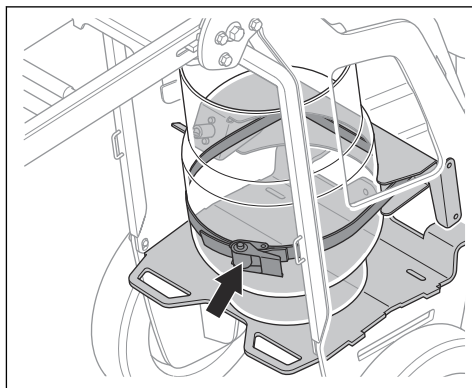
## Para conectar y desconectar el depósito de propano



**AVISO:** Asegúrese de utilizar el tipo de depósito de propano correcto. El producto se puede dañar si se utiliza un depósito de propano incorrecto. Consulte *Datos técnicos en la página 59*.

Si el depósito de propano está conectado y el producto no está en funcionamiento, cierre la válvula del depósito de propano.

1. Asegúrese de que el depósito de propano se encuentre sujeto firmemente en su lugar mediante el bloqueo y la placa del soporte. Si está instalado correctamente, el depósito de propano no se puede mover.



2. Conecte la manguera de propano del producto al depósito de propano.
3. Asegúrese de que la manguera de propano esté conectada correctamente al paso de combustible del motor.
4. Asegúrese de que todos los acopladores estén alineados. Apriete los acopladores manualmente para conectar el depósito de propano al producto.



**AVISO:** No utilice herramientas para realizar la conexión del depósito de propano al producto. Esto puede dañar los acopladores.

5. Gire la válvula del depósito de propano en sentido contrario al de las agujas del reloj hasta que tope para iniciar el flujo del propano.
6. Realice una prueba de protocolo simple en todas las tuberías de propano. Consulte *Para revisar las tuberías y el depósito de propano en la página 51*.
7. Desconecte en la secuencia opuesta.

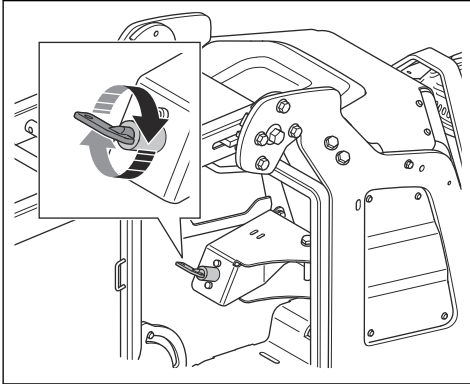
## Velocidad de funcionamiento

Si el producto se opera en un tipo de superficie nueva, fije la velocidad inicialmente al 70 %. Cuando el operador conoce el tipo de superficie, la velocidad se puede ajustar.

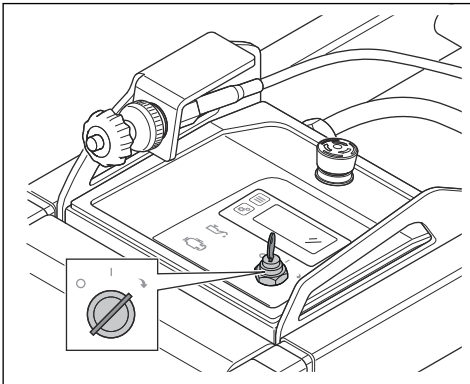
## Para poner en marcha el producto

1. Conecte el depósito de propano. Consulte *Para conectar y desconectar el depósito de propano en la página 45*.

2. Gire el interruptor principal en el sentido de las agujas del reloj.



3. Presione hacia abajo el manillar para levantar levemente la base de la amoladora de la superficie. Esto libera la fricción de la superficie de las herramientas de diamante. No levante la base de la amoladora completamente de la superficie durante la operación.
4. Gire y sostenga la llave de encendido en la posición de arranque del motor.



5. Cuando el motor arranque, suelte inmediatamente la llave de encendido. La llave de encendido se coloca en la posición "1".



**AVISO:** No intente arrancar el motor durante más de 5 segundos a la vez. Si el motor no arranca, espere 15 segundos antes de volver a intentarlo.

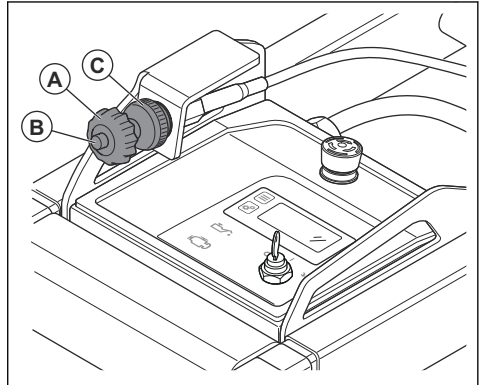
6. Antes de operar el producto, espere de 3 a 5 minutos y permita que el motor se caliente. Reduzca a un máximo de 1200 rpm. Consulte *Para hacer funcionar el producto en la página 46*.

## Para hacer funcionar el producto



**AVISO:** Mantenga en movimiento el producto en todo momento mientras tenga puesta la base de la amoladora. De lo contrario, la superficie puede volverse áspera.

1. Arranque el motor. Consulte *Para poner en marcha el producto en la página 45*.
2. Gire el acelerador (A) en el sentido contrario al de las agujas del reloj para arrancar la base de la amoladora y aumentar la velocidad de rotación. Ajuste la velocidad de rotación a 2000 rpm o más. Consulte *Rpm del motor en la página 34*.



3. Para aumentar la velocidad de rotación, presione el botón (B) en el acelerador y gire el acelerador.
4. Si se utiliza el botón del acelerador, gire la perilla "TURN TO LOCK" (Girar para bloquear) (C) en el sentido de las agujas del reloj para bloquear la velocidad de rotación.
5. Empuje el producto hacia delante por la superficie del piso. Utilice el acelerador para ajustar la velocidad mientras opera el producto.

## Para detener el producto

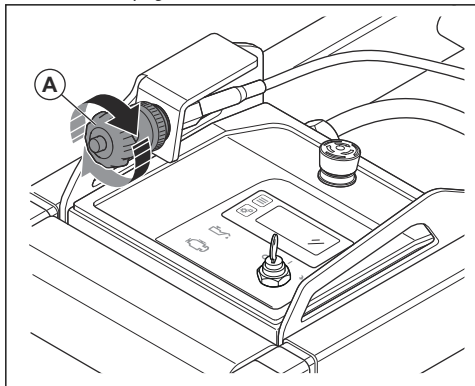


**AVISO:** No levante la base de la amoladora de la superficie cuando detenga el motor. Las placas de la herramienta quedan girando durante un tiempo después de que se detiene el motor. Puede liberarse polvo al aire y la superficie se puede dañar.



**AVISO:** No deje de mover el producto hasta que las placas de herramientas se detengan por completo.

1. Gire el acelerador (A) en el sentido de las agujas del reloj para disminuir la velocidad de rotación. Ajuste la velocidad de rotación a 1200 rpm para poner el producto a régimen de ralentí. Consulte *Rpm del motor en la página 34*.

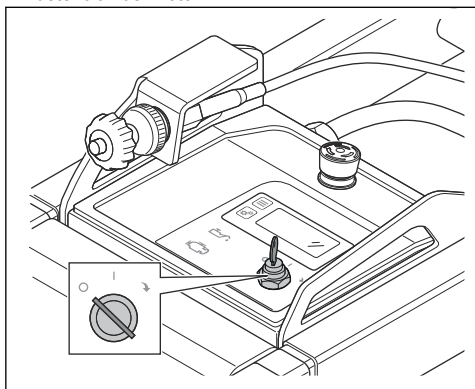


2. Gire la válvula del depósito de propano en el sentido de las agujas del reloj hasta que se detenga el suministro de propano al motor.
3. Mantenga las placas de herramientas haciendo contacto con la superficie hasta que se detengan por completo.

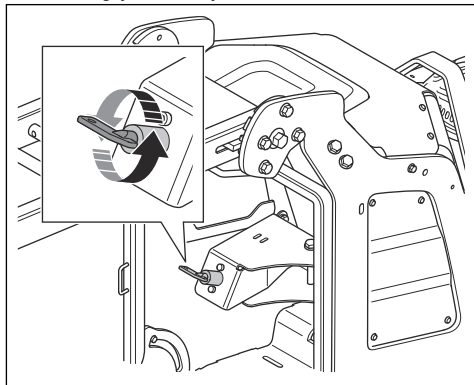


**AVISO:** Si amola asfalto adhesivo, pintura u otro material equivalente, el producto puede pegarse a la superficie adhesiva. Inmediatamente después de que la placa de herramientas se haya detenido completamente, levante un poco la parte delantera de la base de la amoladora.

4. Espere hasta que el motor se detenga. El motor se detiene cuando no hay combustible en la tubería.
5. Coloque la llave de encendido en la posición de detención del motor.



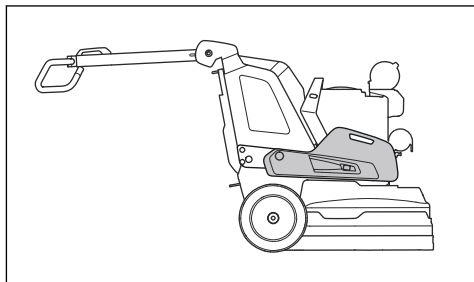
6. Gire el interruptor principal en el sentido contrario al de las agujas del reloj.



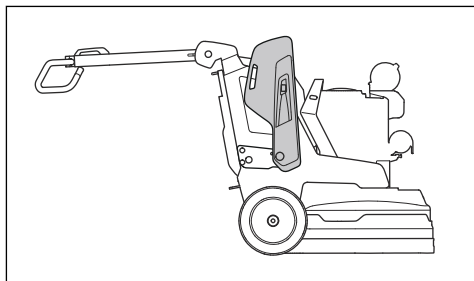
## Contrapesos

El producto tiene 1 peso a cada lado. Si el producto está demasiado pesado para operarlo, ajuste los pesos para cambiar la presión en la base de la amoladora. Los pesos se deben colocar en la misma posición a la derecha y a la izquierda. Los pesos tienen 3 posiciones:

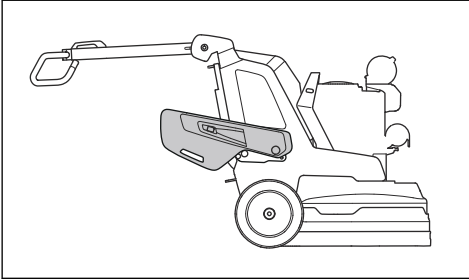
- Posición 1: Presión máxima en la base de la amoladora. Esta posición aumenta el efecto de la operación. Esta posición también se utiliza cuando se coloca el producto en la posición de transporte.



- Posición 2: Presión estándar en la base de la amoladora.



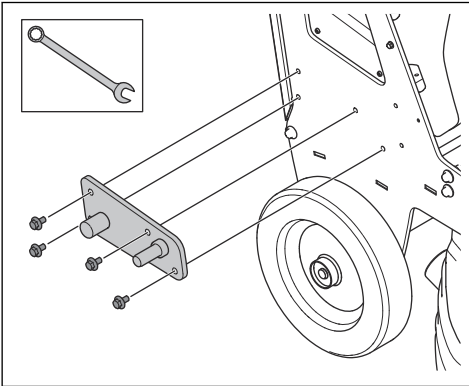
- Posición 3: Presión mínima en la base de la amoladora. Esta posición también se utiliza cuando se inclina el producto a la posición de servicio.



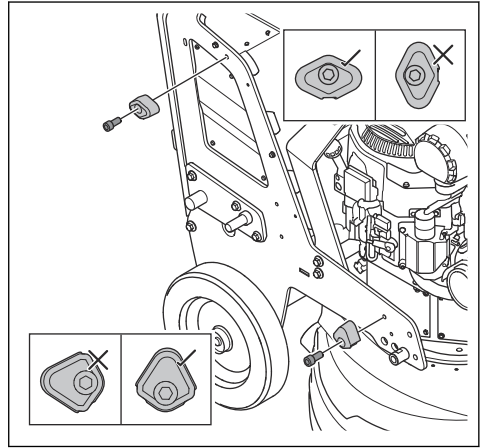
### Para montar y desmontar los pesos

El producto tiene 1 peso a cada lado. Realice el procedimiento que se describe a continuación en cada peso.

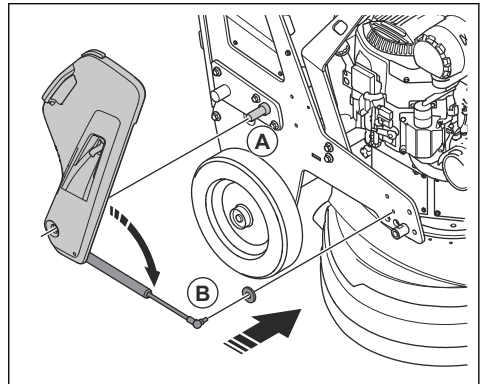
1. Instale el soporte de peso y apriete los 4 tornillos.



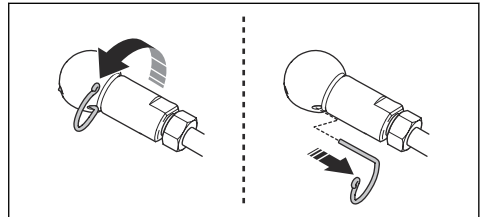
2. Instale las 2 abrazaderas de pesos. Asegúrese de que las abrazaderas de pesos estén instaladas correctamente como se muestra en la ilustración.



3. Coloque el peso sobre el cilindro (A) en el soporte de peso.



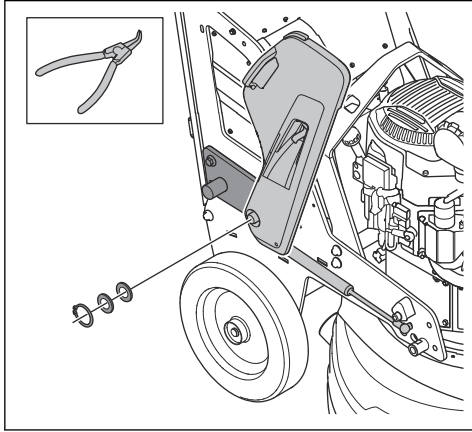
4. Conecte el muelle de gas del peso al producto.
  - a) Quite el resorte de bloqueo del cojinete a rótula.



- b) Retire el cojinete a rótula del muelle de gas.
- c) Conecte el cojinete a rótula al producto.
- d) Conecte el muelle de gas al cojinete a rótula. Bloquee el muelle de gas en el cojinete a rótula con el resorte de bloqueo.



5. Bloquee el peso en el soporte de peso con el anillo de bloqueo.



### Para ajustar los pesos

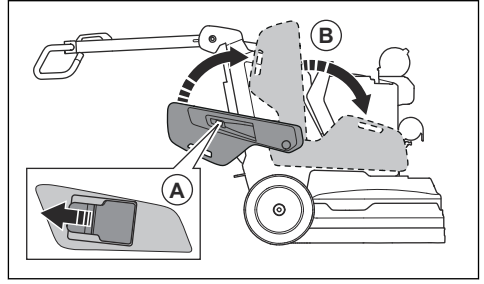


**ADVERTENCIA:** Tenga cuidado al ajustar los pesos. Las piezas móviles pueden provocar lesiones.



**ADVERTENCIA:** Siempre asegúrese de que el bloqueo de peso se bloquee correctamente cuando los pesos se coloquen en la posición seleccionada.

1. Presione el bloqueo de peso (A) y mueva el peso a la posición seleccionada (B) con el mango de peso. Consulte *Contrapesos en la página 47*.



2. Suelte el bloqueo de peso para bloquear el peso en la posición seleccionada.

## Mantenimiento

### Introducción



**ADVERTENCIA:** Antes de realizar el mantenimiento, debe leer y entender el capítulo sobre seguridad.

Para todos los trabajos de mantenimiento y reparación del producto, se requiere capacitación especial. Garantizamos la disponibilidad de trabajos de mantenimiento y reparación profesionales. Si el concesionario no cuenta con un taller de servicio, pídale información acerca del taller de servicio más cercano.

### Tareas previas al mantenimiento

- Utilice equipo de protección personal. Consulte *Equipo de protección personal en la página 37*.
- Utilice protección respiratoria aprobada. El polvo del producto es peligroso para la salud.
- Estacione el producto sobre una superficie nivelada.
- Detenga el motor y desconecte la batería y el depósito de propano para evitar el arranque accidental durante el mantenimiento.

- Limpie el aceite y el polvo de la zona que rodea el producto. Retire los objetos no deseados.
- Coloque carteles claros para avisar a los transeúntes que se está realizando trabajo de mantenimiento.
- Mantenga a mano extintores, suministros médicos y un teléfono de emergencia.

### Programa de mantenimiento

\* = Mantenimiento general por parte del operador. Las instrucciones no se proporcionan en este manual de usuario.

X = Las instrucciones se proporcionan en este manual de usuario.

O = Las instrucciones no se proporcionan en este manual de usuario. Solicite a un taller de servicio autorizado que realice el mantenimiento.

Mantenimiento	Diario	Una vez por semana	Cada 6 meses	Cada 12-36 meses
Revise el bloqueo del encendido.	*			

Mantenimiento	Diario	Una vez por semana	Cada 6 meses	Cada 12-36 meses
Revise el acelerador.	*			
Revise el botón de parada de emergencia.	X			
Revise los puntos de fijación y la función de bloqueo del mango.		*		
Revise los puntos de fijación y la función de bloqueo de los pesos.		*		
Limpie las superficies exteriores del producto.	X			
Limpie los componentes internos del producto.			O	
Revise las aletas de refrigeración de aceite. Si es necesario, limpie las aletas de refrigeración de aceite.	X			
Realice una inspección general.	X			
Revise los discos amoladora.	X			
Revise el funcionamiento del sistema de transmisión de la base de la amoladora.		X		
Revise que no haya fugas en el depósito de propano ni en ninguna de las tuberías.	X			
Revise el nivel de aceite del motor.	X			
Cambie el aceite del motor.		X		
Reemplace el filtro de aceite.		X		
Reemplace los filtros de aire.		X		
Examine la bujía.		X		
Realícele mantenimiento al sistema de transmisión de los discos amoladora.				O
Revise la conexión entre el chasis y la base de la amoladora.		*		

## Para limpiar el producto



**AVISO:** Cuando las tomas de aire se bloquean, el rendimiento del producto disminuye y el motor se puede sobrecalentar.

- Elimine los bloqueos en todas las tomas de aire. El producto debe estar siempre en una temperatura lo suficientemente fría.
- No utilice productos químicos para limpiar el producto.
- No limpie los componentes eléctricos con agua.
- Siempre limpie todo el equipo al final del día de trabajo. Limpie los componentes de la superficie inferior de la base de la amoladora con una hidrolavadora.



**AVISO:** No apunte la hidrolavadora directamente a sellos ni puntos de conexión.

## Para limpiar la batería y el cargador de batería

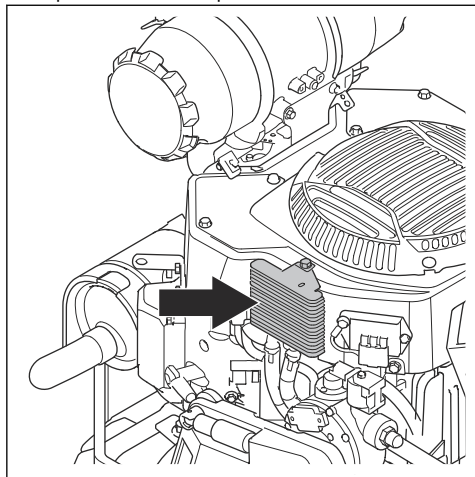


**AVISO:** No limpie con agua la batería o el cargador de batería.

- Asegúrese de que la batería y el cargador de batería estén limpios y secos antes de colocar la batería en el cargador.
- Limpie los terminales de la batería con aire comprimido o utilice un paño suave y seco.
- Limpie las superficies de la batería y el cargador de batería con un paño suave y seco.

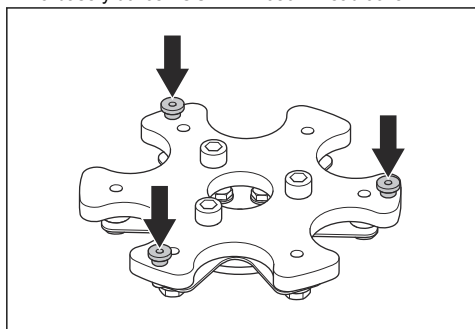
## Para limpiar las aletas de refrigeración de aceite

- Limpie las aletas de refrigeración de aceite con un cepillo o con aire comprimido.



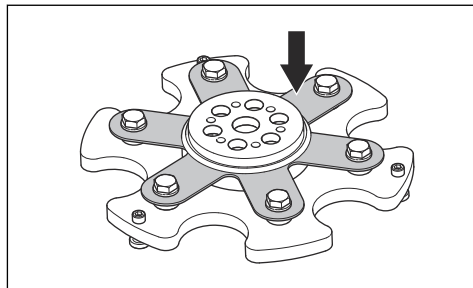
## Para hacer una inspección general

- Asegúrese de que las tuercas y los tornillos estén apretados.
- Asegúrese de que los bloqueos de la base estén apretados. Si es necesario, apriete los bloqueos de la base y utilice LOCTITE® 680 Threadlocker.



## Para revisar los discos amoladora

- Revise que el resorte de acero sobre resorte no esté dañado y asegúrese de que esté en buenas condiciones.



- Reemplace los resortes de acero sobre resortes que estén dañados.

**Tenga en cuenta:** No es necesario desechar el disco amoladora al reemplazar el resorte de acero sobre resorte.

- Agregue un segundo resorte de acero sobre resorte para reducir la flexibilidad de la base de acero del resorte.

## Sistema de transmisión para el cabezal de amolado

El sistema de transmisión para el cabezal de amolado es un sistema cerrado. Si tiene problemas con el sistema de transmisión del cabezal de amolado, comuníquese con el taller de servicio de Husqvarna.

## Para revisar las tuberías y el depósito de propano



**AVISO:** Examine el depósito de propano y las tuberías cada vez que el depósito de propano se llene o se conecte al producto.

1. Asegúrese de que el depósito de propano no esté dañado.
2. Conecte el depósito de propano al producto. Consulte *Para conectar y desconectar el depósito de propano en la página 45*.
3. Aplique una mezcla de jabón en aerosol a todas las tuberías y conexiones. Para la mezcla de jabón, utilice 50 % de jabón y 50 % de agua.
4. Si hay una fuga, aparecerán burbujas en las tuberías y las conexiones. Comuníquese con un taller de servicio autorizado.

## Para llenar el depósito de propano



**AVISO:** Examine el depósito de propano y las tuberías cada vez que el depósito de propano se llene o se conecte al producto.

Consulte *Para revisar las tuberías y el depósito de propano en la página 51.*

No llene en exceso el depósito de propano. El depósito de propano puede contener un máximo de 9 kg/20 lb de propano. El depósito de propano no debe pesar más de 21,8 kg/48 lb cuando está lleno. Si el depósito de propano está demasiado lleno, aparece escarcha en las tuberías de propano o en el regulador.

1. Detenga la máquina. Consulte *Para detener el producto en la página 46.*
2. Asegúrese de que la válvula del depósito de propano esté cerrada.
3. Retire el depósito de propano del producto.
4. Llene el depósito de propano con nuevo propano o reemplace el depósito de propano.
5. Si el tanque de propano está demasiado lleno, utilice un destornillador en la válvula del depósito de propano para liberar el propano no deseado. Libere el propano mediante un procedimiento seguro. Consulte *Seguridad en el uso del propano en la página 38.*
6. Instale el depósito de propano lleno o nuevo en el producto. Consulte *Para conectar y desconectar el depósito de propano en la página 45.*
7. Si el clima es frío, mantenga el producto en interiores antes de usarlo para calentar el depósito de propano. También puede utilizar una manta térmica para depósito de propano para calentar el depósito de propano.

## Para comprobar el nivel de aceite



**AVISO:** Un nivel de aceite demasiado bajo puede dañar el motor. Revise el nivel de aceite antes de utilizar el producto.

1. Coloque el producto en un terreno plano.
2. Retire el tapón del depósito de aceite junto con la varilla de nivel incluida.
3. Limpie el aceite de la varilla de nivel.
4. Vuelva a colocar la varilla de nivel completa en el depósito de aceite para tener una idea correcta del nivel de aceite.
5. Quité la varilla de nivel.
6. Examine el nivel de aceite con la varilla de nivel.
7. Si el nivel de aceite es bajo, llene con aceite de motor y revise nuevamente.

## Para cambiar el aceite del motor:

Si el motor está frío, arránquelo entre 1 y 2 minutos antes de drenar el aceite del motor. Esto calienta el aceite del motor, por lo que se drena más fácilmente.

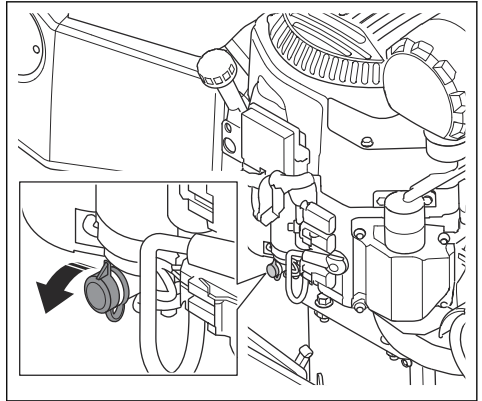


**ADVERTENCIA:** No haga funcionar el motor durante más de 1-2 minutos antes de drenar el aceite del motor. El aceite del motor se calienta mucho y puede causar quemaduras graves. Deje que el motor se enfríe antes de drenar el aceite del motor.



**ADVERTENCIA:** Si se derrama aceite del motor en su cuerpo, limpie con agua y jabón.

1. Coloque un recipiente debajo del tapón de vaciado de aceite.
2. Retire el tapón de vaciado de aceite.



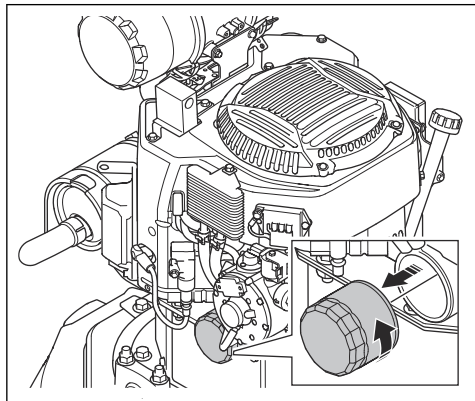
3. Drene el aceite en el recipiente.
4. Coloque y apriete el tapón de vaciado de aceite.
5. Llene con aceite nuevo. Consulte *Datos técnicos en la página 59.*
6. Arranque el motor y déjelo en régimen de ralentí durante 3 minutos.
7. Detenga el motor y asegúrese de que el tapón de vaciado de aceite no tenga fugas.
8. Compruebe el nivel de aceite. Consulte *Para comprobar el nivel de aceite en la página 52.*

**Tenga en cuenta:** Para una eliminación segura del aceite del motor usado, consulte *Eliminación en la página 57.*

## Para reemplazar el filtro de aceite

1. Drene el aceite del motor. Consulte *Para cambiar el aceite del motor: en la página 52.*

2. Gire el filtro de aceite hacia la izquierda para sacarlo.



3. Lubrique ligeramente la junta de goma del nuevo filtro de aceite con aceite nuevo.
4. Para conectar el filtro de aceite, gírelo en el sentido de las agujas del reloj hasta que la junta de goma esté en su posición. Apriete el filtro de aceite girándolo  $\frac{1}{4}$  de vuelta más.
5. Llene con aceite nuevo. Consulte *Datos técnicos en la página 59*.
6. Arranque el motor y déjelo funcionar en régimen de ralentí durante 3 minutos.
7. Detenga el motor y asegúrese de que el filtro de aceite no tenga fugas.
8. Compruebe el nivel de aceite.

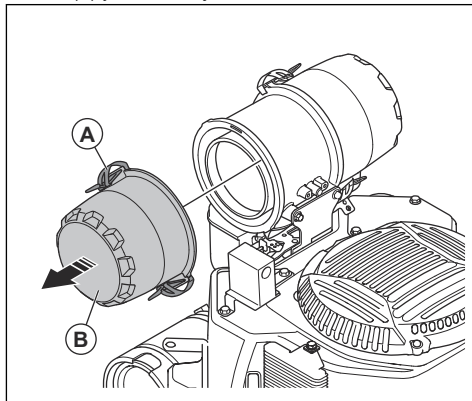
## Para reemplazar los filtros de aire



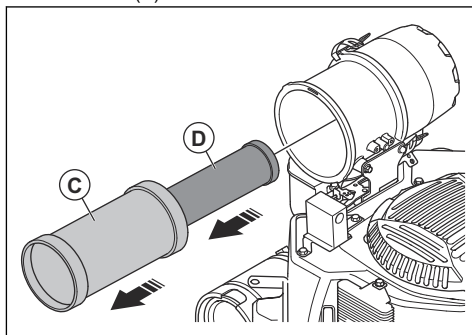
**AVISO:** No utilice el producto sin los filtros de aire.

**Tenga en cuenta:** No limpie los filtros de aire. Reemplace los filtros de aire si es necesario.

1. Abra las 2 abrazaderas (A) de la caja del filtro de aire (B) y retire la caja.



2. Reemplace el filtro de aire exterior (C) y el filtro de aire interior (D).



3. Instale los nuevos filtros de aire en la secuencia opuesta.

**Tenga en cuenta:** Si ambas abrazaderas de la caja del filtro de aire no se pueden cerrar, significa que el filtro de aire exterior no está bien instalado.

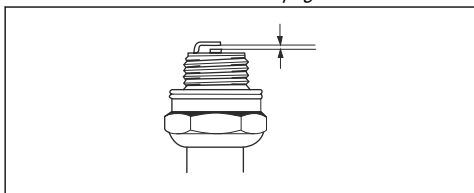
## Para examinar la bujía



**AVISO:** Utilice siempre el tipo de bujía recomendada. El tipo de bujía incorrecto puede causar daños en el producto.

- Examine la bujía si el motor tiene una potencia demasiado baja, no arranca fácilmente o no funciona correctamente al régimen de ralentí.
- Para disminuir el riesgo de material no deseado en los electrodos de la bujía, siga estas instrucciones:
  - a) Asegúrese de que el régimen de ralentí esté ajustado correctamente.
  - b) Asegúrese de que la mezcla de combustible es la correcta.
  - c) Asegúrese de que el filtro de aire esté limpio.

- Si la bujía está sucia, límpiela y asegúrese de que la distancia entre los electrodos sea la correcta, consulte *Datos técnicos en la página 59.*
- Reemplace la bujía si es necesario.



## Solución de problemas

Problema	Causa	Solución
El producto no arranca.	La batería no está cargada.	Cargue la batería.
	El botón de parada de emergencia está activado.	Gire el botón de parada de emergencia del panel de control en el sentido de las agujas del reloj para desactivarlo.
	El interruptor de seguridad está abierto en la carcasa eléctrica.	Cierre el interruptor para completar el circuito.
El motor no arranca.	El depósito de propano está vacío.	Llene o reemplace el depósito de propano.
	La válvula del depósito de propano está cerrada.	Gire la válvula del depósito de propano para abrir el depósito de propano.
	El encendido presenta fallas.	Comuníquese con un taller de servicio autorizado.
El motor arranca, pero se detiene al poco tiempo.	El depósito de propano está casi vacío.	Llene o reemplace el depósito de propano.
	El módulo de emisiones está dañado.	Comuníquese con un taller de servicio autorizado.
El motor arranca, pero se detiene después de 1 a 2 minutos.	La señal que se envía al módulo de emisiones no es correcta.	Cambie el filtro de aire.  Si el problema persiste, comuníquese con un taller de servicio aprobado.
	El motor está encendido, pero la amoladora no arranca.	La correa está rota.
El embrague se desacopla.		Comuníquese con un taller de servicio autorizado.
El motor se detiene.	Los valores de las emisiones son superiores a los niveles permitidos.	Revise si el indicador del control de emisiones está encendido. Comuníquese con un taller de servicio autorizado.
El producto huele a humo.	El embrague se desacopla.	Asegúrese de que el régimen del motor no sea entre 1200 y 2000 rpm.

<b>Problema</b>	<b>Causa</b>	<b>Solución</b>
No es fácil asir el producto.	Hay una cantidad muy pequeña de herramientas de diamante instaladas en el producto.	Aumente el número de herramientas de diamante para reducir la carga sobre el producto y el operador.
	El motor de impulsión de amolado no funciona.	Asegúrese de que el motor de impulsión de amolado esté conectado.
	Esto puede deberse a una falla del motor o de un cable del motor.	Si el problema persiste, comuníquese con un taller de servicio aprobado.
	La correa está rota.	Si la correa está rota, lleve el producto a un centro de servicio para que la reemplacen.  Gire manualmente uno de los discos amoladora. Si todos los discos amoladora giran juntos, significa que la correa no está dañada. Si alguno de los discos amoladora gira libremente, significa que la correa está rota.
	La superficie o la operación utilizan demasiada capacidad del producto.	Ajuste el régimen del motor o la velocidad de avance del producto por el piso.
El producto suena como si el régimen aumentara en exceso.	El motor de impulsión de amolado no está conectado.	Asegúrese de que el motor de impulsión de amolado esté conectado.
	El motor de impulsión de amolado no funciona.	Asegúrese de que el motor de impulsión de amolado esté conectado.
	Esto puede deberse a una falla del motor o de un cable del motor.	Si el problema persiste, comuníquese con un taller de servicio aprobado.
	La superficie es demasiado gruesa o la configuración de la herramienta de diamante es incorrecta.	Empuje el manillar ligeramente para levantar la base de la amoladora de la superficie cuando arranque el producto.
El producto hace un patrón irregular de rayados.	Las herramientas de diamante están mal conectadas o conectadas a diferentes alturas en los discos amoladora.	Asegúrese de que todas las herramientas de diamante estén instaladas correctamente y a la misma altura.
	Las herramientas de diamante son de tipos mixtos.	Asegúrese de que todos los segmentos tengan el mismo tipo de granos abrasivos y adhesivo de diamante. Si los segmentos de diamante son ásperos, sepárelos a intervalos iguales. Opere el producto sobre una superficie abrasiva hasta que todos los segmentos tengan la misma altura.
	Faltan los bloqueos de la base o están flojos.	Asegúrese de que todos los bloqueos de la base estén en su lugar y apretados.
	Las herramientas de resina están mezcladas o tienen contaminación no deseada.	Asegúrese de que todas las resinas tengan el mismo tipo de granos abrasivos y adhesivo de diamante, y de que no haya contaminación. Para limpiar las herramientas de resina, hágalas funcionar durante un breve tiempo en una superficie ligeramente abrasiva
	Los discos amoladora están desgastados o dañados.	Revise si los discos amoladora tienen secciones rotas o si se mueven demasiado.

Problema	Causa	Solución
El producto realiza movimientos inesperados y no deseados.	Los discos amoladora están desgastados o dañados.	Revise si los discos amoladora tienen piezas dañadas o si se mueven demasiado.
	Las herramientas de diamante están mal conectadas o conectadas a diferentes alturas en los discos amoladora.	Asegúrese de que todas las herramientas de diamante estén instaladas correctamente y de que tengan la misma altura.
	Faltan los bloqueos de la base o están flojos.	Asegúrese de que todos los bloqueos de la base estén en su lugar y apretados.
El fusible se dispara.	Carga demasiado alta o fusibles muy pequeños.	Realice una prueba de las dimensiones de los fusibles y de inercia.
		Disminuya la presión de amolado o aumente la cantidad de herramientas de diamante o la dureza del adhesivo.

## Transporte, almacenamiento y eliminación de residuos

### Transporte



**ADVERTENCIA:** Tenga cuidado durante el transporte. El producto es pesado y puede causar lesiones o daños si se cae o se mueve durante el transporte.

Las ruedas permiten mover el producto en distancias cortas. Para distancias más largas, levante el producto para moverlo o súbalo a un vehículo.



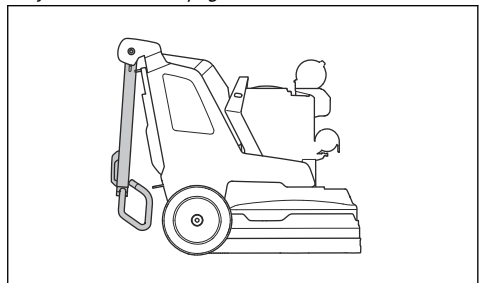
**AVISO:** No remolque el producto detrás de un vehículo.

- Tenga cuidado cuando mueva el producto manualmente en superficies con pendiente. Pequeñas pendientes pueden ocasionar movimientos rápidos del producto que no se pueden contener manualmente.
- Fije el producto con seguridad durante el transporte. Asegúrese de que no se mueva.
- Ponga algún tipo de protección en el producto durante el transporte. Esto protege al producto de los elementos naturales, como la lluvia y la nieve.
- Levante el producto solo por el cáncamo.
- No levante el producto por el manillar, el motor, el chasis ni otras piezas.
- El transporte se realiza idealmente en un palé.
- Siempre levante el producto con un elevador o un montacargas.
- No utilice un montacargas si el producto no se coloca sobre un palé o carro. De lo contrario, se pueden dañar los discos amoladora y otros componentes internos.

- Durante el transporte, la base de la amoladora debe estar en el suelo. Para evitar daños en el mecanismo de bloqueo de las placas de herramientas, mantenga las placas de herramientas instaladas.

### Para poner el producto en posición de transporte

- Pliegue el manillar. Consulte *Para ajustar el mango y el manillar en la página 44*.



- Si los pesos están conectados al producto, ajústelos a la posición de avance. Consulte *Para ajustar los pesos en la página 49*.
- Asegúrese de que la base de la amoladora toque la superficie.

### Para mover el producto hacia arriba y hacia abajo por una rampa



**ADVERTENCIA:** Tenga mucho cuidado al mover el producto hacia arriba y hacia abajo en rampas con el motor encendido. El producto es pesado y existe riesgo de



lesiones si se cae o se mueve demasiado rápido.



**ADVERTENCIA:** Para rampas de pendiente pronunciada, utilice siempre un cabrestante. No camine ni permanezca por debajo del producto. No permanezca en la zona de riesgo del producto. Consulte *Seguridad en el área de trabajo en la página 38*.



**ADVERTENCIA:** No mueva el producto en pendientes pronunciadas. Consulte la placa de identificación del producto para conocer el ángulo máximo de pendiente.

- Para bajar el producto por una rampa, opere el producto lentamente hacia atrás.
- Para subir el producto por una rampa, opere el producto lentamente hacia delante.
- No gire el producto más de 45° en una rampa.

## Para levantar el producto



**ADVERTENCIA:** Asegúrese de que el equipo de elevación tenga la especificación correcta para levantar el producto de forma segura. La placa de identificación del producto muestra el peso del producto.

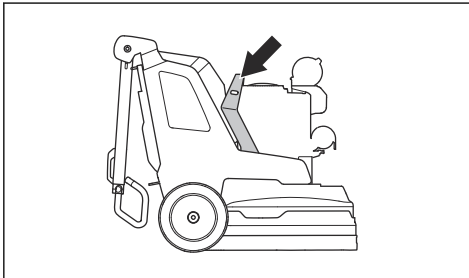


**ADVERTENCIA:** No camine ni permanezca por debajo del producto cuando esté levantado. Mantenga a las personas fuera de la zona de riesgo. Consulte *Seguridad en el área de trabajo en la página 38*.



**ADVERTENCIA:** No levante el producto si está dañado. Asegúrese de que el cáncamo esté correctamente instalado y de que no esté dañado.

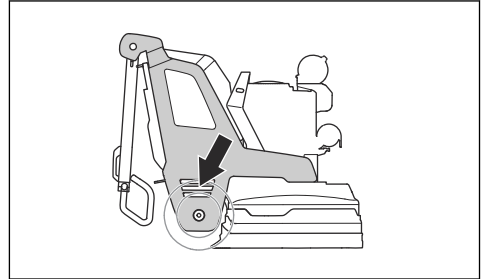
1. Coloque el producto en posición de transporte. Consulte *Para poner el producto en posición de transporte en la página 56*.
2. Fije el equipo de elevación al cáncamo.



## Para fijar el producto en un vehículo de transporte

El producto cuenta con orificios que se utilizan con correas para fijar el producto al vehículo de transporte.

1. Fije las correas de sujeción en los orificios.



2. Fije y asegure las correas de sujeción en el vehículo.

## Almacenamiento



**AVISO:** No almacene el producto en exteriores. Siempre mantenga el producto en interiores.

- Mantenga el producto en un lugar seco y sin escarcha.
- Limpie el producto y realice un mantenimiento completo antes de almacenarlo.
- Mantenga la base de la amoladora sobre el suelo.
- Mantenga el producto en un área cerrada para evitar que los niños u otras personas sin autorización puedan acceder a él.
- No mantenga los tanques de propano dentro de un edificio. Los tanques de propano solo deben estar en interiores mientras se utiliza el producto. Mantenga los tanques de propano en una zona segura con suficiente flujo de aire.

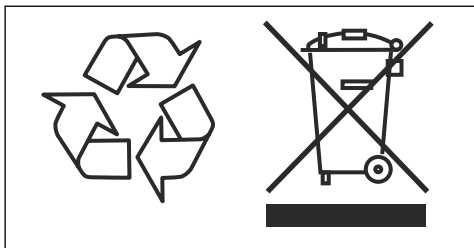
## Eliminación

Los símbolos en la máquina o en su embalaje indican que este producto no se puede tratar como residuo doméstico. Debe enviarse a una estación de reciclaje apropiada para la recuperación del equipo eléctrico y electrónico.

Asegúrese de desconectar el depósito de propano y de retirar la batería del producto antes de enviarlo a una estación de reciclaje adecuada. Envíe la batería a una estación de reciclaje adecuada.

Si se asegura de mantener correctamente esta máquina, puede contribuir a contrarrestar los posibles efectos negativos en el medioambiente y en las personas que, de lo contrario, podrían resultar afectadas debido a la gestión incorrecta de los residuos de este producto. Para obtener información más detallada sobre el reciclaje de este producto,

comuníquese con su municipalidad, servicio de recolección de residuos domésticos o con la tienda donde compró el producto.



## Datos técnicos

### Datos técnicos

Potencia del motor, kW/hp	16,2/22
Peso, kg/lb	481/1060
Ancho de amolado, mm/pulg.	630/24,8
Disco amoladora, mm/pulg.	3x270/10,5
Presión de amolado, kg/lb	188/414
Peso en la posición 1 (hacia delante), kg/lb	224/538
Peso en la posición 2 (vertical), kg/lb	192/423
Peso en la posición 3 (hacia atrás), kg/lb	139/306
Velocidad de los discos amoladora, rpm mín./máx.	675-1010
Velocidad de la base de la amoladora, rpm mín./máx.	68-101
Régimen del motor, rpm	1200-3600
Dirección de giro	Base de la amoladora: en el sentido de las agujas del reloj  Disco amoladora: en el sentido contrario al de las agujas del reloj
Gradiente máxima, grados °	10
Tipo de batería	12 V, 20 Ah
Carcasa, IP	54
Combustible	Recuperación de vapor de propano
Distancia entre las bujías, mm/pulg.	0,76/0,03
<b>Extractor de polvo recomendado<sup>5</sup></b>	
Conexión del extractor de polvo, mm/pulg.	75/3
Flujo de aire mínimo, m <sup>3</sup> /h /CFM	600/353
Vacío mín., kPa/psi	28/4,1

### Niveles acústicos

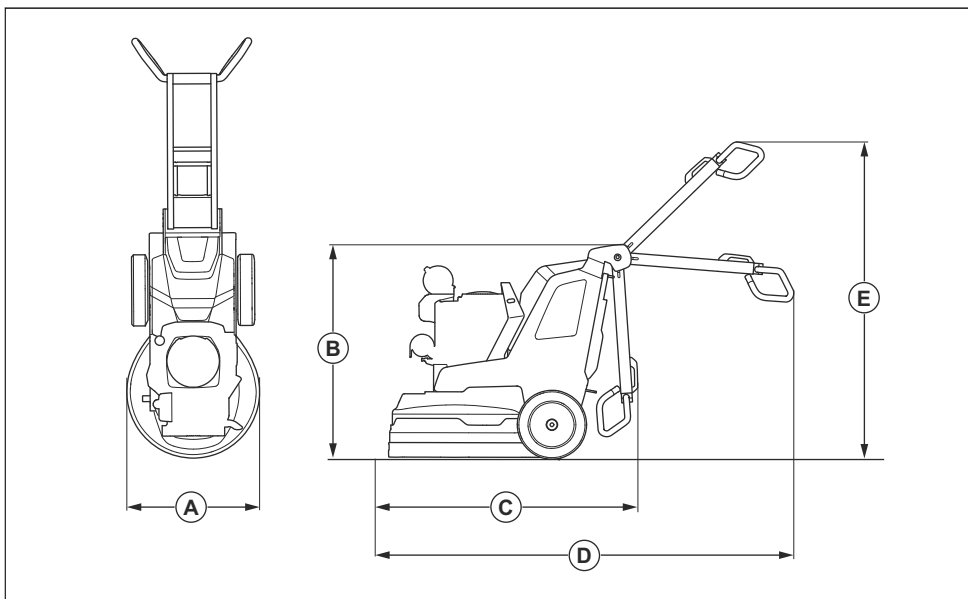
#### Emisiones sonoras<sup>6</sup>

<sup>5</sup> Los datos técnicos para los extractores de polvo no describen de manera concluyente el rendimiento real en el tiempo entre diferentes extractores de polvo. Para los productos de Husqvarna, los datos objetivos de la OSHA se encuentran disponibles en [www.husqvarnacp.com/us](http://www.husqvarnacp.com/us).

<sup>6</sup> Las emisiones sonoras en el entorno se miden como potencia acústica de conformidad con la norma EN 60335-2-72. Incertidumbre de medición esperada de 2,5 dB(A).

Nivel de potencia acústica, medido $L_W$ (dB(A))	102,6
<b>Niveles acústicos<sup>7</sup></b>	
Nivel de presión sonora en el oído del operador, $L_p$ (dB(A))	80,9
<b>Niveles de vibración<sup>8</sup></b>	
Manilla derecha, $m/s^2$	1,9
Manilla izquierda, $m/s^2$	1,9

## Dimensiones del producto



<b>A</b>	Ancho, mm/pulg	670/26,4
<b>B</b>	Altura mín. total (mango plegado), mm/pulg.	1145/45,1
<b>C</b>	Largo mín. total (mango plegado), mm/pulg.	1390/54,7
<b>D</b>	Largo máx. total (mango extendido), mm/pulg.	2125/83,7
<b>E</b>	Altura máx. total (mango extendido), mm/pulg.	1700/66,9

<sup>7</sup> Nivel de presión sonora según EN 60335-2-72. Incertidumbre de medición esperada de 4 dB(A).

<sup>8</sup> Nivel de vibración en conformidad con la norma EN 60335-1 y EN 60335-2-72. Los datos informados para el nivel de vibración tienen una dispersión estadística común (desviación estándar) de 1  $m/s^2$ . Los valores de vibración son válidos para el funcionamiento manual.

---

# Table des matières

---

Introduction.....	61	Dépannage.....	83
Sécurité.....	66	Transport, entreposage et mise au rebut.....	86
Fonctionnement.....	70	Données techniques.....	88
Entretien.....	79		

---

## Introduction

---

### Responsabilité du propriétaire

---



**AVERTISSEMENT:** Des opérations de coupe, de surfacage ou de perçage du béton ou de la pierre, particulièrement lorsque les conditions sont sèches, génèrent de la poussière qui contient souvent de la silice. La silice est un composant de base du sable, du quartz, de la brique d'argile, du granit et de nombreux autres pierres et minéraux. L'exposition à une quantité excessive de ces poussières peut entraîner :

une maladie respiratoire (réduisant la capacité à respirer), notamment la bronchite chronique, la silicose et la fibrose pulmonaire causée par l'exposition à la silice. Ces maladies peuvent être fatales;

Des irritations et éruptions cutanées.

Le cancer, selon le NTP (National Toxicology Program) et le CIRC (Centre International de recherche sur le cancer).

Prendre les précautions suivantes :

Éviter l'inhalation et le contact cutané avec les poussières, brouillards et fumées.

Porter et veiller à ce que les personnes à proximité portent un dispositif de protection respiratoire approprié, tel un masque antipoussière filtrant les particules microscopiques. (Voir OSHA 29 CFR Part 1926.1153)

Pour réduire les émissions de poussières, utilisez de l'eau pour agglomérer, lorsque cela est possible. Si une opération à sec est

nécessaire, utiliser un extracteur de poussière adéquat.

---

Il est de la responsabilité du propriétaire ou de l'employeur de s'assurer que l'utilisateur possède les connaissances nécessaires pour manipuler le produit en toute sécurité. Les superviseurs et les utilisateurs doivent avoir lu et compris le manuel d'utilisation. Ils doivent être conscients des éléments suivants :

- Les consignes de sécurité relatives au produit.
- L'éventail d'applications du produit et ses limites.
- La manière dont le produit doit être utilisé et entretenu.

Les règlements locaux ou nationaux peuvent limiter l'utilisation de ce produit. Rechercher les réglementations en vigueur où le travail est exécuté avant d'utiliser le produit.

### Description du produit

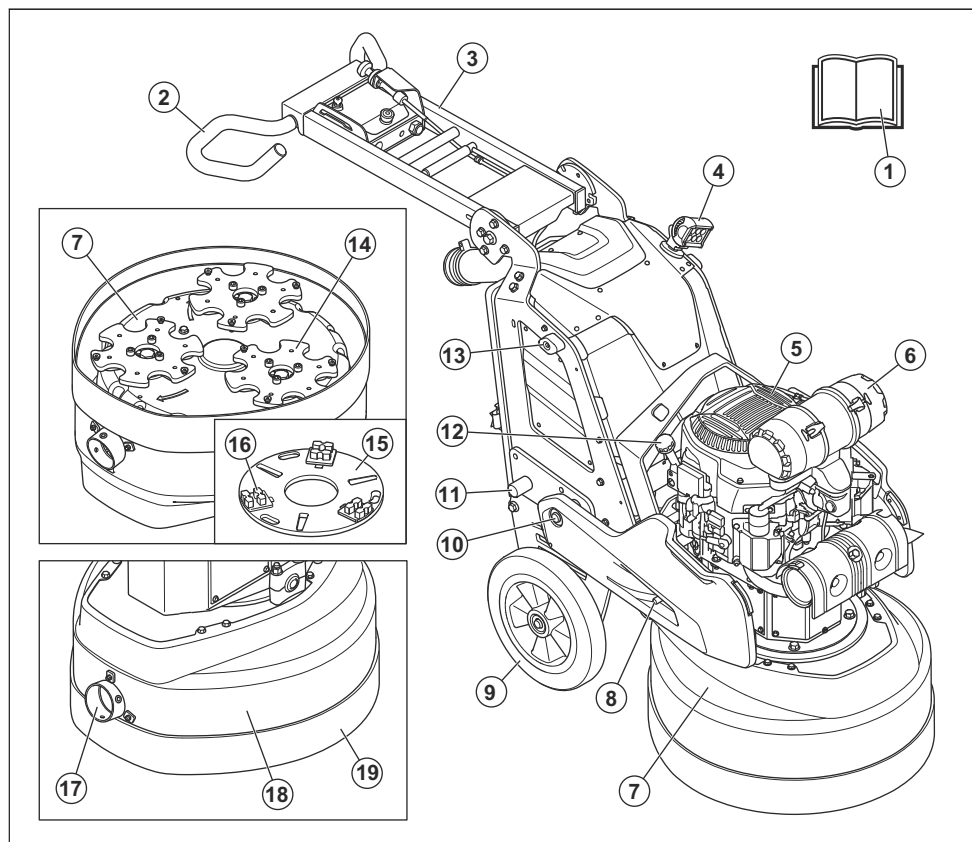
Ce produit est une surfaceuse pour surfaces de diverses duretés. Le produit est doté d'un moteur au propane.

### Utilisation prévue

Ce produit est utilisé pour meuler des surfaces de matériaux de diverses duretés, comme la pierre naturelle, le terrazzo et le béton. Il peut également être utilisé pour meuler des matériaux de recouvrement, comme l'époxy et la colle. La finition de la surface peut être rugueuse ou lisse. Le produit peut être utilisé pour le meulage à sec et le meulage à l'eau. Ne pas utiliser l'outil pour d'autres tâches.

Le produit est utilisé dans les opérations commerciales par des opérateurs professionnels.

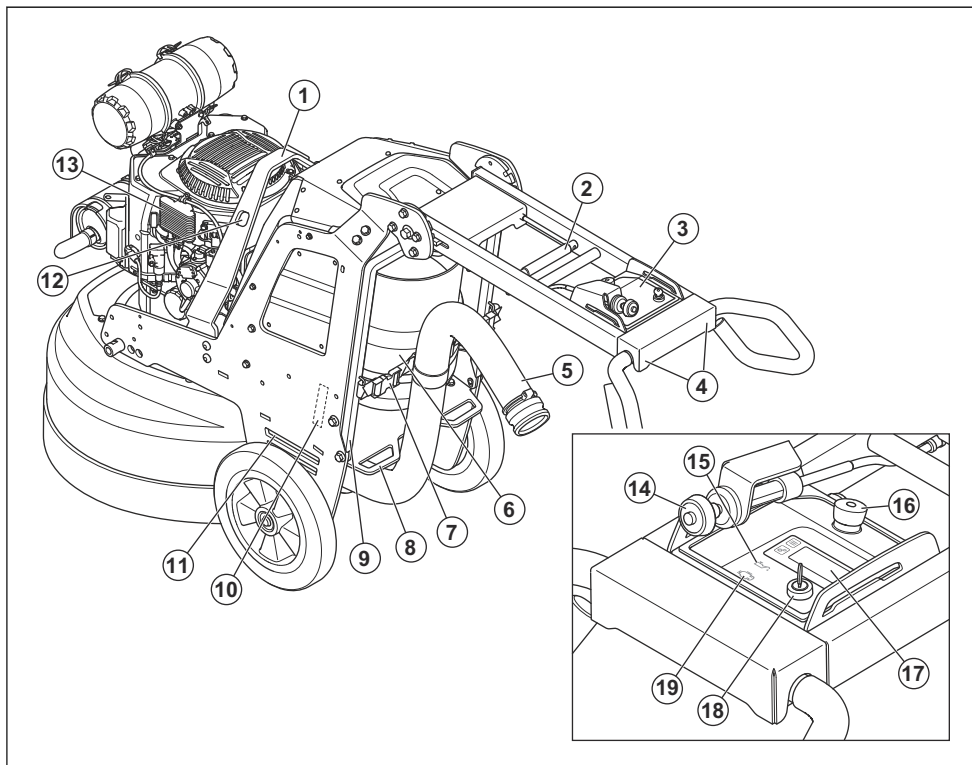
## Vue d'ensemble du produit, côté droit



1. Manuel d'utilisation
2. Guidon
3. Poignée
4. Phare (accessoire)
5. Moteur
6. Filtre à air
7. Tête de meulage
8. Verrou de poids
9. Jante
10. Poids (accessoire)

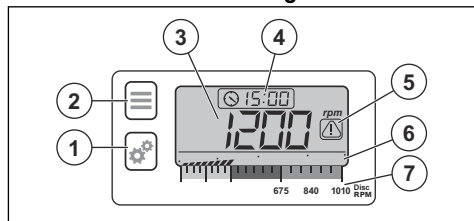
11. Porte-poids
12. Jauge et remplissage d'huile
13. Support de poids
14. Disque de meulage
15. Plaque de l'outil
16. Outil diamanté (accessoire)
17. Connexion pour extracteur de poussière
18. Couverture
19. Jupe pare-poussière

## Vue d'ensemble du produit, côté gauche



1. Anneau de levage
2. Levier de verrouillage du réglage de la poignée
3. Panneau de commande
4. Vis de réglage du guidon
5. Connexion pour extracteur de poussière
6. Réservoir de propane
7. Dispositif de suspension pour extracteur de poussière
8. Porte-réservoir de propane
9. Cadre de support
10. Plaque signalétique
11. Trous pour sangles
12. Trous pour sangles
13. Ailettes de refroidissement d'huile
14. Commande d'accélérateur
15. Indicateur de pression d'huile
16. Bouton d'arrêt d'urgence
17. Écran
18. Dispositif de blocage de l'allumage
19. Indicateur de vérification requise du moteur

## Vue d'ensemble de l'affichage



1. Bouton de réglage
2. Bouton de menu
3. Régime (en tr/min) du moteur
4. Horloge
5. Avertissement
6. Indicateur du régime (en tr/min) moteur
7. Régime (tr/min) des disques de meulage

### Pour utiliser l'écran

Utiliser le bouton de menu et le bouton de réglage pour commander l'affichage.

1. Appuyer brièvement sur le bouton de menu pour passer d'une sélection à l'autre sur l'écran.
2. Appuyer longuement sur le bouton de menu pour accéder à l'élément sélectionné.
3. Dans la sélection, appuyer brièvement sur le bouton de menu pour sélectionner ON ou OFF (marche ou arrêt).
4. Dans la sélection, appuyer sur le bouton de réglage pour régler l'élément sélectionné.
5. Appuyer longuement sur le bouton de menu pour verrouiller la sélection et revenir au menu principal.

**Remarque :** L'écran revient au menu principal s'il n'est pas utilisé pendant dix secondes.

### Menu d'affichage

Sélections de menu	Renseignements et réglage de base	Options de réglage
Temps de fonctionnement total	Indique la durée totale d'utilisation du produit.	S.O.
Temps avant le prochain entretien	Indique le nombre d'heures avant qu'un entretien ne soit nécessaire.	Sélectionner « ON » (marche) pour réinitialiser.
Régime maximal	Indique le régime maximal (en tr/min) utilisé lors de la dernière utilisation.	Sélectionner « ON » (marche) pour effacer.
Allumage	Le réglage de base est « 1P1r ».	S.O.
Limite de régime	Régler la plage de régime entre 2 000 et 3 600 tr/min.	Appuyer brièvement sur le bouton de réglage pour ajouter 100 tr/min à chaque fois. Appuyer longuement sur le bouton de réglage pour ajouter 1 000 tr/min à chaque fois.
Avertissement de régime	Le réglage de base est « OFF » (arrêt).  Lorsque le réglage est « ON » (marche), le produit affiche un avertissement à la valeur de régime sélectionnée.	Appuyer brièvement sur le bouton de réglage pour ajouter 100 tr/min à chaque fois. Appuyer longuement sur le bouton de réglage pour ajouter 1 000 tr/min à chaque fois.

Sélections de menu	Renseignements et réglage de base	Options de réglage
Avertissement d'entretien	Le réglage de base est de 100 h.  Le produit émet un avertissement lorsqu'il a été utilisé pendant ce nombre d'heures.	Appuyer brièvement sur le bouton de réglage pour ajouter 1 h à chaque fois. Appuyer longuement sur le bouton de réglage pour ajouter 10 h à chaque fois.
Avertissement de tension	Le réglage de base est 11,0 V.  Le produit affiche un avertissement à cette valeur de tension.	Appuyer brièvement sur le bouton de réglage pour ajouter 0,1 V à chaque fois. Appuyer longuement sur le bouton de réglage pour ajouter 1 V à chaque fois.
Tension de batterie	Indique la tension mesurée (en V) de la batterie.	S.O.
Réinitialiser aux réglages d'usine	Réinitialise le produit aux réglages d'usine.	Ne pas utiliser.

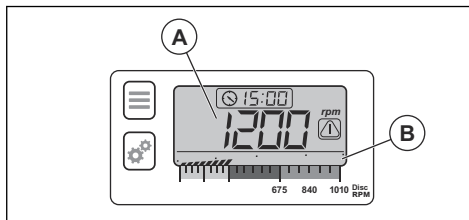
### Symboles d'avertissement de l'affichage

L'écran peut afficher des symboles d'avertissement.

- Avertissement de régime : Un triangle d'avertissement s'affiche à l'écran.
- Avertissement de faible batterie : L'écran affiche les lettres « LOU » et un triangle d'avertissement.
- Avertissement d'entretien : L'écran affiche les lettres « SUC » et un triangle d'avertissement.

### Régime (en tr/min) du moteur

L'affichage indique le régime (en tr/min) du moteur (A). L'indicateur (B) à l'écran indique le régime pour le moteur utilisé.



L'indicateur possède trois champs de couleur différente :

- Champ orange : régime de ralenti, 0 à 1 200 tr/min.
- Champ rouge : l'embrayage s'engage, 1 200 à 2 000 tr/min.



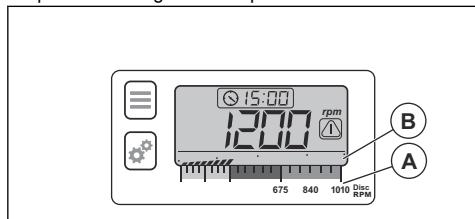


**MISE EN GARDE :** Ne pas faire fonctionner le produit à un régime compris entre 1 200 et 2 400 tr/min. L'embrayage peut se désengager.

- Champ vert : utiliser le produit, 2 400 à 3 600 tr/min.

### Régime (tr/min) des disques de meulage

Le régime des disques de meulage dépend du régime du moteur. L'indicateur (B) à l'écran indique le régime pour le moteur utilisé. Le tableau (A) sous l'affichage indique le régime des disques de meulage en fonction du régime du moteur. Lorsque le produit est utilisé au régime moteur maximal de 3 600 tr/min, le régime des disques de meulage est d'au plus 1 010 tr/min.



### Pour afficher et régler l'heure à l'écran

L'horloge peut afficher l'heure actuelle, la durée totale de fonctionnement ou la durée jusqu'à l'entretien du produit.

- Pour modifier l'heure :
  - a) Appuyer longuement sur le bouton de menu pour accéder à la sélection de l'horloge.
  - b) Appuyer brièvement sur le bouton de réglage pour changer l'heure.
- Pour afficher la durée totale de fonctionnement, appuyer brièvement une fois sur le bouton de menu.
- Pour afficher la durée jusqu'au prochain entretien, appuyer brièvement sur le bouton de menu sept fois jusqu'à ce que les lettres « SUC » s'affichent.

### Symboles figurant sur l'outil



**AVERTISSEMENT :** Ce produit peut être dangereux et causer des blessures très graves, ou même mortelles, à l'utilisateur et à d'autres personnes. Faire attention et utiliser le produit correctement.



Lire attentivement le manuel et veiller à bien comprendre les directives avant d'utiliser l'outil.



Portes des protections pour les oreilles, les yeux et les voies respiratoires. Se reporter à la section *Équipement de protection personnelle* à la page 67.



La poussière peut causer des problèmes de santé. Utiliser une protection respiratoire adéquate. Toujours s'assurer qu'il y a une bonne circulation d'air.



Le propane est très inflammable et explosif.



Toujours utiliser l'anneau de levage pour lever le produit.



Utiliser les trous pour les sangles d'arrimage afin de fixer le produit à un véhicule de transport.



Double isolation, batterie et chargeur de batterie.



Utiliser et ranger le chargeur de batterie seulement à l'intérieur.



Le produit n'est pas un déchet ménager. Il faut l'envoyer dans un centre de recyclage pour équipements électriques et électroniques.

**Remarque :** Les autres symboles et autocollants apposés sur le produit se rapportent aux exigences en matière de certification pour certains marchés.

### Symboles sur le panneau de commande



Arrêt d'urgence.



Vérification requise du moteur, communiquer avec un atelier spécialisé agréé.



Faible pression d'huile, examiner le niveau d'huile. Au besoin, communiquer avec un atelier spécialisé agréé.



Bouton de menu pour l'affichage.

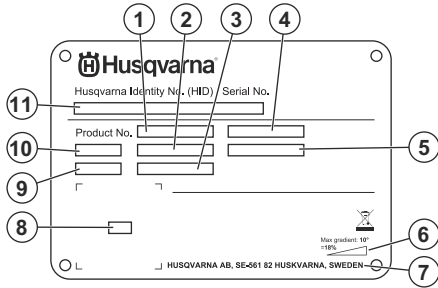


Bouton de réglage pour l'affichage.



Démarrage du moteur.

## Plaque signalétique



1. Numéro du produit
2. Poids du produit
3. Puissance du moteur
4. Vitesse de rotation du moteur
5. Boîtier
6. Angle de pente maximal
7. Fabricant
8. Code à numériser
9. Année de production
10. Modèle

## 11. Numéro de série

### Responsabilité concernant le produit

Comme indiqué dans les lois en vigueur sur la responsabilité concernant les produits, nous ne serons pas tenus responsables des dommages que notre produit causerait dans les situations suivantes :

- Le produit n'est pas réparé de façon adéquate.
- Le produit est réparé avec des pièces qui ne sont pas fournies ou homologuées par le fabricant.
- Le produit comprend un accessoire qui n'est pas fourni ou homologué par le fabricant.
- Le produit n'est pas réparé par un centre de service après-vente agréé ou par une autorité homologuée.

### Husqvarna Fleet Services™

Husqvarna Fleet Services™ est une solution dans le nuage qui offre à l'opérateur une vue d'ensemble de tous les produits connectés. Un capteur Husqvarna Fleet Services™ peut être installé sur ce produit. Le capteur Husqvarna Fleet Services™ recueille les données du produit et vous permet de vous connecter au système Husqvarna Fleet Services™. Le système Husqvarna Fleet Services™ rapporte des données comme le temps de fonctionnement, les intervalles d'entretien et l'emplacement du produit.

Pour obtenir de plus amples renseignements sur Husqvarna Fleet Services™, télécharger l'application Husqvarna Fleet Services™ ou communiquer avec un représentant Husqvarna.

## Sécurité

### Définitions relatives à la sécurité

Les avertissements, recommandations et remarques soulignent des points du manuel qui revêtent une importance particulière.



**AVERTISSEMENT:** Indique la présence d'un risque de blessure ou de décès de l'utilisateur ou de personnes à proximité si les instructions du manuel ne sont pas suivies.



**MISE EN GARDE :** Indique la présence d'un risque de dommages au produit, à d'autres appareils ou à la zone adjacente si les instructions du manuel ne sont pas suivies.

**Remarque :** Utilisé pour donner des renseignements plus détaillés qui sont nécessaires dans une situation donnée.

### Consignes générales de sécurité



**AVERTISSEMENT:** Lire les messages d'avertissement qui suivent avant d'utiliser l'outil.

- Ce produit est un outil dangereux s'il est utilisé de façon insouciant ou inappropriée. Cet outil peut causer des blessures graves, ou même mortelles, à l'utilisateur et à d'autres personnes. Il est obligatoire de lire et de comprendre le contenu de ce manuel d'utilisation avant d'utiliser l'outil.
- Conserver tous les avertissements et toutes les instructions.
- Se conformer à toutes les lois et réglementations en vigueur.
- L'utilisateur et l'employeur de l'utilisateur doivent connaître et prévenir les risques liés à l'utilisation du produit.
- Ne pas laisser une personne utiliser le produit à moins qu'elle a lu et compris le contenu de ce manuel d'utilisation.

- Ne pas faire fonctionner le produit sans avoir reçu une formation relative à son fonctionnement. S'assurer que tous les utilisateurs reçoivent une formation.
- Ne pas laisser un enfant utiliser l'outil.
- Seules les personnes autorisées peuvent utiliser le produit.
- L'utilisateur est responsable des accidents survenus à d'autres personnes ou à leurs biens.
- Ne pas utiliser le produit en cas de fatigue ou sous l'emprise de l'alcool, de drogues ou de médicaments.
- Toujours rester prudent et faire preuve de bon sens.
- Ce produit génère un champ électromagnétique pendant le fonctionnement. Ce champ magnétique peut, dans certains cas, nuire aux implants médicaux actifs ou passifs. Pour réduire le risque de blessures graves ou mortelles, il est recommandé aux personnes ayant des implants médicaux de consulter leur médecin et le fabricant de l'implant médical avant d'utiliser le produit.
- Toujours garder le produit propre. S'assurer de pouvoir lire clairement les signes et les autocollants.
- Ne pas utiliser le produit s'il est défectueux.
- Ne pas modifier ce produit.
- Ne pas utiliser le produit s'il est possible que d'autres personnes aient apporté des modifications à celui-ci.
- S'assurer que les vêtements, les cheveux longs et les bijoux ne peuvent pas se coincer dans les pièces en mouvement.
- S'assurer d'être dans une position stable et sécuritaire au cours du travail.
- Ne pas utiliser l'outil s'il n'est pas possible d'obtenir de l'aide en cas d'accident.
- Si le produit se met à vibrer ou si son niveau sonore est anormalement élevé, arrêter immédiatement le produit. Examiner le produit pour détecter d'éventuels dommages. Réparer les dommages ou laisser un atelier spécialisé faire la réparation.
- Une surexposition aux vibrations peut entraîner des problèmes circulatoires ou des troubles nerveux, en particulier chez les personnes ayant des troubles circulatoires. En cas de symptômes liés à une surexposition aux vibrations, consulter un médecin. Ces symptômes sont les suivants : engourdissement, perte de sensibilité, fourmillement, picotement, douleur, faiblesse musculaire, décoloration ou modification de l'épiderme. Ces symptômes apparaissent habituellement aux doigts, aux mains et aux poignets.
- Toujours utiliser des accessoires approuvés. Pour obtenir de plus amples renseignements, communiquer avec votre concessionnaire.

## Consignes de sécurité pour l'utilisation



**AVERTISSEMENT:** Lire les messages d'avertissement qui suivent avant d'utiliser l'appareil.

- Utiliser de l'équipement de protection individuelle. Se reporter à la section *Équipement de protection personnelle à la page 67*.
- Ne pas utiliser ce produit dans des zones où un incendie ou des explosions peuvent se produire.
- Ne pas s'éloigner de l'outil lorsque le moteur est sous tension.
- Toujours arrêter le moteur avant de s'éloigner du produit.
- Ne pas tirer sur le tuyau de l'extracteur de poussière. Le produit peut alors tomber et provoquer des blessures ou des dommages.
- La tête de meulage doit toucher la surface lorsque le produit est démarré.
- Ne pas démarrer le produit si la jupe pare-poussière n'est pas installée. La jupe pare-poussière doit complètement fermer l'espace entre le produit et le sol.
- Se tenir à l'écart des endroits où le produit pourrait provoquer des blessures. Le produit peut rapidement changer de position et heurter l'opérateur.
- Si le produit ne fonctionne pas correctement, arrêter le moteur.



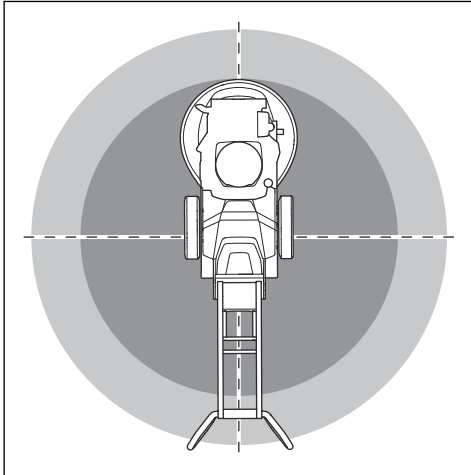
**AVERTISSEMENT:** Lire les messages d'avertissement qui suivent avant d'utiliser l'appareil.

- Toujours utiliser un équipement de protection personnelle lors de l'utilisation du produit. L'équipement de protection personnelle ne supprime pas le risque de blessures. L'équipement de protection personnelle réduit la gravité des blessures en cas d'accident. Laisser le concessionnaire vous aider à sélectionner l'équipement adéquat.
- Utiliser un dispositif de protection homologué pour les yeux pendant l'utilisation du produit.
- Ne pas utiliser des vêtements lâches, lourds ou non adéquats. Utiliser des vêtements qui permettent de se déplacer librement.
- Utiliser des gants de protection homologués qui offrent une prise solide.
- Porter des gants de protection en caoutchouc afin d'éviter toute irritation de la peau causée par le béton humide.
- Utiliser un casque de protection approuvé.
- Toujours porter un dispositif de protection homologué pour les oreilles lorsqu'on utilise le produit. Le fait d'entendre du bruit pendant une longue période peut engendrer une perte auditive.
- Le produit génère de la poussière et des fumées qui contiennent des produits chimiques dangereux. Utiliser une protection respiratoire adéquate.
- Utiliser des bottes à embout en acier et semelles antidérapantes.

- Vérifier qu'on dispose d'une trousse de premiers soins à proximité.
- Des étincelles peuvent se produire pendant l'utilisation du produit. S'assurer d'avoir un extincteur à proximité.

### Sécurité de l'aire de travail

- Pendant le fonctionnement, éloigner les personnes présentes de la zone illustrée ci-dessous. L'opérateur doit être très prudent dans cette zone pendant le fonctionnement.



- S'assurer que seules les personnes autorisées se trouvent dans la zone de travail.
- Ne pas utiliser le produit dans le brouillard, la pluie, le vent violent, par temps froid, en cas de risque d'orage ou dans d'autres mauvaises conditions météorologiques. L'utilisation du produit par mauvais temps ou dans des endroits humides peut avoir un effet négatif sur la vigilance. Les mauvaises conditions météorologiques peuvent engendrer des conditions de travail dangereuses.
- Rester à l'affût des personnes, des objets et des situations susceptibles d'entraver l'utilisation sécuritaire du produit.
- Maintenir la zone de travail suffisamment éclairée.
- Ne pas utiliser ce produit dans des zones où un incendie ou des explosions peuvent se produire.

### Sécurité associée au propane



**AVERTISSEMENT:** Lire les messages d'avertissement qui suivent avant d'utiliser l'outil.

- Le propane est inflammable et ses vapeurs sont explosives. Faire preuve de prudence afin d'éviter toute blessure, tout incendie et toute explosion.
- Lire toutes les instructions sur le produit et sur le réservoir de propane.

- Ne pas changer l'équipement de contrôle du propane. Modifier l'équipement de contrôle du propane pourrait occasionner des niveaux d'émissions dangereux du moteur.
- Ne pas respirer les vapeurs de carburant. Les vapeurs de carburant sont toxiques et peuvent provoquer des blessures. S'assurer que le débit d'air est suffisant.
- Ne pas démarrer le moteur dans une zone où le débit d'air est insuffisant. Le propane est plus lourd que l'air et peut s'accumuler dans les zones basses. Un débit d'air insuffisant augmente le risque d'incendie ou d'explosion en raison d'étincelles et le risque de blessure associé aux vapeurs.
- Ne pas fumer à proximité du produit, du moteur ou du réservoir de propane.
- Ne pas placer des objets chauds à proximité du propane ou du moteur.
- Garder le produit à l'écart des étincelles et des flammes.
- Vérifier régulièrement l'étanchéité du système d'alimentation en propane. S'il y a des fuites, ne pas démarrer le moteur jusqu'à ce que les fuites soient réparées.
- Ne pas conserver des réservoirs de propane dans un bâtiment. Les réservoirs de propane ne doivent être utilisés à l'intérieur que pendant l'utilisation du produit.
- Conserver les réservoirs de propane dans un endroit sûr et aéré de manière suffisante.

### Sécurité relative aux gaz d'échappement



**AVERTISSEMENT:** Lire les messages d'avertissement qui suivent avant d'utiliser l'outil.

- L'inhalation à long terme des gaz d'échappement peut provoquer des problèmes de santé.
- Les gaz d'échappement du moteur contiennent du monoxyde de carbone, un gaz inodore, toxique et très dangereux. Respirer du monoxyde de carbone peut entraîner la mort. Le monoxyde de carbone étant inodore et invisible, il n'est pas possible de le détecter. Un symptôme d'intoxication au monoxyde de carbone est l'étourdissement, mais il est possible qu'une personne perde connaissance sans avertissement si la quantité ou la concentration de monoxyde de carbone est suffisante.
- Les gaz d'échappement visibles ou odorants contiennent également du monoxyde de carbone.
- Ne pas utiliser un produit doté d'un moteur à combustion à l'intérieur ou dans des endroits mal aérés.

### Sécurité en matière de batteries



**AVERTISSEMENT:** Lire les messages d'avertissement qui suivent avant d'utiliser l'outil.

- Utiliser uniquement les batteries recommandées pour votre produit. Les batteries sont cryptées au moyen d'un logiciel.
- Utiliser uniquement des batteries d'origine pour ce produit. Il existe un risque d'explosion si une batterie est remplacée par une batterie de type incorrect. Pour obtenir de plus amples renseignements, communiquer avec votre concessionnaire.
- Utiliser les batteries qui sont rechargeables en tant que source d'alimentation pour les produits Husqvarna connexes seulement. Pour éviter les blessures, ne pas utiliser la batterie en tant que source d'alimentation pour d'autres appareils.
- Risque de décharge électrique. Ne pas raccorder les bornes de la batterie à des clés, des vis ou tout autre élément métallique. Cela peut provoquer un court-circuit de la batterie.
- S'il y a une fuite au niveau de la batterie, ne pas laisser le liquide toucher la peau ou les yeux. Si on touche le liquide, nettoyer la zone avec une grande quantité d'eau et consulter un médecin.
- Ne pas utiliser des batteries qui ne sont pas rechargeables.
- Ne pas modifier la batterie.
- Ne pas placer d'objet dans les fentes de ventilation de la batterie.
- Maintenir la batterie à l'écart de la lumière du soleil, de la chaleur et des flammes nues. La batterie peut provoquer une explosion et causer des brûlures ou des brûlures chimiques.
- Garder la batterie à l'écart de la pluie et de l'humidité.
- Garder la batterie à l'écart des micro-ondes et des pressions élevées.
- Ne pas essayer de démonter ou de briser la batterie.
- Utiliser la batterie à une température comprise entre -10 °C (14 °F) et 40 °C (104 °F).
- Ne pas nettoyer la batterie ou le chargeur de batterie avec de l'eau. Se reporter-vous à *Pour nettoyer la batterie et le chargeur de batterie, à la page 80.*
- Ne pas utiliser une batterie défectueuse ou endommagée.
- Garder les piles dans le local de rangement, à l'écart des objets métalliques tels que les clous, les vis ou les bijoux.
- Maintenir la batterie à l'écart des enfants.

## Dispositifs de sécurité sur l'outil

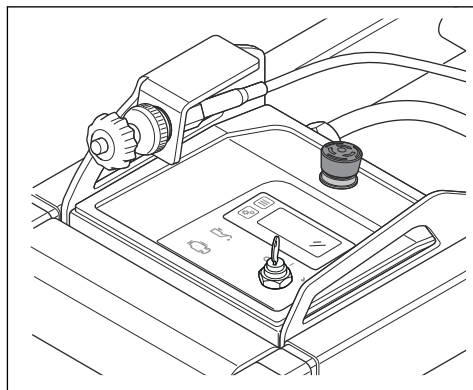


**AVERTISSEMENT:** Lire les messages d'avertissement qui suivent avant d'utiliser l'outil.

- Ne pas utiliser un outil dont les dispositifs de protection sont défectueux.
- Vérifier régulièrement les dispositifs de sécurité. Si les dispositifs de sécurité sont défectueux, parler à votre agent d'entretien Husqvarna.

## Bouton d'arrêt d'urgence

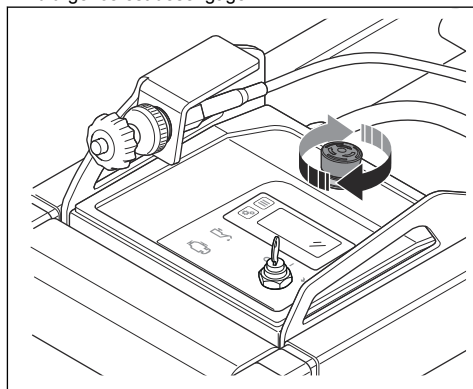
Le bouton d'arrêt d'urgence permet d'arrêter rapidement le moteur. Le bouton d'arrêt d'urgence coupe l'alimentation électrique secteur.



**MISE EN GARDE :** Ne pas utiliser le bouton d'arrêt d'urgence comme bouton d'arrêt du produit.

## Pour vérifier le bouton d'arrêt d'urgence

1. Tourner le bouton d'arrêt d'urgence sur le panneau de commande dans le sens des aiguilles d'une montre pour s'assurer que le bouton d'arrêt d'urgence est désengagé.



2. Démarrer le moteur. Se reporter à la section *Mise sous tension de l'appareil à la page 75.*
3. Appuyer sur le bouton d'arrêt d'urgence.
4. Tourner le bouton d'arrêt d'urgence dans le sens des aiguilles d'une montre pour le désengager.

## Consignes de sécurité pour la maintenance

- Garder toutes les pièces en bon état d'utilisation et s'assurer que toutes les fixations sont correctement serrées.
- Ne pas utiliser un produit endommagé. Effectuer les vérifications de sécurité, de maintenance et d'entretien conformément aux instructions fournies dans ce manuel. Tous les autres travaux de maintenance doivent être effectués par un agent d'entretien agréé.

- L'installation et la réparation du système d'alimentation en propane doivent être effectuées uniquement par du personnel d'entretien agréé pour les systèmes au propane.
- Arrêter le produit pour remplacer les outils diamantés. Tourner la clé d'allumage à la position « 0 » et appuyer sur le bouton d'arrêt d'urgence.
- Effectuer l'inspection ou l'entretien avec le moteur à l'arrêt.
- Effectuer la maintenance pour s'assurer que le produit fonctionne de façon adéquate. Se reporter à la section *Calendrier d'entretien à la page 79*.

## Fonctionnement

### Introduction



**AVERTISSEMENT:** Avant d'utiliser le produit, lire et bien comprendre le chapitre sur la sécurité.

### Pour retirer le produit de l'emballage



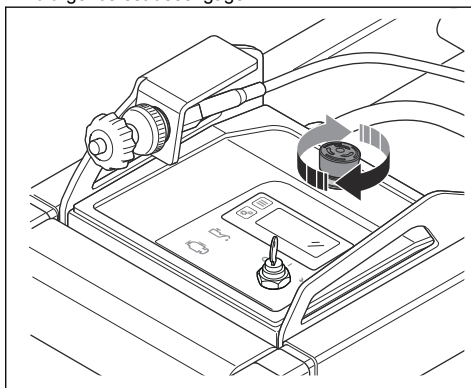
**AVERTISSEMENT:** Retirer le produit de la palette avec précaution et en toute sécurité. Le produit est lourd et peut provoquer des blessures graves en cas de chute.

- S'assurer que tous les éléments illustrés dans la vue d'ensemble du produit sont inclus. Se reporter à la section *Vue d'ensemble du produit, côté droit à la page 62*. Communiquer avec le concessionnaire Husqvarna si un article est manquant ou endommagé, avant de retirer le produit de la palette.
- Retirer toutes les sangles d'emballage et les cales de roues.
- S'assurer que la zone est dégagée et qu'il y a suffisamment d'espace pour déplacer le produit.
- S'assurer qu'il n'y a aucun risque que vous ou le produit tombiez.
- Utiliser des rampes ou de l'équipement de levage pour retirer le produit de la palette. Le produit est lourd. Déplacer le produit avec prudence. Se reporter à la section *Transport à la page 86*.

6. Placer le produit sur la zone de travail. S'assurer que le transport du produit vers et dans la zone de travail est effectué correctement et en toute sécurité. Se reporter à la section *Transport à la page 86*.
7. S'assurer qu'il y a des outils diamantés sur les plaques porte-outil, et que les outils diamantés ainsi que les plaques porte-outil sont solidement fixés.
8. Brancher un extracteur de poussière sur le produit. Se reporter à la section *Branchement de l'extracteur de poussière à la page 73*.
9. Régler la poignée et le guidon à la hauteur d'utilisation appropriée. Se reporter à la section *Pour régler la poignée et le guidon à la page 74*.
10. S'assurer que la batterie est connectée. Se reporter à la section *Branchement de la batterie à la page 74*.
11. S'assurer que le réservoir de propane est connecté. Se reporter à la section *Pour connecter et déconnecter le réservoir de propane à la page 75*.
12. Tourner le bouton d'arrêt d'urgence sur le panneau de commande dans le sens des aiguilles d'une montre pour s'assurer que le bouton d'arrêt d'urgence est désengagé.

### Avant d'utiliser le produit

1. Lire attentivement le manuel d'utilisation et veiller à bien comprendre les directives.
2. Porter l'équipement de protection personnelle nécessaire. Se reporter à la section *Équipement de protection personnelle à la page 67*.
3. S'assurer que seules les personnes autorisées se trouvent dans la zone de travail.
4. Effectuer l'entretien quotidien. Se reporter à la section *Calendrier d'entretien à la page 79*.
5. S'assurer que le produit est correctement monté et qu'il n'est pas endommagé.



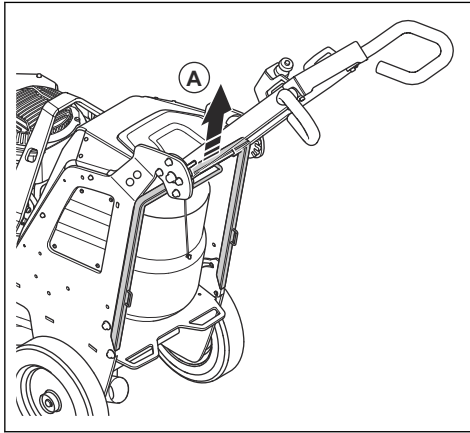
## Pour engager et désengager le cadre de support

Le produit est doté d'un cadre de support qui permet d'incliner le produit vers l'arrière. Le cadre de support sert également de dispositif de suspension pour suspendre le tuyau de l'extracteur de poussière et le cordon d'alimentation.

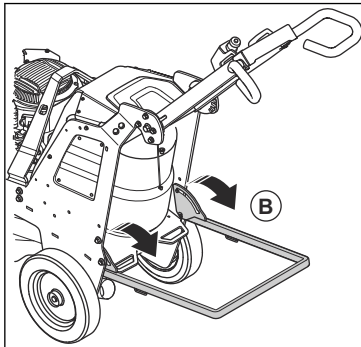


**AVERTISSEMENT:** Faire preuve de prudence pendant le déplacement du cadre de support. Les pièces mobiles peuvent provoquer des blessures.

1. Lever le cadre de support (A) sur une courte distance.



2. Abaisser le cadre de support (B).



3. Replier le cadre de support dans l'ordre inverse.

## Outils diamantés

Il y a plusieurs types et configurations d'outils diamantés pour le produit. Les outils diamantés à liant métallique sont utilisés pour l'élimination des matériaux, alors que les outils diamantés à liant en résine sont utilisés pour polir les surfaces. Sélectionner des outils diamantés qui

sont appropriés à la surface. Communiquer avec le concessionnaire Husqvarna ou visiter [www.husqvarnacp.com](http://www.husqvarnacp.com) pour obtenir de l'aide afin de sélectionner l'outil approprié.

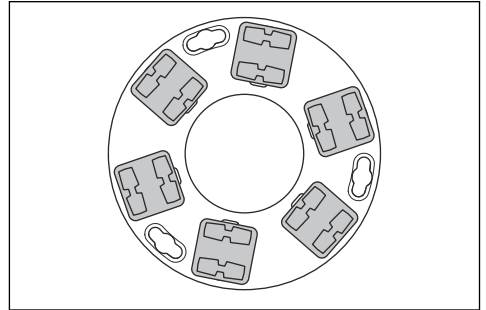
## Solutions de porte-disques de rechange pour outils diamantés

- Utiliser un porte-disques Redi lock pour fixer des outils diamantés à liant métallique.
- Utiliser un porte-disques en résine pour fixer des outils diamantés à liant plastique.

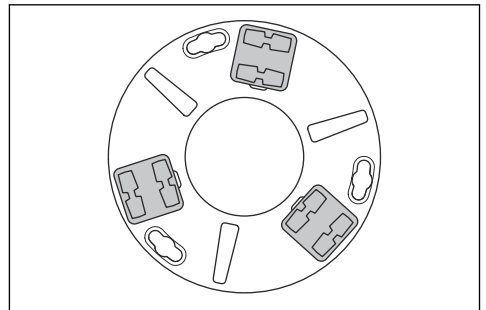
## Jeu complet et demi-jeu d'outils diamantés

La configuration des segments de l'outil diamanté a un effet sur la qualité finale de la surface. La configuration a également un effet sur le taux de fonctionnement du produit.

- Jeu complet d'outils diamantés : Cette configuration s'applique à une finition de sol plat.



- Demi-jeu d'outils diamantés : Cette configuration s'applique lorsqu'une finition de sol plat n'est pas nécessaire.



## Remplacement des outils à diamants



**AVERTISSEMENT:** Utiliser des gants de protection, parce que les outils diamantés peuvent devenir très chauds.



**AVERTISSEMENT:** Porter un dispositif de protection respiratoire homologué pendant le remplacement des outils diamantés. La poussière présente sous la tête de meulage est dangereuse pour la santé.

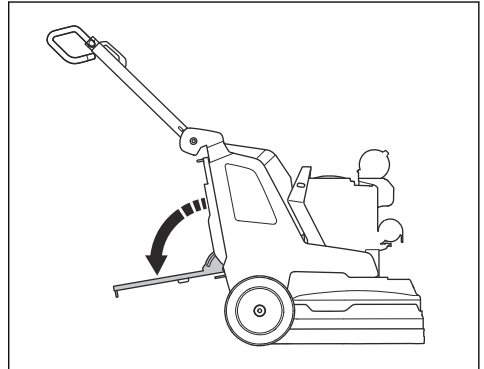


**AVERTISSEMENT:** Utiliser l'extracteur de poussière pendant le remplacement des outils diamantés. L'extracteur de poussière réduit la présence de poussière pouvant entraîner des problèmes de santé.

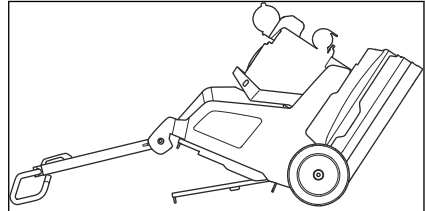


**MISE EN GARDE :** Tous les disques de meulage doivent toujours avoir le même nombre et le même type de diamants. La hauteur des diamants doit être identique sur tous les disques de meulage.

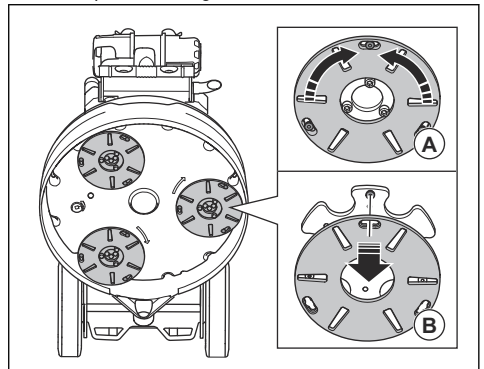
- Engager le cadre de support. Se reporter à la section *Pour engager et désengager le cadre de support à la page 71.*



- Tenir le guidon et incliner le produit vers l'arrière avec un pied sur le cadre de support. Incliner le produit jusqu'à ce que le guidon soit posé sur le sol.

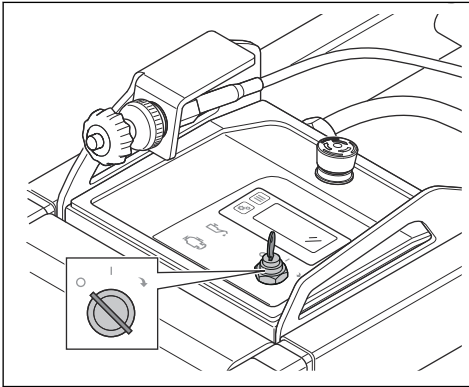


- Enfiler des gants de protection.
- Tourner la plaque porte-outil (A) vers la droite ou vers la gauche pour déverrouiller cette plaque fixée au disque de meulage.

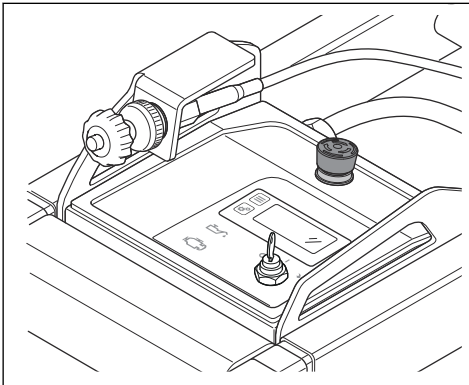


- Tirer la plaque porte-outil en ligne droite vers l'extérieur (B) pour retirer cette plaque du disque de meulage.

- Tourner la clé d'allumage à « 0 ».



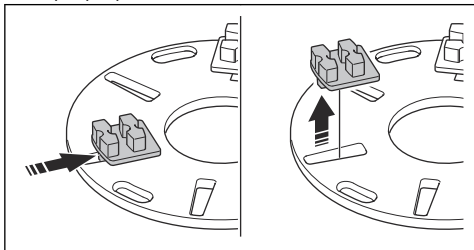
- Appuyer sur le bouton d'arrêt d'urgence.



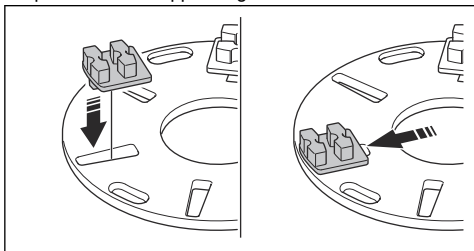
- Placer la poignée en position d'entretien. Se reporter à la section *Positions de la poignée à la page 73.*
- Si des poids sont montés, les régler en position arrière. Se reporter à la section *Pour régler les poids à la page 78.*



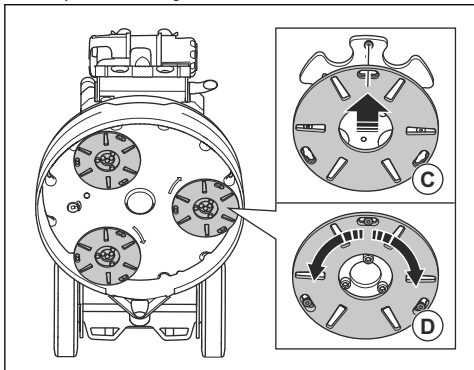
10. À l'aide d'un marteau, retirer les outils diamantés de la plaque porte-outil.



11. Fixer les nouveaux outils diamantés sur la plaque porte-outil en frappant légèrement avec le marteau.



12. Fixer la plaque porte-outil en ligne droite (C) sur le disque de meulage.



13. Tourner la plaque porte-outil (D) vers la droite ou vers la gauche pour la verrouiller sur le disque de meulage.

14. Soulever avec précaution le produit en position d'utilisation. Utiliser le guidon et le cadre de support comme support.

15. Désengager le cadre de support.

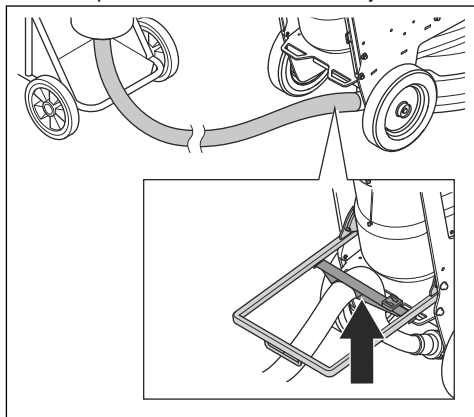
## Branchement de l'extracteur de poussière



**AVERTISSEMENT:** Ne pas utiliser l'extracteur de poussière si son tuyau est endommagé. Le risque de respirer de la poussière dangereuse pour la santé

augmente. Utiliser un dispositif de protection respiratoire homologué.

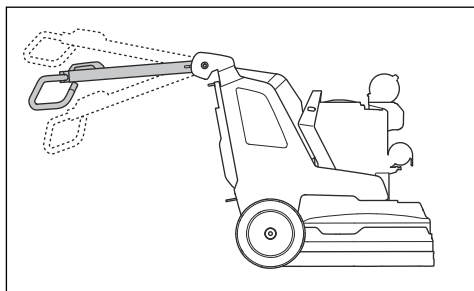
1. Vérifier que le tuyau de l'extracteur de poussière n'est pas endommagé.
2. Veiller à ce que les filtres de l'extracteur de poussière soient en bon état et non endommagés.
3. S'assurer que la tête de meulage n'est pas en fonction.
4. Brancher le tuyau de l'extracteur de poussière au produit.
5. Engager le cadre de support. Se reporter à la section *Pour engager et désengager le cadre de support à la page 71.*
6. Accrocher le tuyau de l'extracteur de poussière sur le dispositif de suspension sur le cadre de support afin de prévenir toute tension dans ce tuyau.



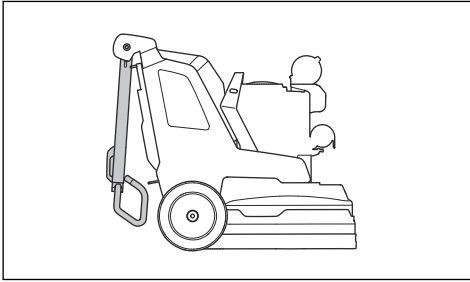
7. Désengager le cadre de support.

## Positions de la poignée

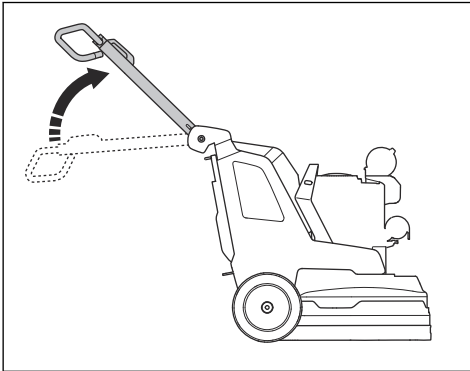
- Position d'utilisation de la poignée :



- Position de transport de la poignée :



- Position d'entretien de la poignée :



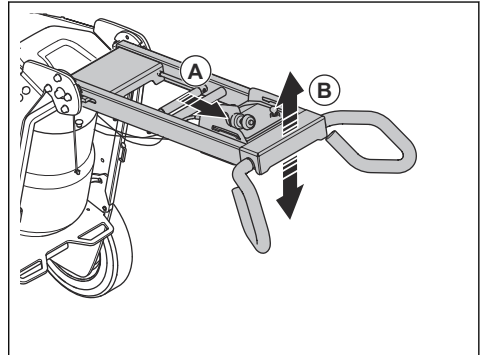
### Pour régler la poignée et le guidon



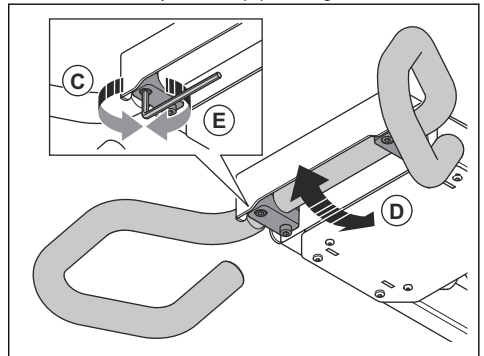
**AVERTISSEMENT:** Faire preuve de prudence pendant le réglage de la poignée et du guidon. S'assurer que la poignée et le guidon sont verrouillés en position. Les pièces mobiles peuvent provoquer des blessures.

Régler la hauteur de la poignée aussi près que possible de la hauteur de la hanche de l'opérateur. Pendant le fonctionnement, le produit peut dévier vers un côté. La hanche de l'opérateur peut aider à arrêter ce mouvement vers le côté.

1. Tirer le levier de verrouillage (A) de la poignée dans la direction du panneau de commande et le maintenir dans cette position.



2. Régler la poignée (B) à une hauteur adéquate pour l'utilisation du produit.
3. Relâcher le levier de verrouillage sur la poignée pour verrouiller la position de la poignée.
4. Desserrer les quatre vis (C) sur le guidon.



5. Régler le guidon (D) à une hauteur adéquate pour l'utilisation du produit.
6. Serrer les quatre vis (E) sur le guidon pour verrouiller la position du guidon.

### Branchement de la batterie

- S'assurer que les câbles sont fermement reliés aux bornes adéquates, rouge (+) en premier, noir (-) en deuxième. Débrancher la batterie dans l'ordre inverse.
- S'assurer que le support qui maintient la batterie en place est correctement assemblé, de façon à ce que la batterie ne bouge pas pendant le fonctionnement.

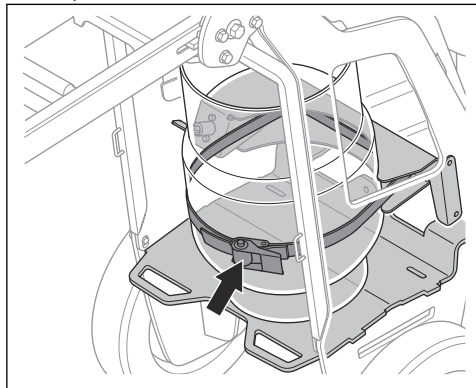
## Pour connecter et déconnecter le réservoir de propane



**MISE EN GARDE :** S'assurer d'utiliser le type de réservoir de propane approprié. Un réservoir de propane inadéquat peut endommager le produit. Se reporter à la section *Données techniques à la page 88*.

Si le réservoir de propane est connecté et que le produit n'est pas en cours de fonctionnement, fermer la soupape du réservoir de propane.

1. S'assurer que le réservoir de propane est fermement maintenu en place par le verrou et la plaque-support. Le réservoir de propane ne peut pas se déplacer lorsqu'il est correctement installé.



2. Connecter le tuyau de propane du produit au réservoir de propane.
3. S'assurer que le tuyau de propane est correctement connecté au robinet de carburant du moteur.
4. S'assurer que tous les raccords sont alignés. Serrer les raccords à la main pour connecter le réservoir de propane au produit.



**MISE EN GARDE :** Ne pas utiliser d'outil pour connecter le réservoir de propane au produit. Les raccords pourraient être endommagés.

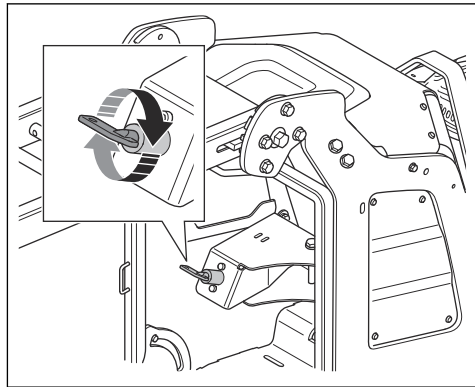
5. Pour permettre le débit de propane, tourner la soupape du réservoir de propane dans le sens inverse des aiguilles d'une montre jusqu'à ce qu'elle s'arrête.
6. Effectuer un essai au savon sur toutes les conduites de propane. Se reporter à la section *Pour examiner le réservoir et les conduites de propane à la page 81*.
7. Effectuer la déconnexion dans l'ordre inverse.

## Régime de fonctionnement

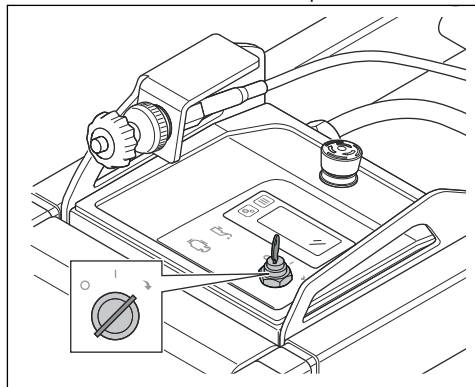
Si le produit est utilisé sur un nouveau type de surface, régler d'abord le régime à 70 %. Lorsque l'opérateur connaît le type de surface, le régime peut être modifié.

## Mise sous tension de l'appareil

1. Connecter le réservoir de propane. Se reporter à la section *Pour connecter et déconnecter le réservoir de propane à la page 75*.
2. Tourner l'interrupteur principal dans le sens des aiguilles d'une montre.



3. Appuyer légèrement sur le guidon pour soulever la tête de meulage de la surface. Cela permet de réduire la friction de surface des outils diamantés. Ne pas lever complètement la tête de meulage de la surface pendant l'utilisation.
4. Tourner la clé d'allumage à la position de démarrage du moteur et la maintenir à cette position.



5. Quand le moteur démarre, relâcher immédiatement la clé d'allumage. La clé d'allumage passe en position « 1 ».



**MISE EN GARDE :** Ne pas tenter de démarrer le moteur pendant plus de cinq secondes à la fois. Si le moteur ne démarre pas, attendre 15 secondes avant de réessayer.

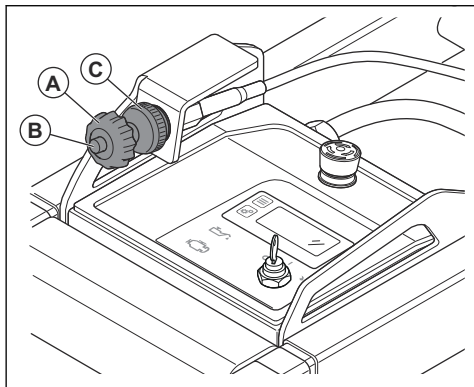
6. Avant d'utiliser le produit, attendre de 3 à 5 minutes et laisser le moteur se réchauffer. Laisser tourner au ralenti à un régime maximal de 1200 tr/min. Se reporter à la section *Utilisation du produit à la page 76*.

## Utilisation du produit



**MISE EN GARDE :** Déplacer constamment le produit pendant que la tête de meulage est en fonction. Si le produit n'est pas déplacé, la surface peut devenir rugueuse.

1. Démarrer le moteur. Se reporter à la section *Mise sous tension de l'appareil à la page 75*.
2. Tourner la commande d'accélération (A) dans le sens inverse des aiguilles d'une montre pour démarrer la tête de meulage et augmenter le régime. Régler le régime à 2000 tr/min ou plus. Se reporter à la section *Régime (en tr/min) du moteur à la page 64*.



3. Pour augmenter le régime plus rapidement, appuyer sur le bouton (B) de la commande d'accélération et tourner celle-ci.
4. Si le bouton sur la commande d'accélération est utilisé, tourner le bouton « TURN TO LOCK » (tourner pour verrouiller) (C) dans le sens des aiguilles d'une montre pour verrouiller le régime.
5. Pousser le produit vers l'avant sur la surface du sol. Utiliser la commande d'accélération pour régler le régime pendant l'utilisation du produit.

## Arrêt de la machine



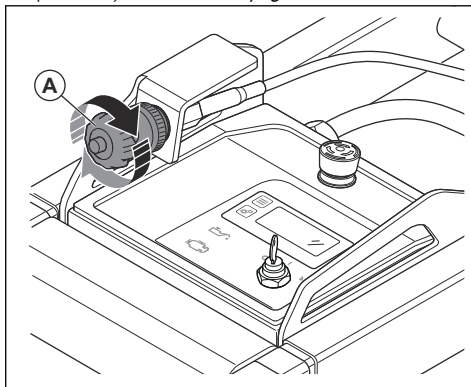
**MISE EN GARDE :** Ne pas soulever la tête de meulage de la surface au cours de l'arrêt du moteur. Les plaques porte-outil tournent

pendant un moment après l'arrêt du moteur. De la poussière peut se retrouver dans l'air et la surface peut être endommagée.



**MISE EN GARDE :** Ne pas laisser le produit s'immobiliser tant que les plaques porte-outil ne se sont pas complètement arrêtées.

1. Tourner la commande d'accélération (A) dans le sens des aiguilles d'une montre pour réduire le régime. Régler le régime à 1 200 tr/min pour mettre le produit au ralenti. Se reporter à la section *Régime (en tr/min) du moteur à la page 64*.



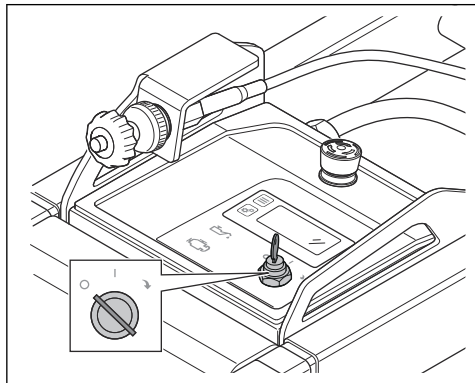
2. Tourner la soupape du réservoir de propane dans le sens des aiguilles d'une montre jusqu'à ce qu'elle s'arrête pour couper l'alimentation en propane du moteur.
3. Maintenir les plaques porte-outil contre la surface jusqu'à ce qu'elles s'arrêtent complètement.



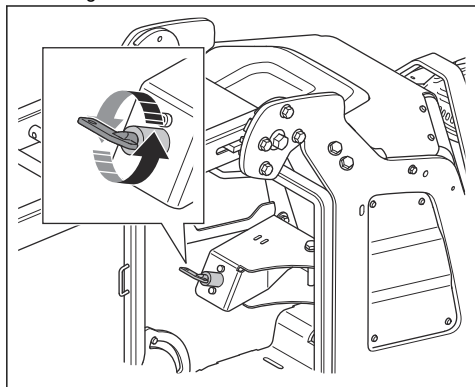
**MISE EN GARDE :** Pendant le meulage d'asphalte adhésif, de peinture ou d'un matériau équivalent, le produit peut adhérer à la surface adhésive. Immédiatement après l'arrêt complet de la plaque porte-outil, soulever légèrement l'avant de la tête de meulage.

4. Attendre l'arrêt du moteur. Le moteur s'arrête lorsqu'il n'y a pas de carburant dans la conduite.

5. Tourner la clé d'allumage à la position d'arrêt du moteur.



6. Tourner l'interrupteur principal dans le sens inverse des aiguilles d'une montre.

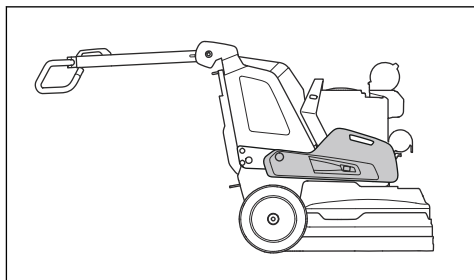


## Poids

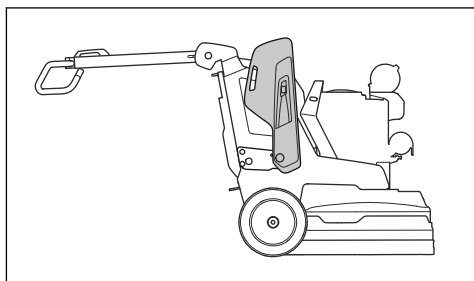
Chaque côté du produit comporte un poids. Si le produit est lourd à utiliser, régler les poids pour modifier la pression sur la tête de meulage. Les poids doivent être réglés à la même position sur les côtés droit et gauche. Les poids ont trois positions :

- Position 1 : Pression maximale sur la tête de meulage. Cette position augmente l'effet de

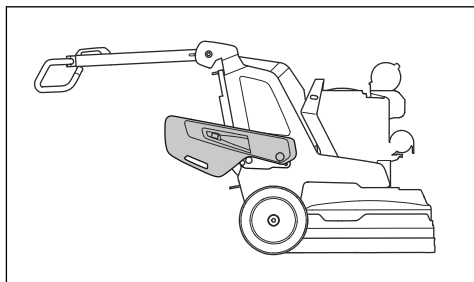
fonctionnement. Cette position est également utilisée lorsque le produit est placé en position de transport.



- Position 2 : Pression normale sur la tête de meulage.



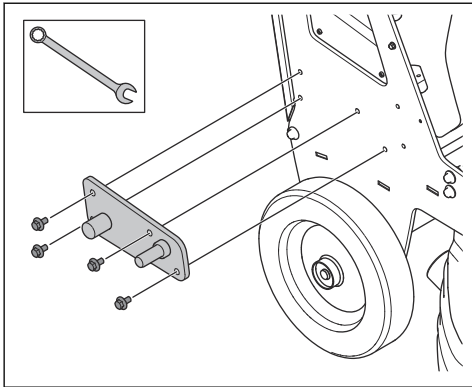
- Position 3 : Pression minimale sur la tête de meulage. Cette position est également utilisée pour incliner le produit en position d'entretien.



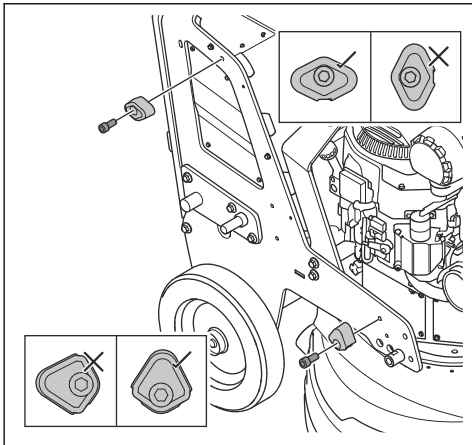
## Pour monter et démonter les poids

Chaque côté du produit comporte un poids. Procéder comme suit pour chaque poids.

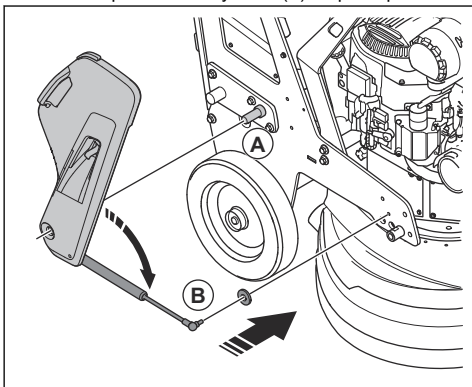
1. Installer le porte-poids et serrer les quatre vis.



2. Installer les deux supports de poids. S'assurer que les supports de poids sont correctement installés de la manière illustrée.

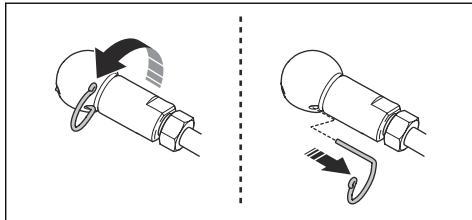


3. Placer le poids sur le cylindre (A) du porte-poids.



4. Fixer le ressort à gaz de poids sur le produit (B).

a) Retirer le ressort de verrouillage du joint à rotule.



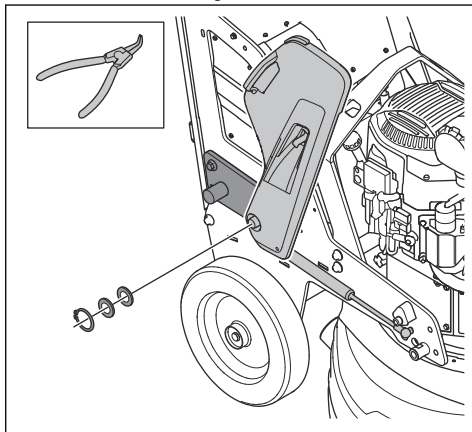
b) Retirer le joint à rotule du ressort à gaz.

c) Fixer le joint à rotule au produit.

d) Fixer le ressort à gaz sur le joint à rotule.

Verrouiller le ressort à gaz sur le joint à rotule au moyen du ressort de verrouillage.

5. Verrouiller le poids sur le porte-poids au moyen de l'anneau de verrouillage.



### Pour régler les poids

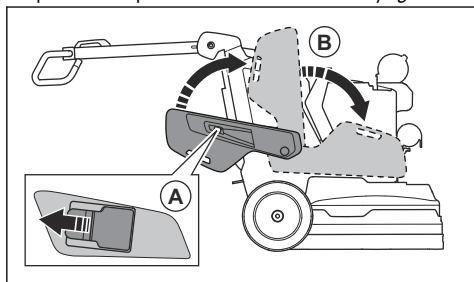


**AVERTISSEMENT:** Faire preuve de prudence pendant le réglage des poids. Les pièces mobiles peuvent provoquer des blessures.



**AVERTISSEMENT:** Toujours s'assurer que le verrou de poids se verrouille correctement lorsque les poids sont placés dans la position sélectionnée.

1. Pousser le verrou de poids (A) et déplacer le poids à la position sélectionnée (B) à l'aide de la poignée de poids. Se reporter à la section *Poids à la page 77*.



2. Relâcher le verrou de poids pour verrouiller ce dernier dans la position sélectionnée.

## Entretien

### Introduction



**AVERTISSEMENT:** Avant de procéder à l'entretien, lire et bien comprendre le chapitre sur la sécurité.

Pour tous les travaux d'entretien et de réparation sur le produit, une formation spécifique est nécessaire. La disponibilité des réparations et des entretiens effectués de façon professionnelle est garantie. Si un distributeur n'est pas un agent d'entretien, communiquer avec lui pour connaître l'agent d'entretien le plus proche.

### À faire avant l'entretien

- Utiliser de l'équipement de protection individuelle. Se reporter à *Équipement de protection personnelle à la page 67*.
- Utiliser un dispositif de protection respiratoire homologué. La poussière engendrée par le produit est dangereuse pour la santé.
- Stationner la machine sur une surface de niveau.
- Arrêter le moteur et débrancher la batterie et le réservoir de propane pour éviter tout démarrage accidentel pendant l'entretien.

- Nettoyer la zone autour du produit pour éliminer toute trace d'huile et de saleté. Enlever les objets indésirables.
- Placer des panneaux de signalisation bien visibles pour avertir les personnes présentes que des travaux d'entretien sont en cours.
- Garder des extincteurs, des fournitures médicales et un téléphone d'urgence à proximité.

### Calendrier d'entretien

\* = Entretien général effectué par l'opérateur. Les instructions ne sont pas décrites dans ce manuel de l'opérateur.

X = Les indications sont décrites dans ce manuel de l'opérateur.

O = Les instructions ne sont pas décrites dans ce manuel de l'opérateur. Laisser un agent d'entretien agréé effectuer l'entretien.

Entretien	Quotidien	Hebdomadaire	Tous les 6 mois	Tous les 12 à 36 mois
Vérifier le verrou de l'allumage.	*			
Vérifier la commande d'accélération.	*			
Vérifier le bouton d'arrêt d'urgence.	X			
Vérifier les points de fixation et la fonction de verrouillage de la poignée.		*		
Vérifier les points de fixation et la fonction de verrouillage des poids.		*		
Nettoyer les surfaces externes du produit.	X			
Nettoyer les composants internes du produit.			O	

Entretien	Quotidien	Hebdomadaire	Tous les 6 mois	Tous les 12 à 36 mois
Vérifier les ailettes de refroidissement d'huile. Si nécessaire, nettoyer les ailettes de refroidissement d'huile.	X			
Effectuer une inspection générale.	X			
Vérifier les disques de meulage.	X			
Vérifier le bon fonctionnement du système d'entraînement de la tête de meulage.		X		
Examiner le réservoir de propane et toutes les conduites à la recherche de fuites.	X			
Vérifier le niveau d'huile moteur.	X			
Vidanger l'huile moteur.		X		
Remplacer le filtre à huile.		X		
Remplacer les filtres à air.		X		
Vérifier la bougie d'allumage.		X		
Effectuer l'entretien du système d'entraînement des disques de meulage.				O
Vérifier la connexion entre le châssis et la tête de meulage.		*		

## Nettoyage du produit



**MISE EN GARDE :** Une obstruction de la prise d'air réduit le rendement du produit et peut entraîner la surchauffe du moteur.

- Enlever l'obstruction de toutes les ouvertures. Le produit doit toujours être suffisamment refroidi.
- Ne pas utiliser de produit chimique pour nettoyer le produit.
- Ne pas nettoyer les composants électriques avec de l'eau.
- Toujours nettoyer tous les équipements à la fin de la journée de travail. Nettoyer les composants de la surface inférieure de la tête de meulage à l'aide d'un nettoyeur à haute pression.



**MISE EN GARDE :** Ne pas diriger le nettoyeur à haute pression directement vers les joints d'étanchéité ou les points de connexion.

## Pour nettoyer la batterie et le chargeur de batterie.



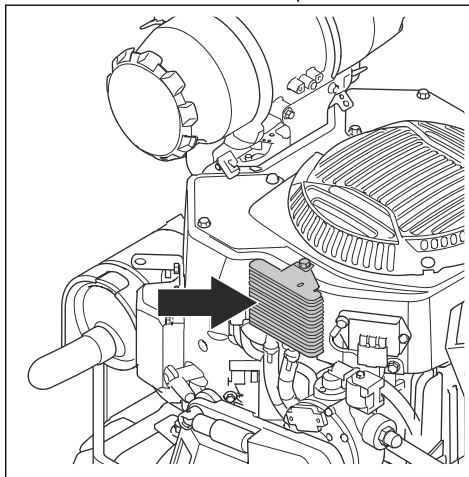
**MISE EN GARDE :** Ne pas nettoyer la batterie ou le chargeur de batterie avec de l'eau.

- S'assurer que la batterie et le chargeur de batterie sont propres et secs avant de raccorder la batterie au chargeur de batterie.

- Nettoyer les cosses batterie avec de l'air comprimé ou utiliser un chiffon doux et sec.
- Nettoyer les surfaces de la batterie et le chargeur de batterie au moyen d'un chiffon sec et doux.

## Pour nettoyer les ailettes de refroidissement d'huile

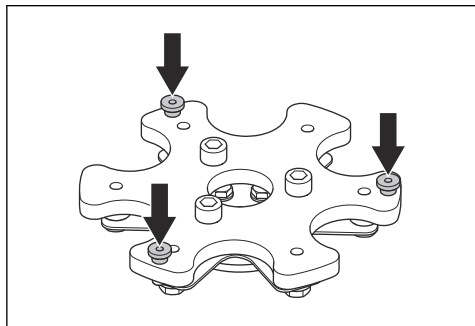
- Nettoyer les ailettes de refroidissement d'huile à l'aide d'une brosse ou d'air comprimé.





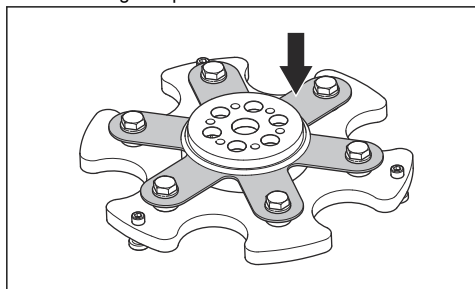
## Pour effectuer une inspection générale

- S'assurer que les vis et les écrous sont bien serrés.
- S'assurer que les verrous de tête sont bien serrés. Au besoin, serrer les verrous de tête et utiliser de l'adhésif frein-filet LOCTITE® 680.



## Pour vérifier les disques de meulage

- Vérifier que le ressort en acier à ressorts n'est pas endommagé et qu'il est en bon état.



- Remplacer les ressorts en acier à ressorts endommagés.

**Remarque :** Il n'est pas nécessaire de jeter le disque de meulage lorsque le ressort en acier à ressorts est remplacé.

- Ajouter un deuxième ressort en acier à ressorts pour rendre la tête en acier à ressorts moins flexible.

## Système d'entraînement de la tête de meulage

Le système d'entraînement de la tête de meulage est un système fermé. En cas de problème avec le système d'entraînement de la tête de meulage, communiquer avec un atelier spécialisé Husqvarna.

## Pour examiner le réservoir et les conduites de propane



**MISE EN GARDE :** Examiner le réservoir de propane et les conduites chaque fois que le

réservoir de propane est rempli ou connecté au produit.

1. S'assurer que le réservoir de propane n'est pas endommagé.
2. Connecter le réservoir de propane au produit. Se reporter à la section *Pour connecter et déconnecter le réservoir de propane à la page 75*.
3. Vaporiser un mélange de savon sur toutes les conduites et tous les raccords. Le mélange de savon est composé à 50 % de savon et à 50 % d'eau.
4. En cas de fuite, des bulles apparaissent sur les conduites et les raccords. Communiquer avec un agent de réparation agréé.

## Pour remplir le réservoir de propane



**MISE EN GARDE :** Examiner le réservoir de propane et les conduites chaque fois que le réservoir de propane est rempli ou connecté au produit. Se reporter à la section *Pour examiner le réservoir et les conduites de propane à la page 81*.

Ne pas remplir de manière excessive le réservoir de propane. Le réservoir de propane peut contenir un maximum de 9 kg (20 lb) de propane. Un réservoir de propane plein ne doit pas peser plus de 21,8 kg (48 lb). Si le réservoir de propane est trop rempli, du givre se forme sur les conduites de propane ou sur le régulateur.

1. Éteindre le produit. Se reporter à la section *Arrêt de la machine à la page 76*.
2. S'assurer que la soupape du réservoir de propane est fermée.
3. Retirer le réservoir de propane du produit.
4. Remplir le réservoir de propane avec du propane neuf ou remplacer le réservoir de propane.
5. Si le réservoir de propane est trop rempli, utiliser un tournevis sur la soupape du réservoir de propane pour évacuer le propane indésirable. Évacuer le propane en suivant une procédure sûre; se reporter à *Sécurité associée au propane à la page 68*.
6. Installer le réservoir de propane rempli ou neuf sur le produit. Se reporter à la section *Pour connecter et déconnecter le réservoir de propane à la page 75*.
7. Si le temps est froid, conserver le produit à l'intérieur avant de l'utiliser afin de réchauffer le réservoir de propane. On peut également utiliser une couverture chauffante de réservoir de propane pour réchauffer ce réservoir.

## Vérification du niveau d'huile



**MISE EN GARDE :** Un niveau d'huile trop faible peut causer des dommages au moteur. Vérifier le niveau d'huile avant d'utiliser le produit.

1. Placer le produit sur un sol plat.
2. Retirer le bouchon du réservoir d'huile avec la jauge d'huile.
3. Nettoyer l'huile sur la jauge d'huile.
4. Insérer entièrement la jauge dans le réservoir d'huile pour obtenir une estimation appropriée du niveau d'huile.
5. Retirer la jauge d'huile.
6. Examiner le niveau d'huile sur la jauge d'huile.
7. Si le niveau d'huile est trop bas, remplir avec de l'huile moteur et vérifier de nouveau le niveau d'huile.

## Vidange de l'huile

Si le moteur est froid, démarrer le moteur pendant 1 à 2 minutes avant de vidanger l'huile moteur. Cela réchauffe l'huile moteur, ce qui facilite la vidange.

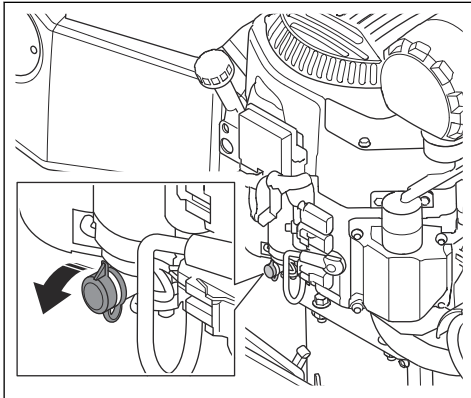


**AVERTISSEMENT:** Ne pas faire fonctionner le moteur pendant plus d'une à deux minutes avant de vidanger l'huile moteur. L'huile moteur devient très chaude et peut causer des brûlures graves. Laisser le moteur se refroidir avant de vidanger l'huile moteur.



**AVERTISSEMENT:** En cas de déversement d'huile moteur sur votre corps, nettoyer avec du savon et de l'eau.

1. Placer un récipient sous le bouchon de vidange d'huile.
2. Retirer le bouchon de vidange d'huile.



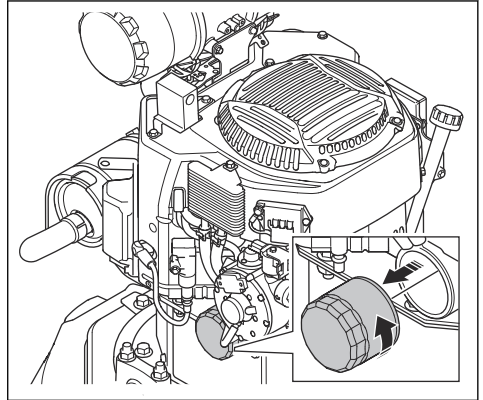
3. Vidanger l'huile dans le récipient.
4. Installer le bouchon de vidange d'huile et le serrer.
5. Remplir avec de l'huile neuve. Se reporter à la section *Données techniques* à la page 88.
6. Démarrer le moteur et le laisser tourner au régime de ralenti pendant trois minutes.

7. Arrêter le moteur et s'assurer que le bouchon de vidange d'huile ne fuit pas.
8. Vérifier le niveau d'huile moteur. Se reporter à *Vérification du niveau d'huile* à la page 81.

**Remarque :** Pour mettre au rebut de façon sécuritaire l'huile moteur usagée, se reporter à *Mise au rebut* à la page 87.

## Pour remplacer le filtre à huile

1. Vidanger l'huile moteur; se reporter à *Vidange de l'huile* à la page 82.
2. Tourner le filtre à huile dans le sens antihoraire pour le retirer.



3. Lubrifier légèrement le joint en caoutchouc du filtre à huile neuf avec de l'huile neuve.
4. Pour fixer le filtre à huile, le tourner dans le sens des aiguilles d'une montre jusqu'à ce que le joint d'étanchéité en caoutchouc soit en place. Serrer encore de deux tiers de tour le filtre à huile.
5. Remplir avec de l'huile neuve. Se reporter à la section *Données techniques* à la page 88.
6. Démarrer le moteur et le laisser tourner au régime de ralenti pendant trois minutes.
7. Arrêter le moteur et s'assurer que le filtre à huile ne fuit pas.
8. Vérifier le niveau d'huile moteur.

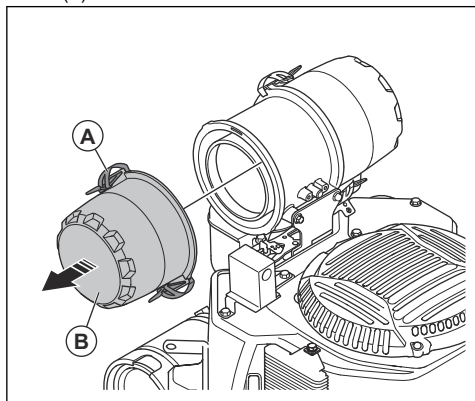
## Remplacement des filtres à air



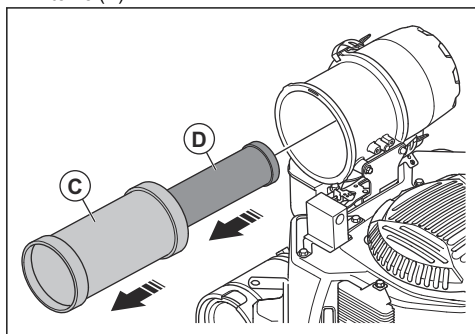
**MISE EN GARDE :** Ne pas faire fonctionner le produit lorsque les filtres à air sont retirés.

**Remarque :** Ne pas nettoyer les filtres à air. Remplacer les filtres à air lorsque nécessaire.

1. Ouvrir les deux agrafes (A) du boîtier de filtre à air (B) et retirer ce boîtier.



2. Remplacer le filtre à air externe (C) et le filtre à air interne (D).



3. Installer les filtres à air neufs dans l'ordre inverse.

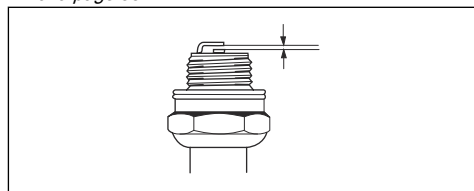
**Remarque :** Si les deux agrafes du boîtier de filtre à air ne peuvent pas être fermées, le filtre à air externe n'est pas correctement installé.

## Vérification de la bougie d'allumage



**MISE EN GARDE :** Toujours utiliser une bougie d'allumage du type recommandé. Une bougie d'allumage de type inapproprié peut endommager le produit.

- Examiner la bougie d'allumage si le moteur manque de puissance, démarre difficilement ou ne fonctionne pas correctement au régime de ralenti.
- Afin de réduire le risque de matériau indésirable sur les électrodes de la bougie, respecter les consignes suivantes :
  - a) Vérifier que le régime de ralenti est réglé de façon adéquate.
  - b) Vérifier que le mélange de carburant est correct.
  - c) Vérifier que le filtre à air est propre.
- Si la bougie d'allumage est sale, la nettoyer et s'assurer que l'écartement des électrodes est correct, se reporter à la section *Données techniques à la page 88*.



- Remplacer la bougie d'allumage au besoin.

## Dépannage

Problème	Causes	Solution
Le produit ne démarre pas	La batterie n'est pas chargée.	Charger la batterie.
	Le bouton d'arrêt d'urgence est engagé.	Tourner le bouton d'arrêt d'urgence de la commande du panneau de commande dans le sens des aiguilles d'une montre pour le désengager.
	L'interrupteur de sécurité est ouvert dans le boîtier électrique.	Fermer l'interrupteur pour compléter le circuit.
Le moteur ne démarre pas.	Le réservoir de propane est vide.	Remplir ou remplacer le réservoir de propane.
	La soupape du réservoir de propane est fermée.	Tourner la soupape du réservoir de propane pour ouvrir le réservoir de propane.
	L'allumage est défectueux.	Communiquer avec un agent de réparation agréé.

Problème	Causes	Solution
Le moteur démarre, mais s'arrête après un moment.	Le réservoir de propane est presque vide.	Remplir ou remplacer le réservoir de propane.
	Le module antipollution est endommagé.	Communiquer avec un agent de réparation agréé.
Le moteur démarre, mais s'arrête après une ou deux minutes.	Le signal vers le module antipollution n'est pas correct.	Remplacer le filtre à air.  Si le problème persiste, communiquer avec un atelier spécialisé agréé.
Le moteur est en marche, mais la meuleuse ne démarre pas.	La courroie est brisée.	Si la courroie est brisée, demander à un centre d'entretien de la remplacer.  Tourner l'un des disques de meulage à la main. Si tous les disques de meulage tournent ensemble, la courroie n'est pas endommagée. Si un disque de meulage tourne librement, la courroie est brisée.
	L'embrayage se désengage.	Communiquer avec un agent de réparation agréé.
Le moteur s'arrête.	Les valeurs d'émission sont supérieures aux niveaux autorisés.	Vérifier si le témoin du système antipollution est allumé. Communiquer avec un agent de réparation agréé.
Le produit dégage une odeur de fumée.	L'embrayage se désengage.	S'assurer que le régime du moteur n'est pas compris entre 1 200 et 2 000 tr/min.
Le produit n'est pas facile à tenir.	Il y a trop peu d'outils diamantés installés sur le produit.	Augmenter le nombre d'outils diamantés pour réduire la charge sur le produit et l'opérateur.
	Le moteur d'entraînement de meulage ne fonctionne pas.	S'assurer que le moteur d'entraînement de meulage est connecté.
	Cela peut être dû à une défaillance du moteur ou à une défaillance d'un fil vers le moteur.	Si le problème persiste, communiquer avec un atelier spécialisé agréé.
	La courroie est brisée.	Si la courroie est brisée, demander à un centre d'entretien de la remplacer.  Tourner l'un des disques de meulage à la main. Si tous les disques de meulage tournent ensemble, la courroie n'est pas endommagée. Si un disque de meulage tourne librement, la courroie est brisée.
	La surface ou l'opération sont trop exigeantes pour la capacité du produit.	Régler le régime du moteur ou la vitesse de déplacement vers l'avant du produit sur le sol.

<b>Problème</b>	<b>Causes</b>	<b>Solution</b>
Le produit émet un son comme s'il augmente trop le régime.	Le moteur d'entraînement de meulage n'est pas connecté.	S'assurer que le moteur d'entraînement de meulage est connecté.
	Le moteur d'entraînement de meulage ne fonctionne pas.	S'assurer que le moteur d'entraînement de meulage est connecté.
	Cela peut être dû à une défaillance du moteur ou à une défaillance d'un fil vers le moteur.	Si le problème persiste, communiquer avec un atelier spécialisé agréé.
	La surface est trop épaisse ou la configuration d'outil diamanté est incorrecte.	Appuyer légèrement sur le guidon pour soulever la tête de meulage de la surface au démarrage du produit.
Le produit présente un motif de rayures irrégulier.	Les outils diamantés sont mal fixés ou fixés à des hauteurs différentes sur les disques de meulage.	S'assurer que tous les outils diamantés sont correctement installés et qu'ils sont tous à la même hauteur.
	Les outils diamantés sont de types mixtes.	S'assurer que tous les segments sont du même grain de diamant et qu'ils utilisent le même liant. Si les segments diamantés sont irréguliers, espacer uniformément les segments diamantés irréguliers. Faire fonctionner le produit sur une surface abrasive jusqu'à ce que tous les segments aient la même hauteur.
	Les verrous de tête sont desserrés ou manquants.	S'assurer que tous les verrous de tête sont en place et bien serrés.
	Les outils en résine sont mélangés ou présentent une contamination indésirable.	S'assurer que tous les outils en résine ont le même grain de diamant, qu'ils utilisent le même liant et qu'il n'y a pas de contamination. Pour nettoyer les outils en résine, les faire fonctionner pendant un court moment sur une surface légèrement abrasive.
	Les disques de meulage sont usés ou endommagés.	Vérifier que les disques de meulage ne présentent pas de sections cassées ou de mouvements excessifs.
Des mouvements indésirables et brusques affectent le produit.	Les disques de meulage sont usés ou endommagés.	Vérifier que les disques de meulage ne sont pas endommagés et qu'ils ne bougent pas trop.
	Les outils diamantés sont mal fixés ou fixés à des hauteurs différentes sur les disques de meulage.	S'assurer que tous les outils diamantés sont correctement installés et qu'ils sont tous à la même hauteur.
	Les verrous de tête sont desserrés ou manquants.	S'assurer que tous les verrous de tête sont en place et bien serrés.
Le fusible se déclenche.	Charge trop élevée ou fusibles trop petits.	Vérifier la dimension des fusibles et l'inertie.
		Réduire la pression de meulage, augmenter le nombre d'outils diamantés ou augmenter la dureté du liant utilisé.

---

# Transport, entreposage et mise au rebut

---

## Transport



**AVERTISSEMENT:** Être prudent lors du transport. Le produit est lourd et peut causer des blessures ou des dommages s'il se renverse ou se déplace pendant le transport.

Les roues permettent de déplacer le produit sur de courtes distances. Pour de plus longues distances, soulever le produit pour le déplacer ou le placer sur un véhicule.

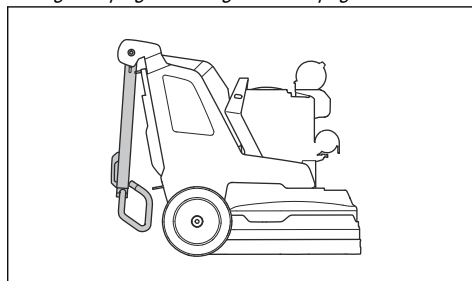


**MISE EN GARDE :** Ne pas remorquer le produit derrière un véhicule.

- Faire preuve d'une grande prudence pendant le déplacement manuel du produit ou sur des surfaces en pente. De petites pentes peuvent entraîner un mouvement rapide qui ne peut pas être freiné à la main.
- Arrimer le produit pendant le transport. S'assurer qu'il ne puisse pas bouger.
- Placer une protection adéquate sur le produit pendant le transport. La protection garde le produit à l'abri des éléments tels que la pluie et la neige.
- Utiliser toujours l'anneau de levage sur le produit pour soulever ce dernier.
- Ne pas soulever le produit par le guidon, le moteur, le châssis ou d'autres parties.
- Il est préférable de transporter le produit sur une palette.
- Toujours soulever le produit à l'aide d'un élévateur ou d'un élévateur à fourche.
- Ne pas utiliser d'élévateur à fourche si le produit n'est pas placé sur une palette ou un chariot. Cela peut endommager les disques de meulage et d'autres composants internes.
- Pendant le transport, la tête de meulage doit être au sol. Pour éviter d'endommager le mécanisme de verrouillage des plaques porte-outils, celles-ci doivent demeurer en place.

## Pour régler l'outil à la position de transport

- Rabattre la poignée. Se reporter à la section *Pour régler la poignée et le guidon à la page 74.*



- Si les poids sont fixés au produit, les régler en position avant. Se reporter à la section *Pour régler les poids à la page 78.*
- S'assurer que la tête de meulage touche la surface.

## Pour déplacer le produit vers le haut ou vers le bas dans une pente



**AVERTISSEMENT:** Être très prudent lors du déplacement du produit dans une pente, moteur en marche. Le produit est lourd et il y a un risque de blessure si le produit se renverse ou se déplace trop rapidement.



**AVERTISSEMENT:** Sur les pentes abruptes, utiliser toujours un treuil. Ne pas marcher ou rester devant le produit. Ne pas rester dans la zone à risque du produit. Se reporter à la section *Sécurité de l'aire de travail à la page 68.*



**AVERTISSEMENT:** Ne pas déplacer le produit sur des pentes abruptes. Consulter la plaque d'identification du produit pour obtenir de plus amples renseignements sur l'angle de pente maximal.

- Pour descendre une pente avec le produit, faire fonctionner le produit lentement en marche arrière.
- Pour monter une pente avec le produit, faire fonctionner le produit lentement en marche avant.
- Ne pas tourner le produit à plus de 45° sur une pente.

## Levage du produit



**AVERTISSEMENT:** S'assurer que l'équipement de levage possède les spécifications correctes pour soulever le produit en toute sécurité. Le poids du produit figure sur sa plaque signalétique.

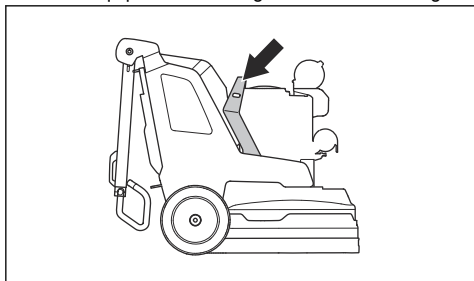


**AVERTISSEMENT:** Ne pas marcher ou rester en dessous ou à proximité d'un produit soulevé. Garder les personnes présentes à l'écart de la zone à risque. Se reporter à la section *Sécurité de l'aire de travail* à la page 68.



**AVERTISSEMENT:** Ne pas soulever un produit endommagé. S'assurer que l'anneau de levage est correctement posé et en bon état.

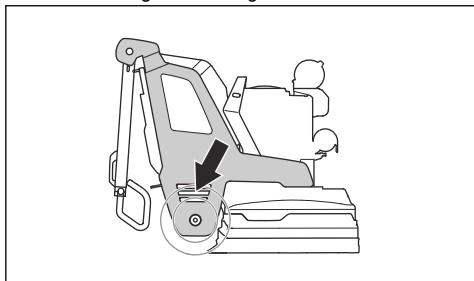
1. Régler le produit à la position de transport. Se reporter à la section *Pour régler l'outil à la position de transport* à la page 86.
2. Fixer l'équipement de levage à l'anneau de levage.



## Pour fixer le produit sur un véhicule de transport

Le produit est doté de trous qui sont utilisés avec des sangles d'arrimage pour fixer le produit sur le véhicule.

1. Fixer les sangles d'arrimage dans les trous.



2. Fixer et serrer les sangles d'arrimage sur le véhicule.

## Entreposage



**MISE EN GARDE:** Ne pas entreposer le produit à l'extérieur. Toujours garder le produit à l'intérieur.

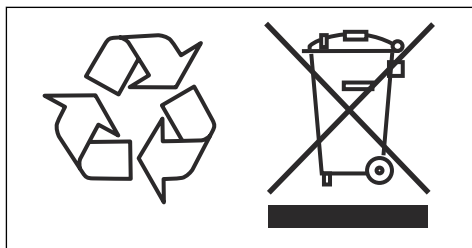
- Conserver le produit dans un endroit sec à l'abri du gel.
- Nettoyer le produit et effectuer un entretien complet avant de l'entreposer.
- Maintenir la tête de meulage au sol.
- Garder le produit dans un endroit verrouillé hors de portée des enfants et des personnes non autorisées.
- Ne pas conserver des réservoirs de propane dans un bâtiment. Les réservoirs de propane ne doivent être utilisés à l'intérieur que pendant l'utilisation du produit. Conserver les réservoirs de propane dans un endroit sûr et aéré de manière suffisante.

## Mise au rebut

Les symboles sur le produit ou l'emballage du produit indiquent que vous ne pouvez pas traiter ce produit comme un déchet domestique. Le déposer dans un centre de recyclage pour la récupération des équipements électriques et électroniques.

S'assurer de débrancher le réservoir de propane et de retirer la batterie du produit avant de remettre ce dernier à un centre de recyclage approprié. Remettre la batterie à un centre de recyclage approprié.

En veillant à ce que ce produit soit traité de façon adéquate, vous contribuez à réduire l'impact négatif potentiel sur l'environnement et les personnes de la mauvaise gestion des déchets. Pour obtenir de plus amples renseignements sur le recyclage de ce produit, communiquez avec votre municipalité, votre service de déchets ménagers ou le magasin où vous avez acheté le produit.



## Données techniques

### Données techniques

Puissance du moteur, kW/HP	16,2/22
Poids, kg/lb	481/1060
Largeur de surfaçage, mm/po	630/24,8
Disque de meulage, mm/po	3x270/10,5
Pression de surfaçage, kg/lb	188/414
Poids en position 1 (avant), kg/lb	224/538
Poids en position 2 (vertical), kg/lb	192/423
Poids en position 3 (arrière), kg/lb	139/306
Régime de disque de meulage, tr/min min./max.	675-1010
Régime de la tête de meulage, tr/min min./max.	68-101
Régime du moteur, tr/min	1200-3600
Sens de rotation	Tête de meulage : sens des aiguilles d'une montre  Disque de meulage : sens inverse des aiguilles d'une montre
Pente maximale, degrés °	10
Type de batterie	12 V, 20 Ah
Boîtier, IP	54
Carburant	Retrait de vapeur de propane
Écartement des électrodes de bougie, mm/po	0,76/0,03
<b>Extracteur de poussière recommandé<sup>9</sup></b>	
Outil de l'extracteur de poussière, mm/po	75/3
Débit d'air min., m <sup>3</sup> /h / pi <sup>3</sup> /min	600/353
Aspiration min., kPa / lb/po <sup>2</sup>	28/4,1

### Niveaux sonores

#### Émissions sonores<sup>10</sup>

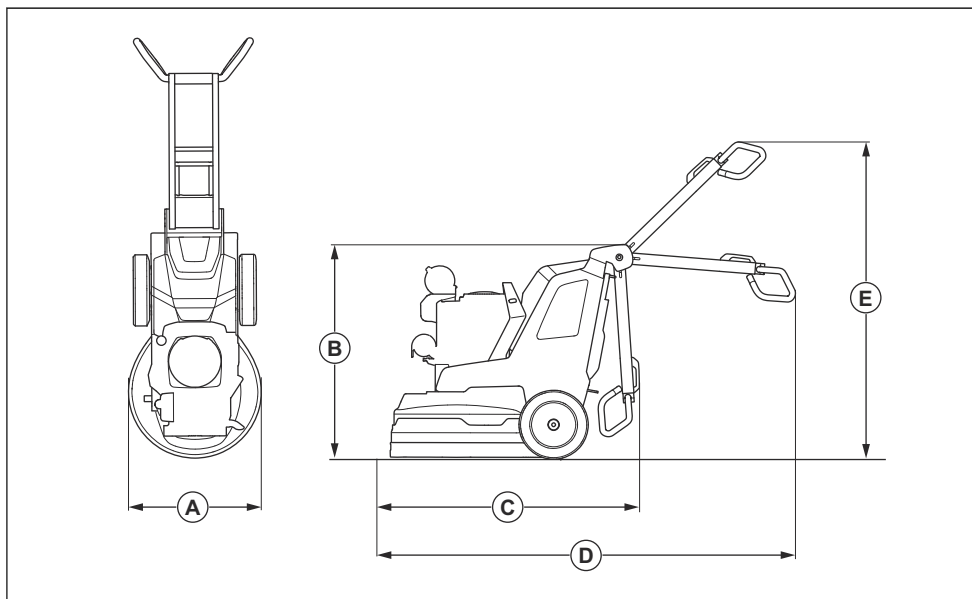
<sup>9</sup> Les caractéristiques techniques des extracteurs de poussière ne décrivent pas de manière concluante les performances réelles au fil du temps entre les différents extracteurs de poussière. Pour les produits Husqvarna, les données objectives OSHA sont disponibles sur le site [www.husqvarnacp.com/us](http://www.husqvarnacp.com/us)

<sup>10</sup> Émissions sonores dans l'environnement mesurées en tant que puissance acoustique conforme à la directive EN 60335-2-72. Incertitude de mesure prévue : 2,5 dB(A).



Niveau de puissance acoustique, $L_W$ [dB(A)] mesuré	102,6
<b>Niveaux sonores<sup>11</sup></b>	
Niveau de pression sonore au niveau de l'oreille de l'opérateur, $L_p$ [dB (A)]	80,9
<b>Niveaux de vibrations<sup>12</sup></b>	
Poignée droite, $m/s^2$	1,9
Poignée gauche, $m/s^2$	1,9

## Dimensions de l'outil



<b>A</b>	Largeur, mm/po	670/26,4
<b>B</b>	Hauteur totale min. (poignée repliée), mm/po	1145/45,1
<b>C</b>	Longueur totale min. (poignée repliée), mm/po	1390/54,7
<b>D</b>	Longueur totale max. (poignée déployée), mm/po	2125/83,7
<b>E</b>	Hauteur totale max. (poignée déployée), mm/po	1700/66,9

<sup>11</sup> Niveau de pression sonore selon la directive EN 60335-2-72. Incertitude de mesure prévue : 4 dB(A).

<sup>12</sup> Niveau de vibration selon EN 60335-1 et EN 60335-2-72. Les données signalées pour le niveau de vibration présentent une dispersion statistique type (écart-type) de 1  $m/s^2$ . Les valeurs des niveaux de vibration sont valides pour le fonctionnement manuel.







[www.husqvarnacp.com](http://www.husqvarnacp.com)

Original instructions  
Instrucciones originales  
Instructions d'origine

1141353-49



2019-11-05