



Made in the USA



ZBM000036DEL / 1-2014

*The Original*

# Dust Deputy®



**AXD000004**

Vacuum  
Not  
Included

U.S. Patent #7,282,074 C1  
U.S. Patent #4,599,918

Regardless of where you purchased your Dust Deputy®, if you have any questions or issues with missing parts, damage or replacement issues, please call Oneida Air Systems first to let us help to resolve your problem! We fully stand behind our product and value our customers and want to do everything possible to make your purchase and experience with Oneida Air Systems a good one!

**For Customer Service**  
M - F 8:30 - 5:00 pm EST  
**866 - 387 - 8822**  
customerservice@oneida-air.com

O.A.S. © 2014

**Deluxe Dust Deputy® Owner's Manual**

**1.800.732.4065 www.oneida-air.com**

# System Start-Up Information

## Safety Instructions to be Strictly Followed.

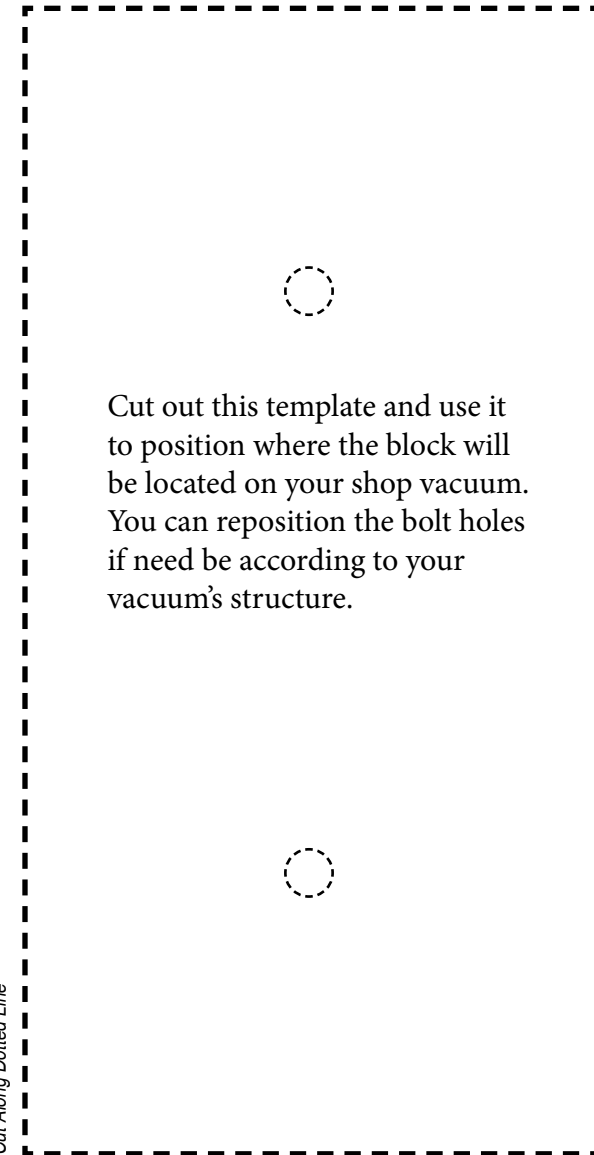
*Read the installation and maintenance instructions as well as the recommended safety practices in this manual and your shop vacuum's owner's manual before assembling and using the Dust Deputy®.*

- ▶ Do not vacuum anything that is burning or smoking, such as cigarettes, matches, or hot ashes **or any hot substance!**
- ▶ Do not vacuum, or use this Dust Deputy® near flammable or combustible liquids, gases, or explosive dusts, such as gasoline or other fuels, lighter fluid, cleaners, oil-based paints, natural gas, hydrogen, coal dust, magnesium dust, grain dust, aluminum dust, sugar dust, flour dust or gun powder.
- ▶ To reduce the risk of health hazards from vapors or dusts, do not vacuum toxic materials unless a HEPA filter is used. Do not use or store near hazardous materials.
- ▶ The Dust Deputy® is made from static dissipating plastic. Additional grounding is recommended for increased safety. See grounding instructions.
- ▶ Wood dust mixtures are highly flammable and can be explosive. **NEVER** introduce sparks or sources of ignition into collector.
  - 1.) Dump drum after each use.
  - 2.) Ground system. (See pg. 9) For added safety.
- ▶ **NEVER leave wood dust in a building or vehicle.**
- ▶ Keep fire extinguishers handy at all times.
- ▶ Can be used for collecting non-flammable liquids.
- ▶ **Always read your shop vacuum owner's manual for safety procedures regarding the operation of your shop vacuum.**
- ▶ Dispose of waste in a **FIRE SAFE AREA.**

## WARNING / SAFETY

*Some dusts are highly flammable or explosive. Learn / know what you are dealing with. Follow all local, state, federal & NFPA codes and guide lines.*

## Foam Block Template



# Deluxe Kit Contents Plastic Deluxe Dust Deputy® - AXD000004

U.S. Patent #7,282,074 C1

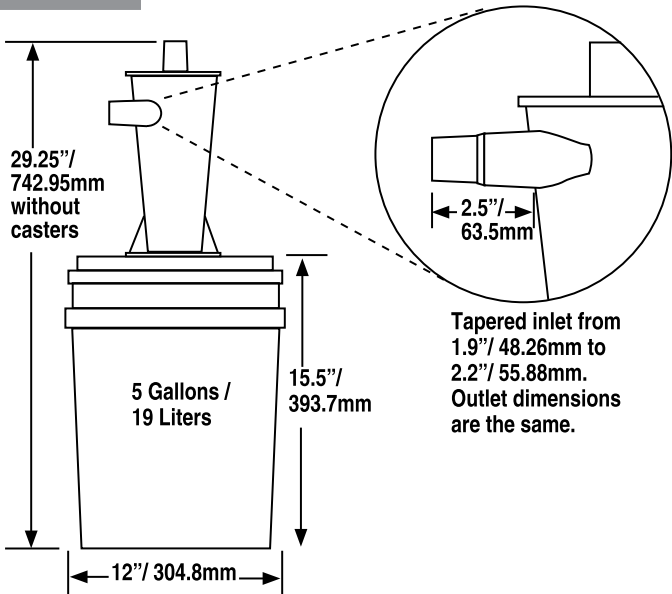


- Lid 5 gal. w/ bolt & ctr. holes (1) SDX050001
- Block foam 2"x3"x6" (1) AFF030306
- Gasket for Cyclone (1) AXG000004
- Pail 5 gal. (2) SDS050001
- Hose 2.5" x 61" (1) AXD250081
- Plastic Cyclone (1) VXC110002
- Elbow 2" (1) AHA000004
- Hardware AHK000004
- Casters (3) RHC000006
- Hose Retention Ring & 2 1/4" Clamp
  - 1/4 - 20 x 3/4 Hex Head Bolt (6) - AFS015920
  - 1/4 Whiz Nut (8) - AFT000005
  - 1/4 Flat Washer (6) - AFW025000
  - 5/16 x 1 1/2 Fender Washer (4) - AFW170000
  - 1/4 - 20 x 3 1/2 Carriage Bolt (2) - AFB025350
  - Metal grounding tape 24"

### Tools Needed For Assembly:

Power Drill / 5/16" Drill Bit / 14mm Thin Wrench / 1/2" Open End Wrench / (2) 7/16" Open End Wrenches

## Dimensions



# Terms & Conditions

Oneida Air Systems makes every effort to accurately represent our products and prices, however OAS reserves the right to make changes to products and prices at any time. As a manufacturer, OAS reserves the right to change product specifications at any time in an effort to achieve better quality products.

## Fire Hazards and Codes

Warning! Explosion and fire hazard! Never vacuum flammable fluids or gas, oil, alcohol, solvents, etc. Do not operate near flammable fluids or gas. Never vacuum warm fluids or materials at more than 140 deg. F (60 deg. C), such as burning cigarettes, ashes, glowing coals, etc.  
 Warning! Do not vacuum hazardous / carcinogenic dust unless a HEPA filter is installed.  
 Always keep filter cartridge clean so the vacuum operates properly.  
 Empty Dust Deputy waste can frequently. Never leave flammable material in your Dust Deputy or shop vacuum.

## Returned Goods Policy

Buyer must inform O.A.S. of any shortage or damage, by so noting in writing, on the freight delivery bill prior to signing to indicate receipt of shipment. All claims, including claims covered under the limited warranty, are subject to inspection and investigation by O.A.S. O.A.S. reserves the right to inspect, investigate all returned products before Buyer's claim is settled. All products returned for a cash refund must be unused, resaleable and purchased within 30 days. There are no refunds on flex hose, custom made components or partial kit items. Kits must be returned in full (all components) for credit. **There will be a 25% restocking fee applied to any returned items. Buyer must call and get an RMA (Return Authorization Number). Merchandise must be shipped to us prepaid.**

## Limited Warranty

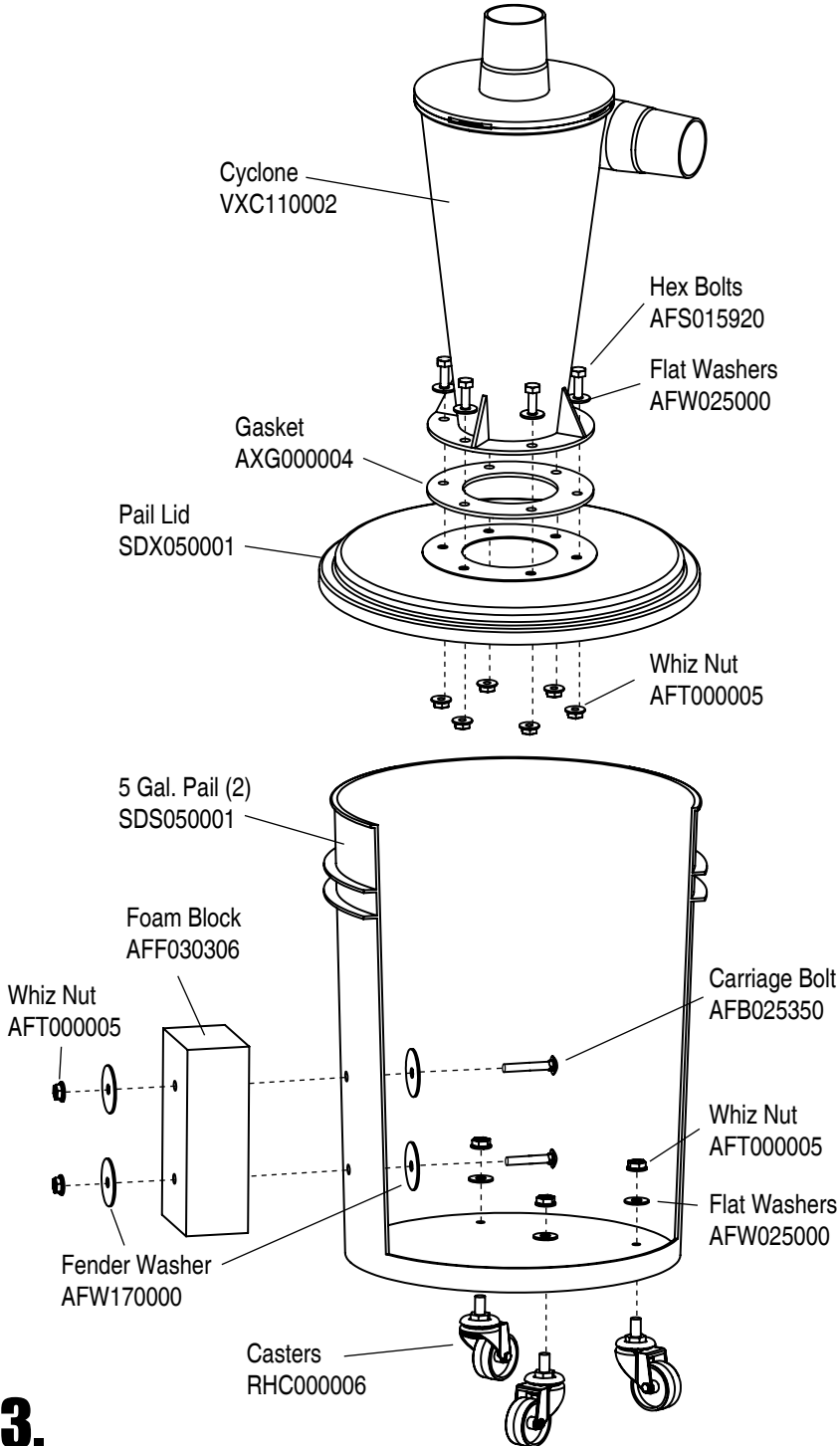
Oneida Air Systems™ warrants the products manufactured by Oneida Air Systems, for a period of 90 days or more depending on the product, to the original purchaser from the date of purchase unless otherwise specified. Purchaser is responsible for returning warranty items to OAS at their expense. All parts must be returned with an OAS provided Returned Material Authorization Number (RMA#). Any shipment without an RMA will be refused. Items not manufactured by Oneida Air Systems are limited to their own manufacturer's warranties. All electrical items such as magnetic starters, remotes, sensors, pumps and accessories are limited to 90 days. Oneida Air Systems warrants that the product will be free from defects in materials and workmanship. This warranty does not apply to defects due directly or indirectly to misuse, negligence, accidents, abuse, repairs, alterations, improper wiring or lack of maintenance. This is Oneida Air Systems sole written warranty and any and all warranties that may be implied by law, including any merchantability or fitness, for any particular purpose, are hereby limited to the duration of this written warranty. Oneida Air Systems does not warrant or represent that the merchandise complies with the provisions of any law or acts unless the manufacturer so warrants. In no event shall Oneida Air Systems' liability under this warranty exceed the purchase price paid for the product and any legal actions brought against Oneida Air Systems shall be tried in the State of New York, County of Onondaga.

**ONEIDA AIR SYSTEMS SHALL IN NO EVENT BE LIABLE FOR DEATH, INJURIES TO PERSONS OR PROPERTY OR FOR INCIDENTAL, AND CONTINGENT, SPECIAL, OR CONSEQUENTIAL DAMAGES ARISING FROM THE USE OF OUR PRODUCT.**

Before Purchasing or Installing a dust collection system the buyer is cautioned to do so in accordance with prescribed Federal, State, Local, OSHA, NFPA, and any other applicable codes or regulations relating to the type of dust(s) you are collecting.

**SOME TYPES OF DUST UNDER CERTAIN CONDITIONS HAVE THE POTENTIAL TO BE EXPLOSIVE.**

Oneida Air Systems is not responsible for how the dust collector is used or installed. Dusts with deflagration or explosion risks, such as wood dust, may require additional safety equipment including but not limited to; venting, spark detection, suppression systems, back draft dampers or may require installation in an outside location or in a protected area away from personnel. The customer assumes the responsibility for contacting their insurance underwriter with regard to specific engineering controls or application requirements. (We suggest you reference NFPA 664, 654 and 68 codes for more information) Oneida Air Dust Collection Systems may not be suitable for some applications and are not designed to be used in explosive atmospheres. **Oneida Air Systems equipment should only be installed and wired by a licensed electrician following all applicable local and national electrical codes.**



## Troubleshooting

- ▶ Dust Deputy® not separating well. (Only a tiny amount of dust should reach the vacuum.)  
**Air leak. Check cyclone flange / drum lid / barrel. Even small leaks will affect performance.**
- ▶ Low air volume.  
**Vacuum filter clogged. Blockage in hose.**
- ▶ Material swirls in cyclone and won't drop down into drum.  
**Air leak in bottom of cyclone / drum lid or dust drum.**  
**Large, bulkier material might swirl. Restart or temporarily cut off air flow to drop material down.**
- ▶ Hose connections not tight.  
**Due to the varied hose diameters, flexible couplers can be used. They are available at local hardware stores in the plumbing section.**



## To Prevent Hose Pull Off

**The inlet and outlet of the Dust Deputy® are shouldered and tapered to adapt to a range of vac hose sizes. If on your model the friction fit isn't as tight as needed you can do the following:**

- ▶ Use a hose clamp.
- ▶ Wrap the inlet and outlet of the Dust Deputy with a layer of electrical tape to increase the friction fit.
- ▶ Secure with a sheet metal screw.

## Accessories



Hollow handle scraper attaches by hose to vacuum source and sucks debris through handle to container. Eliminates mess from scraping that usually falls to floor.



Drum Dolly increases Deputy's mobility and stability. Can be used with either the 10 Gal. metal or 5 Gal. plastic drum.

### UltraClean Scraper™

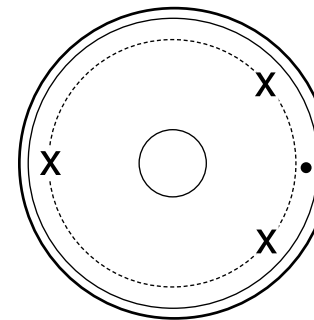
Part #	Description
AXS000000	UltraClean Scraper™
AXS000001	Extra Tungston Carbide Blade Set

### Drum Dolly

Part #	Description
SDD000002	Drum Dolly

## Assembly Instructions for Deluxe Dust Deputy® Kit

### Example 1



This is just one example of attaching the Deluxe Dust Deputy® to a shop vacuum. Most shop vacuums will use similar steps but you may have to modify slightly for your particular vacuum.

- 1.) Position drum so that lead caster hole is drilled in bottom of bucket on caution side as shown in Fig. 1. This is so safety instructions are not covered up by foam block and are easily read. **Holes must be at least 1" from bucket bottom rim so caster can freely swivel (Fig. 2) when unit is wheeled around.** Use a 5/16" drill bit for holes. Drill the holes in a triangular pattern as shown in diagram left and Fig. 3. (You'll want to drill an extra hole in the bottom to make it easier to pull out second bucket for emptying.)



Fig. 1

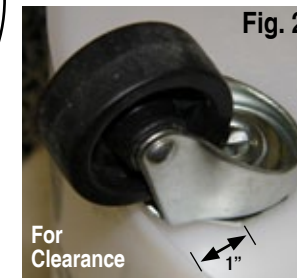


Fig. 2

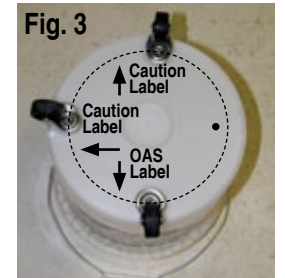


Fig. 3

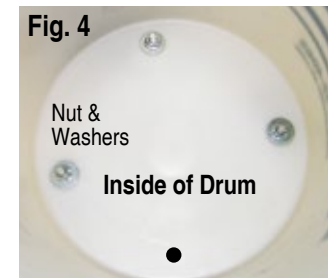


Fig. 4

- 2.) Put casters through bottom of bucket and fasten with the provided washers and 1/2" hex head nuts as shown in Fig. 4.

- 3.) Wheel the bucket up to your shop vacuum and see where the best placement for foam block will be on your vac. Use the Foam Block template on page 14 to mark where block will attach on your vacuum and bucket as shown in Fig. 5. **You should attach bucket to the side of vacuum opposite the vac inlet. See Example 1 above.**

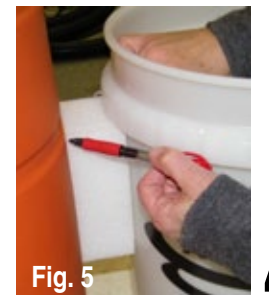


Fig. 5

## Assembly Instructions (Cont.)

4.) Position foam block on marks and drill two holes (upper and lower) through foam block and bucket (Fig.6). Put the two supplied carriage bolts through the large washers and then through the bucket from the inside.



5.) Mark on shop vacuum where bolts will go through (Fig. 7).



6.) Carefully drill through wall of vacuum (Fig. 8). If you ever want to remove the Dust Deputy from your shop vacuum, you can easily seal the holes in your vac with a bolt, washer, nut and silicone if you desire.



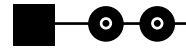
7.) Put bolts through the holes in vacuum and fasten inside of shop vacuum body with another washer and bolt as shown in Fig. 9.



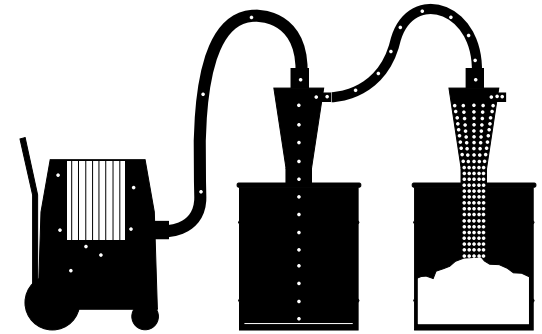
5.

## Adding Cyclones to Improve Performance

### Top View



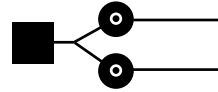
This arrangement may be useful for very fine dust situations.



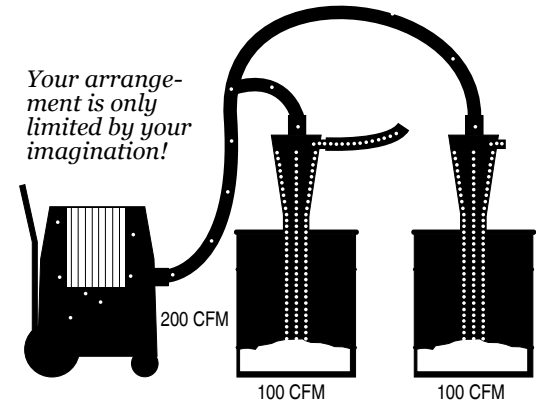
### Attach in Series

Increases particle efficiency.

### Top View



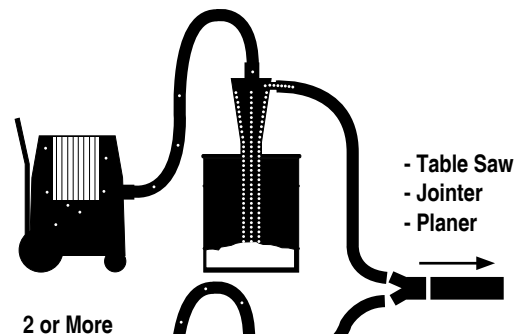
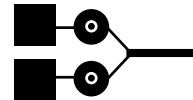
*Your arrangement is only limited by your imagination!*



### Attach in Parallel

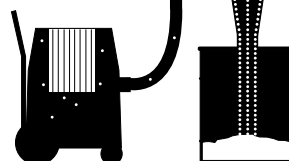
Same particle efficiency but increases CFM.

### Top View



### Multiple Vacuums

More Airflow to Big Tools.  
More CFM.



10.

## Other Options for Securing Dust Deputy® to Vacuum



Strap to Vacuum



Bolt to Attached Platform - This works best with large wet / dry vacuum.



Velcro to Dolly



Courtesy of John Miller / www.workshopaddict.com

Home-Built Carts



Bolt Bucket to Dolly



## Assembly Instructions (Cont.)

The Dust Deputy® is made of static dissipating plastic.



1.) Place supplied gasket on plastic drum top, lining up holes in gasket with holes in lid.



3.) Snap lid tightly on drum and you're ready to go.



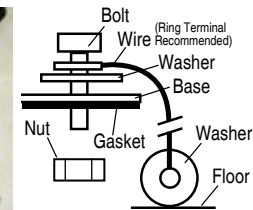
2.) Install metal tape then place bolt through washer then put bolt through hole in base of cyclone. Secure with nut underneath. Tighten evenly. Do not over tighten bolts.



For additional static reduction, install metal tape as shown.

Cover bolt hole and use the bolt for the grounding wire anchor.

*This hardware not provided.*



For added grounding, attach wire to bolt between bolt head and washer, then attach another washer to end of wire. Wire must be long enough for washer to lie flat on floor.



4.) Attach provided hose from shop vacuum to top outlet on cyclone (A). Use shop vacuum hose to attach to tools. (B).

Use included elbow on the shop vacuum inlet or on the outlet of the cyclone.

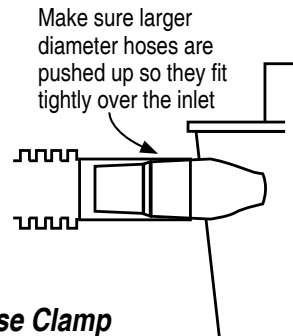


6.

9.

## Assembly Instructions (Cont.)

If hoses are not tight on the inlet, or keep pulling off, use the included Hose Retention Ring or the included clamp or both as shown below.



**Hose Retention Ring**



**Hose Clamp**



## Possible Ways to Attach Dust Deputy® to Shop Vacuums



You may want to attach your Dust Deputy to your shop vacuum for mobility, convenience or stability. There is no definitive way to attach the Dust Deputy to a shop vacuum. It will vary with vacuum type and intended use. These are just a few examples of possible ways it may be done.

Cut the provided foam block in half. Drill two 1/4" holes through bucket, blocks and vacuum as shown, then using provided long bolts, washers and nuts, attach bucket to vac.



Use the foam blocks as spacers between the vac and bucket then put the assembled Dust Deputy into the attached bucket to hold it securely to the vacuum. Attach the appropriate hoses and you're ready to go.

**Note: For better mobility and stability use the included 3 casters as shown in the assembly instructions.**



**Some vacuums may only require one foam block to attach the bucket. This may be determined by vacuum body shape.**

Cut the provided foam block to size. Drill two 1/4" holes through bucket, blocks and vacuum as shown, then using provided long bolts, washers and nuts, attach bucket to vac.

Use the foam block as upper spacer between the vac and bucket then put the assembled Dust Deputy into the attached bucket to hold it securely to the vacuum. Attach the appropriate hoses and you're ready to go.

The mounting is only limited by your imagination.

**To prevent tipping, install provided casters.**

