

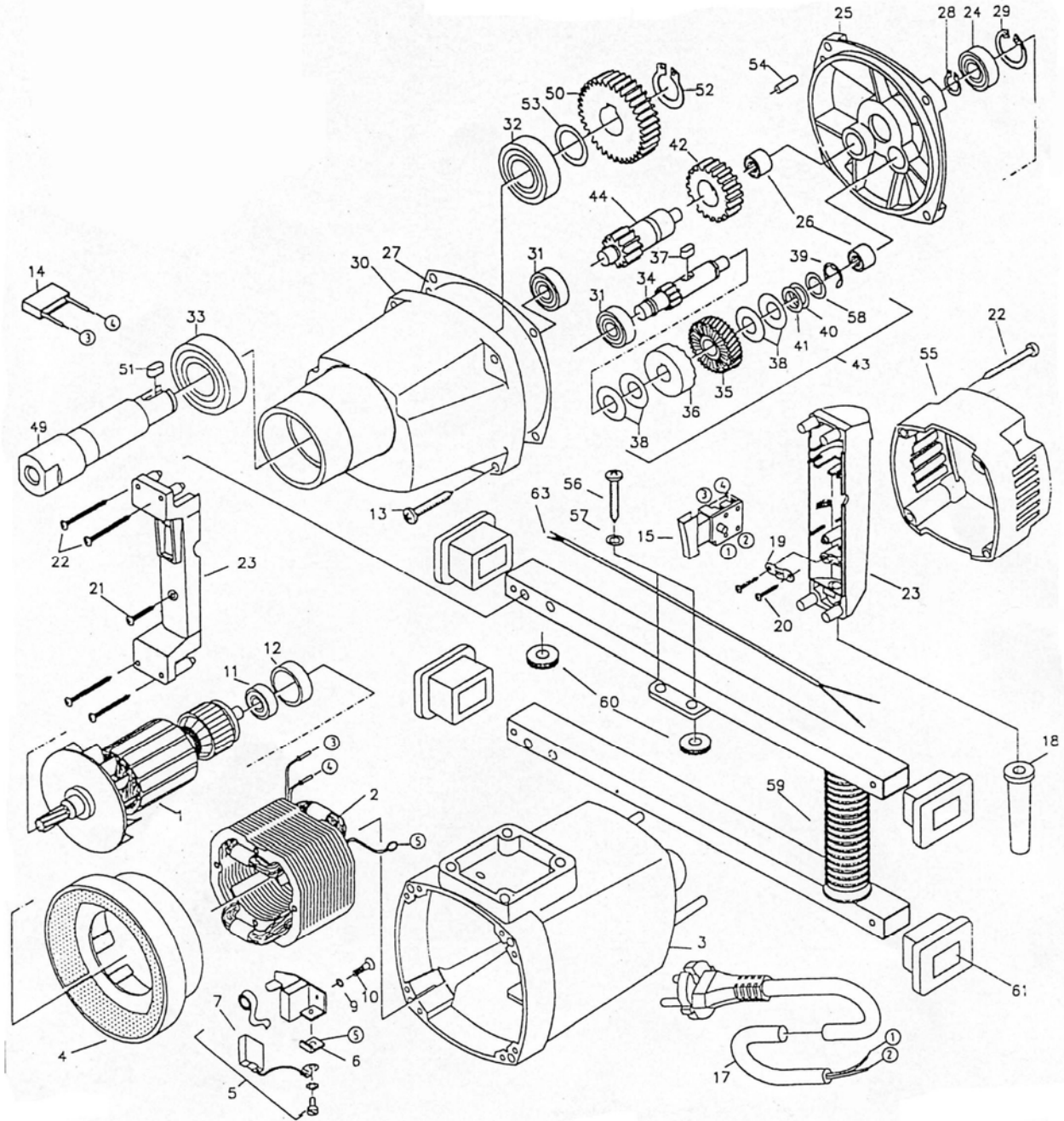
CS UNITEC, INC.

22 Harbor Avenue
Norwalk, CT 06850

Website: www.csunitec.com

Email: info@csunitec.com

Model EHR 23/1.3 R MIXER



Not responsible for typographical errors.

<u>POS. NO.</u>	<u>ITEM NO.</u>	<u>DESCRIPTION</u>	
1	7741F100	Rotor Complete	
2	7142E150	Stator Complete	
3	80900042	Motor Housing	
4	71540140	Air Guiding Ring	
5	80201199	Carbon Brush Holder	
7	80700040	Carbon Brush	Replaces 8070019, 80700021
8	80701002	Magnet Ring	Replaces 80701004
9	80201385	Spring Disk 34	
10	80201180	Screw CM4x12	
11	80410021	Ball Bearing	See 100 579
12	83000031	Bearing Seal	
13	80201292	Screw 4.2x16	
14	80500010	Condensor	
15	80600143	Switch	
16	73320999	Disk	
17	80600085	Cord	
18	83000004	Cable Sleeve	
19	85000020	Clip	
20	80201270	Screw	
21	80201280	Screw	
22	80201267	Screw	Replaces 050.0112
23	80900099	Pair of Handle Halves	
24	80410031	Bearing	Replaces 032.0171
25	7742A610	End Shield of Gear	
26	80420110	Needle Sleeve	Replaces 050.0161(9 1014 00
27	82000057	Seal	Replaces 7 1113 4190
28	80201320	Safety Ring	Replaces 050.0176
29	80201333	Safety Ring 28/1.2	Replaces 050.0166
30	77410400	Gearbox Housing	
31	80410020	Bearing	
32	80410051	Ball Bearing	see #52412-011
33	80410151	Bearing	
34	77410490	Intermediate Shaft 1	
35	7742P550	Intermediate Wheel 1	
42	71410470	Intermediate Wheel	
44	71410500	Intermediate Wheel	
45	80900123	Grease Compartment Barrier	
46	80901004	Holder for Potentiometer	
47	80901003	Adjusting Wheel	
48	80500020	Speed Dial	
49	77420420	Spindle	
50	71410430	Gear	
51	80200604	Key	
52	80201324	Safety Ring 20x1.2	
53	80200509	Fitting Washer 20x0.1	

CS Unitec, Inc.

22 Harbor Ave, Norwalk, CT 06850

Telephone: 203-853-9522 Toll Free: 800-700-5919 Fax: 203-853-9921

WebSite: www.csunitec.com E-Mail: info@csunitec.com

Not responsible for typographical errors.

<u>POS. NO.</u>	<u>ITEM NO.</u>	<u>DESCRIPTION</u>
54	80200580	Notched Pin 5x16
55	80900189	Cap
56	80201278	Screw 5.5x19
57	80201303	Spring Ring
59	80200049	Bow Handle
60	83000051	Cable Grommet
61	83000052	Rubber Bumper
62	7731B187	Controller Litz Wire
63	7732A186	Wire
64	7741B280	Circuit Board for EHR 23/1.3 R
65	80201260	Self Tapping Screw

CS Unitec, Inc.

22 Harbor Ave, Norwalk, CT 06850

Telephone: 203-853-9522 Toll Free: 800-700-5919 Fax: 203-853-9921

WebSite: www.csunitec.com E-Mail: info@csunitec.com