

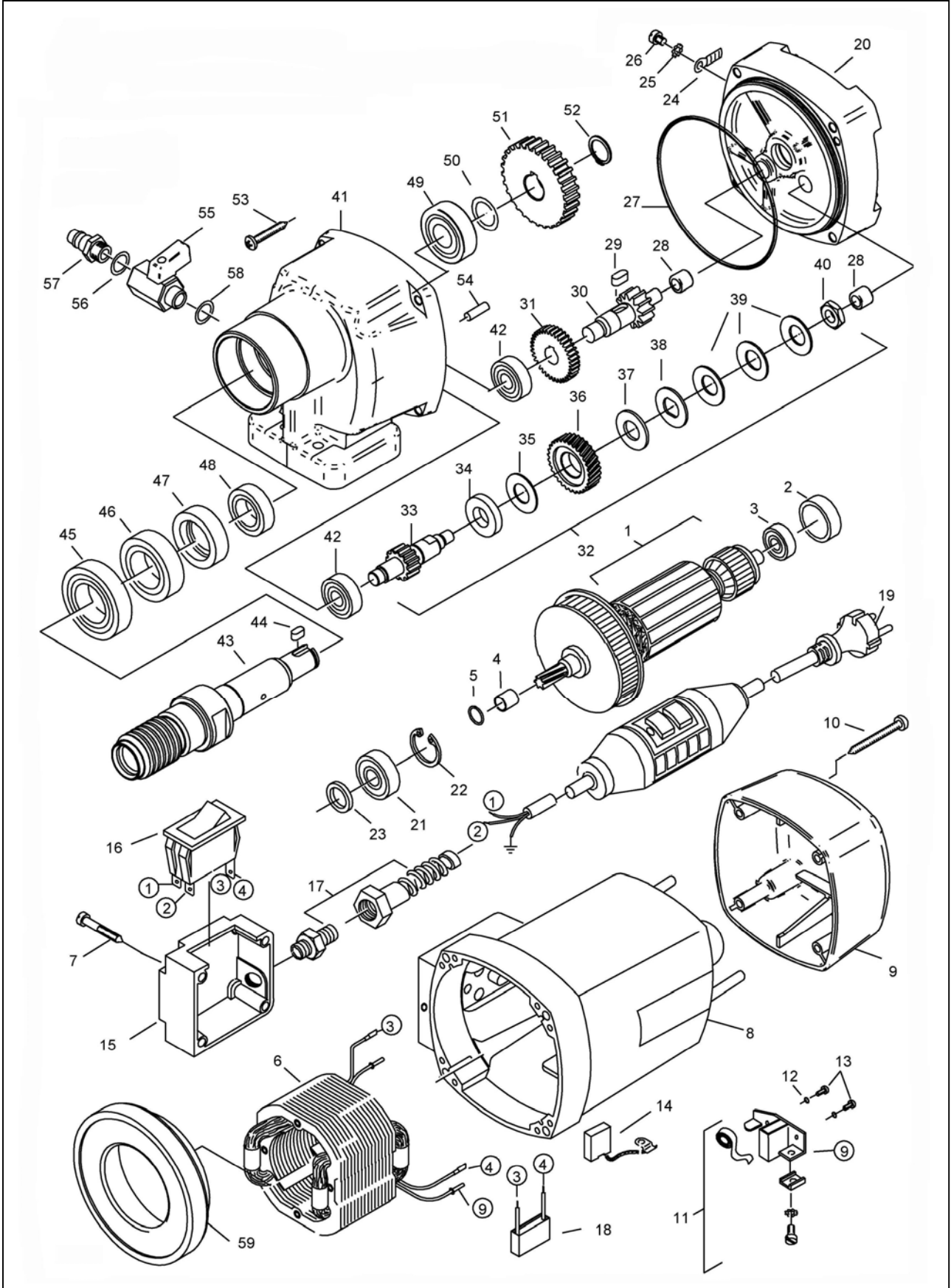
CS UNITEC, INC.

22 Harbor Avenue
Norwalk, CT 06850

Website: www.csunitec.com

Email: info@csunitec.com

Model DBE 160 Core Drill Rig with Stand



Not responsible for typographical errors.

POS. NO.	ITEM NO.	DESCRIPTION	
1	73631100	Rotor Complete	
2	73320315	Bearing Seal	
3	80410021	Ball Bearing	See 100 579
4	80420160	Bearing Ring	
5	80200748	C-Clip	
6	73511150	Field, 110 Volt	
7	80201292	Screw 4.2x16	
8	73511200	Motor Housing	
9	80900189	Cap	
10	80201267	Screw	Replaces 050.0112
11	80201199	Carbon Brush Holder	
12	80201385	Spring Disk 34	
13	80201180	Screw CM4x12	
14	80700040	Carbon Brush	Replaces 8070019
15	73511630	Switch Box	
16	80600157	Switch, ETA	
17	80600174	Cable Fitting	
18	80500010	Condensor-SEE #80500014	
19	73533262	Connecting Lead, 110 Volt for	EBM 250/2P
20	7B334610	Transmission Bearing Plate	
21	107 832	Bearing	Replaces 80410101
22	80201351	Locking Ring	
23	83000042	Shaft Seal	
24	80601189	Protective Grounding	Connection
25	80200752	Washer	
26	80201200	Screw	
27	83000092	O-Ring	
28	80420110	Needle Sleeve	Replaces 050.0161
29	80200600	Fitting Key	
30	73311500	Intermediate Shaft 2	
31	73311470	Idler Gear	
32	7B334493	Clutch Complete	
33	7B334490	Intermediate Shaft 1	
34	7B334499	Thrust Washer	
35	73331499	Clutch Washer	
36	7B334550	Clutch Wheel	
37	7332L499	Disk	

Not responsible for typographical errors.

POS. NO.	ITEM NO.	DESCRIPTION	
38	73331496	Driving Washer	
39	80200716	Spring Washer	
40	80201007	Nut, Hexagon 8m10 x 1	
41	7B334400	Transmission Case	
42	80410020	Bearing	
43	73430420	Spindle	
44	73430496	Parallel Key, Hardened	
45	80410151	Bearing	
46	83000072	Rotary Shaft Seal	
47	83000076	Shaft Seal	
48	83000162	Rotary Shaft Seal	
49	80410130	Bearing	Replaces 050.0221
50	80200507	Fitting Washer	
51	73311430	Spindle Wheel	
52	80201323	Snap Ring	
53	80201432	Tapping Screw	
54	80200580	Notched Pin 5x16	
55	83000143	Ball Valve, Mini	
56	251 648	Valve Ring-#52662&65205	#9 2126 0140 & 9 2126 0120
57	256 573	Water Valve	Replac3es 83000124
58	83000037	O-Ring	
59	73511141	Air Guiding Ring	
202	796UN740	Handle Base	
203	796UN746	Arm	
204	85000193	Knob	
205	85000157	Spring	
206	80200627	Pin	
209	796UN792	Carriage	
210	796UN763	Bushing	
211	796UN765	Bushing Cap	
212	85000158	Knob	
213	796UN779	Clamping Piece	
214	80201121	Screw	
215	796UN770	Bushing	
216	80200758	Set Screw	
217	796UN730	Pinion	
218	80201147	SCREW	

Not responsible for typographical errors.

<u>POS. NO.</u>	<u>ITEM NO.</u>	<u>DESCRIPTION</u>
219	80201309	Lock Washer
221	796UN886	Base
222	80201118	Hexagon Screw
223	80201014	Nut
224	80201381	Washer
227	79620753	Column
228	796UN816	Handle for Drill Stand
229	80201148	Screw
230	80201156	SCREW, CYLINDER
231	80201114	Screw