



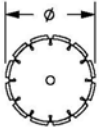

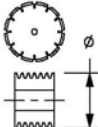
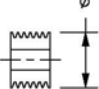
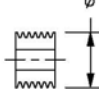
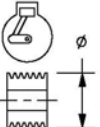

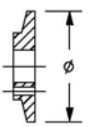
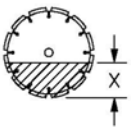
CONCRETE SAW
PARTS LIST

MODEL
CC3538JK
(EFI)

May 2020

Part # 1803112

CC3500J RPM CHART

BLADE SIZE	BLADE RPM	BLADESHAFT SHEAVE	JACKSHAFT SHEAVE INPUT	JACKSHAFT SHEAVE OUTPUT	ENGINE SHEAVE	ENGINE RPM	FLANGE SIZE	MAX CUT DEPTH
14"	3,000	3.65"	5.00"	6.00"	3.65"	3,600	5"	4-3/8"
20"	2,500	3.65"	5.60"	8.00"	3.65"	3,600	5"	7-3/8"
26"	1,900	4.12"	4.75"	8.00"	3.65"	3,600	5"	10-3/8"
30"	1,650	4.12"	4.12"	8.00"	3.65"	3,600	5"	12-3/8"
								



WARNING



**The engine exhaust from this product
Contains chemicals known to the
State of California to cause cancer,
Birth defects or other reproductive harm.**



Proposition 65
State of California
Warning !

Engine exhaust and some its constituents are known to the
State of California to cause cancer, birth defects, and/or other
reproductive harm.

Notification of Spark Arrester Requirement for
State of California

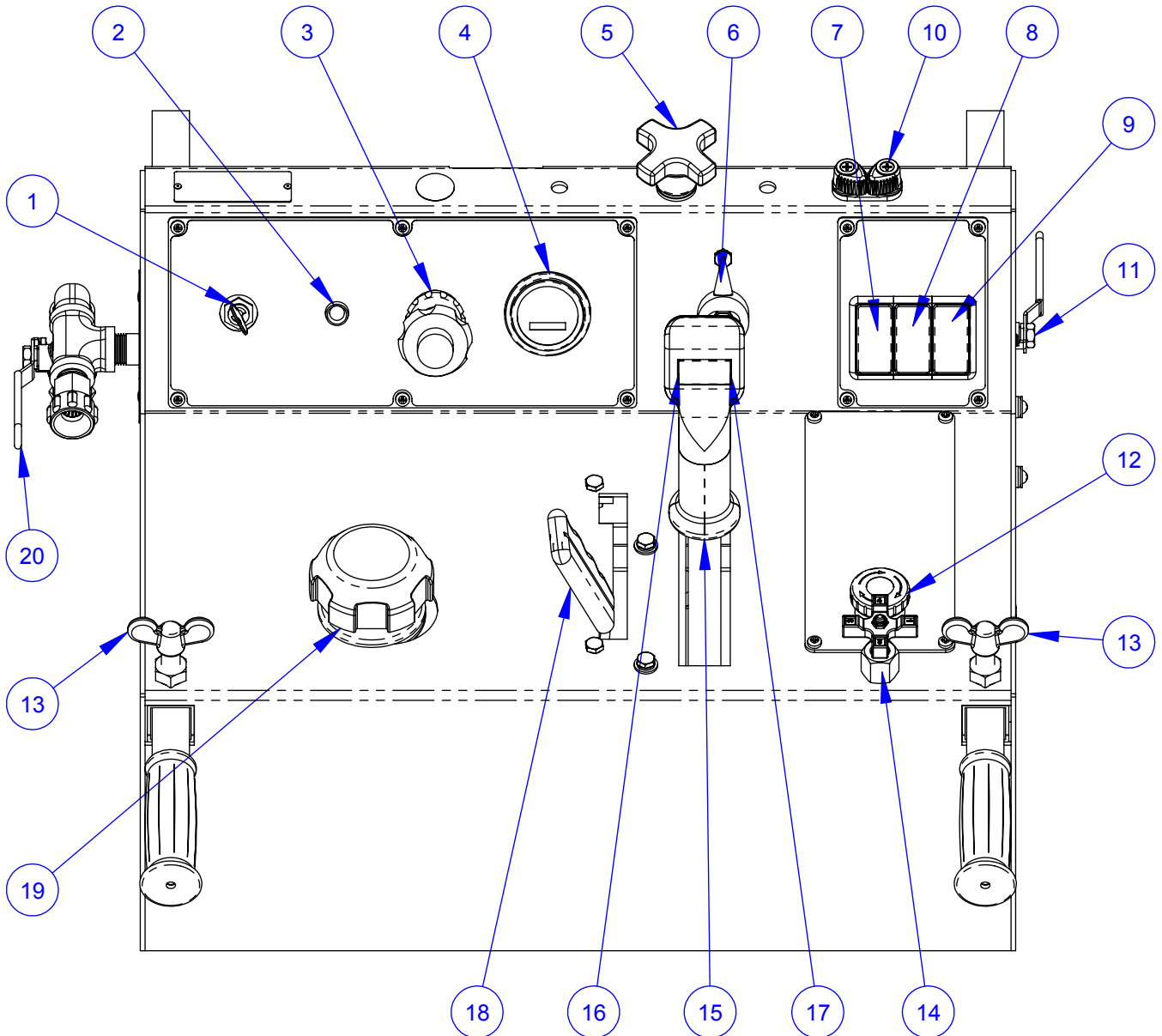
It is a violation of Section 4442 or 4443 to use or operate the
engine on any forest-covered, brush-covered, or grass-covered land
unless the engine is equipped with a spark arrester, as defined in
Section 4442, maintained in effective working order or the engine
is constructed, equipped, and maintained for the prevention of fire
pursuant to Section 4443.

Table of Contents

Controls Legend.....	4	Throttle Assembly (Kohler).....	35
Quick Reference Service Filters / Belts.....	5	Belt Drive Assembly.....	36-39
Frame Upright Assembly.....	6-7	Frame Lift Assembly.....	40-41
Instrument Panel Assembly.....	8	Belt Guard Assembly.....	43
Control Lever Assembly (Eaton).....	10-11	14" Blade Guard Assembly.....	44-45
Control Grip Assembly.....	12	20" Blade Guard Assembly.....	46-47
Water Supply Assembly.....	13	26" Blade Guard Assembly.....	48-49
Battery Assembly.....	14	30" Blade Guard Assembly.....	50-51
Hydraulic Pump Assembly.....	15	Blade Shaft Weight Assembly.....	52
Depth Indicator Assembly.....	16	Dual Front Pointer Assembly.....	53
Depth Stop Assembly.....	17	Optional Water Pump Assembly.....	54
Frame Base Assembly.....	18	Optional Water Safety Switch Assembly.....	55
Hydraulic Cylinder Assembly.....	19	Optional Spot Light Assembly.....	56
Rear Drive Assembly (Eaton).....	20-21	Optional Shaft Tachometer Assembly.....	57
Eaton Transmission Assembly.....	22	Optional Speed Metering Valve Assembly....	59
Linkage Assembly.....	23	Optional Parking Brake Assembly.....	60-61
Front Axle Assembly.....	24	Optional Blade Stacking Assembly.....	62-63
Rear Axle Assembly (Eaton / Gear).....	25	Optional Blade Spacing Assembly (Up to 2")	64-65
Blade Shaft Assembly.....	27	Optional Blade Spacing Assembly (Up to 4")	66-67
Fuel Tank Assembly.....	28-29	Wiring Diagram (Kohler).....	68
Engine Base Assembly.....	30-31	Decal Group.....	70-71
Kohler Engine Assembly.....	32-33	Warranty.....	72

Controls Legend

1	Ignition Switch	11	Water Valve
2	Check Engine Light	12	Emergency Stop Button
3	Vernier Throttle Control	13	Handle Lock Knobs
4	Hour Meter	14	Lowering Speed Meter Valve (Optional)
5	Cutting Depth Knob	15	Speed Control Lever
6	Depth Stop Indicator	16	Raise Pushbutton
7	Water Pressure Switch (Optional)	17	Lower Pushbutton
8	Water Pump (Optional)	18	Transmission Engagement Lever
9	Spot Light (Optional)	19	Fuel Cap
10	Pointer Rope Cleat	20	Water Valve

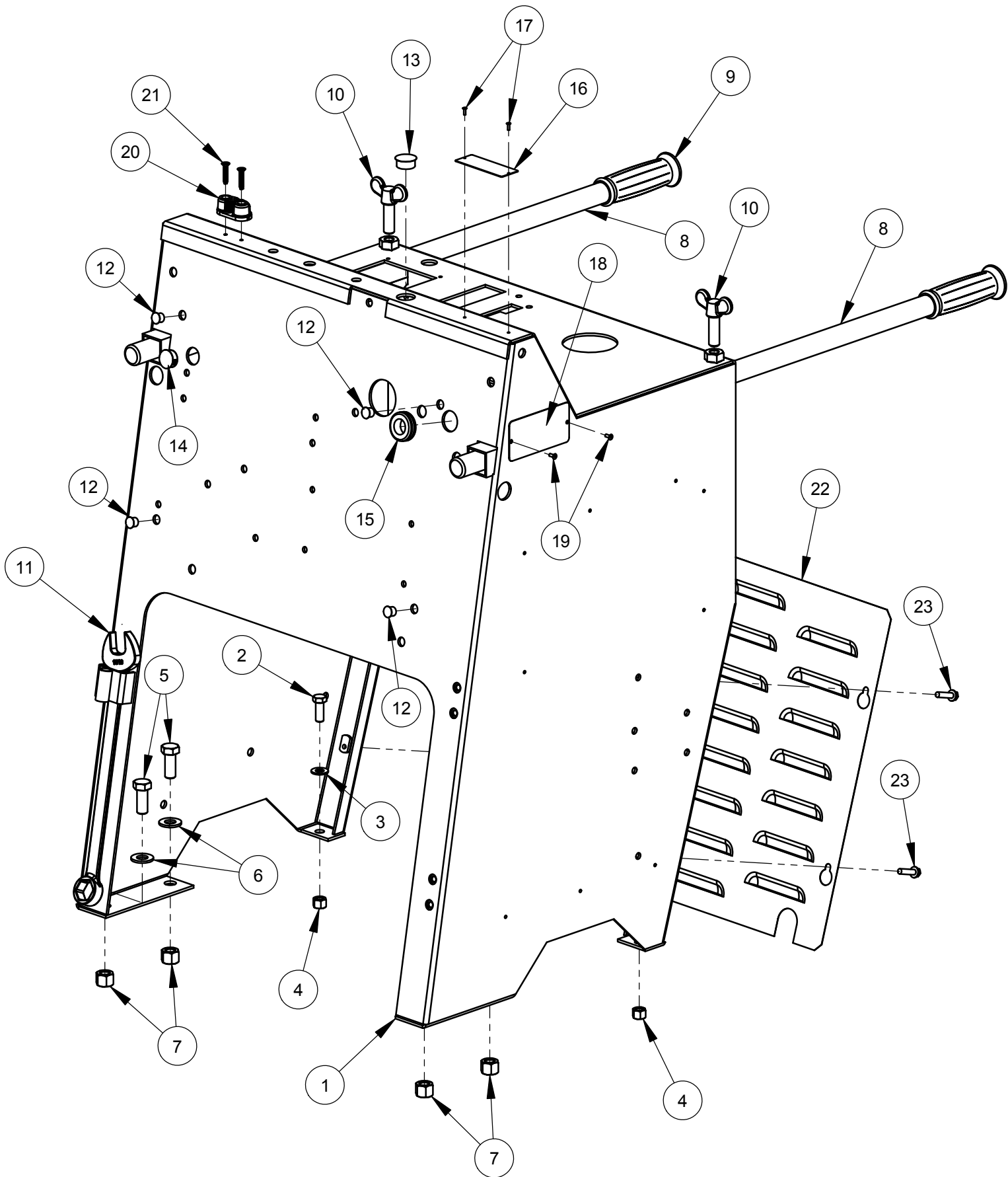


Quick Reference Service Filters / Belts

Kohler 38HP

DP Part No.	Description	Manufacturer's Part No.
2704136	Engine Oil Filter	(Kohler #5205002-S)
2702623	Spark Plug (2)	(Champion #XC10YC)
2500201	In-Line Fuel Tank Filter	(Fram #G1 or Wix #33001)
2704135	Outer Primary Air Filter	(Kohler #250801-S)
2704134	Inner Safety Air Filter	(Kohler #250804-S)
2500792	Blade Shaft & Jack Shaft Belt (12)	(Gates #3VX400)
2501872	Eaton Transmission Belt	(#4L600W)

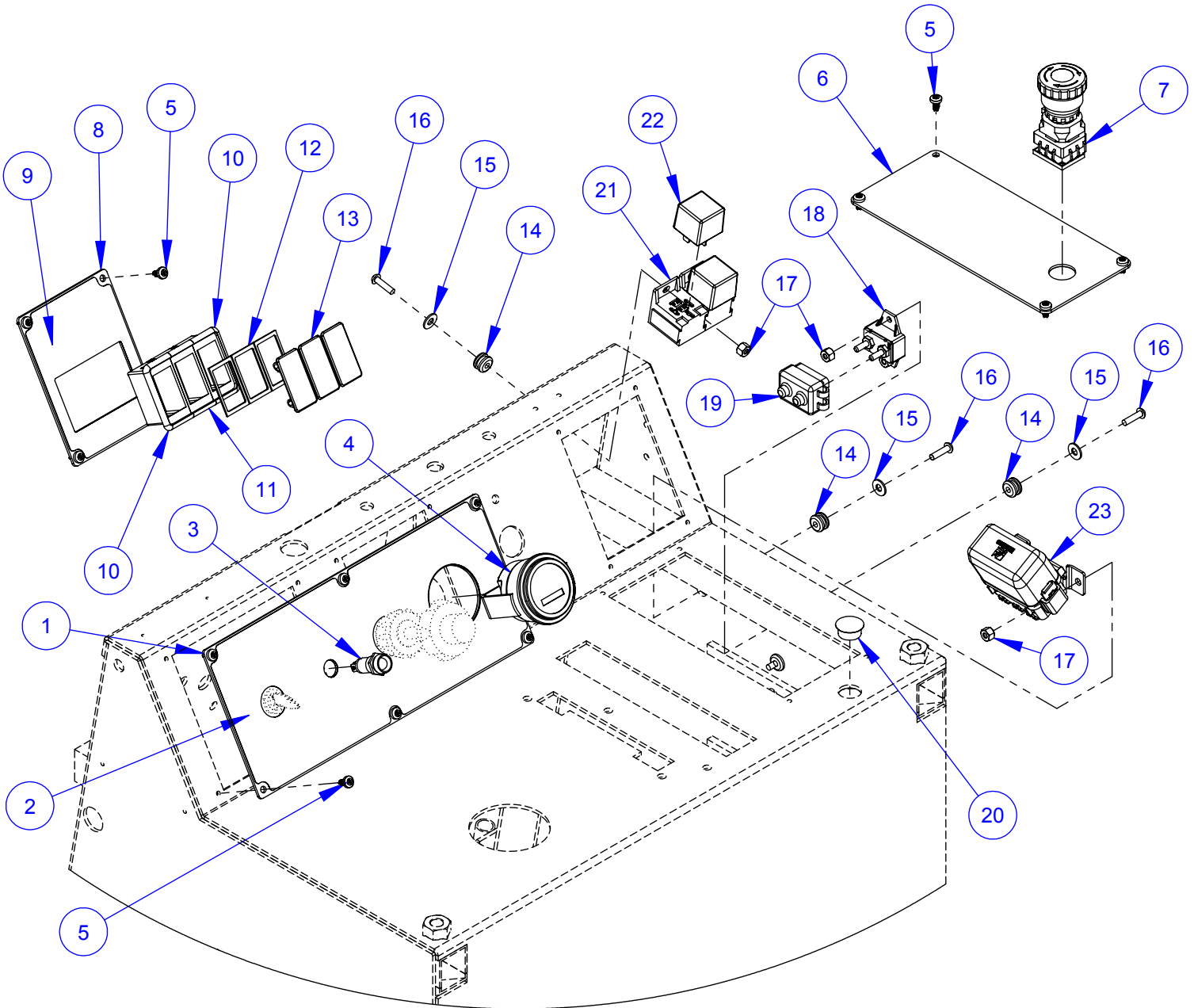
Frame Upright Assembly #6011415



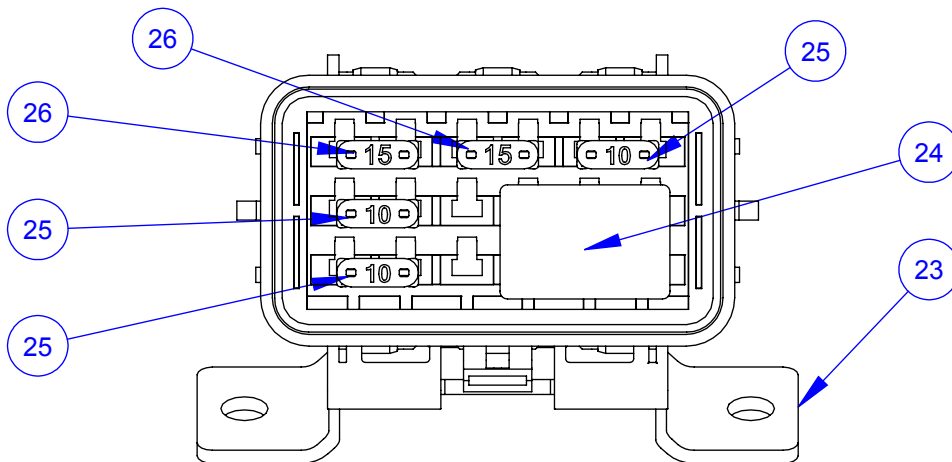
Frame Upright Assembly #6011415

ITEM	PART NO.	QTY.	DESCRIPTION
1	6011401	1	Frame Upright Weldment
2	2900005	2	Cap Screw, Hex Hd., 3/8-16 x 1"
3	2900014	2	Flat Washer, 3/8" SAE
4	2900018	2	Locknut, 3/8-16, Nylon
5	2900025	4	Cap Screw, Hex Hd., 1/2-13 x 1-1/4"
6	2900058	4	Flat Washer, 1/2" SAE
7	2900026	4	Lock Nut, 1/2-13 Nylon
8	6010014	2	Handle Bar, 36" Long
9	2500636	2	Handle Grip
10	2900430	2	Hand Lock Knob, 1/2-13 x 1-1/2"
11	2503704	1	Wrench, 15/16" Combination
12	2501287	4	Plug, 7/16" Hole
13	2500549	1	Plug, 7/8" Hole
14	2503746	1	Plug, 13/16" Hole
15	2500203	1	Grommet, 3/4" I.D.
16	1800169	1	Serial Number Plate, US
17	2900096	2	Rivet, 3/32" Dia.
18	1800377	1	Serial Number Plate, CE
19	2900287	2	Rivet, 1/8" Dia.
20	2501427	1	Rope Cleat
21	2900483	2	Tap Screw, Flat Hd., #10-24 x 1"
22	6011023	1	Rear Cover Screen
23	2900180	4	Cap Screw, Hex Flange Hd., 1/4-20 x 1"

Instrument Panel Assembly #6011809



Note - For Throttle Cable and Keyswitch,
see Engine and Throttle Assembly pages

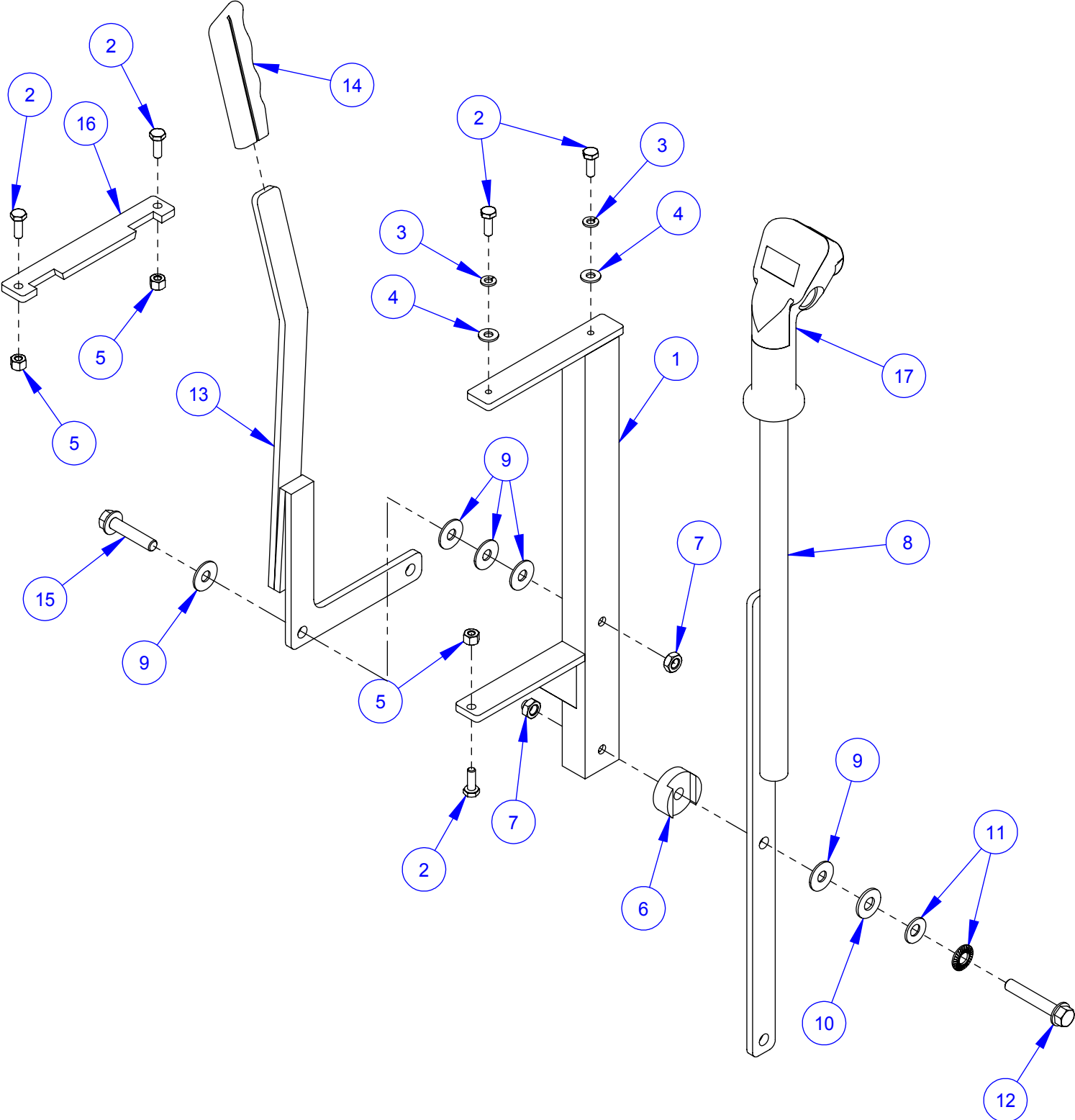


Instrument Panel Assembly #6011809

ITEM	PART NO.	QTY.	DESCRIPTION	
1	6011821	1	Gauge Panel	
2	1803095	1	Instrument Panel Decal	
3	2801047	1	Indicator Light (Amber)	
4	2800064	1	Hour Meter	
5	2900021	14	Tap Screw, Pan Hd., #10-24 x 3/8"	
6	6011024	1	Hydraulic Pump Cover Plate	
7	2801367	1	E-Stop Switch	
8	6011822	1	Switch Plate	
9	1803096	1	Instrument Panel Decal	
10	2800615	2	Rocker Mount End Panel	
11	2800616	1	Rocker Mount Middle Panel	
12	2800261	3	Rocker Panel Gasket	
13	2800262	3	Rocker Mount Panel Plug	
14	2506028	6	Grommet, 3/16" I.D.	
15	2900016	6	Flat Washer, #10 USS	
16	2900093	6	Machine Screw, Rd. Hd., #10-24 x 3/4"	
17	2900017	6	Lock Nut, #10-24 Nylon	
18	2800643	1	Circuit Breaker, 40 Amp	
19	2800364	1	Circuit Breaker Boot	
20	2500463	1	Plug, 3/4" Hole	
*	21	2800834	2	Mini Relay Connector
*	22	2801660	2	Relay, 40 Amp Mini
*	23	6019159	1	Fuse Block Assembly
*	24	2801641	1	Relay, 35 Amp Micro
*	25	2801439	3	Fuse, 10 Amp Mini (Red)
*	26	2801440	2	Fuse, 15 Amp Mini (Blue)

* Not included with assembly - shown for reference only. Included in wire harness #6007578

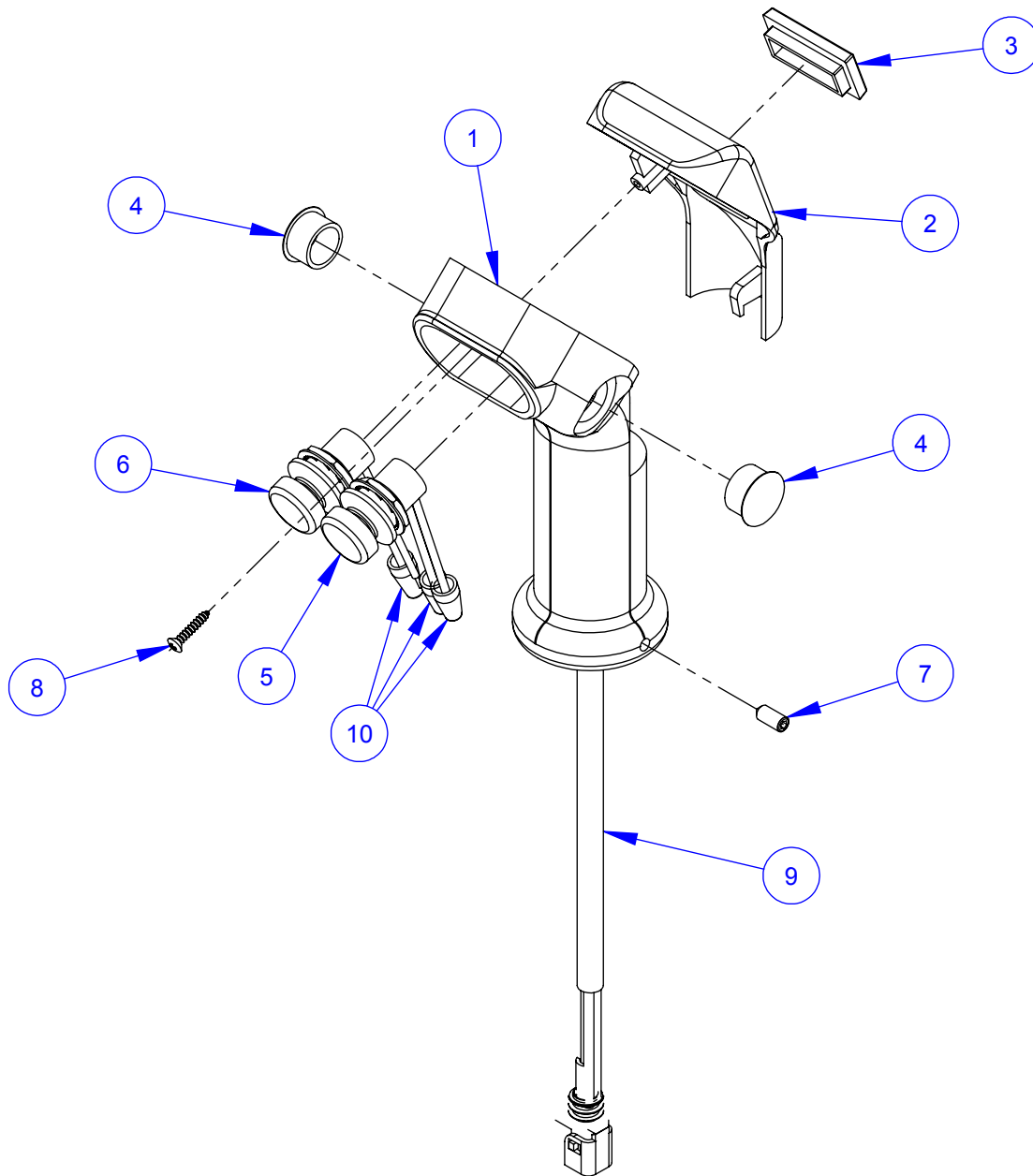
Control Lever Assembly #6011814



Control Lever Assembly #6011814

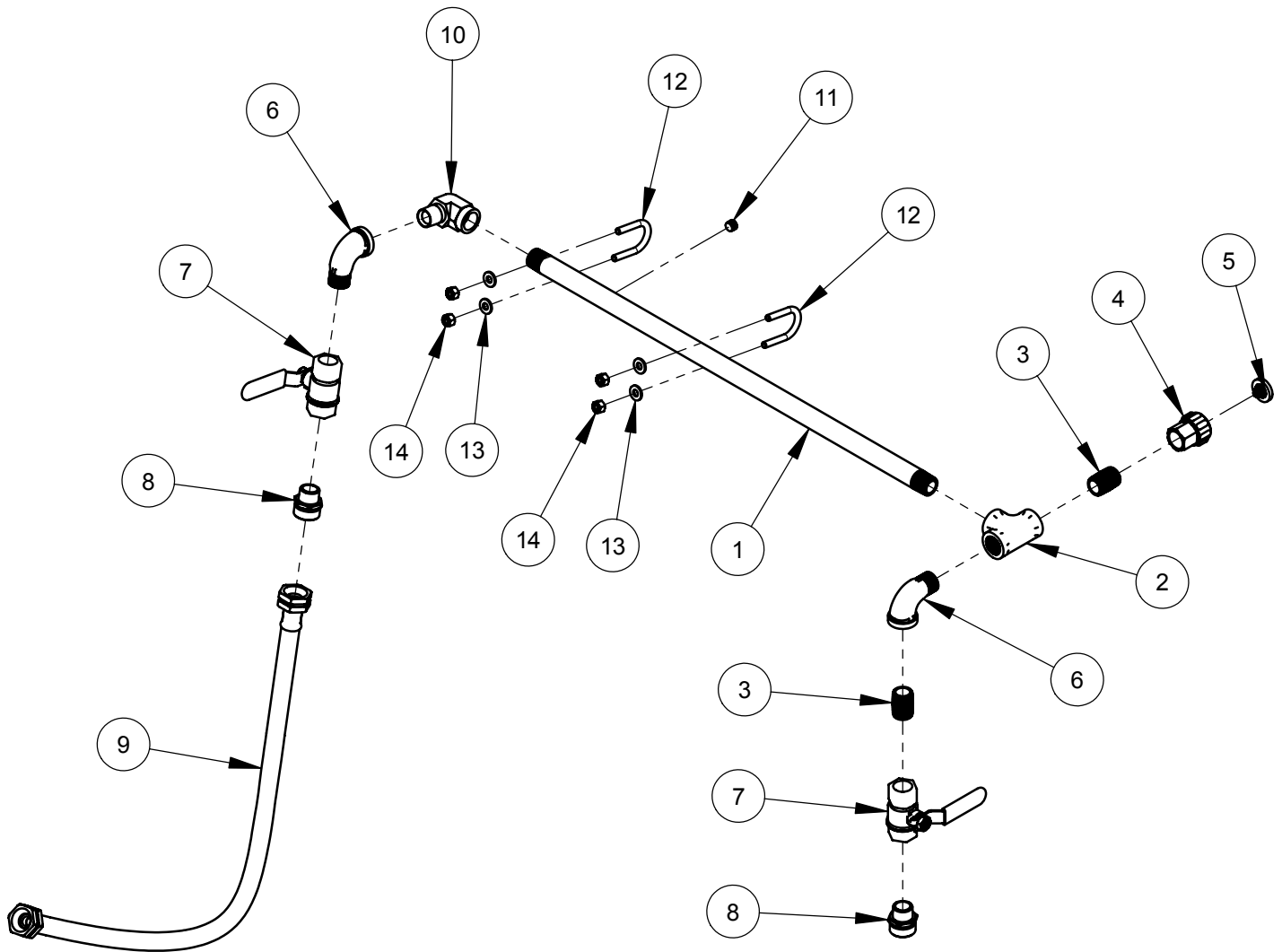
ITEM	PART NO.	QTY	DESCRIPTION
1	6011410	1	Lever Support Weldment
2	2900144	5	Cap Screw, Hex Hd., 1/4-20 x 3/4"
3	2900024	2	Lock Washer, 1/4" Split
4	2900009	2	Flat Washer, 1/4" SAE
5	2900010	3	Lock Nut, 1/4-20 Nylon
6	6010055	1	Friction Spacer
7	2900782	2	Jam Nut, 3/8-16
8	6011414	1	Speed Control Lever
9	2900153	5	Friction Washer, 3/8"
10	2900473	1	Flat Washer, 3/8" USS
11	2900474	2	Belleville Washer
12	2900781	1	Cap Screw, Hex Flange Hd., 3/8-16 x 2-1/4"
13	6010057	1	Engagement Lever Weldment
14	2500002	1	Lever Grip
15	2900780	1	Cap Screw, Hex Flange Hd., 3/8-16 x 1-3/4"
16	6010058	1	Gate Plate
17	6011813	1	Control Grip Assembly

Control Grip Assembly #6011813



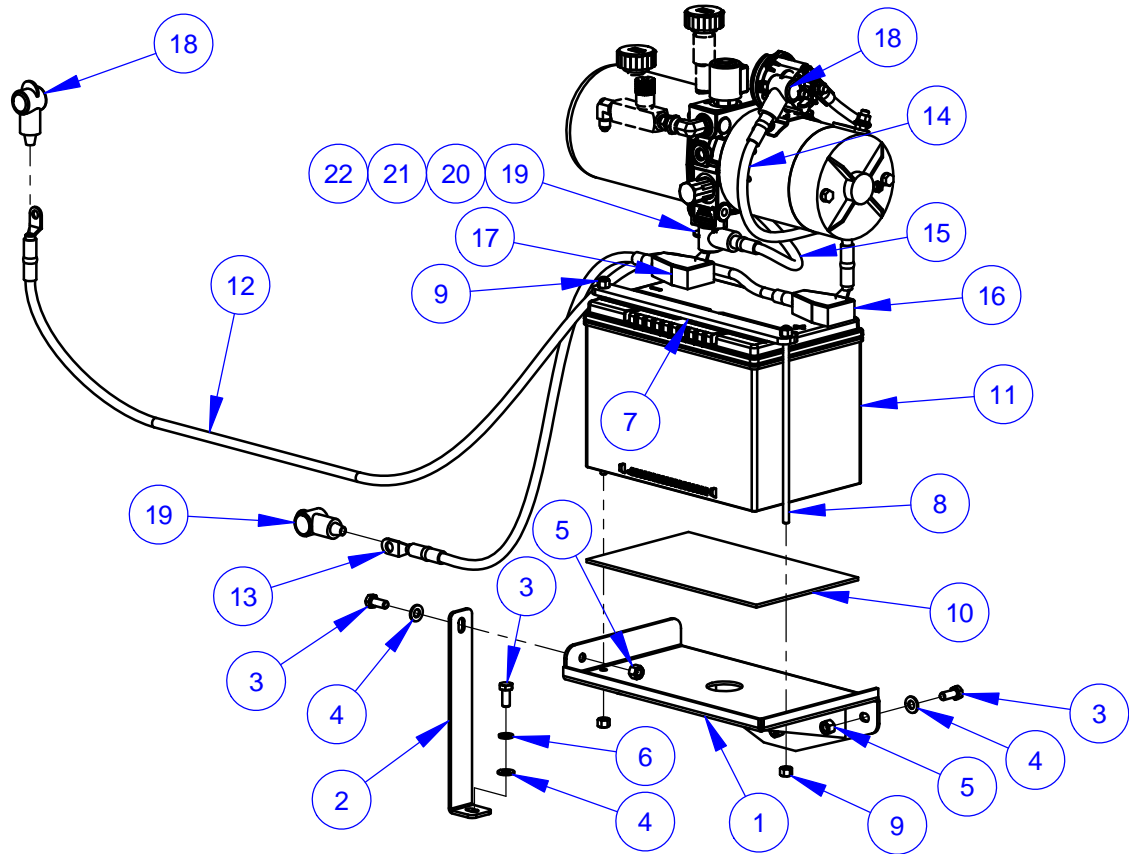
ITEM	PART NO.	QTY.	DESCRIPTION
1	2501280	1	Control Grip Body
2	2501281	1	Control Grip Cover
3	2500644	1	Plug, Rectangular
4	2500694	2	Plug, 5/8" Hole
5	2800372	1	Pushbutton Switch (B&G)
6	2800373	1	Pushbutton Switch (B&W)
7	2900453	1	Set Screw, Soc. Hd., M5-0.8 x 12mm
8	2900452	1	Machine Screw, Oval Hd., #4 x 5/8"
9	2802790	1	Wire Harness, Hyd. Pump, 3 Wire
10	2800002	3	Wire Nut (Grey)

Water Supply Assembly #6011419



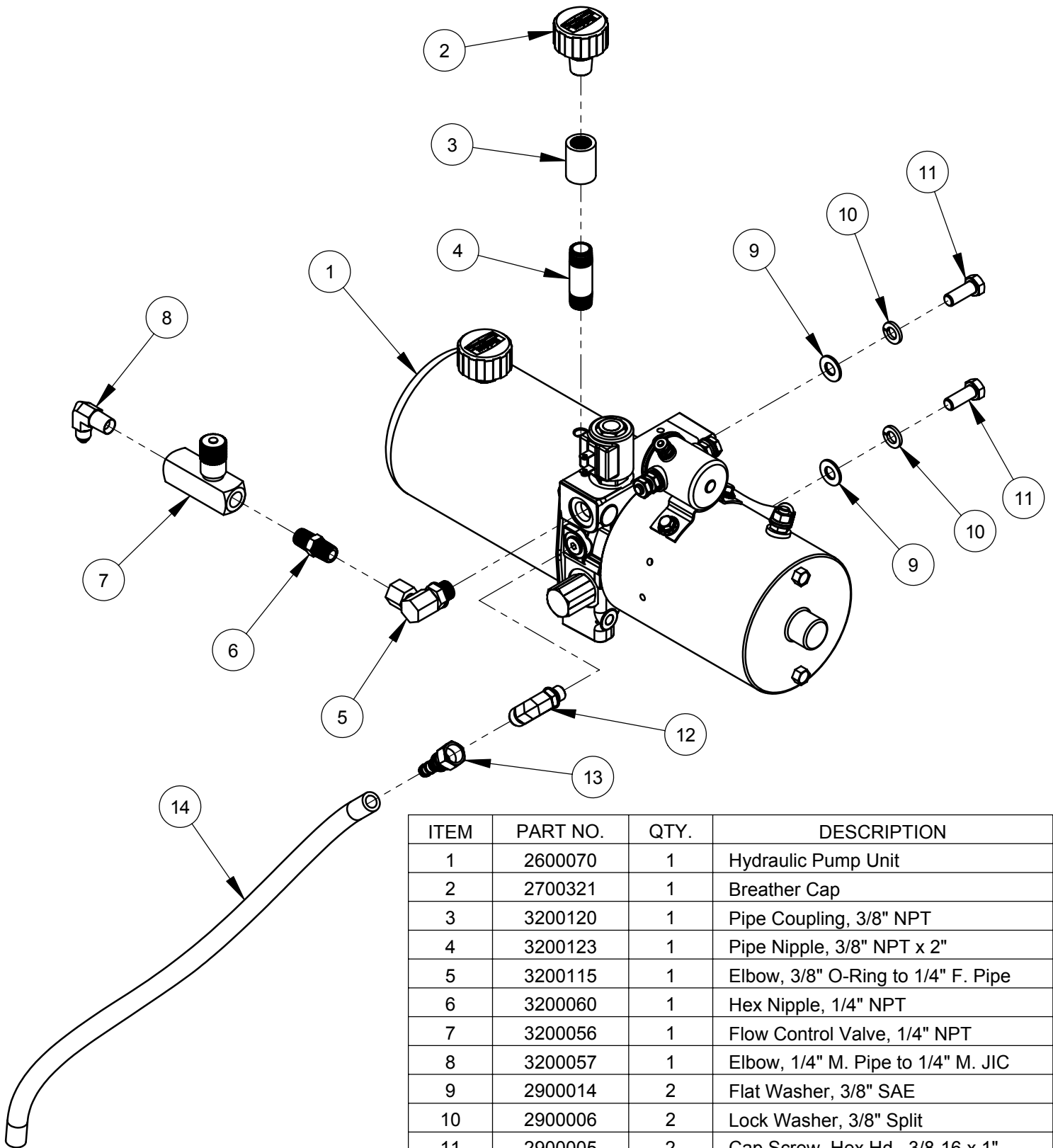
ITEM	PART NO.	QTY.	DESCRIPTION
1	6090067	1	Water Supply Tube
2	3200045	1	Pipe Tee, 1/2" NPT
3	3200008	2	Close Nipple, 1/2" NPT
4	3200022	1	Fitting, 1/2" F. Pipe to 3/4" F. Garden
5	3200025	1	Hose Filter Washer
6	3200013	2	Street Elbow, 1/2" NPT
7	3200027	2	Water Valve
8	3200155	2	Fitting, 1/2" M. Pipe to 3/4" M. Garden
9	6011055	1	Water Hose Assembly, 30" Long
10	3200173	1	Street Elbow, 1/2" NPT Steel
11	3200001	1	Plug, 1/8" NPT
12	2900241	2	U-Bolt, 1/2" Pipe
13	2900009	4	Flat Washer, 1/4" SAE
14	2900010	4	Lock Nut, 1/4-20 Nylon

Battery Assembly #6011418



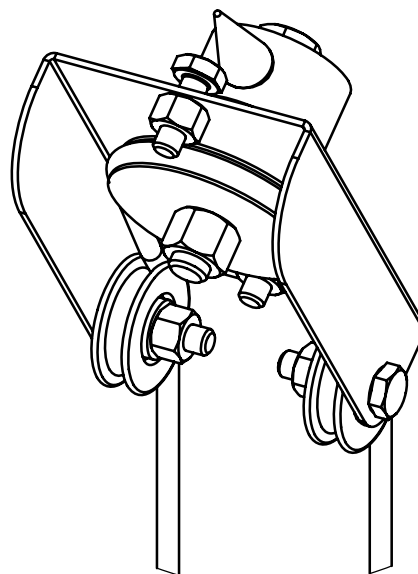
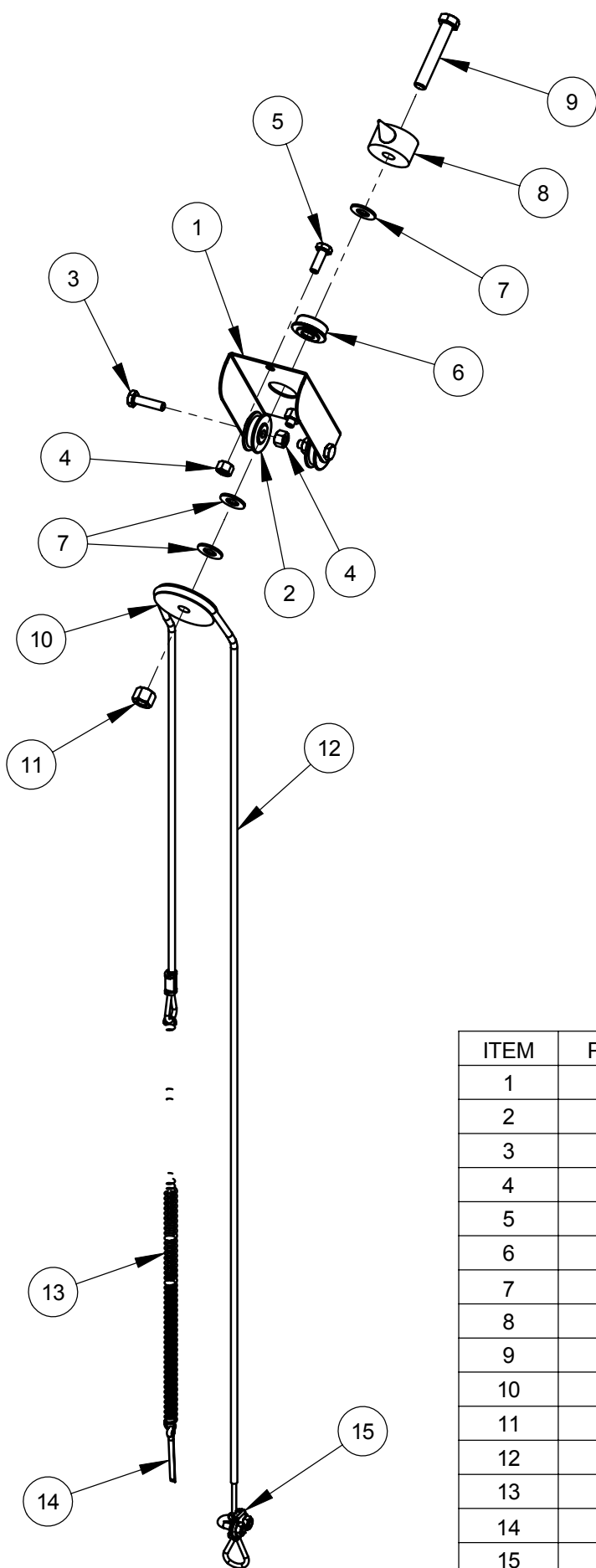
ITEM	PART NO.	QTY.	DESCRIPTION
1	6010670	1	Battery Platform
2	6010554	1	Battery Support Brace
3	2900019	5	Cap Screw, Hex Hd., 5/16-18 x 3/4"
4	2900022	5	Flat Washer, 5/16" SAE
5	2900039	4	Lock Nut, 5/16-18 Nylon
6	2900031	1	Lock Washer, 5/16" Split
7	6010017	1	Battery Top Brace
8	6010018	2	Rod, 1/4-20 x 8-1/2"
9	2900010	4	Lock Nut, 1/4-20 Nylon
10	6010016	1	Battery Pad
11	2700208	1	Battery, 12 Volt Group Size 34
12	2800073	1	Battery Cable, 64" Positive (Red)
13	2800072	1	Battery Cable, 30" Negative (Black)
14	2800095	1	Solenoid Cable, 14" Positive (Red)
15	2800182	1	Ground Cable, 14" Negative (Black)
16	2800256	1	Battery Boot, Large (Red)
17	2800257	1	Battery Boot, Large (Black)
18	2800197	2	Battery Boot, Small (Red)
19	2800198	2	Battery Boot, Small (Black)
20	2900014	1	Flat Washer, 3/8" SAE
21	2900006	1	Lock Washer, 3/8" Split
22	2900196	1	Cap Screw, Hex Hd., 3/8-16 x 3/4"

Hydraulic Pump Assembly #6011077
(Includes Items #1 - #11)



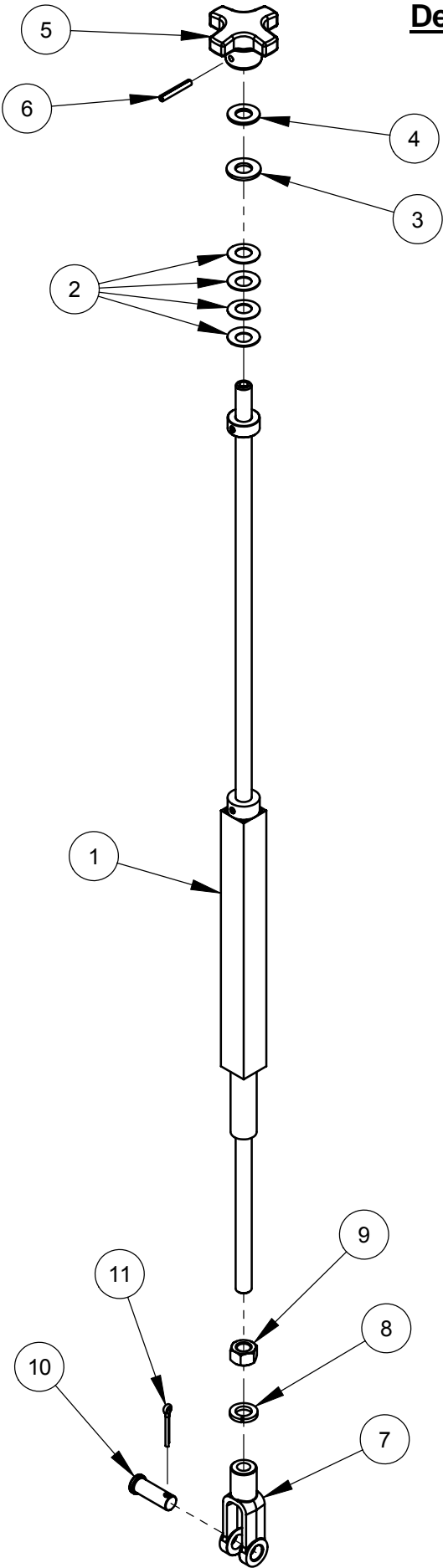
ITEM	PART NO.	QTY.	DESCRIPTION
1	2600070	1	Hydraulic Pump Unit
2	2700321	1	Breather Cap
3	3200120	1	Pipe Coupling, 3/8" NPT
4	3200123	1	Pipe Nipple, 3/8" NPT x 2"
5	3200115	1	Elbow, 3/8" O-Ring to 1/4" F. Pipe
6	3200060	1	Hex Nipple, 1/4" NPT
7	3200056	1	Flow Control Valve, 1/4" NPT
8	3200057	1	Elbow, 1/4" M. Pipe to 1/4" M. JIC
9	2900014	2	Flat Washer, 3/8" SAE
10	2900006	2	Lock Washer, 3/8" Split
11	2900005	2	Cap Screw, Hex Hd., 3/8-16 x 1"
12	3200116	1	Elbow, 1/4" O-Ring to 3/8" M. JIC
13	3200046	1	Fitting, 3/8" F. JIC to 3/8" Push Lock
14	6010059	1	Clear Hose, 3/8" I.D. x 19"

Depth Indicator Assembly #6010214



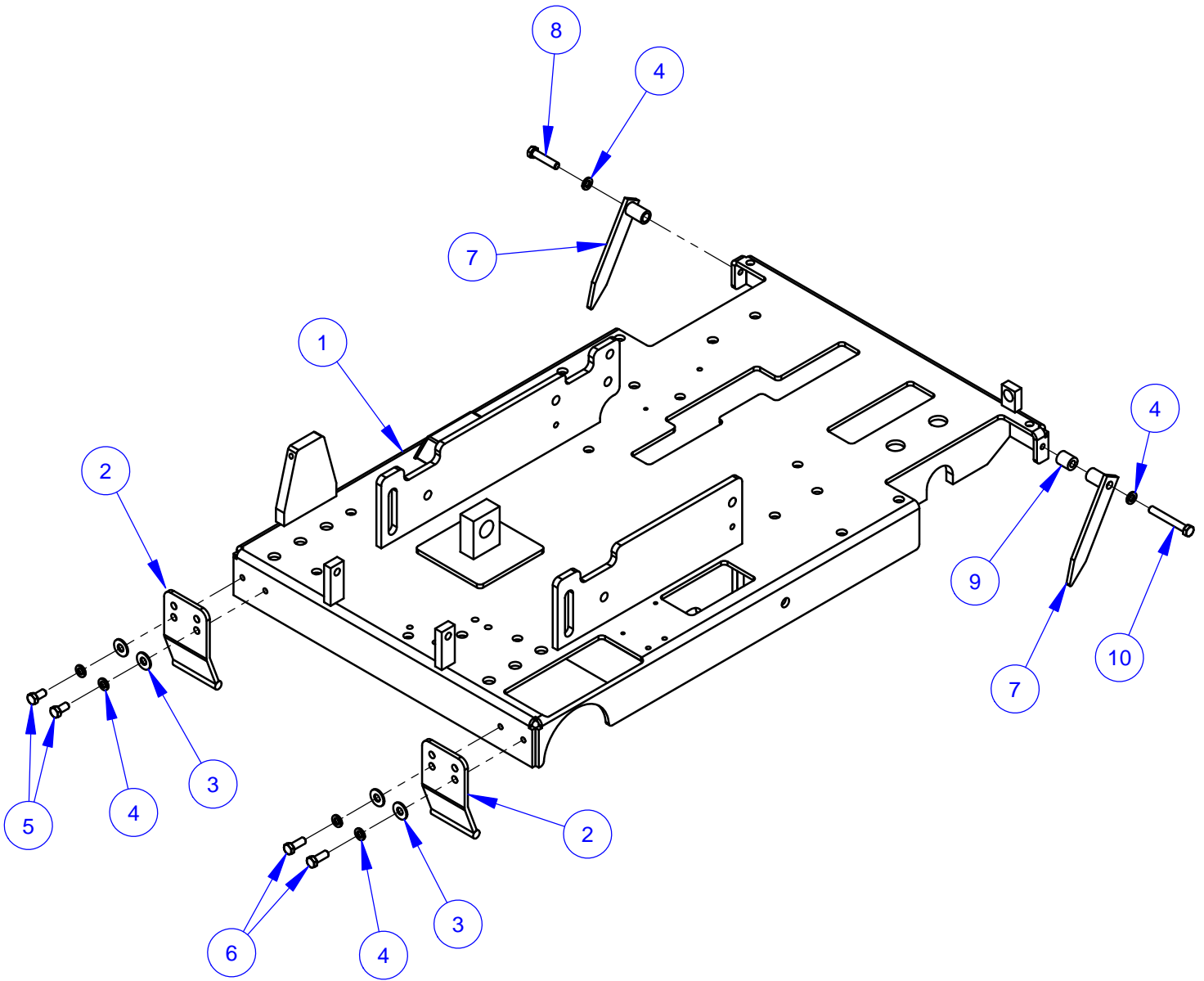
ITEM	PART NO.	QTY.	DESCRIPTION
1	6010092	1	Depth Indicator Mount Bracket
2	2500155	2	Cable Pulley, 1-1/4"
3	2900008	2	Cap Screw, Hex Hd., 1/4-20 x 1"
4	2900010	4	Lock Nut, 1/4-20 Nylon
5	2900144	2	Cap Screw, Hex Hd., 1/4-20 x 3/4"
6	2500145	1	Flange Bearing, 3/8"
7	2900014	3	Flat Washer, 3/8" SAE
8	6010091	1	Depth Indicator Pointer
9	2900079	1	Cap Screw, Hex Hd., 3/8-16 x 2-1/4"
10	6010093	1	Cable Pulley, 2"
11	2900018	1	Lock Nut, 3/8-16 Nylon
12	6010094	1	Depth Indicator Cable with Crimp, 48"
13	2500196	1	Spring, 3/8" x 15"
14	2900374	1	Cotter Pin, 5/32" x 1-1/2"
15	2500214	1	Cable Clamp

Depth Stop Assembly #6010215



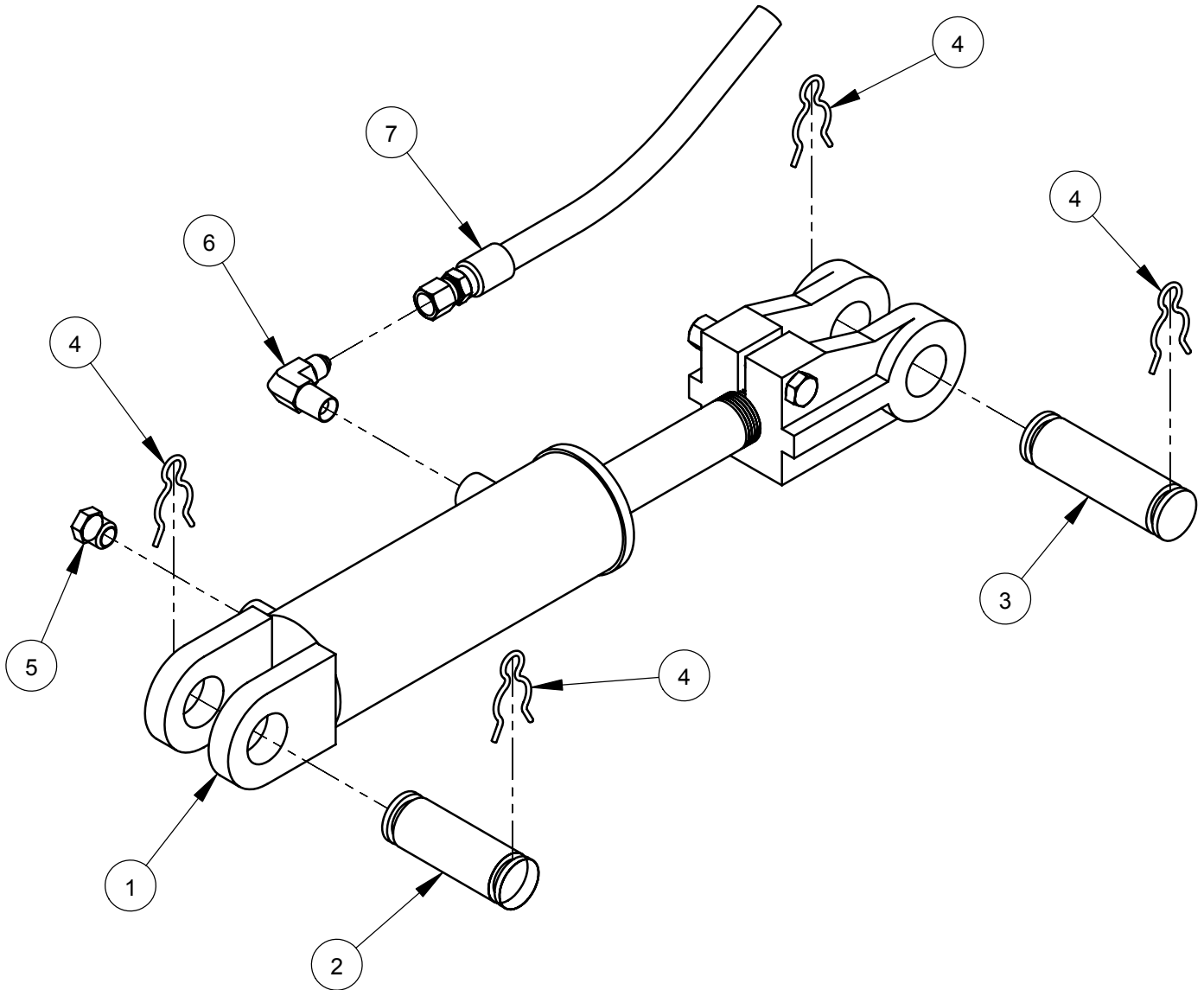
ITEM	PART NO.	QTY.	DESCRIPTION
1	6010097	1	Depth Stop Weldment
2	2900665	4	Belleville Washer, 1/2"
3	2900058	1	Flat Washer, 1/2" SAE
4	2900239	1	Friction Washer, 1/2"
5	6010095	1	Depth Stop Knob
6	2900132	1	Roll Pin, 3/16" x 1-1/4"
7	2900158	1	Yoke, 1/2-13
8	2900084	1	Lock Washer, 1/2" Split
9	2900037	1	Hex Nut, 1/2-13
10	2900007	1	Clevis Pin, 1/2" Dia. x 1-3/8"
11	2900004	1	Cotter Pin, 1/8" x 1"

Frame Base Assembly #6011422



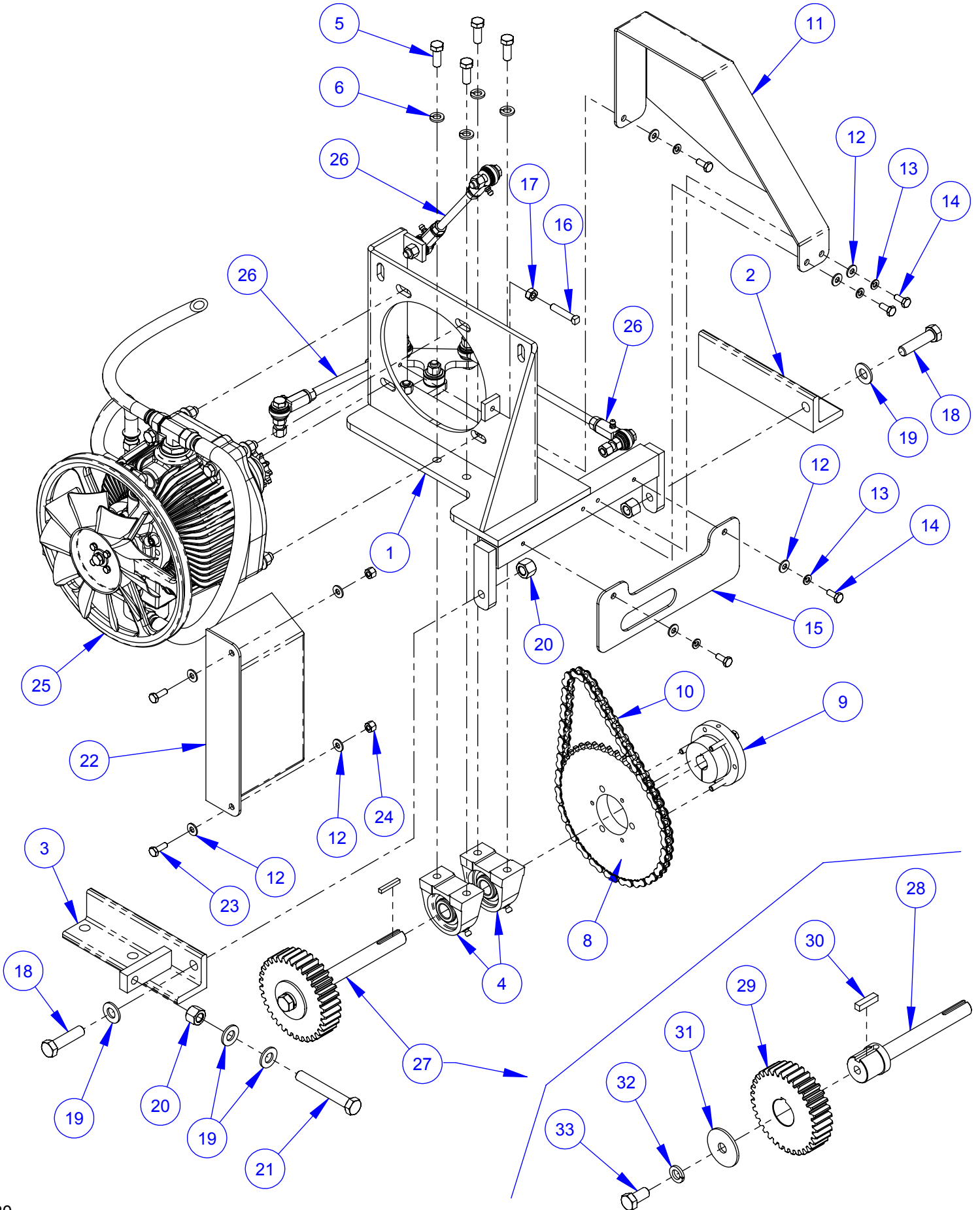
ITEM	PART NO.	QTY.	DESCRIPTION
1	6011400A	1	Frame Base
2	6011021	2	Skid Plate
3	2900473	4	Flat Washer, 3/8" USS
4	2900006	6	Lock Washer, 3/8" Split
5	2900196	2	Cap Screw, Hex Hd., 3/8-16 x 3/4"
6	2900005	2	Cap Screw, Hex Hd., 3/8-16 x 1"
7	6010022	2	Rear Pointer
8	2900047	1	Cap Screw, Hex Hd., 3/8-16 x 1-3/4"
9	6010515	1	Spacer, 7/8" Long
10	2900028	1	Cap Screw, Hex Hd., 3/8-16 x 2-3/4"

Hydraulic Cylinder Assembly #6010714



ITEM	PART NO.	QTY.	DESCRIPTION
1	2500177	1	Hydraulic Cylinder
2	6010031	1	Cylinder Pin, 3"
3	6010119	1	Cylinder Pin, 3-1/2"
4	2900064	4	Hair Pin Cotter, 3/4"
5	3200067	1	Cylinder Breather, 1/4" NPT
6	3200057	1	Elbow, 1/4" M. Pipe to 1/4" M. JIC
7	3200054	1	Hose Assembly, 32" Long

Rear Drive Assembly #6011461 (Eaton)

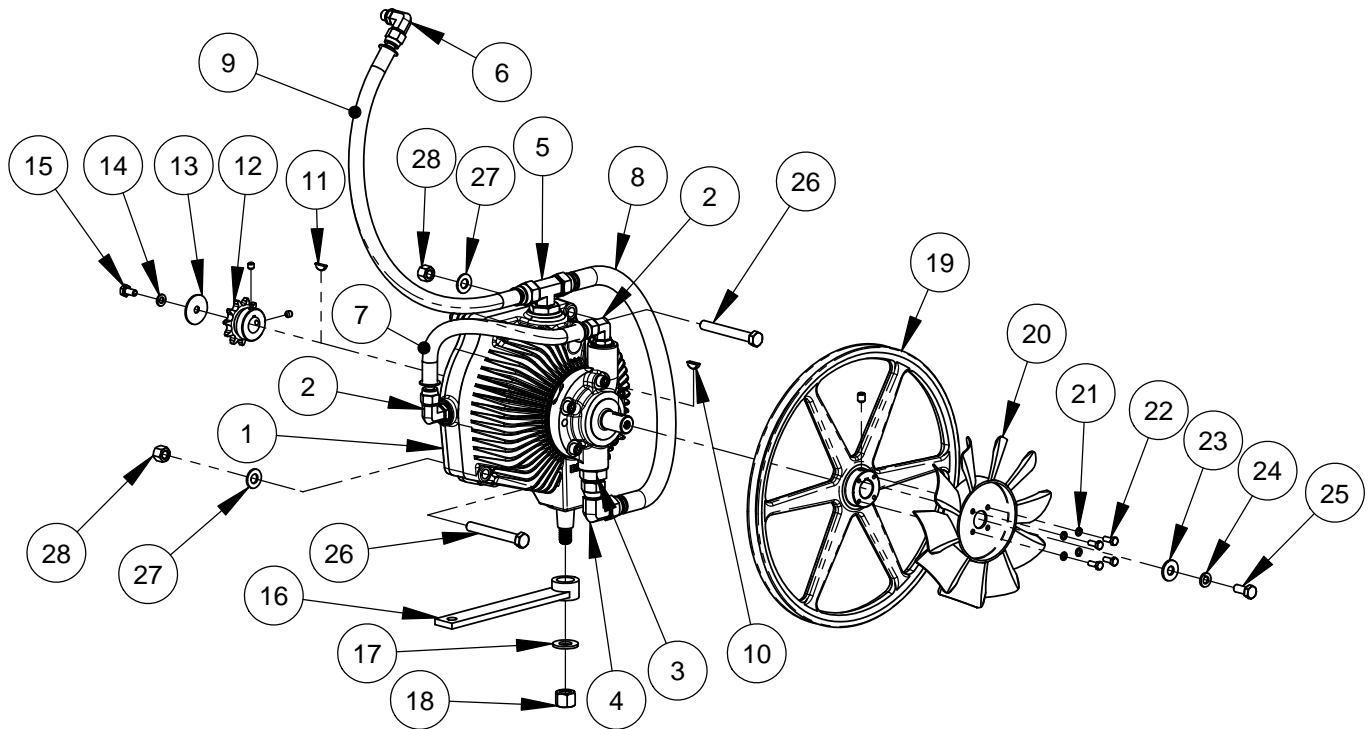


Rear Drive Assembly #6011461 (Eaton)

ITEM	PART NO.	QTY.	DESCRIPTION
1	6010068	1	Transmission Platform Weldment
2	6010027	1	Mount Foot, Right Hand
3	6011408	1	Mount Foot, Adjustable
4	2500159	2	Pillow Block Bearing, 3/4"
5	2900005	4	Cap Screw, Hex Hd., 3/8-16 x 1"
6	2900006	4	Lock Washer, 3/8" Split
7	6048229	1	Key, 3/16" Sq. x 1-1/4"
8	2500148	1	Sprocket, #40 x 45 Tooth
9	2500149	1	QD Bushing, SDS x 3/4" w/Fasteners
10	6010069	1	Chain, #40 x 56 Pitch
11	6010671	1	Chain Guard
12	2900009	9	Flat Washer, 1/4" SAE
13	2900024	5	Lock Washer, 1/4" Split
14	2900023	5	Cap Screw, Hex Hd., 1/4-20 x 5/8"
15	6010679	1	Gear Guard
16	2900140	1	Set Screw, Sq. Hd., 5/16-18 x 1-1/2"
17	2900141	1	Hex Nut, 5/16-18
18	2900106	2	Cap Screw, Hex Hd., 1/2-13 x 2"
19	2900058	4	Flat Washer, 1/2" SAE
20	2900026	3	Lock Nut, 1/2-13 Nylon
21	2900542	1	Tap Bolt, Hex Hd., 1/2-13 x 3-1/2"
22	6011409	1	Fan Guard
23	2900144	2	Cap Screw, Hex Hd., 1/4-20 x 3/4"
24	2900010	2	Lock Nut, 1/4-20 Nylon
25	6011679	1	Eaton Transmission Assembly
26	6011425	1	Linkage Assembly
27	6011442	1	Transmission Jackshaft Assembly

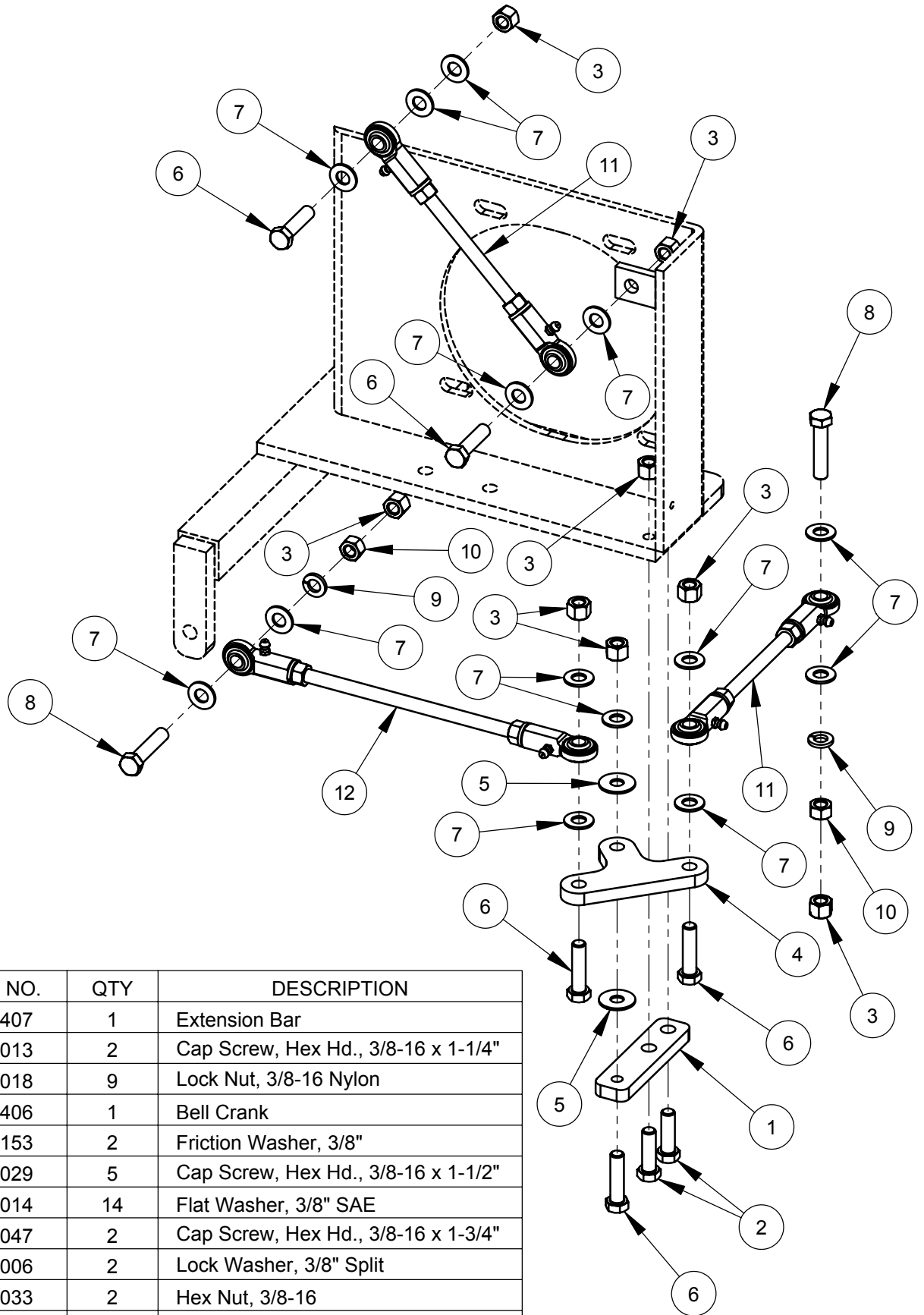
ITEM	PART NO.	QTY.	DESCRIPTION
28	6011443	1	Gear Jackshaft
29	6011444	1	Spur Gear, 34 Tooth
30	2502531	1	Key, 5/16" Sq. x 1-1/4"
31	2900854	1	Fender Washer, 1/2" x 2"
32	2900084	1	Lock Washer, 1/2" Split
33	2900086	1	Cap Screw, Hex Hd., 1/2-13 x 1"

Eaton Transmission Assembly # 6011679



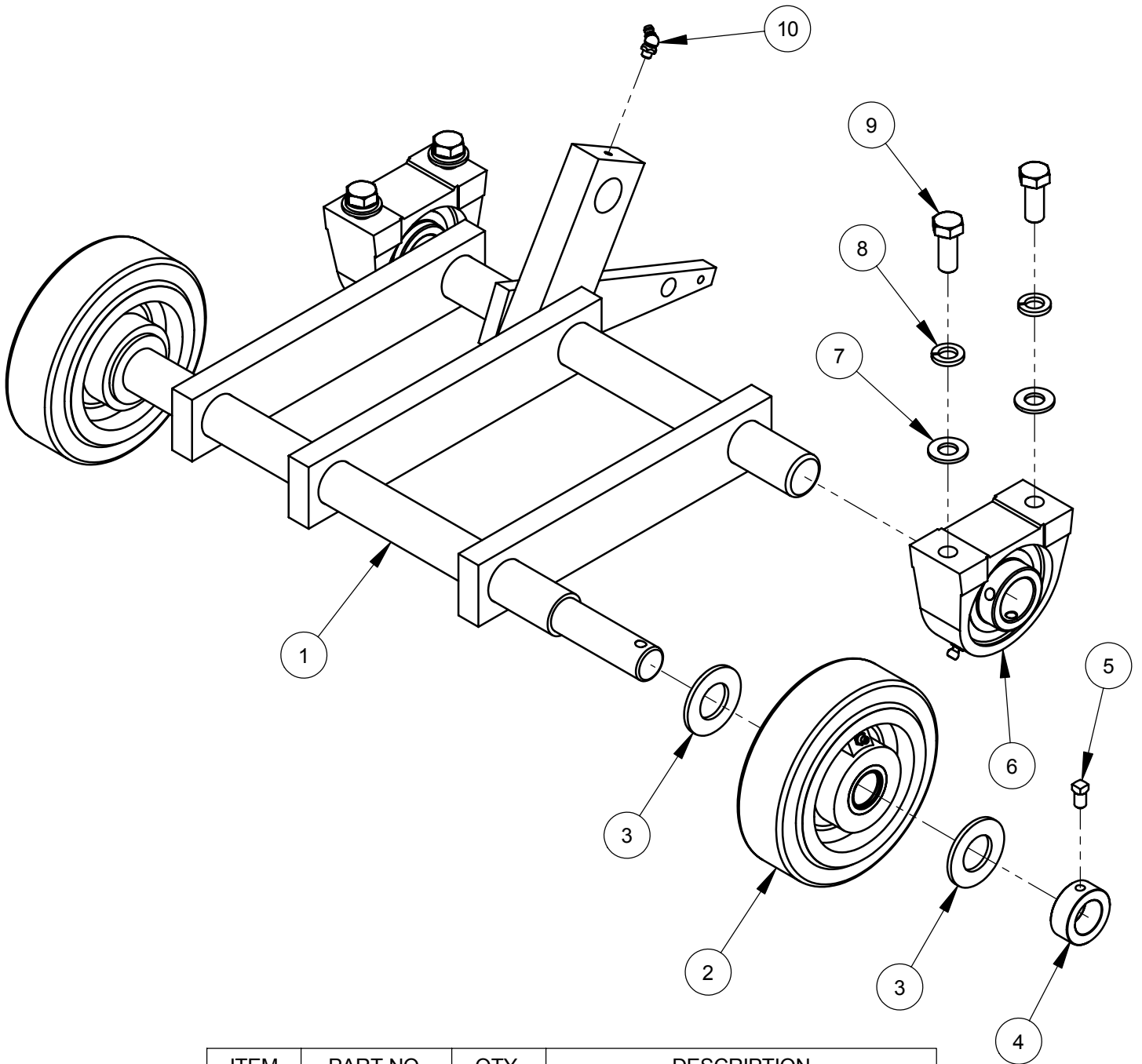
ITEM	PART NO.	QTY.	DESCRIPTION
1	2600720	1	Eaton Model 11 Transmission
2	3200271	2	Elbow, 3/8" O-Ring to 3/8" M. JIC
3	3200287	1	Adapter, 5/8" O-Ring to 1/2" M. JIC
4	3200304	1	Elbow, 1/2" M. JIC to 1/2" F. JIC
5	3201878	1	Tee, 1/2" M. JIC to 5/8" O-Ring
6	3200116	1	Elbow, 1/4" O-Ring to 3/8" M. JIC
7	6012250	1	Hose Assembly 3/8" x 10"
8	6012251	1	Hose Assembly 1/2" x 16"
9	6012252	1	Hose Assembly 3/8" x 26"
10	2900143	1	Woodruff Key #61, 3/16" x 5/8"
11	2900063	1	Woodruff Key #405, 1/8" x 5/8"
12	2500150	1	Sprocket, #40 x 11 Tooth w/Setscrews
13	2900083	1	Fender Washer, 1/4" x 1-1/4"
14	2900024	1	Lock Washer, 1/4" Split
15	2900082	1	Cap Screw, Hex Hd., 1/4-20 x 1/2"
16	6010064	1	Shift Lever
17	2900058	1	Flat Washer, 1/2" SAE
18	2900026	1	Lock Nut, 1/2-13 Nylon
19	6011459	1	Transmission Pulley 12" w/Setscrew
20	2500519	1	Cooling Fan, 7"
21	2900038	4	Lock Washer, #10 Split
22	2900448	4	Machine Screw, Hex Hd., #10-32 x 1/2"
23	2900567	1	Flat Washer, 5/16" USS
24	2900031	1	Lock Washer, 5/16" Split
25	2900019	1	Cap Screw, Hex Hd., 5/16-18 x 3/4"
26	2900035	4	Cap Screw, Hex Hd., 3/8-16 x 3"
27	2900014	4	Flat Washer, 3/8" SAE
28	2900018	4	Locknut, 3/8-16, Nylon

Linkage Assembly #6011425



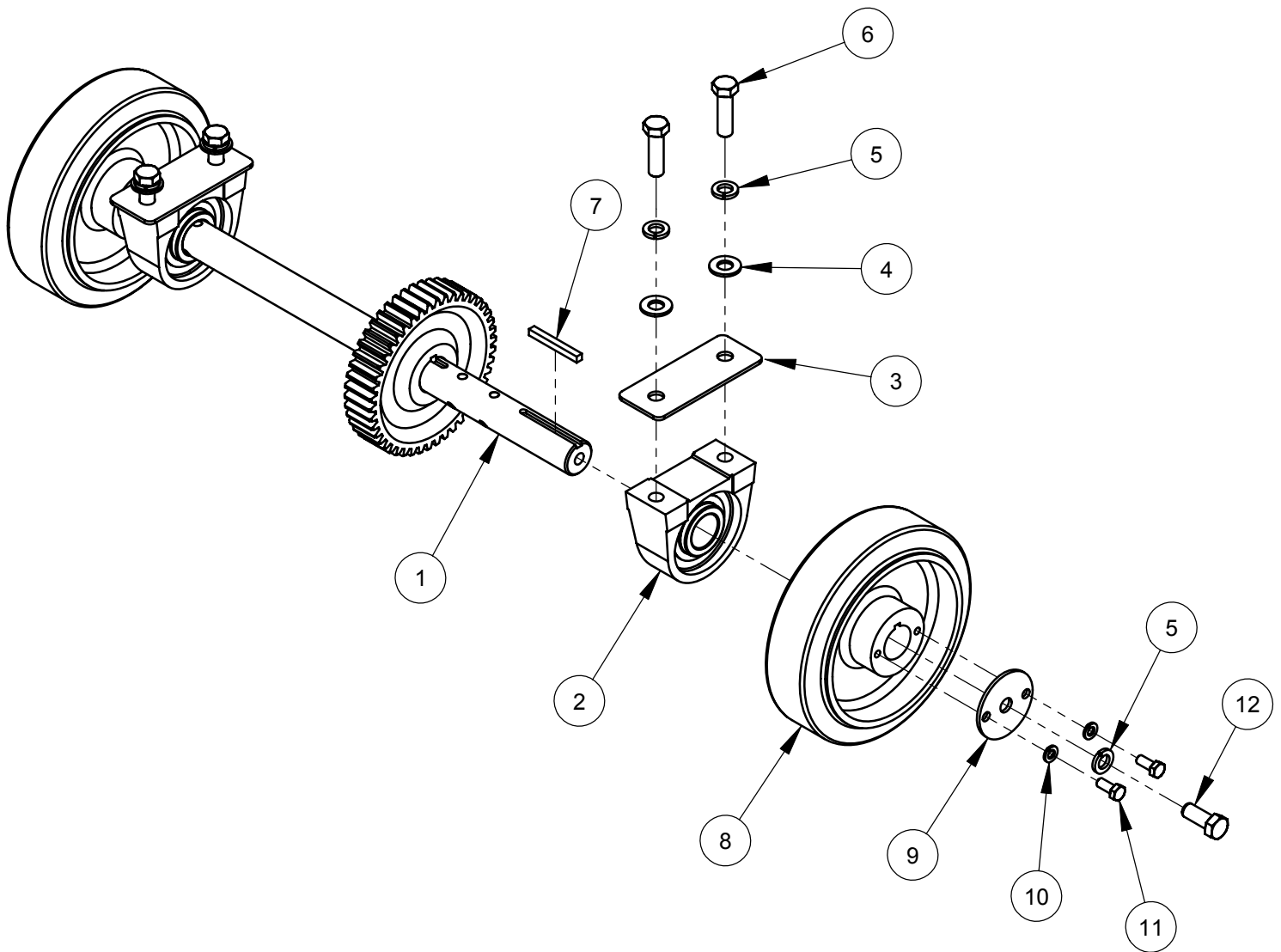
ITEM	PART NO.	QTY	DESCRIPTION
1	6011407	1	Extension Bar
2	2900013	2	Cap Screw, Hex Hd., 3/8-16 x 1-1/4"
3	2900018	9	Lock Nut, 3/8-16 Nylon
4	6011406	1	Bell Crank
5	2900153	2	Friction Washer, 3/8"
6	2900029	5	Cap Screw, Hex Hd., 3/8-16 x 1-1/2"
7	2900014	14	Flat Washer, 3/8" SAE
8	2900047	2	Cap Screw, Hex Hd., 3/8-16 x 1-3/4"
9	2900006	2	Lock Washer, 3/8" Split
10	2900033	2	Hex Nut, 3/8-16
11	6011412	2	Linkage Assembly 7-3/4"
12	6012095	1	Linkage Assembly 10-1/2"

Front Axle Assembly #6011070



ITEM	PART NO.	QTY.	DESCRIPTION
1	6011003	1	Front Axle Weldment
2	2500299	2	Wheel, 6" Front
3	2900295	4	Flat Washer, 1" SAE
4	2500009	2	Set Collar, 1" ID
5	2900431	2	Set Screw, Sq. Hd., 5/16-18 x 1/2"
6	2500158	2	Pillow Block Bearing 1-1/4"
7	2900058	4	Flat Washer, 1/2" SAE
8	2900084	4	Lock Washer, 1/2" Split
9	2900025	4	Cap Screw, Hex Hd., 1/2-13 x 1-1/4"
10	2900184	1	Grease Fitting, 1/4" NPT x 45 degree

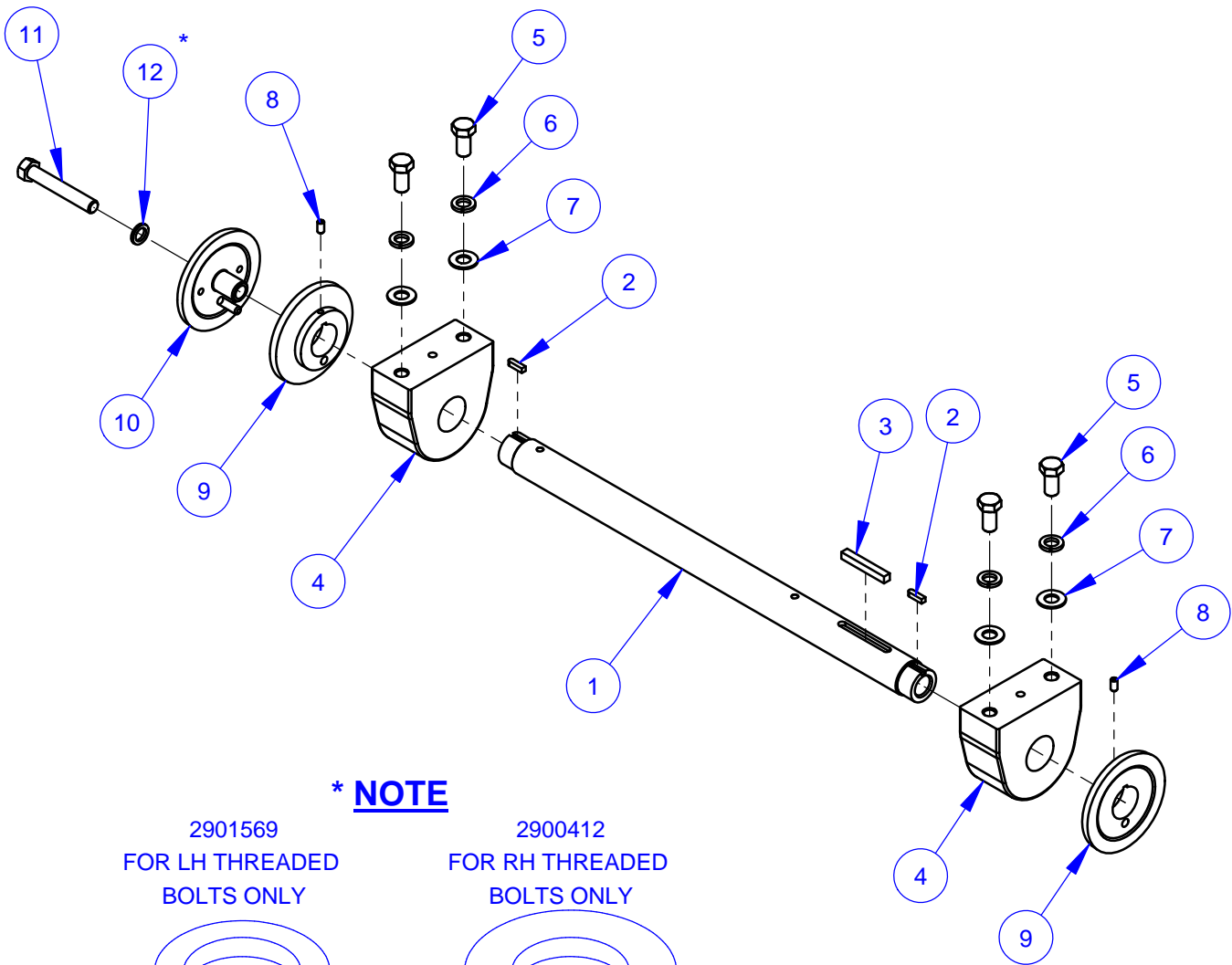
Rear Axle Assembly #6011402 (Eaton / Gear)



ITEM	PART NO.	QTY.	DESCRIPTION
1	6011403	1	Rear Axle Weldment w/46 Tooth Gear
2	2500158	2	Pillow Block Bearing 1-1/4"
3	6010024	2	Rear Axle Bearing Spacer, 1/8"
4	2900058	4	Flat Washer, 1/2" SAE
5	2900084	6	Lock Washer, 1/2" Split
6	2900139	4	Cap Screw, Hex Hd., 1/2-13 x 1-3/4"
7	6048134	2	Key, 1/4" Sq. x 2-1/4"
8	6011019	2	Wheel, 8" Rear
9	6010026	2	Wheel Mount Washer
10	2900031	4	Lock Washer, 5/16" Split
11	2900019	4	Cap Screw, Hex Hd., 5/16-18 x 3/4"
12	2900025	2	Cap Screw, Hex Hd., 1/2-13 x 1-1/4"

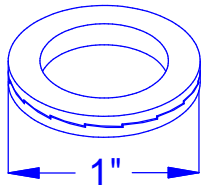
Intentionally Blank

Blade Shaft Assembly #6011735

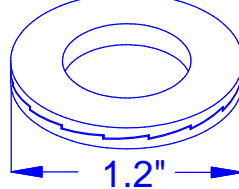


*** NOTE**

2901569
FOR LH THREADED
BOLTS ONLY



2900412
FOR RH THREADED
BOLTS ONLY

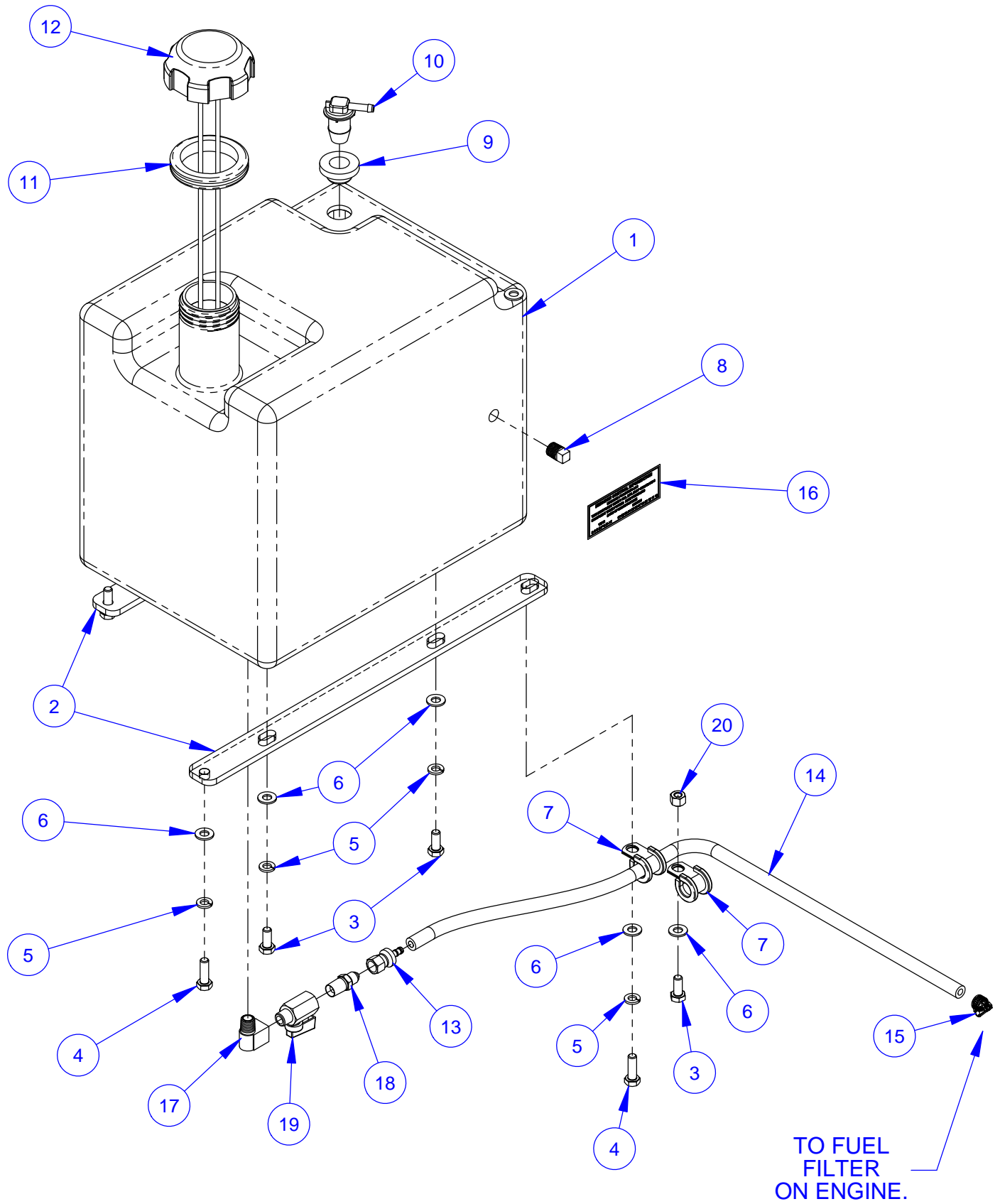


* 2900412 Shown on
Belt Guard Assembly
#6011728 page

ITEM	PART NO.	QTY.	DESCRIPTION
1	6011002	1	Blade Shaft
2	6010040	2	Key, 1/4" Sq. x 15/16"
3	6011058	1	Key, 3/8" Sq. x 2-3/4"
4	2500151	2	Blade Shaft Bearing, 1-3/4"
5	2900512	4	Cap Screw, Hex Hd., 5/8-11 x 1-1/4"
6	2900113	4	Lock Washer, 5/8" Split
7	2900002	4	Flat Washer, 5/8" SAE
8	2900418	2	Set Screw, Soc. Hd., 5/16-18 x 5/8"
9	6010255	2	Inner Flange 5"
10	6047907	1	Outer Flange 5" with Pin
11	2900130	1	Cap Screw, Hex Hd., 5/8-11 x 4" LH
12	2901569	1	Wedge Lock Washer Pair, 5/8" LH

*

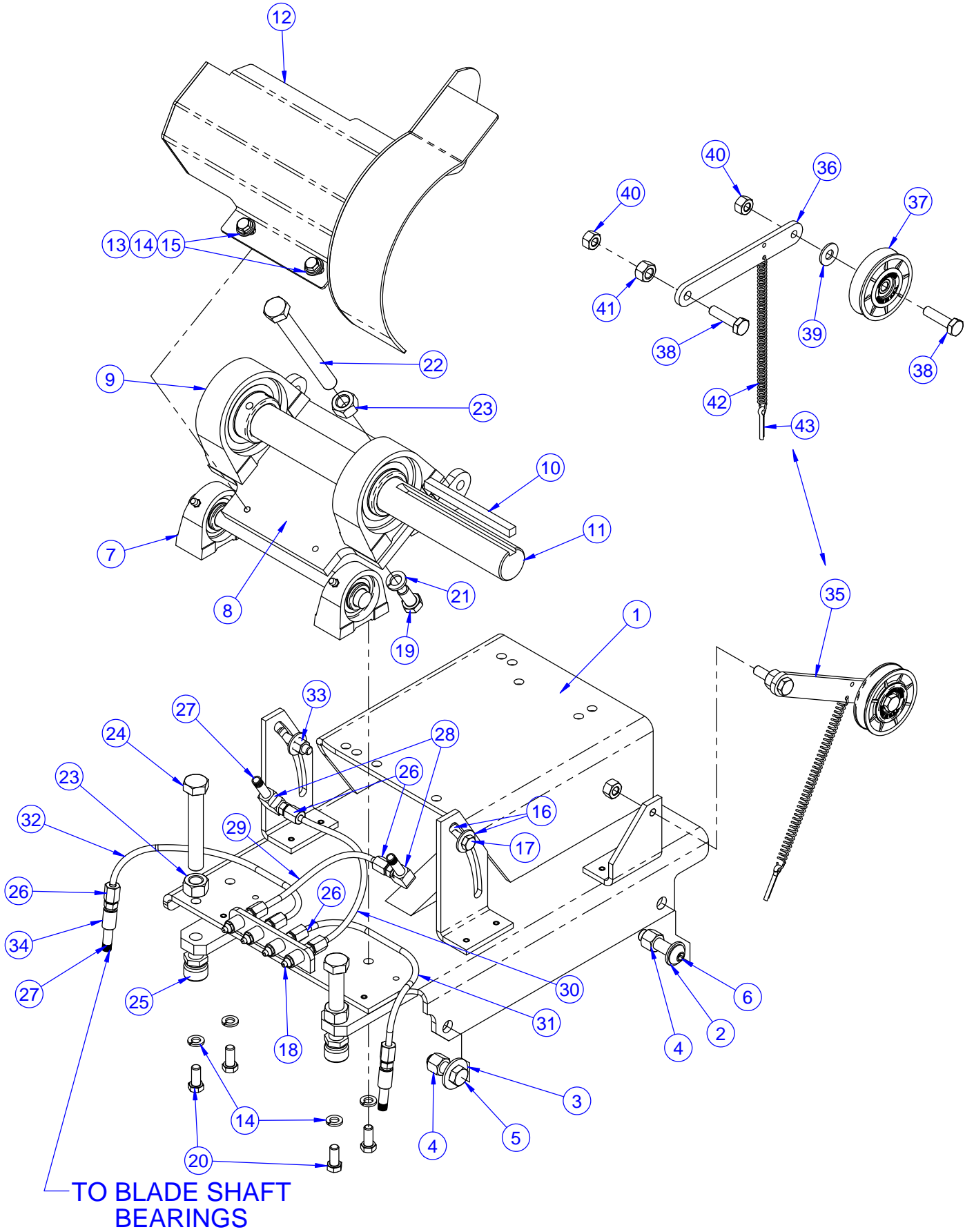
Fuel Tank Assembly #6011388



Fuel Tank Assembly #6011388

ITEM	PART NO.	QTY.	DESCRIPTION
1	2505531	1	Fuel Tank, 5.6 Gallon
2	6011083	2	Fuel Tank Mount Bar
3	2900019	5	Cap Screw, Hex Hd., 5/16-18 x 3/4"
4	2900138	4	Cap Screw, Hex Hd., 5/16-18 x 1"
5	2900031	8	Lock Washer, 5/16" Split
6	2900022	10	Flat Washer, 5/16" SAE
7	2501434	2	Hose Clamp, 5/8" x 3/4" Wide
8	3200206	1	Pipe Plug, 1/4" NPT
9	2506716	1	Grommet
10	2502484	1	Roll Over Vent, 1/4" Hose Barb
11	2500205	1	Fuel Tank Grommet
12	2503294	1	Fuel Tank Cap, W/Gage
13	3200091	1	Fitting, 1/4" F. JIC to 1/4" Push Lock
14	6010496	1	Fuel Line Hose, 1/4" I.D. x 20"
15	3200062	1	Hose Clamp #4
16	1801716	1	Decal, EPA EVAP Standard
17	3200012	1	Street Elbow, 1/4" NPT
18	3200418	1	Adapter, 1/4" M. Pipe to 1/4" M. JIC
19	3200108	1	Ball Valve, 1/4" NPT
20	2900039	1	Lock Nut, 5/16-18 Nylon

Engine Base Assembly #6011712

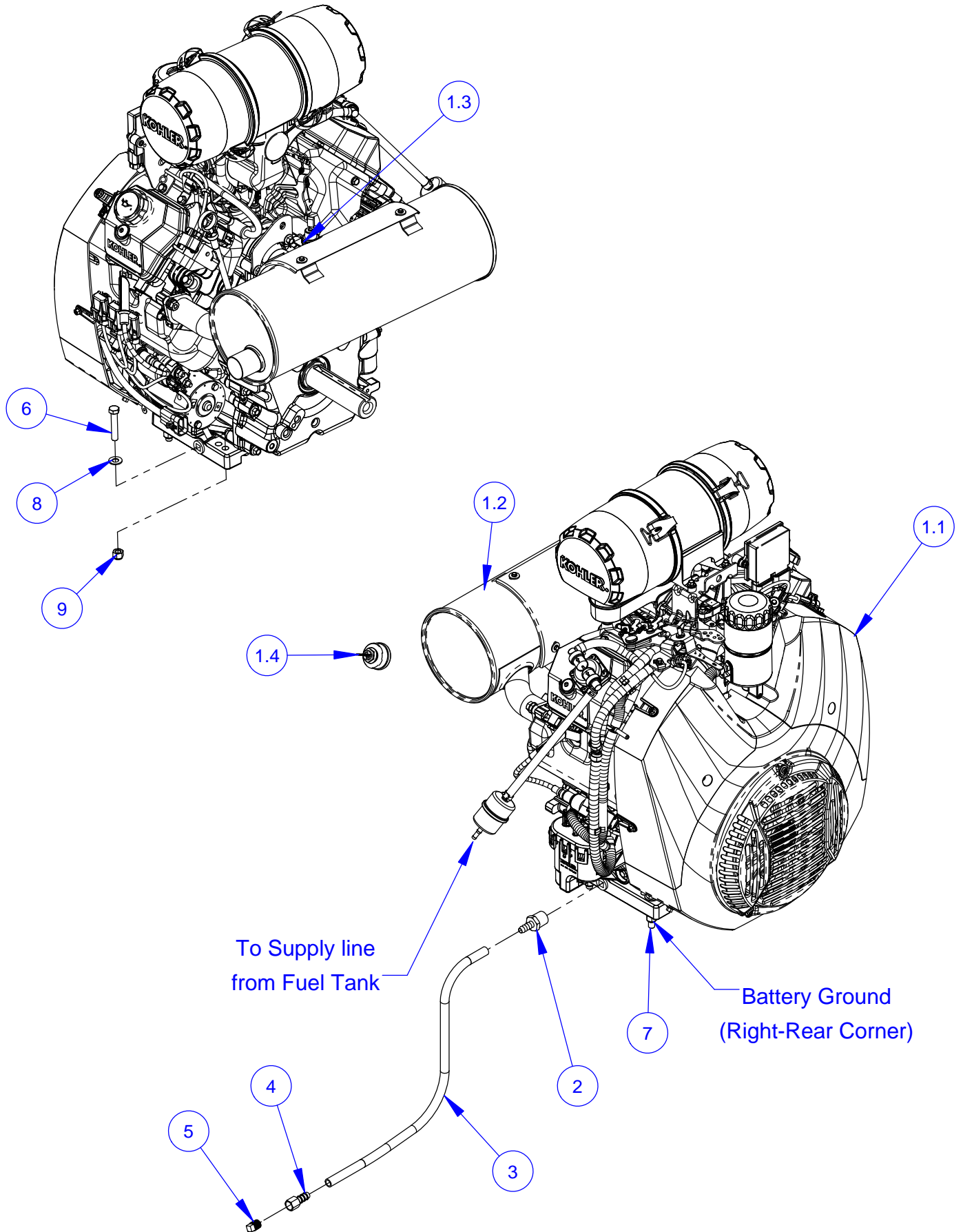


Engine Base Assembly #6011712

ITEM	PART NO.	QTY.	DESCRIPTION
1	6011707	1	Engine Base Weldment CC3500J
2	2900058	2	Flat Washer, 1/2" SAE
3	2900127	2	Flat Washer, 1/2" USS
4	2900026	4	Lock Nut, 1/2-13 Nylon
5	2900499	3	Cap Screw, Hex Hd., 1/2-13 x 1-1/2"
6	2900288	1	Cap Screw, Button Hd., 1/2-13 x 2"
7	2500159	2	Pillow Block Bearing, 3/4"
8	6011710	1	Pivot Plate, Jack Shaft CC3500J
9	2500731	2	Pillow Block Bearing 1-1/2"
10	6010034	1	Key, 3/8" Sq. x 5"
11	6011706	1	Jack Shaft, CC3500J
12	6011708	1	Belt Guard, Jack Shaft CC3500J
13	2900883	2	Cap Screw, Hex Hd., 5/16-18 x 5/8"
14	2900006	6	Lock Washer, 3/8" Split
15	2900014	2	Flat Washer, 3/8" SAE
16	2900473	4	Flat Washer, 3/8" USS
17	2900029	2	Cap Screw, Hex Hd., 3/8-16 x 1-1/2"
18	2900062	4	Grease Fitting, 1/8" NPT
19	2900086	4	Cap Screw, Hex Hd., 1/2-13 x 1"
20	2900621	4	Cap Screw, Hex Hd., 3/8-16 x 7/8"
21	2900084	4	Lock Washer, 1/2" Split
22	2900104	1	Tap Bolt, Hex Hd., 5/8-11 x 6"
23	2900112	3	Hex Nut, 5/8-11
24	2900492	2	Tap Bolt, Hex Hd., 5/8-11 x 4"
25	2900446	2	Swivel Pad Nut, 5/8-11
26	3201276	8	1/4" Compression Tube Fitting
27	3201462	4	Nipple, 1/8" NPT X 1-1/2"
28	3200154	2	Pipe Elbow, 1/8" NPT Female
29	6011715	1	Grease Tube, 1/4" x 7"
30	6011672	1	Grease Tube, 1/4" x 8"
31	6011673	1	Grease Tube, 1/4" x 14"
32	6011748	1	Grease Tube, 1/4" x 15"
33	2900018	2	Locknut, 3/8-16, Nylon
34	3200388	2	1/8" Pipe Coupling
35	6011765	1	Idler Assembly

ITEM	PART NO.	QTY.	DESCRIPTION
36	6048085	1	Idler Arm
37	2500074	1	Idler Pulley 3"
38	2900316	2	Cap Screw, Hex Hd., M10-1.5 x 40mm
39	2900473	1	Flat Washer, 3/8" USS
40	2900304	2	Lock Nut, M10-1.5 Nylon Insert
41	2900037	1	Hex Nut, 1/2-13
42	2500195	1	Spring, 3/8" x 7-3/4"
43	2900055	1	Cotter Pin, 3/16" x 1"

38HP Kohler EFI Engine Assembly #6011780

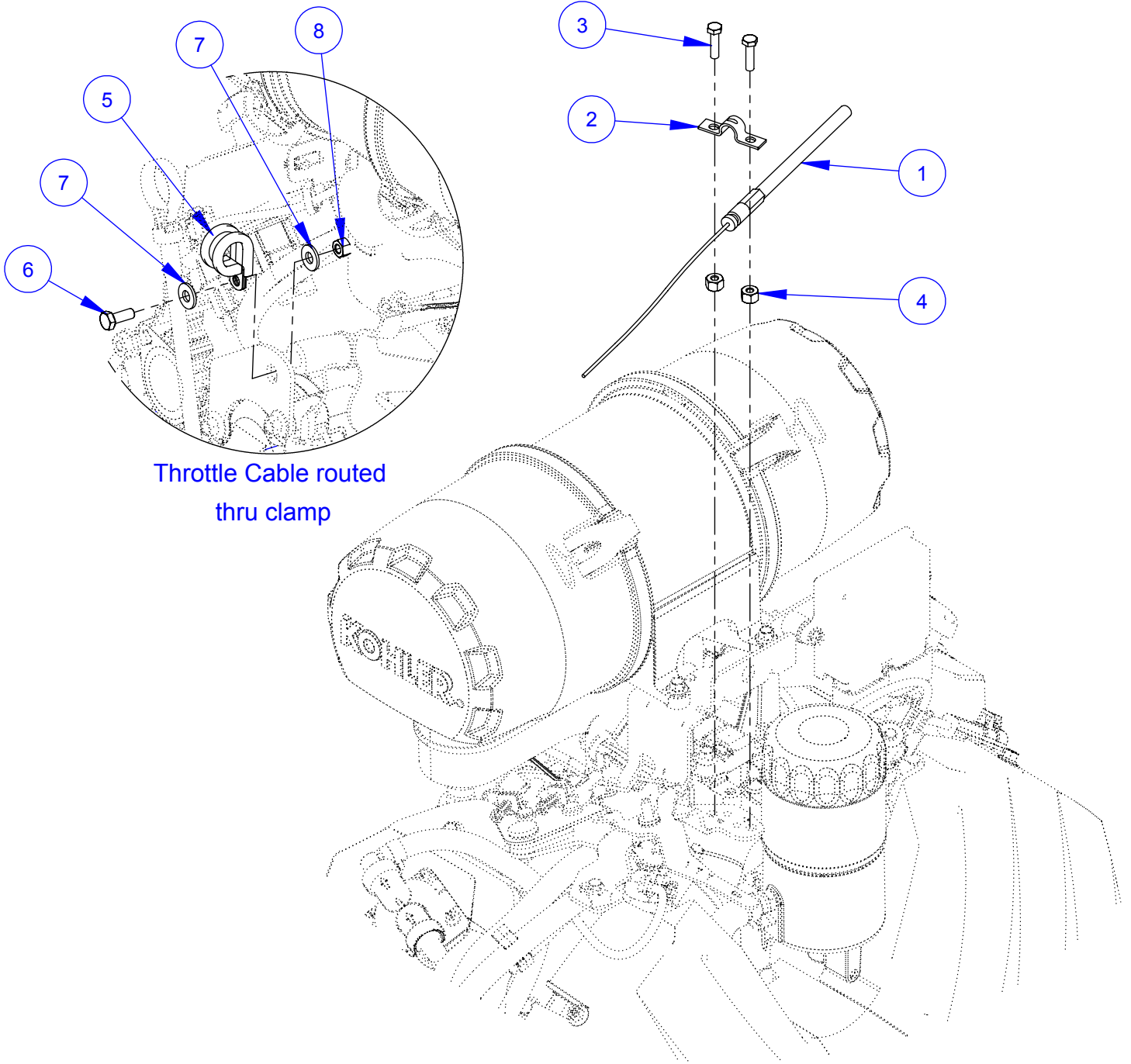


38HP Kohler EFI Engine Assembly #6011780

ITEM	PART NO.	QTY.	DESCRIPTION
1	6058051	1	Kohler ECH 980 Engine Sub Assembly
1.1	2600839	1	Kohler Comand Pro ECH980 38HP Engine
1.2	2703687	1	Muffler, Kohler ECH980 38HP EFI
1.3	2706078	1	Oil Pressure Sender
1.4	2700892	1	Ignition Switch w/ Key (27KC)
2	3200234	1	Fitting, 1/2" MPT to 3/8" Hose Barb
3	6011736	1	Oil Drain Hose, 3/8" I.D. x 22"
4	3200031	1	Fitting, 1/4" F. Pipe to 3/8" Hose Barb
5	3200206	1	Pipe Plug, 1/4" NPT
6	2900060	3	Cap Screw, Hex Hd., 3/8-16 x 2"
7	2900079	1	Cap Screw, Hex Hd., 3/8-16 x 2-1/4"
8	2900014	4	Flat Washer, 3/8" SAE
9	2900018	4	Lock Nut, 3/8-16 Nylon
10	6007578	1	Wire Harness, CC3538JK (Not Shown)

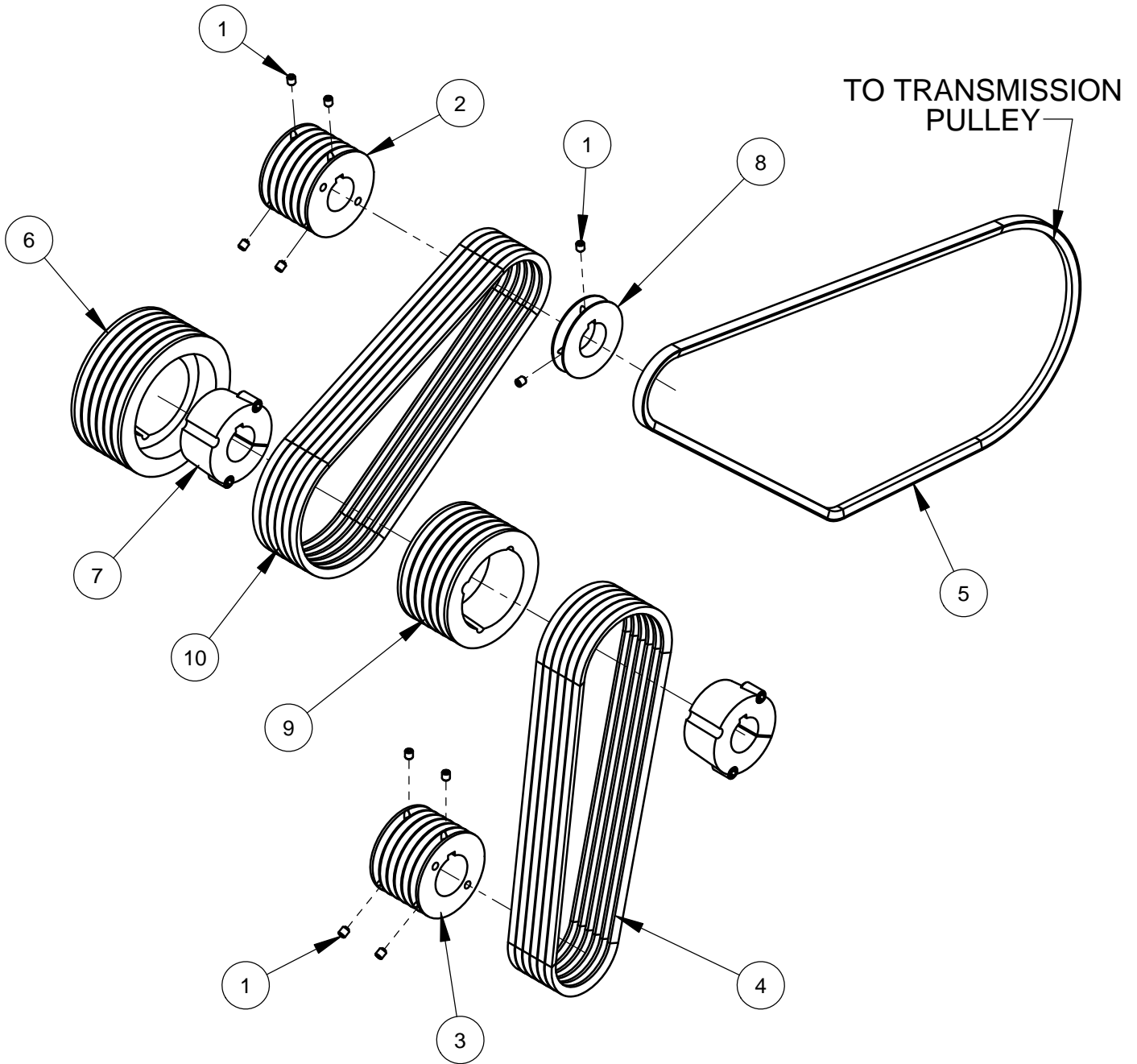
Intentionally Blank

Throttle Cable Assembly, 38HP Kohler EFI #6011812



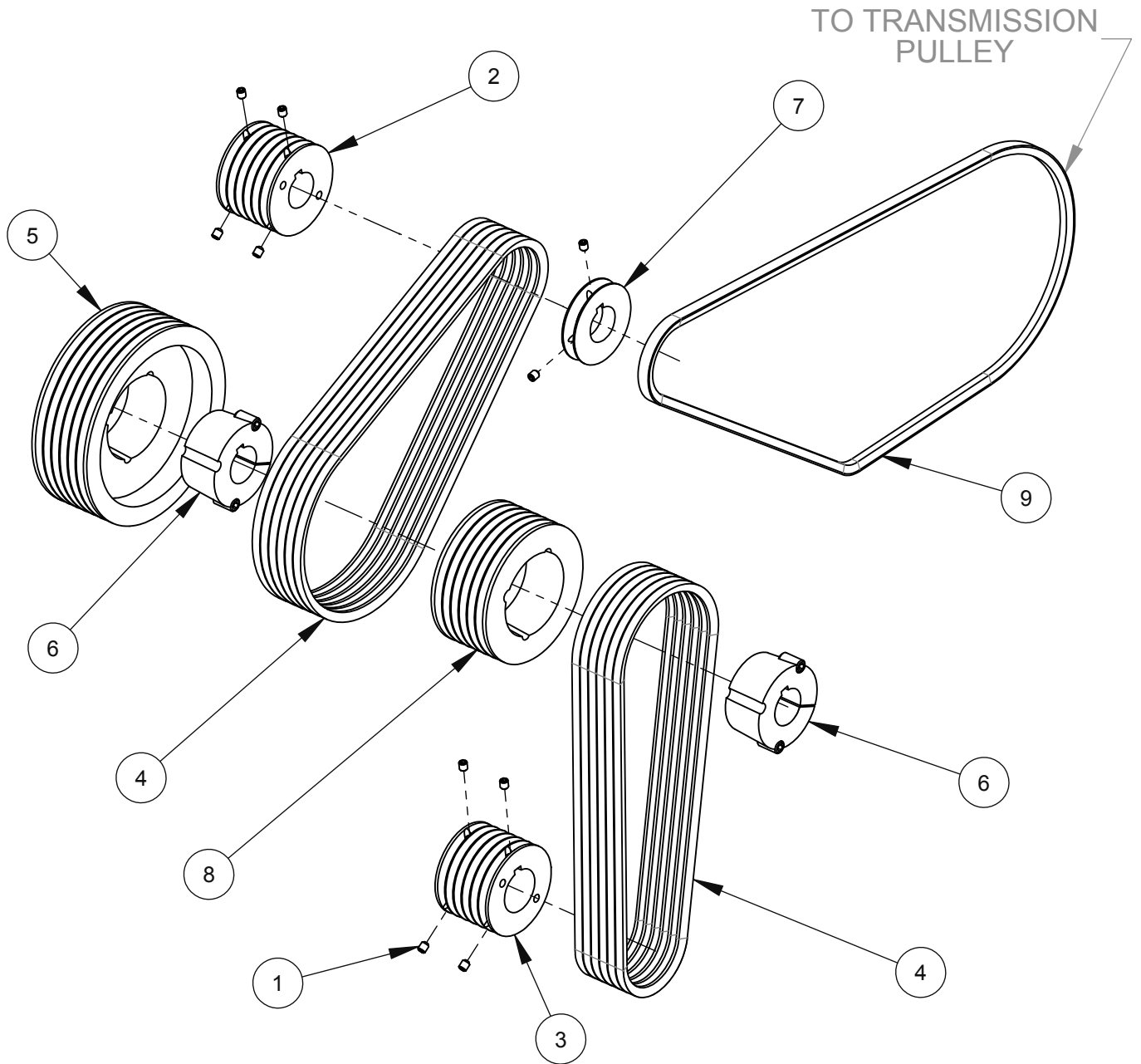
ITEM	PART NO.	QTY.	DESCRIPTION
1	2500376	1	Throttle Cable w/ Control (Control not shown)
2	2500940	1	Throttle Cable Clamp
3	2900015	2	Machine Screw, Hex Hd., #10-24 x 3/4"
4	2900017	2	Lock Nut, #10-24 Nylon
5	2500999	1	Clamp, 5/8" Hose
6	2900341	1	Cap Screw, Hex Hd., M6-1.0 x 16mm
7	2900009	2	Flat Washer, 1/4" SAE
8	2900302	1	Lock Nut, M6-1.0 Nylon Insert

6011721 14" Belt Drive Assembly



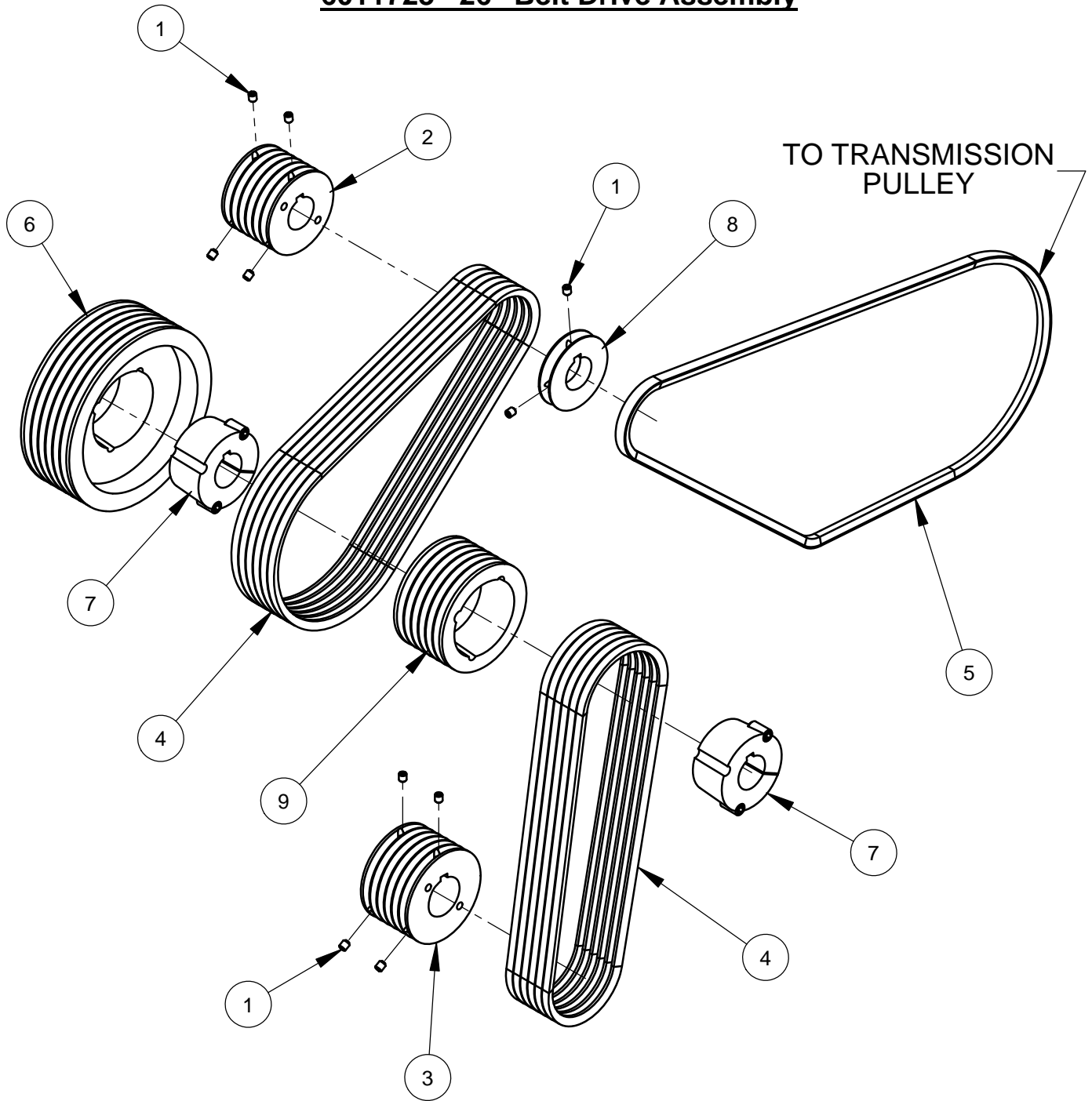
ITEM	PART NO.	QTY.	DESCRIPTION
1	2900142	10	Set Screw, Soc. Hd., 5/16-18 x 3/8"
2	6011008	1	Sheave, 3.65" x 6 Groove x 1-7/16" Bore
3	6011009	1	Sheave, 3.65" x 6 Groove x 1-3/4" Bore
4	2500792	6	V-Belt, 3VX400
5	2501872	1	V-Belt, 4L600W
6	2506462	1	Sheave, 3V x 6.0" x 6 Groove Taper Style
7	2506455	2	Taper Bushing, 1-1/2" w/Setscrews
8	6011458	1	Pulley, Accessory Drive
9	2506452	1	Sheave, 3V x 5.0" x 6 Groove Taper Style
10	2503875	6	V-Belt, 3VX366

6011722 20" Belt Drive Assembly



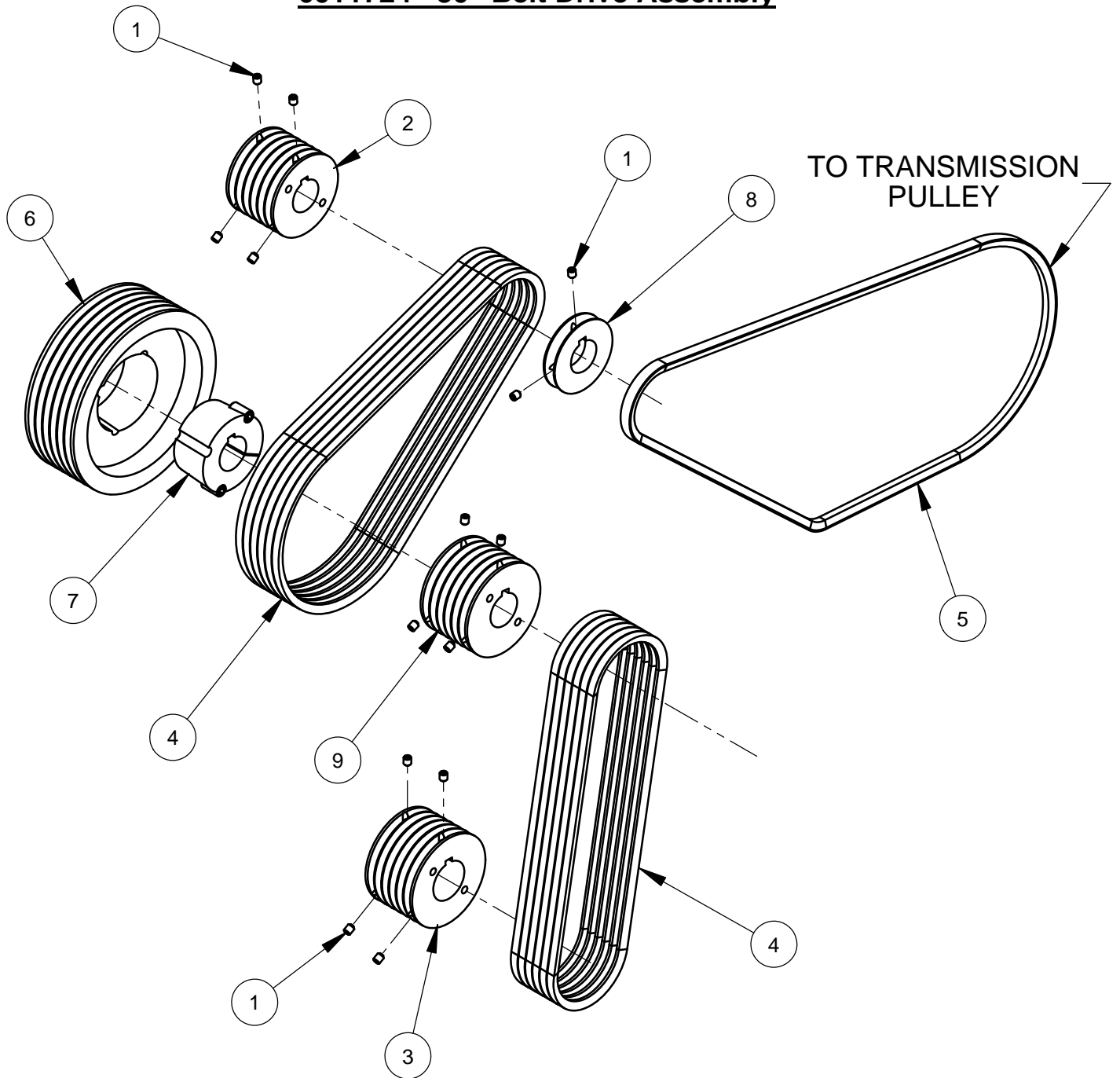
ITEM	PART NO.	QTY.	DESCRIPTION
1	2900142	10	Set Screw, Soc. Hd., 5/16-18 x 3/8"
2	6011008	1	Sheave, 3.65" x 6 Groove x 1-7/16" Bore
3	6011009	1	Sheave, 3.65" x 6 Groove x 1-3/4" Bore
4	2500792	12	V-Belt, 3VX400
5	2506454	1	Sheave, 3V x 8.0" x 6 Groove Taper Style
6	2506455	2	Taper Bushing, 1-1/2" w/Setscrews
7	6011458	1	Pulley, Accessory Drive
8	2503926	1	Sheave, 3V x 5.6" x 6 Groove Taper Style
9	2501872	1	V-Belt, 4L600W

6011723 26" Belt Drive Assembly



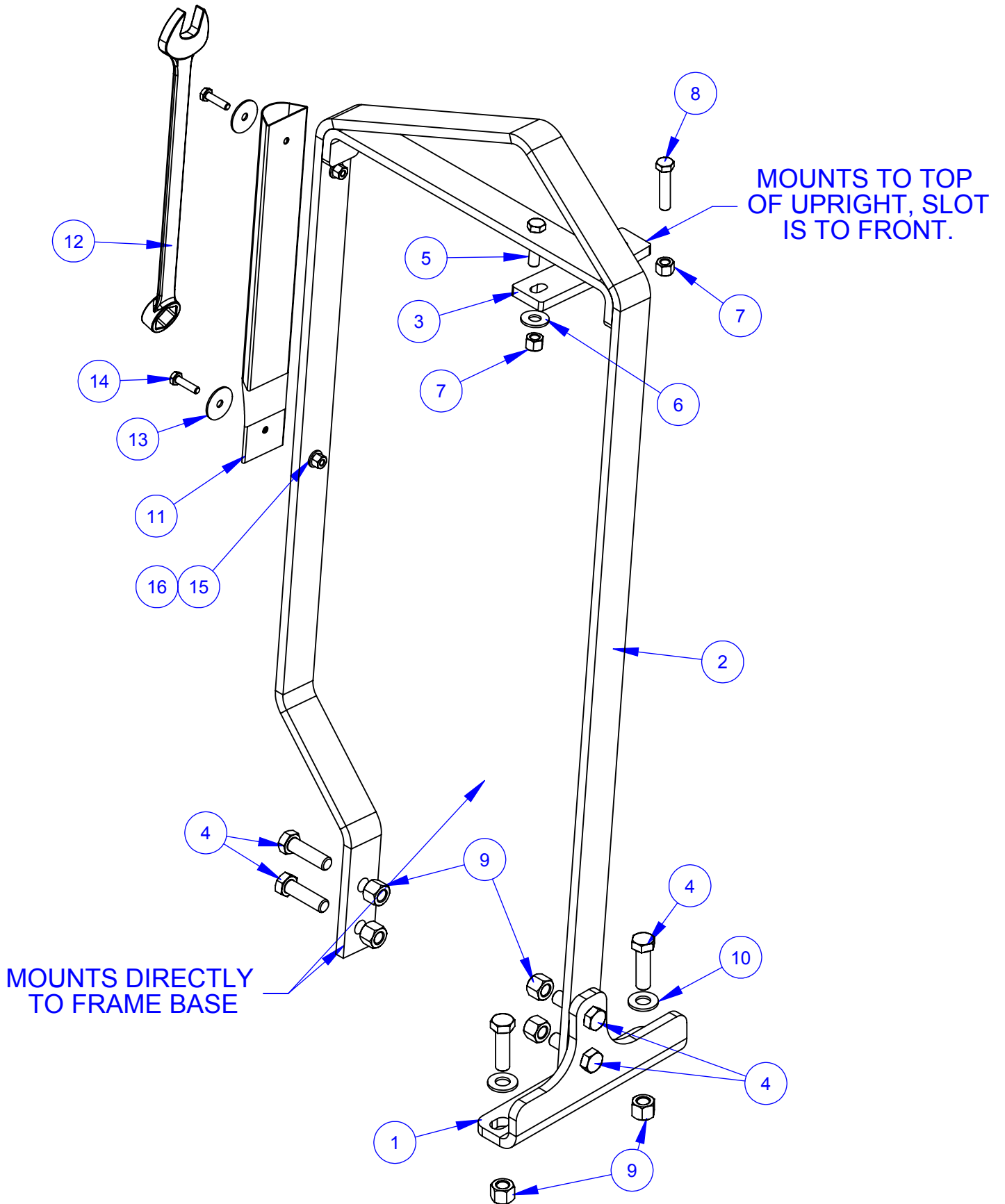
ITEM	PART NO.	QTY.	DESCRIPTION
1	2900142	10	Set Screw, Soc. Hd., 5/16-18 x 3/8"
2	6011008	1	Sheave, 3.65" x 6 Groove x 1-7/16" Bore
3	6011010	1	Sheave, 4.12" x 6 Groove x 1-3/4" Bore
4	2500792	12	V-Belt, 3VX400
5	2501872	1	V-Belt, 4L600W
6	2506454	1	Sheave, 3V x 8.0" x 6 Groove Taper Style
7	2506455	2	Taper Bushing, 1-1/2" w/Setscrews
8	6011458	1	Pulley, Accessory Drive
9	2500367	1	Sheave, 4.75 x 6 Groove Taper Style

6011724 30" Belt Drive Assembly



ITEM	PART NO.	QTY.	DESCRIPTION
1	2900142	14	Set Screw, Soc. Hd., 5/16-18 x 3/8"
2	6011008	1	Sheave, 3.65" x 6 Groove x 1-7/16" Bore
3	6011010	1	Sheave, 4.12" x 6 Groove x 1-3/4" Bore
4	2500792	12	V-Belt, 3VX400
5	2501872	1	V-Belt, 4L600W
6	2506454	1	Sheave, 3V x 8.0" x 6 Groove Taper Style
7	2506455	1	Taper Bushing, 1-1/2" w/Setscrews
8	6011458	1	Pulley, Accessory Drive
9	6012190	1	Sheave, 4.12" x 6 Groove x 1-1/2" Bore

Frame Lift Assembly #6011752

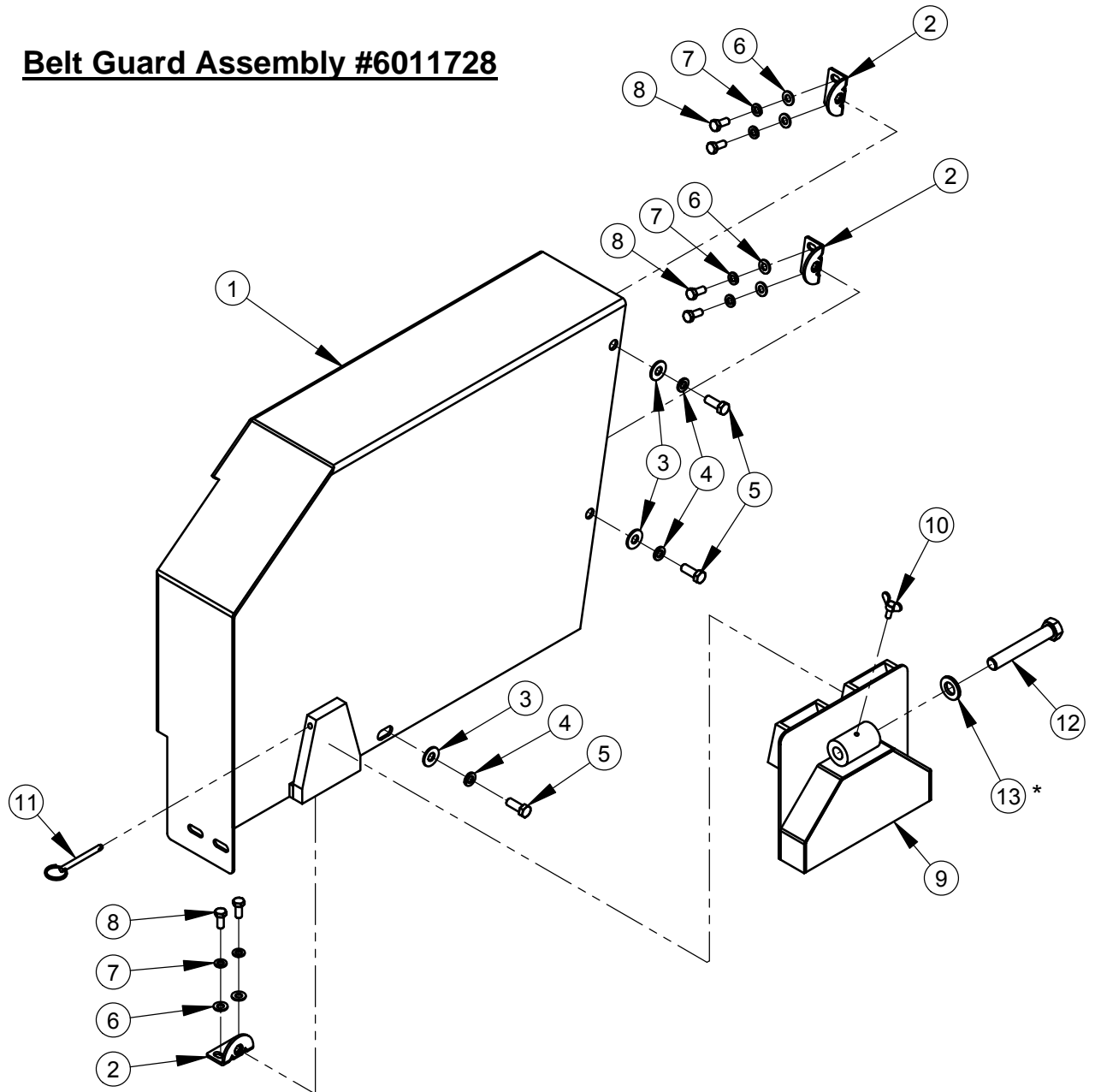


Frame Lift Assembly #6011752

ITEM	PART NO.	QTY.	DESCRIPTION
1	6011726	1	Frame Lift Mount
2	6011729	1	Frame Lift, CC3500J
3	6011730	1	Frame Lift Brace
4	2900139	6	Cap Screw, Hex Hd., 1/2-13 x 1-3/4"
5	2900029	1	Cap Screw, Hex Hd., 3/8-16 x 1-1/2"
6	2900473	1	Flat Washer, 3/8" USS
7	2900018	2	Locknut, 3/8-16, Nylon
8	2900047	1	Cap Screw, Hex Hd., 3/8-16 x 1-3/4"
9	2900026	6	Lock Nut, 1/2-13 Nylon
10	2900058	2	Flat Washer, 1/2" SAE
11	6017268	1	Wrench Sock
12	2503704	1	Wrench, 15/16" Combination
13	2900083	2	Fender Washer, 1/4" x 1-1/4"
14	2900008	2	Cap Screw, Hex Hd., 1/4-20 x 1"
15	2900009	2	Flat Washer, 1/4" SAE
16	2900010	2	Lock Nut, 1/4-20 Nylon

Intentionally Blank

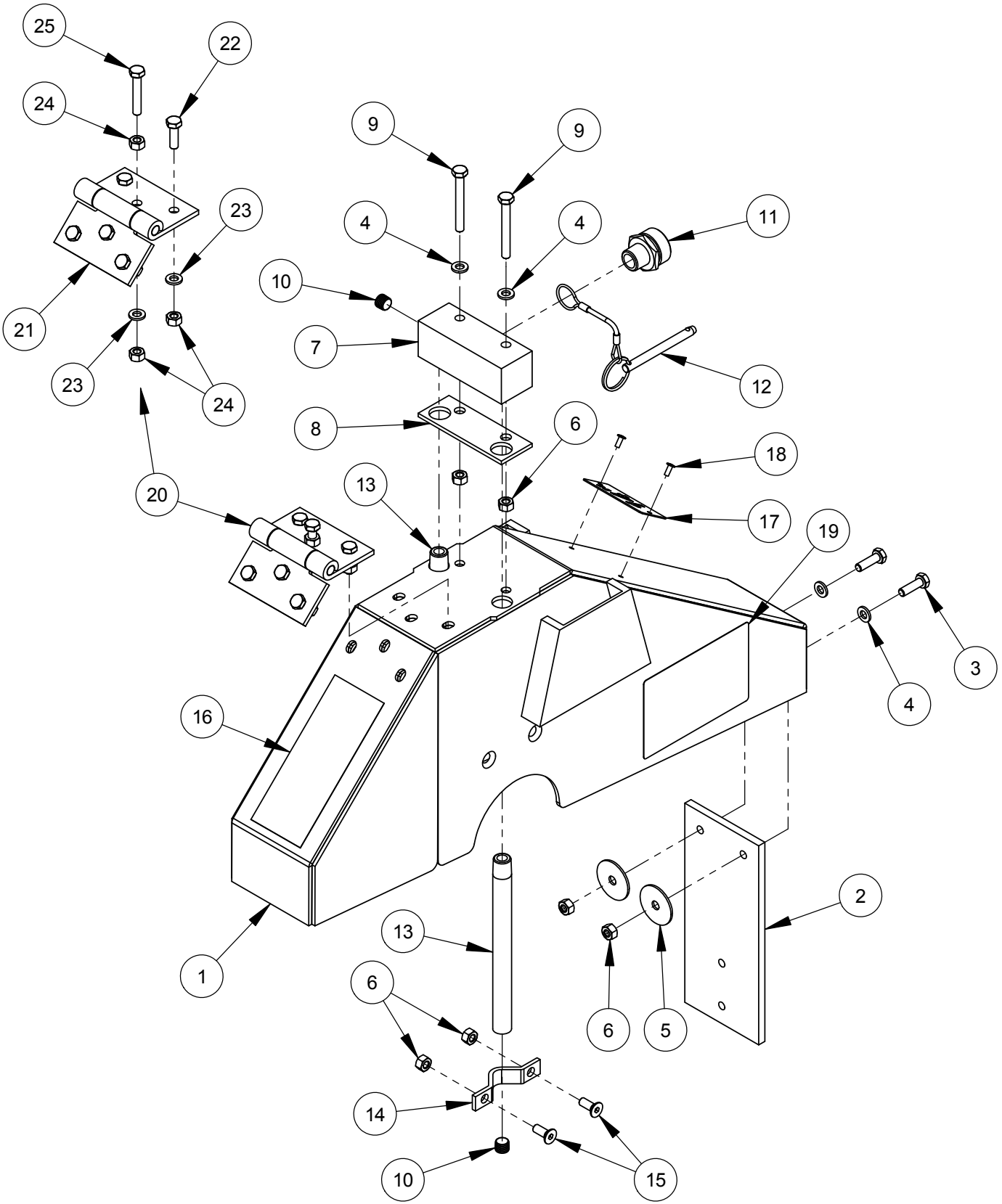
Belt Guard Assembly #6011728



ITEM	PART NO.	QTY.	DESCRIPTION
1	6011709	1	Guard, Engine Belt
2	6010558	3	Guard Mounting Tab, 3/8-16
3	2900473	3	Flat Washer, 3/8" USS
4	2900006	3	Lock Washer, 3/8" Split
5	2900005	3	Cap Screw, Hex Hd., 3/8-16 x 1"
6	2900022	6	Flat Washer, 5/16" SAE
7	2900031	6	Lock Washer, 5/16" Split
8	2900019	6	Cap Screw, Hex Hd., 5/16-18 x 3/4"
9	6010555	1	Shaft/Flange Guard (Narrow)
10	2900307	1	Wing Screw, M6 x 16mm
11	2900156	1	Lock Pin with Ring
12	2900146	1	Cap Screw, Hex Hd., 5/8-11 x 4"
13	2900412	1	Lock Washer, Wedge 5/8"

* See Note on Blade Shaft Assembly # 6011735 Page

14" Blade Guard Assembly #6010950

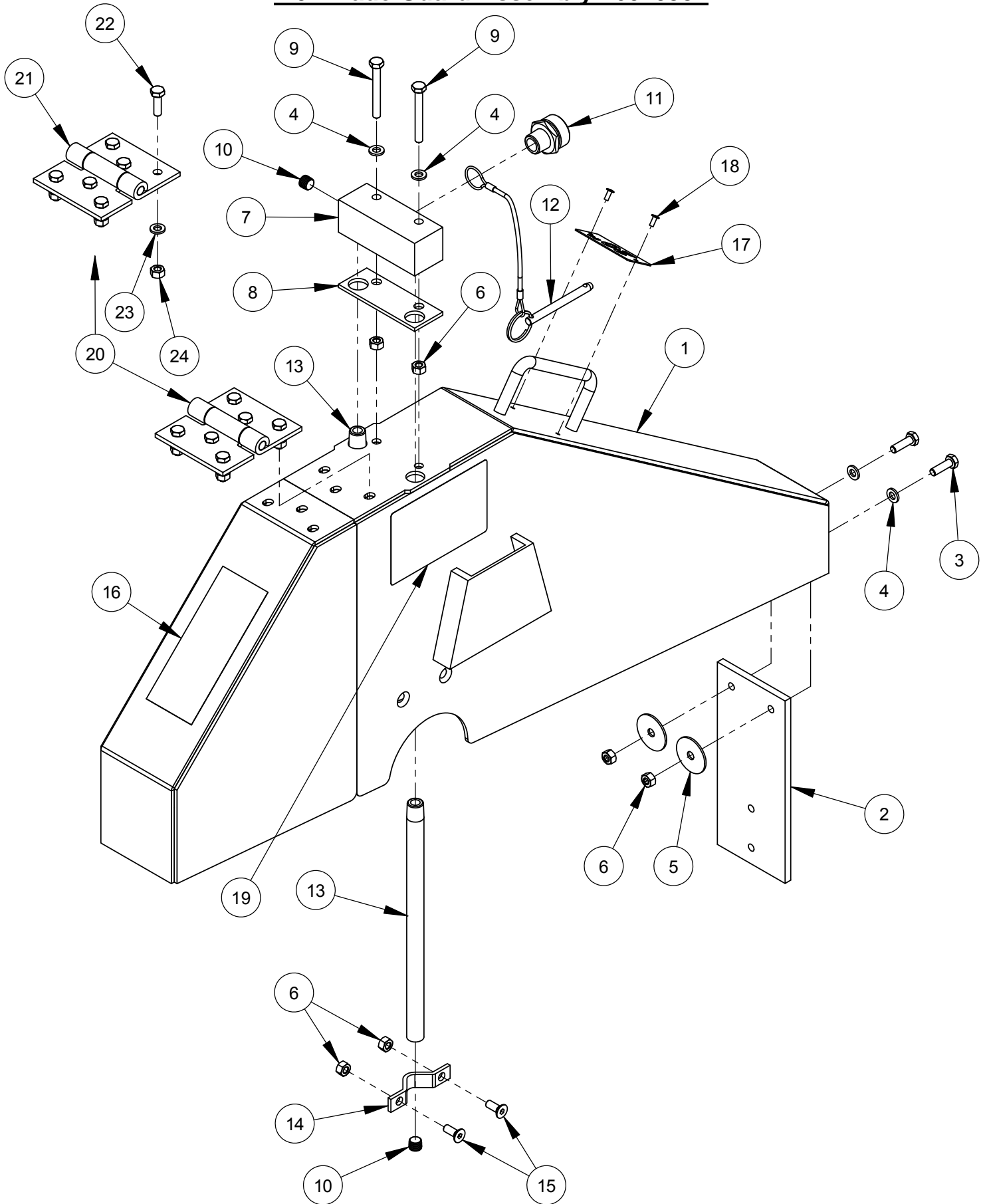


14" Blade Guard Assembly #6010950

ITEM	PART NO.	QTY.	DESCRIPTION
1	6010601	1	14" Blade Guard Front & Rear Only
2	6010081	1	Splash Flap
3	2900310	2	Cap Screw, Hex Hd., M6-1.0 x 20mm
4	2901494	4	Flat Washer, M6
5	2900083	2	Fender Washer, 1/4" x 1-1/4"
6	2900302	8	Lock Nut, M6-1.0 Nylon Insert
7	6010261	1	Water Manifold
8	2500830	1	Water Manifold Gasket
9	2901355	2	Cap Screw, Hex Hd., M6-1.0 x 50mm
10	3200001	3	Plug, 1/8" NPT
11	3200002	1	Fitting, 3/8" M. Pipe to 3/4" M. Garden
12	2900278	1	Lanyard with Lock Pin
13	6048283	2	Water Tube for 14" Guard
14	6048155	2	Water Tube Clamp
15	2900308	4	Cap Screw, Flat Hd., M6-1.0 x 16mm
16	1800001	1	Warning Label
17	1801369A	1	Blade Guard Size Tag
18	2900287	2	Rivet, 1/8" Dia.
19	1802090	2	Label, Wedge Locking Washer
20	6048026	1	Hinge Assembly

ITEM	PART NO.	QTY.	DESCRIPTION
21	2500270	1	Blade Guard Hinge
22	2900310	5	Cap Screw, Hex Hd., M6-1.0 x 20mm
23	2901494	6	Flat Washer, M6
24	2900302	7	Lock Nut, M6-1.0 Nylon Insert
25	2900312	1	Cap Screw, Hex Hd., M6-1.0 x 35mm

20" Blade Guard Assembly #6010952

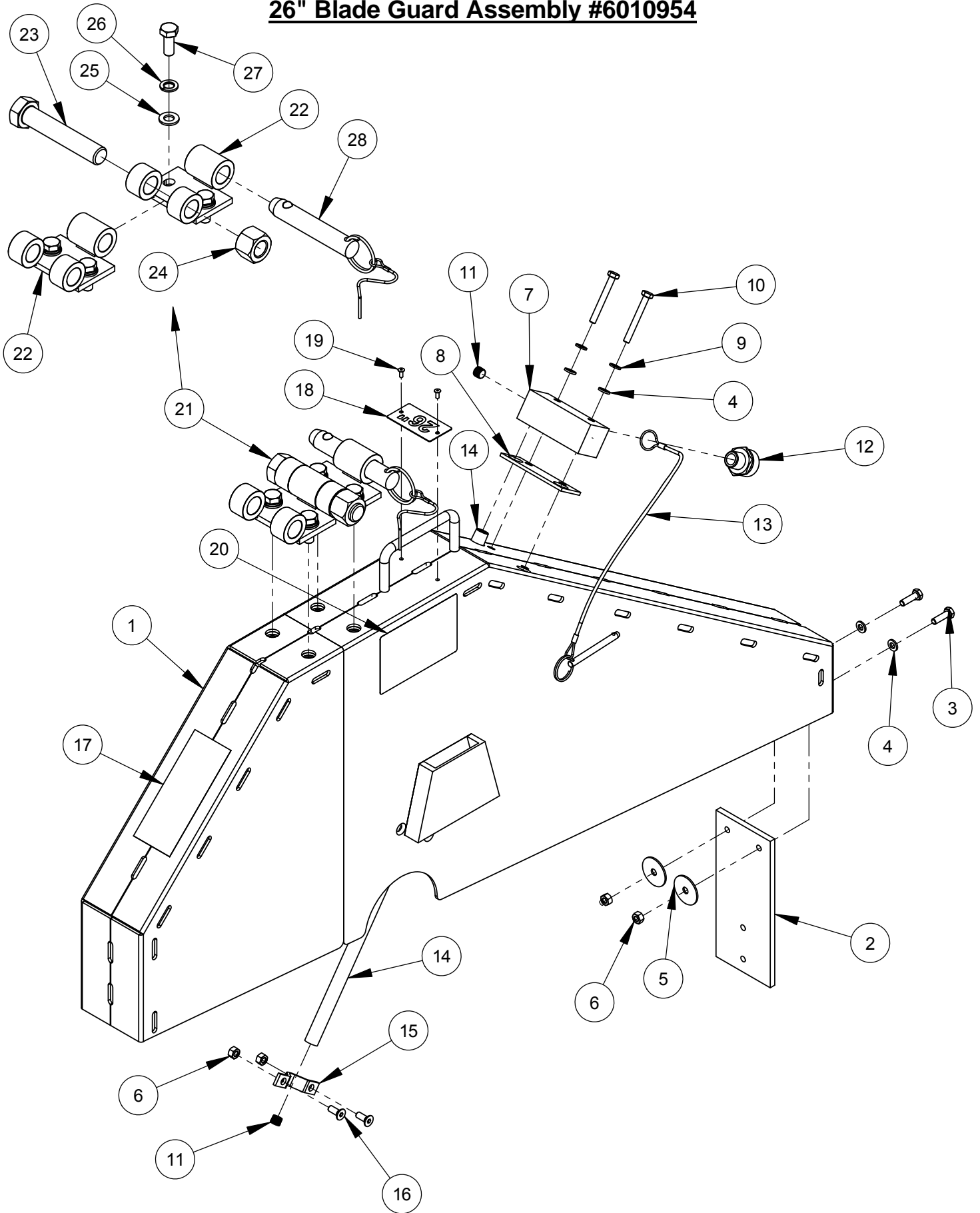


20" Blade Guard Assembly #6010952

ITEM	PART NO.	QTY.	DESCRIPTION
1	6010603	1	20" Blade Guard Front & Rear Only
2	6010081	1	Splash Flap
3	2900310	2	Cap Screw, Hex Hd., M6-1.0 x 20mm
4	2901494	4	Flat Washer, M6
5	2900083	2	Fender Washer, 1/4" x 1-1/4"
6	2900302	8	Lock Nut, M6-1.0 Nylon Insert
7	6010261	1	Water Manifold
8	2500830	1	Water Manifold Gasket
9	2901355	2	Cap Screw, Hex Hd., M6-1.0 x 50mm
10	3200001	3	Plug, 1/8" NPT
11	3200002	1	Fitting, 3/8" M. Pipe to 3/4" M. Garden
12	2900278	1	Lanyard with Lock Pin
13	6010085	2	Water Tube for 20" Guard
14	6048155	2	Water Tube Clamp
15	2900308	4	Cap Screw, Flat Hd., M6-1.0 x 16mm
16	1800001	1	Warning Label
17	1801369D	1	Blade Guard Size Tag
18	2900287	2	Rivet, 1/8" Dia.
19	1802090	2	Label, Wedge Locking Washer
20	6048027	1	Hinge Assembly

ITEM	PART NO.	QTY.	DESCRIPTION
21	2500270	1	Blade Guard Hinge
22	2900310	6	Cap Screw, Hex Hd., M6-1.0 x 20mm
23	2901494	6	Flat Washer, M6
24	2900302	6	Lock Nut, M6-1.0 Nylon Insert

26" Blade Guard Assembly #6010954

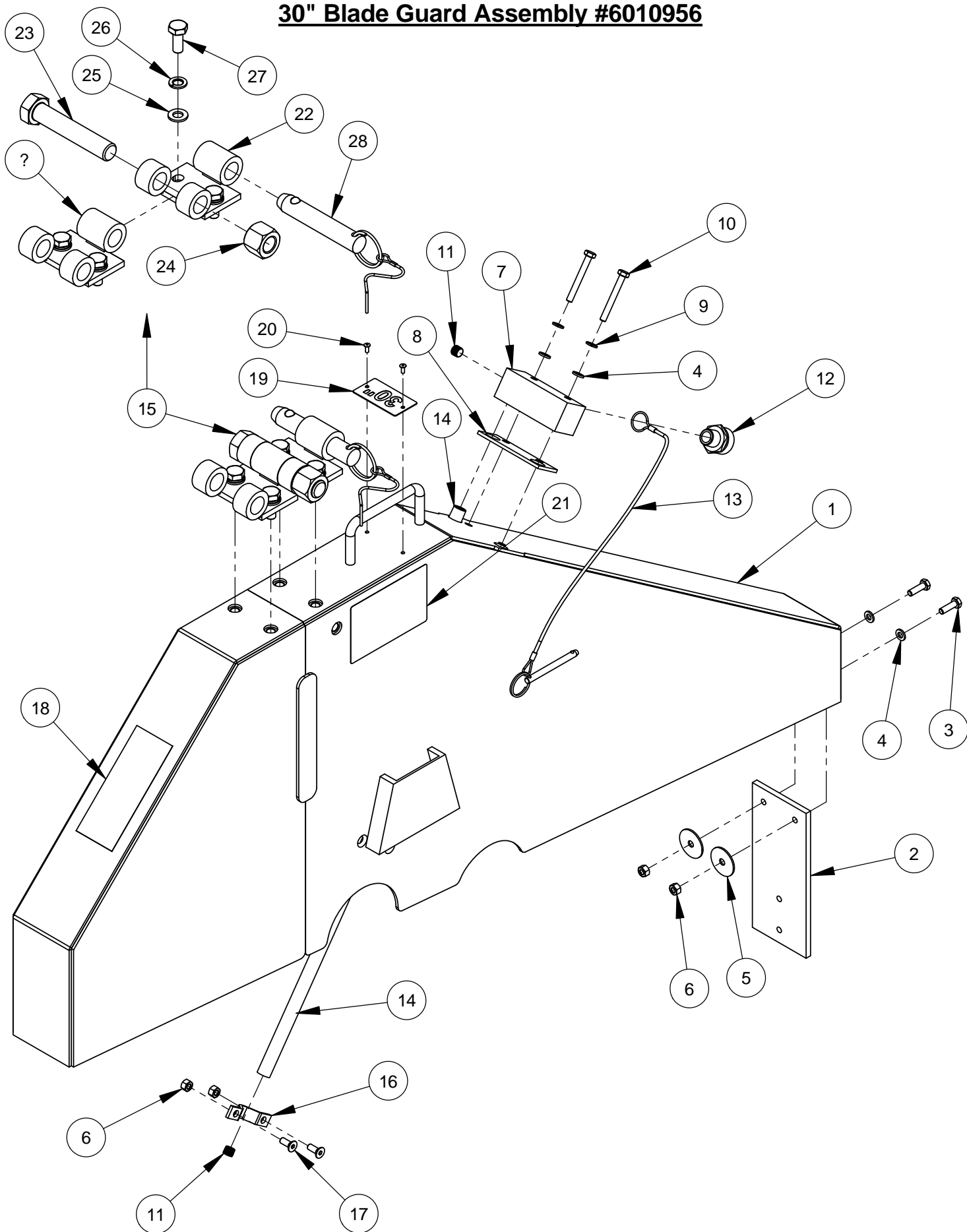


26" Blade Guard Assembly #6010954

ITEM	PART NO.	QTY.	DESCRIPTION
1	6010955	1	26" Blade Guard Front & Rear Only
2	6010081	1	Splash Flap
3	2900310	2	Cap Screw, Hex Hd., M6-1.0 x 20mm
4	2901494	4	Flat Washer, M6
5	2900083	2	Fender Washer, 1/4" x 1-1/4"
6	2900302	6	Lock Nut, M6-1.0 Nylon Insert
7	6010261	1	Water Manifold
8	2500830	1	Water Manifold Gasket
9	2900765	2	Lock Washer, M6 Split
10	2901355	2	Cap Screw, Hex Hd., M6-1.0 x 50mm
11	3200001	3	Plug, 1/8" NPT
12	3200002	1	Fitting, 3/8" M. Pipe to 3/4" M. Garden
13	2900279	1	Lanyard with Lock Pin
14	6010086	2	Water Tube for 26" Guard
15	6048155	2	Water Tube Clamp
16	2900308	4	Cap Screw, Flat Hd., M6-1.0 x 16mm
17	1800001	1	Warning Label
18	1801369F	1	Blade Guard Size Tag
19	2900287	2	Rivet, 1/8" Dia.
20	1802090	2	Label, Wedge Locking Washer
21	6010873	1	Universal Hinge Assembly

ITEM	PART NO.	QTY	DESCRIPTION
22	6010871	2	Hinge Weldment, Universal
23	2900479	1	Cap Screw, Hex Hd., 3/4-10 x 4"
24	2900467	1	Lock Nut, 3/4-10 Nylon
25	2901356	4	Flat Washer, M10
26	2900321	4	Lock Washer, M10 Split
27	2900333	4	Cap Screw, Hex Hd., M10-1.5 x 25mm
28	2503824	1	Detent Pin, 3/4" x 3" Grip

30" Blade Guard Assembly #6010956

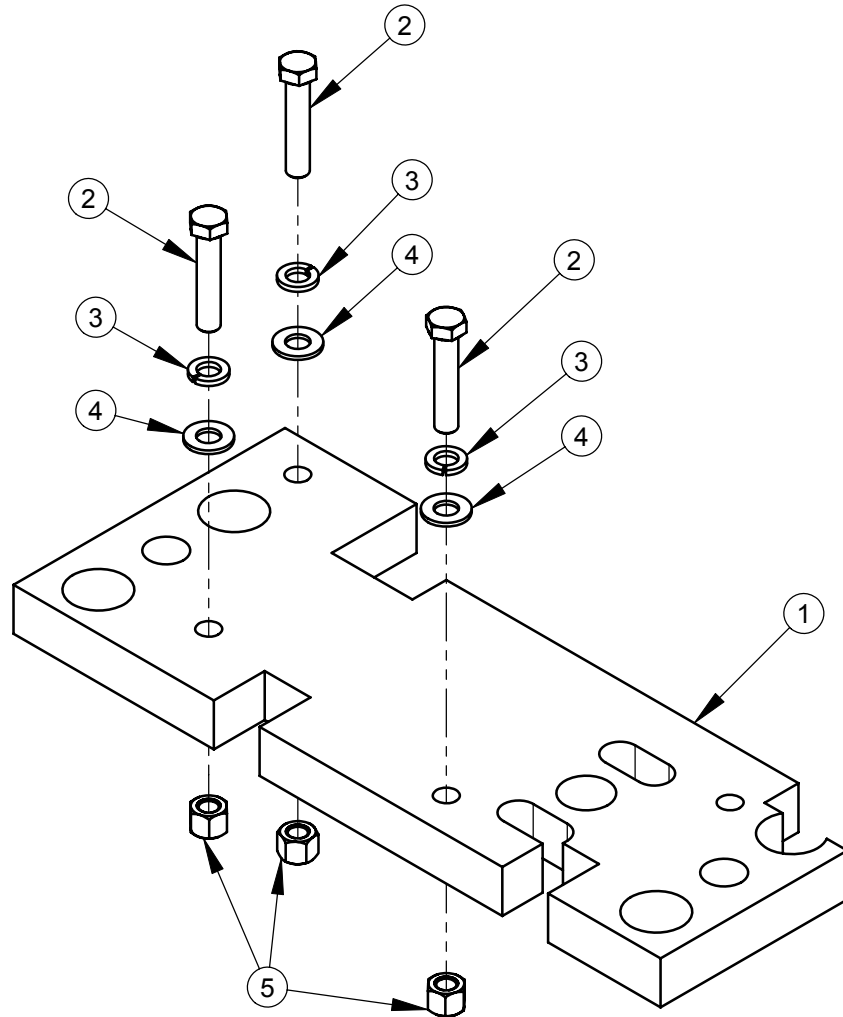


30" Blade Guard Assembly #6010956

ITEM	PART NO.	QTY.	DESCRIPTION
1	6010957	1	30" Blade Guard Front & Rear Only
2	6010081	1	Splash Flap
3	2900310	2	Cap Screw, Hex Hd., M6-1.0 x 20mm
4	2901494	4	Flat Washer, M6
5	2900083	2	Fender Washer, 1/4" x 1-1/4"
6	2900302	6	Lock Nut, M6-1.0 Nylon Insert
7	6010261	1	Water Manifold
8	2500830	1	Water Manifold Gasket
9	2900765	2	Lock Washer, M6 Split
10	2901355	2	Cap Screw, Hex Hd., M6-1.0 x 50mm
11	3200001	3	Plug, 1/8" NPT
12	3200002	1	Fitting, 3/8" M. Pipe to 3/4" M. Garden
13	2900279	1	Lanyard with Lock Pin
14	6010087	2	Water Tube for 30" Guard
15	6010873	1	Universal Hinge Assembly
16	6048155	2	Water Tube Clamp
17	2900308	4	Cap Screw, Flat Hd., M6-1.0 x 16mm
18	1800001	1	Warning Label
19	1801369G	1	Blade Guard Size Tag
20	2900287	2	Rivet, 1/8" Dia.
21	1802090	2	Label, Wedge Locking Washer

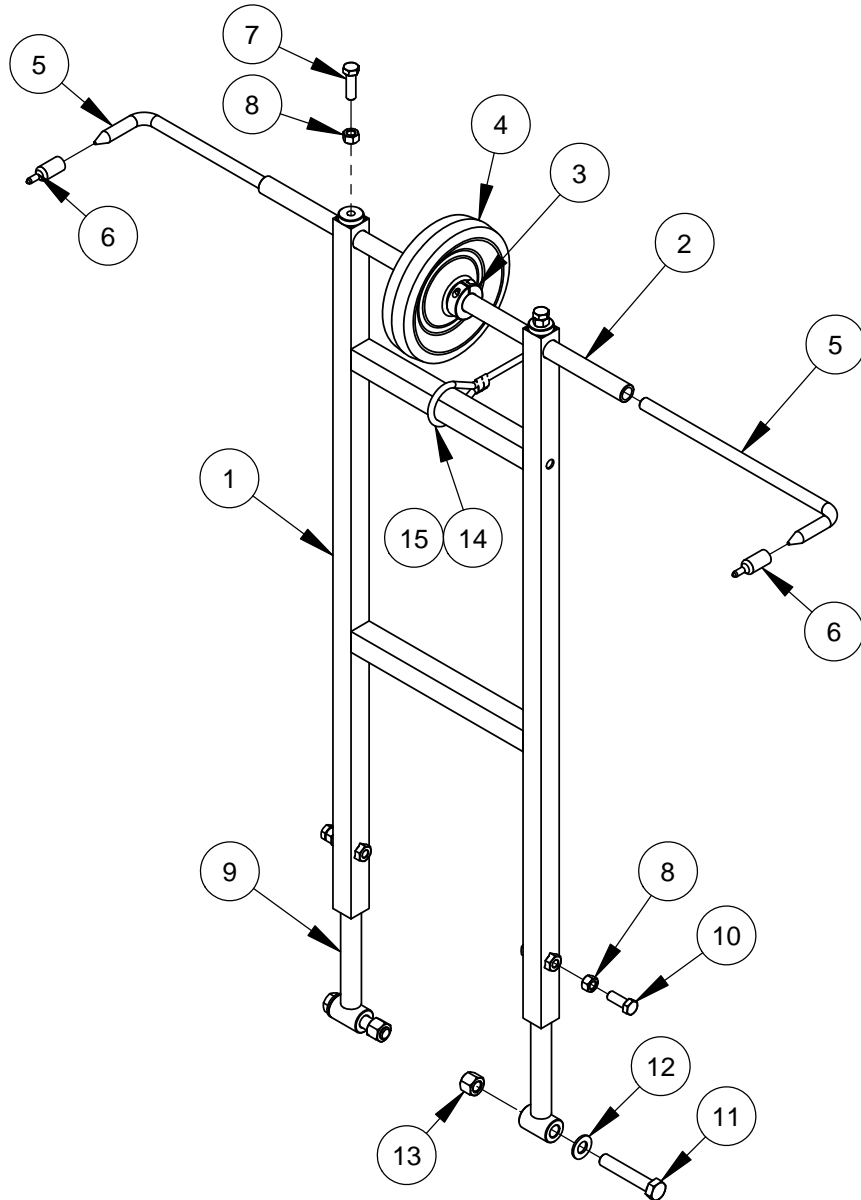
ITEM	PART NO.	QTY	DESCRIPTION
22	6010871	2	Hinge Weldment, Universal
23	2900479	1	Cap Screw, Hex Hd., 3/4-10 x 4"
24	2900467	1	Lock Nut, 3/4-10 Nylon
25	2901356	4	Flat Washer, M10
26	2900321	4	Lock Washer, M10 Split
27	2900333	4	Cap Screw, Hex Hd., M10-1.5 x 25mm
28	2503824	1	Detent Pin with Lanyard

Blade Shaft Weight Assembly #6011720



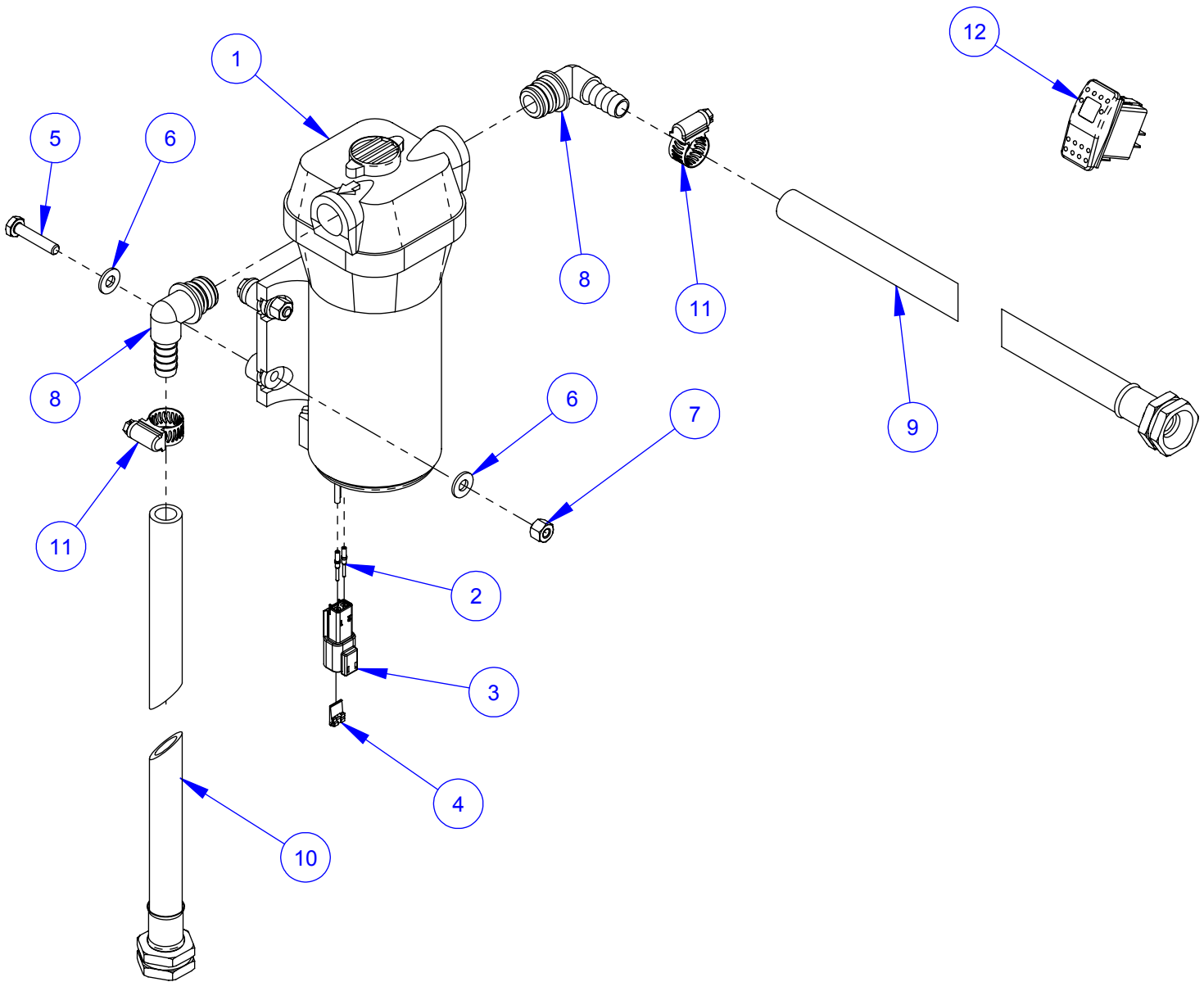
ITEM	PART NO.	QTY.	DESCRIPTION
1	6011716	1	Blade Shaft Weight
2	2900811	3	Cap Screw, Hex Hd., 1/2-13 x 2-1/2"
3	2900084	3	Lock Washer, 1/2" Split
4	2900058	3	Flat Washer, 1/2" SAE
5	2900026	3	Lock Nut, 1/2-13 Nylon

Dual Front Pointer Assembly #6011540



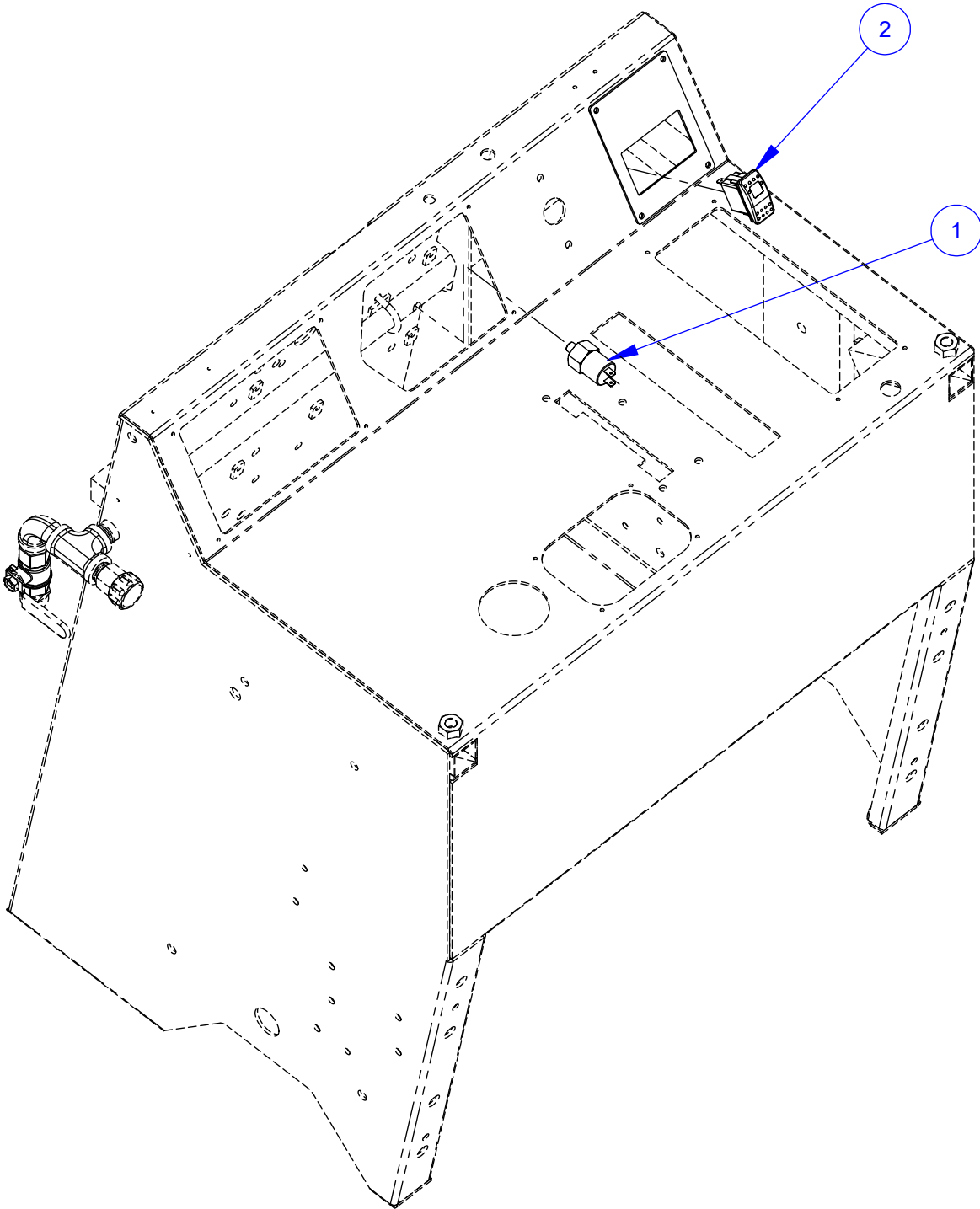
ITEM	PART NO.	QTY.	DESCRIPTION
1	6011537	1	Front Pointer Frame
2	6011539	1	Pointer Tube, 20"
3	2504577	2	Shaft Collar, 3/4" Split
4	2504581	1	Wheel, 6"
5	6011535	2	Front Pointer Rod, 11"
6	2500740	2	Pointer Cap
7	2900013	2	Cap Screw, Hex Hd., 3/8-16 x 1-1/4"
8	2900033	4	Hex Nut, 3/8-16
9	6011152	2	Front Pointer Arm
10	2900005	2	Cap Screw, Hex Hd., 3/8-16 x 1"
11	2900105	2	Cap Screw, Hex Hd., 1/2-13 x 2-3/4"
12	2900239	2	Friction Washer, 1/2"
13	2900026	2	Lock Nut, 1/2-13 Nylon
14	6017241	1	Pointer Rope 11 Foot
15	3200221	2	Pinch Clamp, Two Ear

Water Pump Assembly #6011815



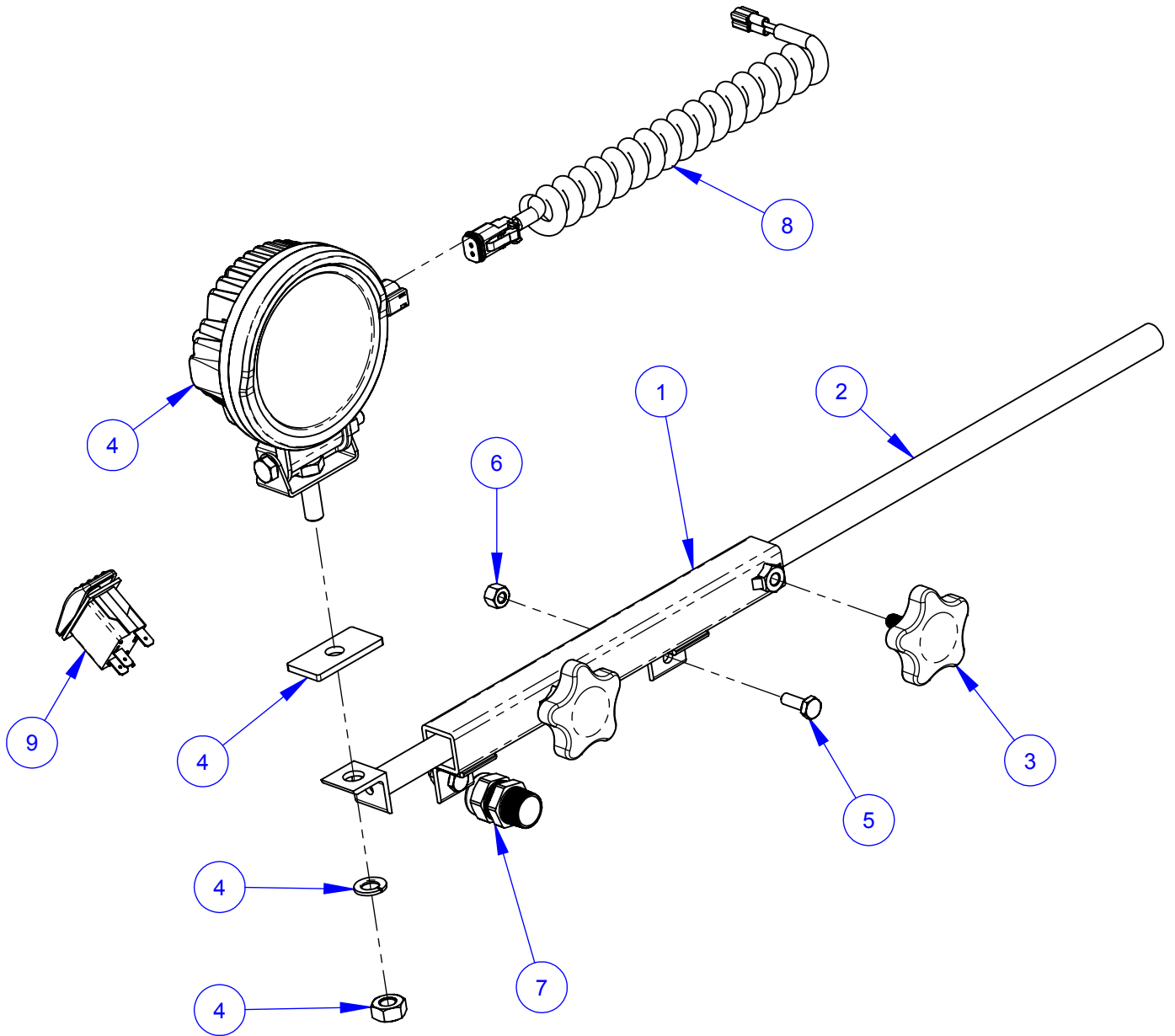
ITEM	PART NO.	QTY.	DESCRIPTION
1	2600200	1	Water Pump, 12V Diaphragm
2	2704667	2	Pin Terminal 16-20 AWG
3	2808060	1	Deutsch Receptacle 2 Way
4	2801057	1	Wedge, Receptacle 2 Way
5	2900052	4	Cap Screw, Hex Hd., 1/4-20 x 1-1/4"
6	2900009	8	Flat Washer, 1/4" SAE
7	2900010	4	Lock Nut, 1/4-20 Nylon
8	2701694	2	Port Fitting, 1/2" Barb x 90 Degree
9	6010302	1	Water Hose Assembly, 1/2" x 48"
10	6010303	1	Water Hose Assembly, 1/2" x 60"
11	3200016	2	Hose Clamp #8
12	2800808	1	Rocker Switch

Optional Water Safety Switch Assembly #6047932B



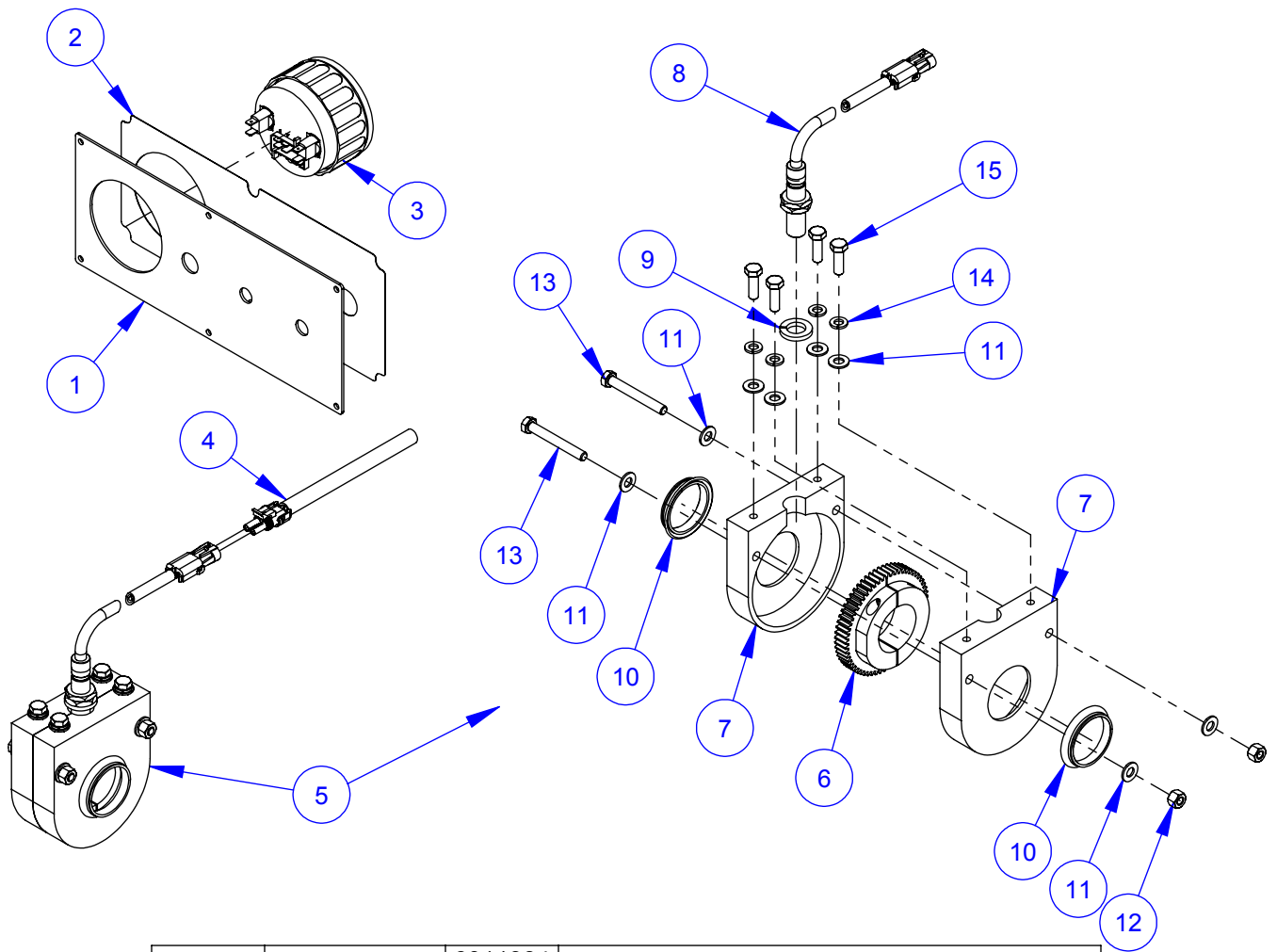
ITEM	PART NO.	QTY.	DESCRIPTION
1	2800060	1	Water Pressure Switch
2	2800808	1	Rocker Switch

Optional Spot Light Assembly #6058020



ITEM	PART NO.	QTY.	DESCRIPTION
1	6011486	1	Light Bar Mount Bracket CC3500J
2	6010106	1	Light Bar
3	2504922	2	Hand Lock Knob, 5/16-18 x 3/4"
4	6016224	1	Light, 12 Volt LED Spot
5	2900144	2	Cap Screw, Hex Hd., 1/4-20 x 3/4"
6	2900010	2	Lock Nut, 1/4-20 Nylon
7	2800623	1	Cord Grip, 1/2" NPT Nylon
8	6016225	1	Coiled Light Cord (1 Foot)
9	2800808	1	Rocker Switch

Optional Shaft Tachometer Assembly #6011384B

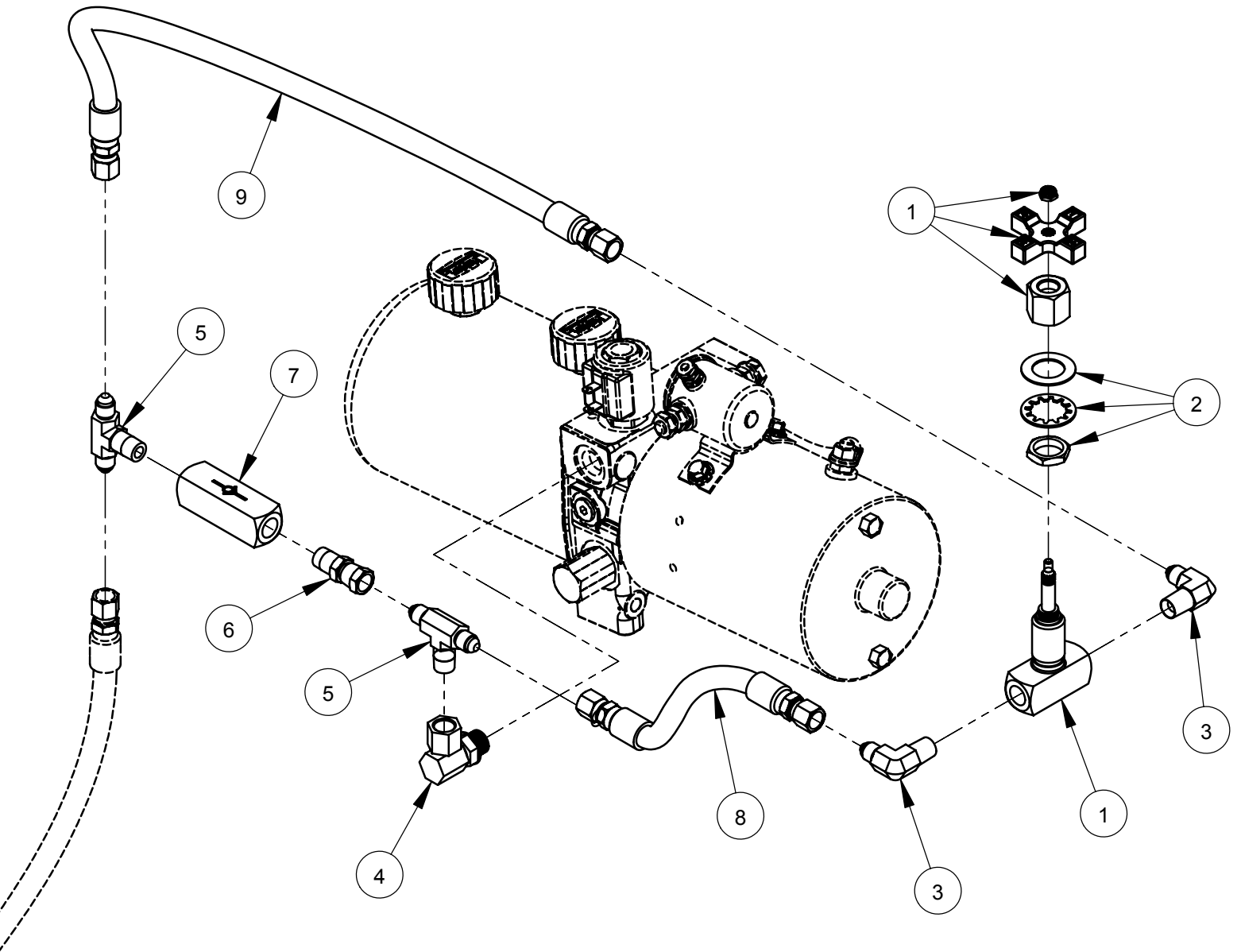


ITEM	PART NO.	6011384 B/QTY.	DESCRIPTION
1	6011820	1	Gauge Panel
2	1803094	1	Instrument Panel Decal
3	6010416	1	Tach/Hour Meter (VDO) Calibrated 60
4	2800397	1	Tach Sensor Wire Harness
5	6011421	1	Shaft Tach Gear Assembly

ITEM	PART NO.	QTY.	DESCRIPTION
6	6010230	1	Shaft Tach Gear, Split
7	6010669	2	Shaft Tach Gear Guard
8	2800169	1	Magnetic Speed Sensor
9	2900113	1	Lock Washer, 5/8" Split
10	2501752	2	Seal, 1-3/4" V-Ring
11	2900022	8	Flat Washer, 5/16" SAE
12	2900039	2	Lock Nut, 5/16-18 Nylon
13	2900726	2	Cap Screw, Hex Hd., 5/16-18 x 2-1/2"
14	2900031	4	Lock Washer, 5/16" Split
15	2900138	4	Cap Screw, Hex Hd., 5/16-18 x 1"

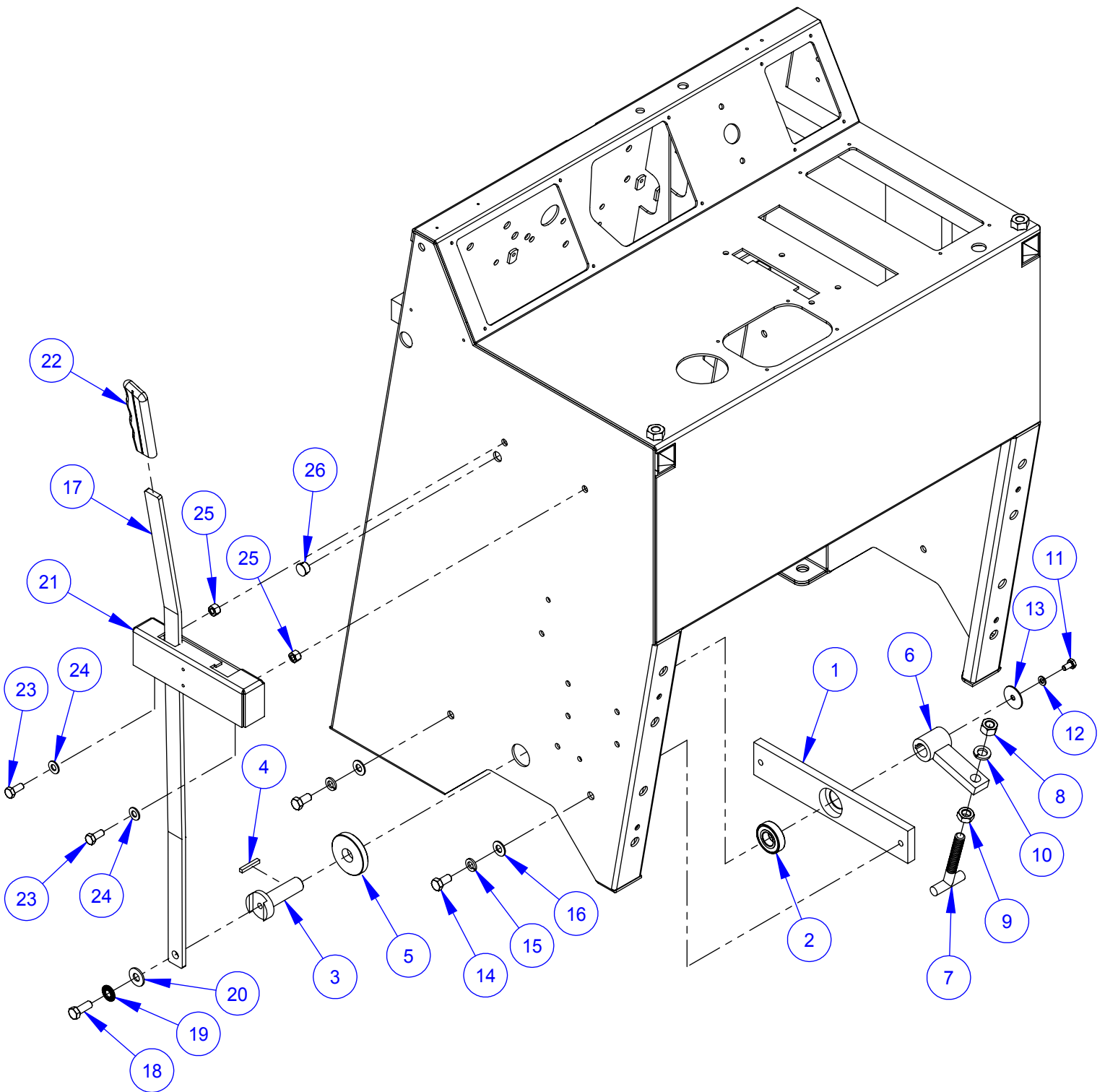
Intentionally Blank

Optional Lowering Speed Metering Valve Assembly #6010227



ITEM	PART NO.	QTY.	DESCRIPTION
1	3200211	1	Valve, 1/4" Metering
2	3200212	1	Panel Mounting Kit
3	3200057	2	Elbow, 1/4" M. Pipe to 1/4" M. JIC
4	3200115	1	Elbow, 3/8" O-Ring to 1/4" F. Pipe
5	3200213	2	Tee, 1/4" M. JIC to 1/4" M. Pipe
6	3200219	1	Adapter, 1/4" M. Pipe to 1/4" F. JIC
7	3200218	1	Check Valve
8	6010247	1	Hose Assembly, 8" Long
9	6010248	1	Hose Assembly, 20" Long

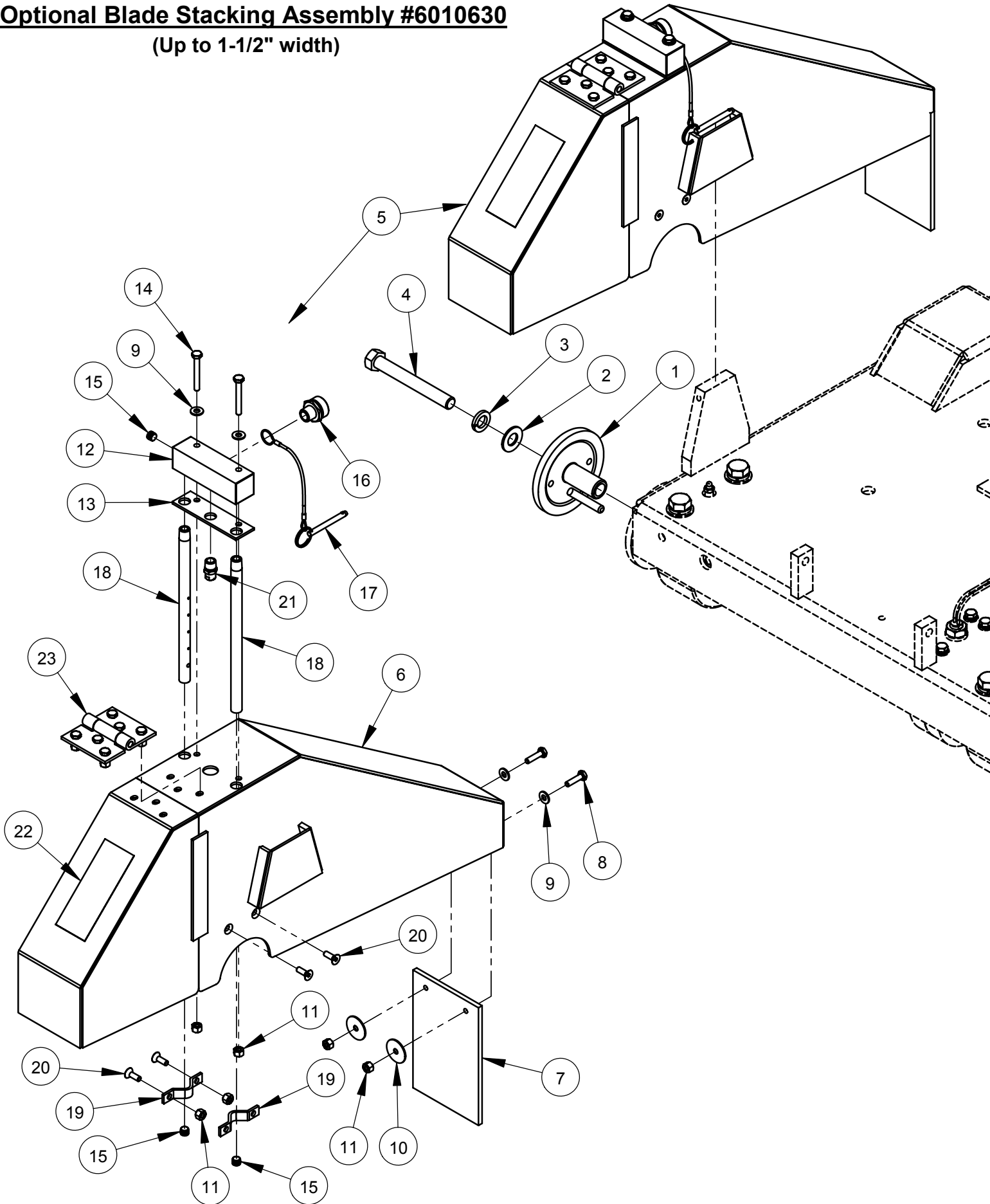
Parking Brake Assembly #6011228



Parking Brake Assembly #6011228

ITEM	PART NO.	QTY.	DESCRIPTION
1	6011229	1	Bearing Housing Bar
2	2501664	1	Ball Bearing, 3/4" x 1-5/8" x 7/16"
3	6011230	1	Pivot Pin
4	6048229	1	Key, 3/16" Sq. x 1-1/4"
5	6011234	1	Friction Disc, 3/4" x 2-1/4" x 3/8"
6	6011674	1	Pivot Arm
7	2900632	1	T-Bolt, 1/2-13
8	2900037	1	Hex Nut, 1/2-13
9	2900129	1	Jam Nut, 1/2-13
10	2901534	1	Lock Washer, 1/2" Split, GR8
11	2900082	1	Cap Screw, Hex Hd., 1/4-20 x 1/2"
12	2900024	1	Lock Washer, 1/4" Split
13	2900083	1	Fender Washer, 1/4" x 1-1/4"
14	2900196	2	Cap Screw, Hex Hd., 3/8-16 x 3/4"
15	2900006	2	Lock Washer, 3/8" Split
16	2900014	2	Flat Washer, 3/8" SAE
17	6011232	1	Brake Lever
18	2900005	1	Cap Screw, Hex Hd., 3/8-16 x 1"
19	2900474	1	Belleville Washer
20	2900473	1	Flat Washer, 3/8" USS
21	6011233	1	Lever Gate
22	2500002	1	Lever Grip
23	2900019	2	Cap Screw, Hex Hd., 5/16-18 x 3/4"
24	2900022	2	Flat Washer, 5/16" SAE
25	2900039	2	Lock Nut, 5/16-18 Nylon
26	2503783	1	Plug, 9/16" Hole

Optional Blade Stacking Assembly #6010630
(Up to 1-1/2" width)

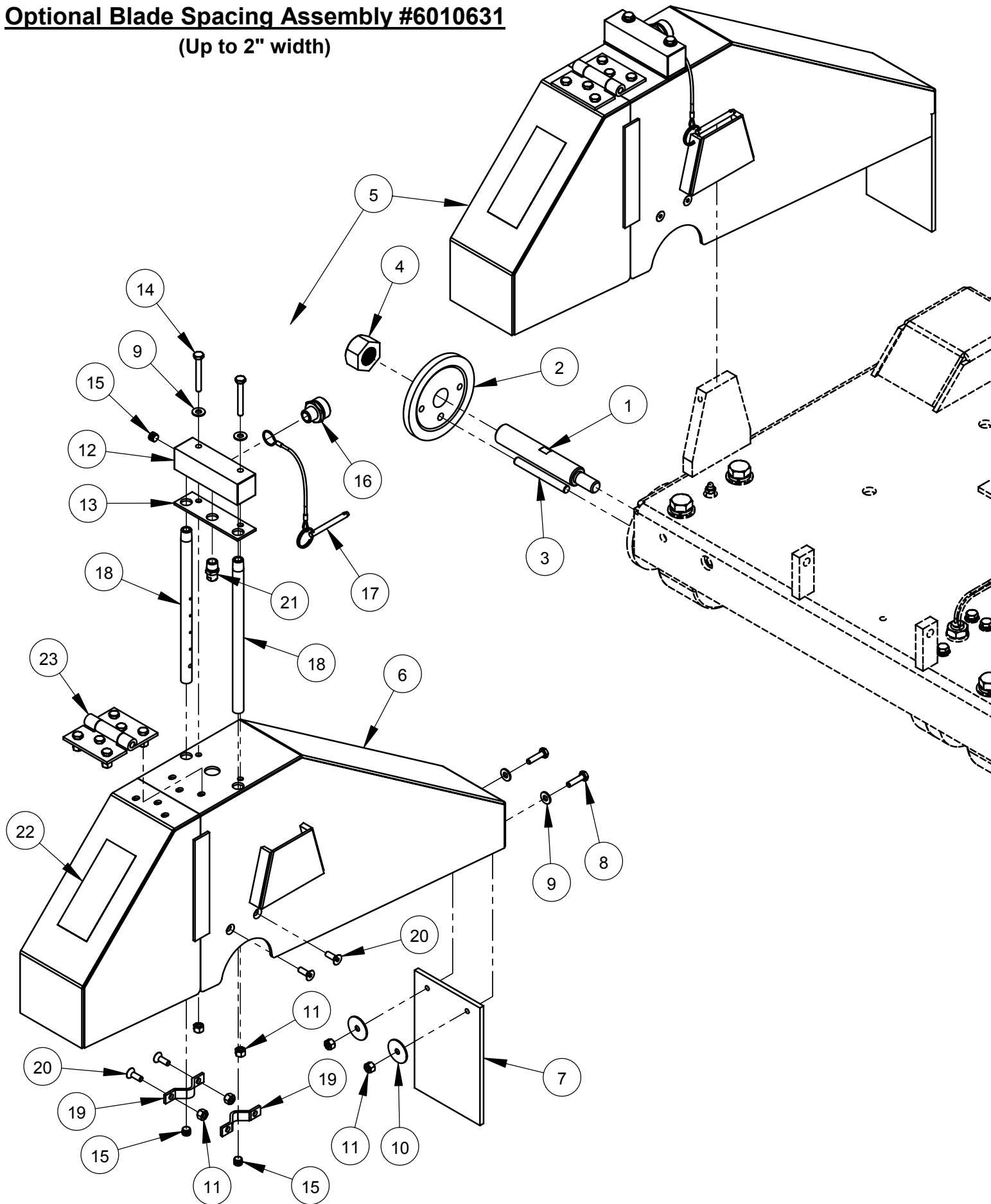


Optional Blade Stacking Assembly #6010630
(Up to 1-1/2" width)

ITEM	PART NO.	QTY.	DESCRIPTION
1	6010159	1	Outer Flange 4-1/2" with Pin
2	2900002	1	Flat Washer, 5/8" SAE
3	2900113	1	Lock Washer, 5/8" Split
4	2900210	1	Cap Screw, Hex Hd., 5/8"-11 x 5" LH
5	6010620	1	20" Wide Blade Guard Assembly

ITEM	PART NO.	QTY.	DESCRIPTION
6	6010621	1	20" Wide Blade Guard Front & Rear Only
7	6010296	1	Splash Flap
8	2900008	2	Cap Screw, Hex Hd., 1/4-20 x 1"
9	2900009	4	Flat Washer, 1/4" SAE
10	2900083	2	Fender Washer, 1/4" x 1-1/4"
11	2900010	8	Lock Nut, 1/4-20 Nylon
12	6010288	1	Water Manifold
13	2500988	1	Water Manifold Gasket
14	2900294	2	Cap Screw, Hex Hd., 1/4-20 x 2"
15	3200001	3	Plug, 1/8" NPT
16	3200002	1	Fitting, 3/8" M. Pipe to 3/4" M. Garden
17	2900278	1	Lanyard with Lock Pin
18	6010085	2	Water Tube for 20" Guard
19	6048155	2	Water Tube Clamp
20	2900020	4	Cap Screw, Flat Hd., 1/4-20 x 3/4"
21	3200208	1	Nozzle, 1/4" NPT
22	1800001	1	Warning Label
23	6010251	1	Hinge Assembly for 20" Guard

Optional Blade Spacing Assembly #6010631
(Up to 2" width)

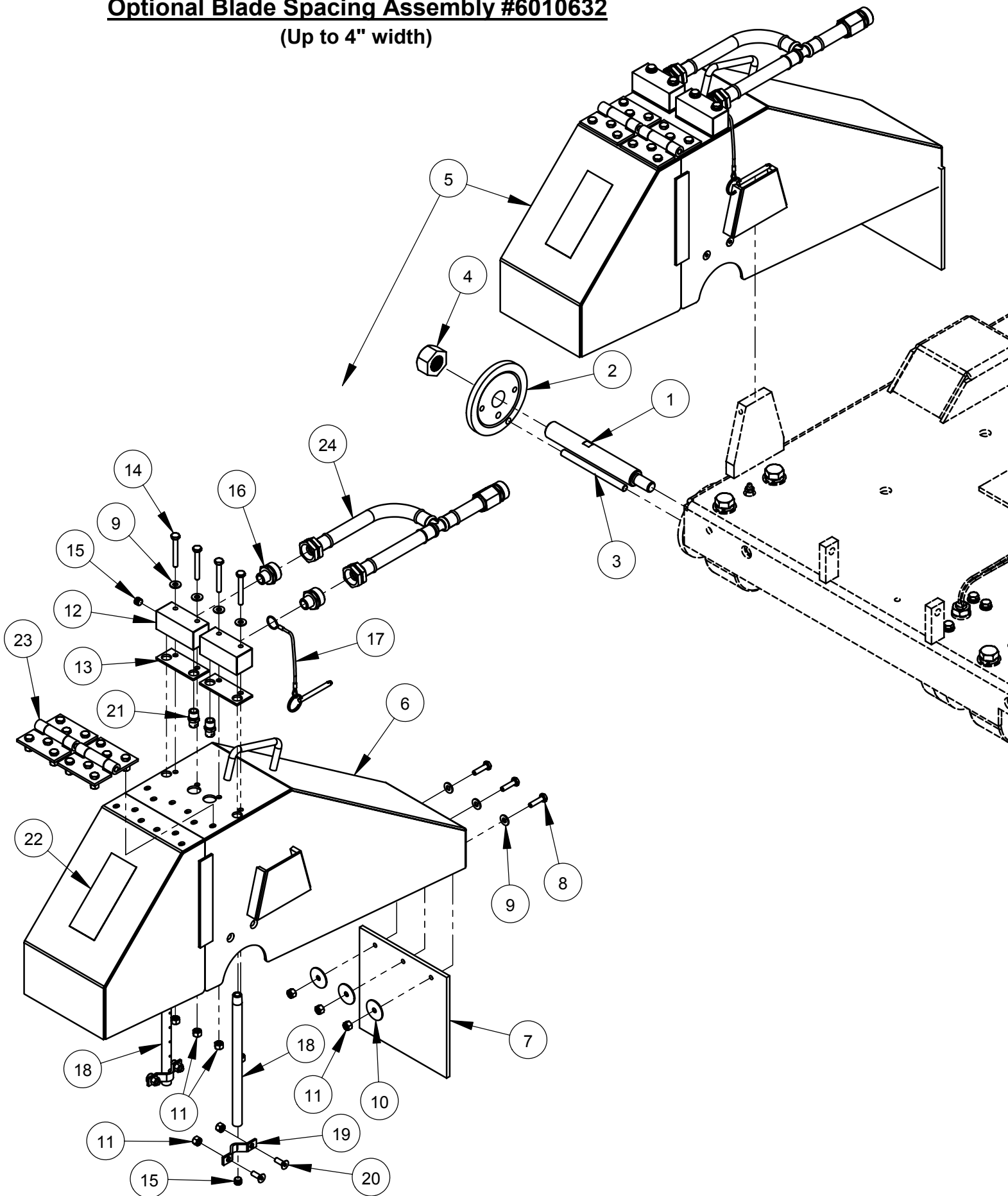


Optional Blade Spacing Assembly #6010631
(Up to 2" width)

ITEM	PART NO.	QTY.	DESCRIPTION
1	6010186	1	Blade Shaft Extension, Left Hand Thread
2	6010187	1	Outer Flange 4-1/2"
3	2900218	1	Dowel Pin, 3/8" Dia. x 3-1/2"
4	2900212	1	Hex Nut, 1"-14 Left Hand
5	6010620	1	20" Wide Blade Guard Assembly

ITEM	PART NO.	QTY.	DESCRIPTION
6	6010621	1	20" Wide Blade Guard Front & Rear Only
7	6010296	1	Splash Flap
8	2900008	2	Cap Screw, Hex Hd., 1/4-20 x 1"
9	2900009	4	Flat Washer, 1/4" SAE
10	2900083	2	Fender Washer, 1/4" x 1-1/4"
11	2900010	8	Lock Nut, 1/4-20 Nylon
12	6010288	1	Water Manifold
13	2500988	1	Water Manifold Gasket
14	2900294	2	Cap Screw, Hex Hd., 1/4-20 x 2"
15	3200001	3	Plug, 1/8" NPT
16	3200002	1	Fitting, 3/8" M. Pipe to 3/4" M. Garden
17	2900278	1	Lanyard with Lock Pin
18	6010085	2	Water Tube for 20" Guard
19	6048155	2	Water Tube Clamp
20	2900020	4	Cap Screw, Flat Hd., 1/4-20 x 3/4"
21	3200208	1	Nozzle, 1/4" NPT
22	1800001	1	Warning Label
23	6010251	1	Hinge Assembly for 20" Guard

Optional Blade Spacing Assembly #6010632
(Up to 4" width)

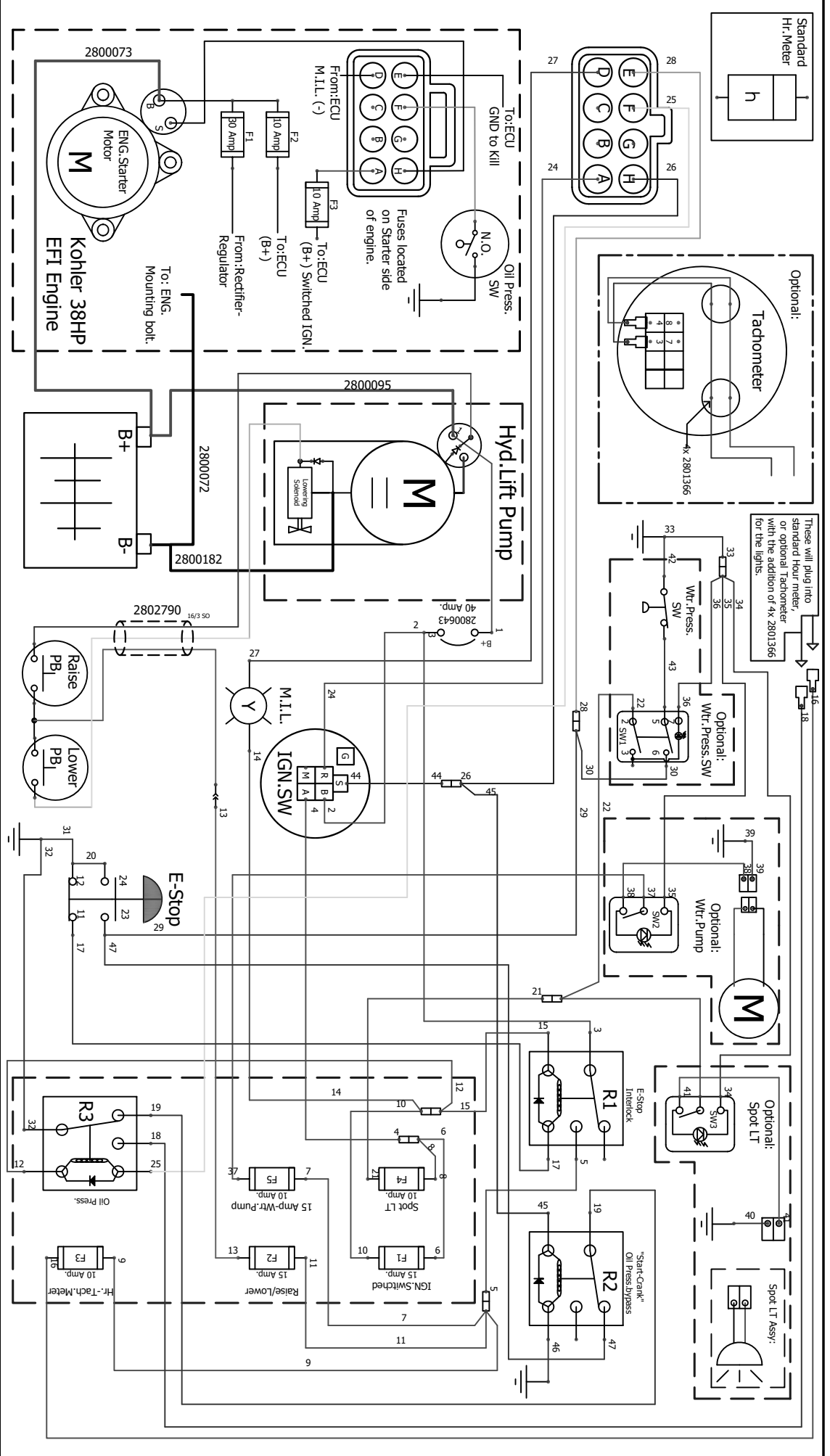


Optional Blade Spacing Assembly #6010632
(Up to 4" width)

ITEM	PART NO.	QTY.	DESCRIPTION
1	6010309	1	Blade Shaft Extension, Left Hand Thread
2	6010187	1	Outer Flange 4-1/2"
3	6010359	1	Drive Pin, 3/8" Dia. x 5"
4	2900212	1	Hex Nut, 1"-14 Left Hand
5	6010622	1	20" Wide Blade Guard Assembly

ITEM	PART NO.	QTY.	DESCRIPTION
6	6010623	1	20" Wide Blade Guard Front & Rear Only
7	6010366	1	Splash Flap
8	2900008	3	Cap Screw, Hex Hd., 1/4-20 x 1"
9	2900009	7	Flat Washer, 1/4" SAE
10	2900083	3	Fender Washer, 1/4" x 1-1/4"
11	2900010	11	Lock Nut, 1/4-20 Nylon
12	6048123	2	Water Manifold
13	2500829	2	Water Manifold Gasket
14	2900294	4	Cap Screw, Hex Hd., 1/4-20 x 2"
15	3200001	4	Plug, 1/8" NPT
16	3200002	2	Fitting, 3/8" M. Pipe to 3/4" M. Garden
17	2900278	1	Lanyard with Lock Pin
18	6010085	2	Water Tube for 20" Guard
19	6048155	2	Water Tube Clamp
20	2900020	4	Cap Screw, Flat Hd., 1/4-20 x 3/4"
21	3200208	2	Nozzle, 1/4" NPT
22	1800001	1	Warning Label
23	6010251	2	Hinge Assembly for 20" Guard
24	6010588	1	Hose Assembly, Dual Inlet

CONTRACT:		LOCATION: L1	
REVISION:		Main electrical closet	
0	5/8/2020	Iturinsky	CHANGES
REV.	DATE	NAME	User: data 1
0			User: data 2
04			



Power

DECAL GROUP



CORE CUT DECAL
 #1800256 (Qty. 3)

CORE CUT CC3500J Large Walk Behind Saw Diamond Products Limited 800-321-5336 - www.diamondproducts.com Made in the U.S.A.								
CC3500J SINGLE SPEED RPM CHART								
BLADE SIZE	BLADE RPM	BLADESHAFT SHEAVE	JACKSHAFT SHEAVE OUTPUT	JACKSHAFT SHEAVE INPUT	ENGINE SHEAVE	ENGINE RPM	FLANGE SIZE	MAX CUT DEPTH
14"	3,000	3.65"	5.00"	6.00"	3.65"	3,600	5"	4-3/8"
20"	2,500	3.65"	5.60"	8.00"	3.65"	3,600	5"	7-3/8"
26"	1,900	4.12"	4.75"	8.00"	3.65"	3,600	5"	10-3/8"
30"	1,650	4.12"	4.12"	8.00"	3.65"	3,600	5"	12-3/8"

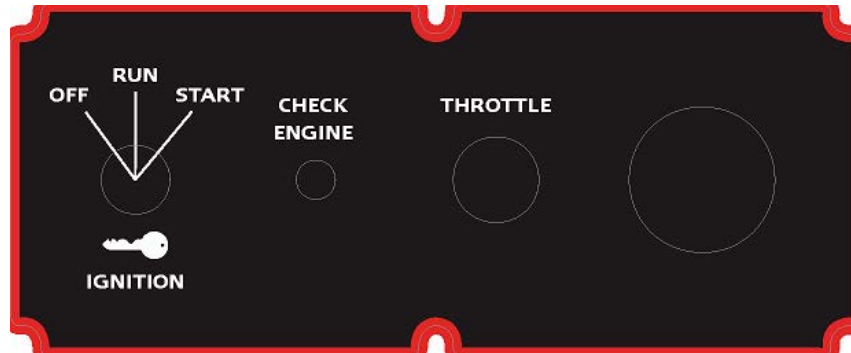
WARNING! NEVER EXCEED THE MAXIMUM RPM STAMPED ON BLADE!
 EXCESSIVE SPEED CAN CAUSE BLADE BREAKAGE RESULTING IN SERIOUS PERSONAL INJURY OR DEATH.

RPM CHART DECAL
 #1802610

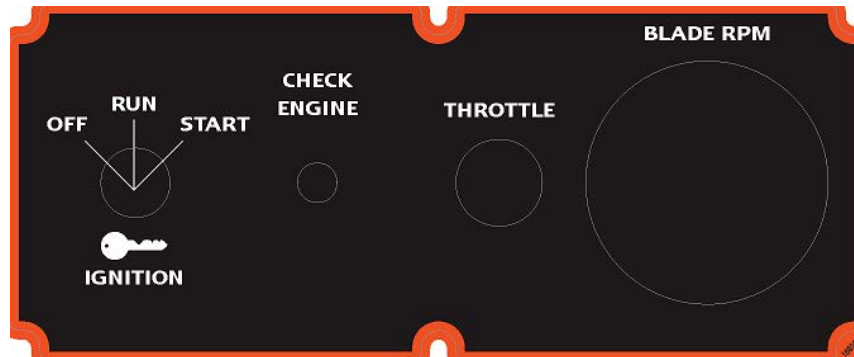


SAW LABEL SHEET
 #1802590

DECAL GROUP



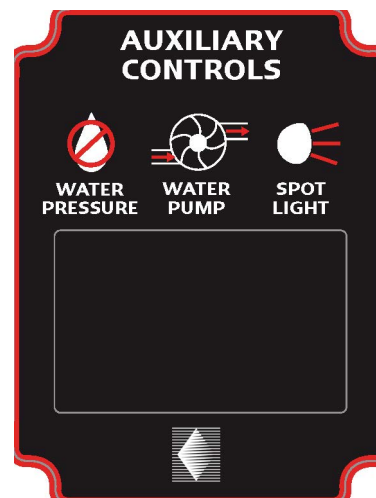
INSTRUMENT PANEL DECAL (STANDARD)
#1803095



INSTRUMENT PANEL DECAL (OPTIONAL TACH)
#1803094



WARNING DECAL
#1800001



AUXILIARY CONTROLS
#1803096

EQUIPMENT AND PARTS WARRANTY

Diamond Products warrants all equipment manufactured by it against defects in workmanship or materials for a period of one (1) year from the date of shipment to Customer.

The responsibility of Diamond Products under this Warranty is limited to replacement or repair of defective parts at Diamond Products' Elyria, Ohio factory, or at a point designated by it, of such parts as shall appear to us upon inspection at such parts, to have been defective in material or workmanship, with expense for transportation and labor borne by Customer.

In no event shall Diamond Products be liable for consequential or incidental damages arising out of the failure of any Product to operate properly.

Integral units such as engines, electric motors, batteries, transmissions, etc., are excluded from this Warranty and are subject to the prime manufacturer's warranty.

THIS WARRANTY IS IN LIEU OF ALL OTHER WARRANTIES, EXPRESSED OR IMPLIED, AND ALL SUCH OTHER WARRANTIES ARE HEREBY DISCLAIMED.



333 Prospect Street, Elyria, Ohio 44035
(440) 323-4616 • (800) 321-5336 • Fax (800) 634-4035
www.diamondproducts.com