



BNMS-50 Mini Mixing Station

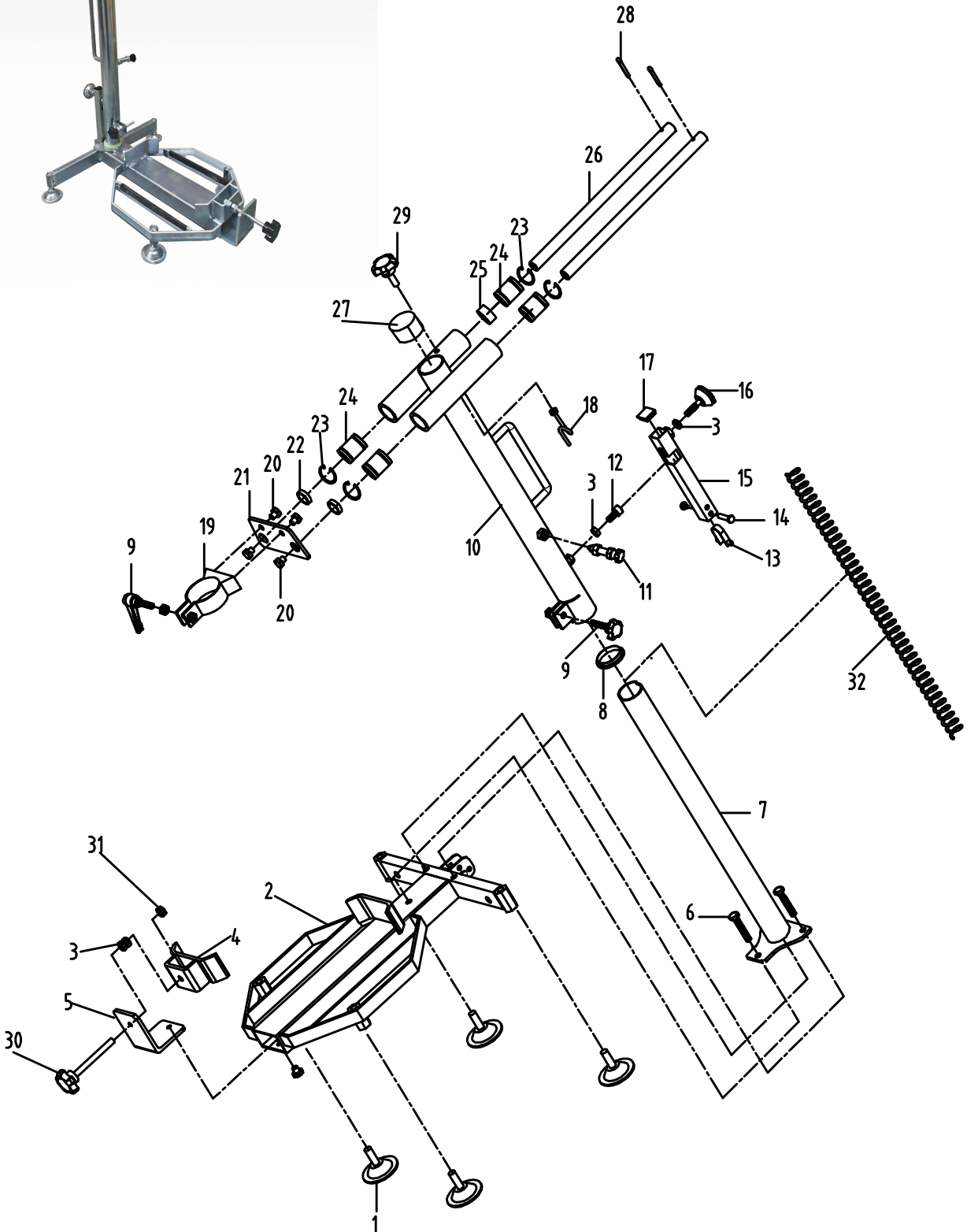
The BNMS-50 portable 5-gallon mixer stand is easy to setup and operate. The perfect accessory for those smaller mixing jobs.

The bucket locking system prevents bucket spinning during mixing and the bucket can be easily removed and ready to pour.

When used with the BNR6400 mixer, the coatings can be mixed hands free for timed mixes. This stand is light weight and folds together to be carried like a suit case.



- The stand should be placed on a level dry surface. Uneven surfaces can cause the mixer stand to fall.
- Adjustable legs provide easy leveling.
- For safety, loose clothing should be removed so that it does not get caught in any of the moving parts.
- A proper three prong electrical socket should be used with any mixer to prevent electrical shock.
- Gloves and eye protection must be used when operating this equipment.
- A dust mask should be worn to prevent breathing in dust particles that can be harmful.



BNMS-50 Parts List (3-2020)		
No.	Description	Qty
1	Foot screw \varnothing 65*M12*60	4
2	The base components	1
3	M10 Screw nut	5
4	Clamp plate	1
5	Clamp mounting plate	1
6	Outer hexagon screw M10*55	3
7	Lower post	1
8	Rubber sleeve	1
9	Locking knob	1
10	Upper post	1
11	Height limit bolt	1
12	Hexagon socket screw M10*55	1
13	V plate Spring \varnothing 8 double ball	1
14	Double lock M6	1
15	Support foot	1
16	Foot screw \varnothing 53*M10*60	1
17	Square tube cap 25*25	1
18	Cable hanger (with M5 nut)	1
19	Clamp \varnothing 57	1
20	Hexagon bolt M10*16	5
21	Expansion joint plate	1
22	Rubber ring \varnothing 18.6*28*7.5	2
23	Snap ring φ 32	4
24	Guide	4
25	Nylon sleeve \varnothing 31*20.5	1
26	Slide rails \varnothing 20*1.5*370	2
27	Rubber cap φ 50	1
28	Split pin φ 5*30	2
29	Locking knob M8*15	1
30	Adjusting knob M10*100	1
31	Locknut M10	1
32	Spring φ 38* φ 3.5*1020	1



Shown with both a BNR-6400 Material Mixer and standard five gallon bucket - not included





BNMS-50 Assembly Instructions

Note: Some components are preassembled to simplify the assembly.

1. Attach the four leveling feet (#1) to the bottom of base by hand tightening them to about half of the threads. Place on a level floor and adjust if needed.
2. Attach the bucket locking assembly by sliding it into the base and locking it in place with the included hex bolt. (# 3,4,5, 30,31).
3. Install the support foot assembly (#3,13,14,15,16,17) to the base with the double lock bolt using the two socket head wrenches included. The double lock bolt will go in the lower bracket hole. Depress the two press buttons to allow the assembly to slip inside the bracket. Screw in the leveling foot to match the other leveling feet.
4. Attach the lower post (#7) to the base with the three bolts provided (#6).
5. Place the spring (#32) into the lower post (#7) and slip the upper post assembly (#10) over the spring and lower post.
6. Slide the slider assembly into the upper post assembly making sure the hole for the locking knob is in back. Install carter pins and bend to lock in place. Install locking knob (#29) into the slider assembly.
7. Attach mixer clamp (#19) to the slider assembly using two hex bolts (#20) and install locking handle (#9) to the mixer clamp.
8. Attach the release pin (#11) to the upper post assembly and adjust to allow the center pin to slip in and out just enough to catch on the lower post and hold the upper post from sliding down when removing the bucket.

3450 Sabin Brown Road
Wickenburg, AZ 85390
(800) 992-3833
mail@bnproducts.com