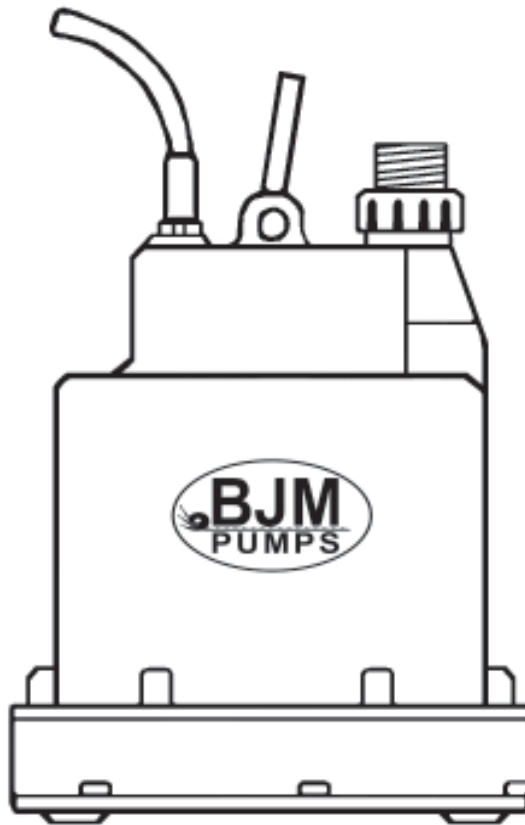


THE "BABY"

12 VOLT D.C. SUBMERSIBLE PUMP

USER-MANUAL



*

**CAUTION: READ ALL INSTRUCTIONS
CAREFULLY BEFORE
OPERATING PUMP**

BJM Pumps

123 Spencer Plain Road * Old Saybrook CT 06475
Phone (860) 399-5937 Fax (860) 399-7784
<http://www.bjmpumps.com>

INTRODUCTION

All BJM Pumps are carefully inspected and water tested to insure both safety and operating performance. Failure to follow the instructions and warnings in this manual may result in pump damage and/or bodily injury.

This pump is designed to operate, completely or partially, submerged. Do not let pump run dry for more than ten minutes. Do not use this pump in chemicals, solvents, flammables, or heavy liquids such as oil or grease. Always lift the pump by its handle.

RULES FOR SAFE INSTALLATION & OPERATION

CAUTION:

1. TO REDUCE THE RISK OF ELECTRIC SHOCK, ALWAYS DISCONNECT THE PUMP FROM THE POWER SOURCE BEFORE SERVICING ANY PUMP.
2. Read and follow all instructions carefully.
3. Do not pump flammable liquids such as gasoline or other fuels.
4. Always connect pump to a properly grounded receptacle.
5. Do not handle the pump with wet hands or while standing in water.

PUMP PERFORMANCE

DISCHARGE HEAD	3'	6'	9'	12'	15'	18'	21'	SHUT OFF FEET
GALLONS PER HOUR	1300	1150	925	750	450	250	61	23'

NOTE: The above ratings are based on 1" pipe discharge. The use of the 3/4" garden hose adaptor will reduce the "gallons per hour" flow by approximately 15%.

ELECTRICAL CONNECTIONS

Your 12 Volt "BABY" pump is supplied with 16.5 feet of power cord, and standard battery clips.

IMPORTANT: RED LEAD TO POSITIVE (+)
BLACK LEAD TO NEGATIVE (-)

THE WARRANTY ON THE MOTOR BRUSHES FOR "THE BABY" PUMP, IS 500 HOURS OF OPERATING TIME.

WARNING

Always disconnect power before undertaking any work on pump, cable, control box, or accessories. Do not attempt to attach any AC type adaptors to the power cord, or use an AC power source to operate the pump.

OPERATION

Place pump on flat, solid surface in at least 3/4" of water. Connect garden hose to hose adaptor or install 1" threaded pipe directly into the discharge of the pump. Connect power supply cord to a 12 Volt D.C. grounded receptacle.

When using pump on a dirt or sand surface, always have outer screen in place to prevent mud or debris from entering the pump.

MAINTAINING YOUR PUMP

The motor housing of the "BABY" pump is completely sealed and requires no service. Disassembly of the housing or the power cord will void the warranty.

The motor of this pump has a built-in thermal overload protector that will automatically shut the pump off if the operating temperature of the motor becomes too high.

If the pump becomes clogged; disconnect the power source, remove the outer screen, and flush thoroughly with water. If the impeller will not turn, remove the six screws that secure the pump volute (Fig. 1) and check for debris that may be lodged between the impeller and volute.

CAUTION: Not suitable for use in corrosive or flammable liquids.

REPLACEMENT PARTS

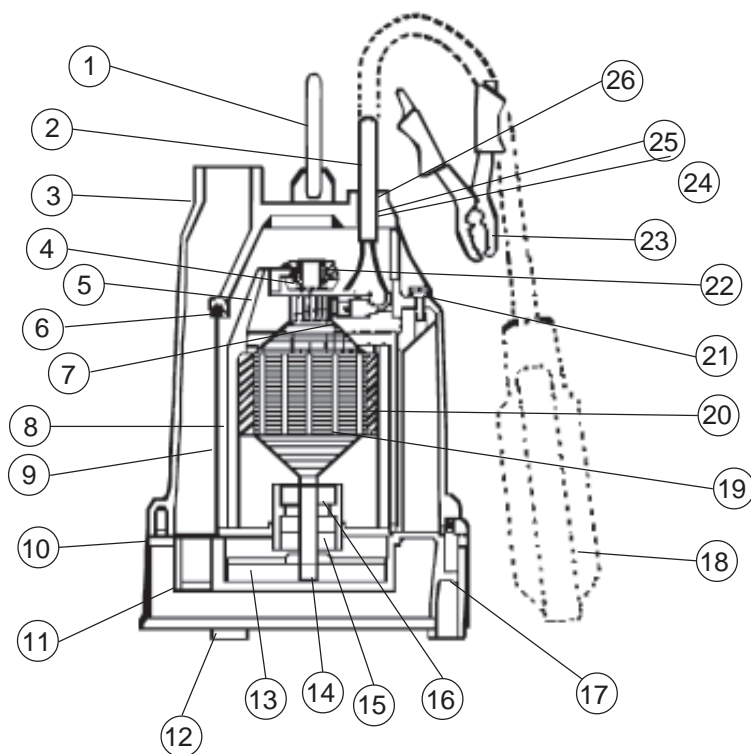


Fig.1

POSITION	DESCRIPTION
1	Handle
2	Power cord
3	Pump body
4	Bushing
5	Brush holder bracket
6	O-ring seal
7	Brushes
8	Magnet holder
9	Motor housing
10	Gasket
11	Strainer/Suction Cover
12	Bottom Plate
13	Impeller
14	Circlip
15	Lip seal
16	Ball bearing
17	Screw
18	Float switch (optional)
19	Rotor
20	Magnet
21	Screw
22	Spring
23	Battery clip
24	Bushing
25	Washer
26	Cable Gland

BJM CORP
123 Spencer Plain Road
PO Box 1138
Old Saybrook, CT 06475, U.S.A.
Tel: 860-399-5937
Fax: 860-399-7784
www.bjmpumps.com

WARRANTY AND LIMITATION OF LIABILITY

Unless otherwise expressly authorized in writing, specifying a longer or shorter period, BJM Corp warrants for a period of eighteen (18) months from the date of shipment from the Point of Shipment, or one (1) year from the date of installation, whichever occurs first, that all products or parts thereof furnished by BJM Corp under the brand name BJM, hereinafter referred to as the "Product" are free from defects in materials and workmanship and conform to the applicable specification.

BJM Corp's liability for any breach of this Warranty shall be limited solely to replacement or repair, at the sole option of BJM Corp, of any part or parts of the Product found to be defective during the Warranty period, provided the Product is properly installed and is being used as originally intended. Any breach of this Warranty must be reported to BJM Corp or BJM Corp's authorized service representative within the aforementioned Warranty period, and defective Product or parts thereof must be shipped to BJM Corp or BJM Corp's authorized representative, transportation charges prepaid. Any cost associated with removal or installation of a defective Product or part is excluded.

IT IS EXPRESSLY AGREED THAT THIS SHALL BE THE SOLE AND EXCLUSIVE REMEDY OF BJM CORP'S DISTRIBUTORS AND CUSTOMERS. UNDER NO CIRCUMSTANCES SHALL BJM CORP BE LIABLE FOR ANY COSTS, LOSS, EXPENSE, DAMAGES, SPECIAL DAMAGES, INCIDENTAL DAMAGES OR CONSEQUENTIAL DAMAGES ARISING DIRECTLY OR INDIRECTLY FROM THE DESIGN, MANUFACTURE, SALE, USE OR REPAIR OF THE PRODUCT, WHETHER BASED ON WARRANTY, CONTRACT, NEGLIGENCE, OR STRICT LIABILITY. IN NO EVENT WILL LIABILITY EXCEED THE PURCHASE PRICE OF THE PRODUCT.

THE WARRANTY AND LIMITS OF LIABILITY CONTAINED HEREIN ARE IN LIEU OF ALL OTHER WARRANTIES AND LIABILITIES, EXPRESSED OR IMPLIED. ALL IMPLIED WARRANTIES OF MERCHANTABILITY AND FITNESS FOR A PARTICULAR PURPOSE ARE HEREBY DISCLAIMED BY BJM CORP AND EXCLUDED FROM THIS WARRANTY.

BJM Corp neither assumes, nor authorizes any person to assume for it, any other Warranty obligation in connection with the sale of the Product. This Warranty shall not apply to any Product or parts of Product which have (a) been repaired or altered outside of BJM Corp's facilities unless such repair was authorized in advance by BJM Corp or by its authorized representative; or (b) have been subject to misuse, negligence or accident; or (c) have been used in a manner contrary to BJM Corp's instruction.

In any case of products not manufactured and sold under the BJM Corp brand name, there is no Warranty from BJM Corp; however BJM Corp will extend any Warranty received from BJM Corp's supplier of such products.



Visit our website: www.bjmpumps.com

8/5/2014
0806
Supersedes
0805

**TECHNICAL DATA
MODEL BABY – 12V
BJM SUBMERSIBLE PUMP**

GENERAL DATA

MAX. FLOW:	1500 GPH / 25 GPM (94.6 L/min)
MAX. HEAD: ft (m)	23' (7 m)
MAX. SUBMERSION DEPTH: ft (m)	20' (6 m) or limited to length of power cord
PUMP TYPE	12 Volt D.C. ELECTRIC SUBMERSIBLE
SOLID SIZE: in (mm)	1/16" (1.58 mm)
STRAINER OPENING	1/16" x 9/16" slot (1.58 mm x 14.28 mm)
DISCHARGE SIZE	1" (3/4" GARDEN HOSE ADAPTER INCLUDED)
WEIGHT: lbs (kg)	8 lbs (3.7 kg)

CONSTRUCTION/MATERIAL DATA

MOTOR CASING	ANODIZED ALUMINUM
MOTOR HOUSING	PVC
PUMP VOLUTE	PVC
IMPELLER- MULTI VANE	PVC
STRAINER	PVC
SHAFT SEAL – LIPSEAL	BUNA-N
O-RING	BUNA-N
ROTOR SHAFT	AISI 420
EXTERNAL HARDWARE	304 SS
BALL BEARING: PERM. LUBE. UPPER	608
BALL BEARING: PERM. LUBE. LOWER	608

ELECTRICAL /MOTOR DATA

MOTOR: TYPE, RATING POWER	SUBMERSIBLE, 200 WATTS
MOTOR INSULATION CLASS	F
MOTOR SERVICE FACTOR	1.0
VOLTAGE	12 VOLT D.C.
CURRENT F.L.A.	16
POWER CORD: GAGE; LENGTH	14/2; 16.5' (5 m) WITH TERMINAL CLIPS
MINIMUM SUBMERSION DEPTH FOR CONTINUOUS DUTY: in (mm)	2.5" (64 mm)

PUMP PERFORMANCE

HEAD (FT)	3'	6'	9'	12'	15'	18'	21'	MAX. HEAD (FT)
U.S. GALLONS PER HOUR	1300	1150	925	750	450	250	61	23'

NOTE: The above ratings are based on 1" pipe discharge. The use of the 3/4" garden hose adapter will reduce the "gallons per hour" flow by approximately 15%.

©2004 - 2014 BJM Pumps, LLC. All rights reserved.
123 Spencer Plain Road
Old Saybrook, CT. 06475, USA
(860)399-5937 - (877) BJM-PUMP - Fax: (860)399-7784

BJM PUMPS, LLC
123 Spencer Plain Road
Old Saybrook, CT 06475, U.S.A.

WARRANTY AND LIMITATION OF LIABILITY

Unless otherwise expressly authorized in writing, specifying a longer or shorter period, BJM Pumps, LLC warrants for a period of eighteen (18) months from the date of shipment from the Point of Shipment, or one (1) year from the date of installation, whichever occurs first, that all products or parts thereof furnished by BJM Pumps, LLC under the brand name BJM Pumps, hereinafter referred to as the "Product" are free from defects in materials and workmanship and conform to the applicable specification.

BJM Pumps, LLC's liability for any breach of this warranty shall be limited solely to replacement or repair, at the sole option of BJM Pumps, LLC, of any part or parts of the Product found to be defective during the warranty period, provided the Product is properly installed and is being used as originally intended. Any breach of this warranty must be reported to BJM Pumps, LLC or BJM Pumps, LLC's authorized service representative within the aforementioned warranty period, and defective Product or parts thereof must be shipped to BJM Pumps, LLC or BJM Pumps, LLC's authorized representative, transportation charges prepaid. Any cost associated with removal or installation of a defective Product or part is excluded.

IT IS EXPRESSLY AGREED THAT THIS SHALL BE THE SOLE AND EXCLUSIVE REMEDY OF BJM PUMPS, LLC'S DISTRIBUTORS AND CUSTOMERS. UNDER NO CIRCUMSTANCES SHALL BJM PUMPS, LLC BE LIABLE FOR ANY COSTS, LOSS, EXPENSE, DAMAGES, SPECIAL DAMAGES, INCIDENTAL DAMAGES OR CONSEQUENTIAL DAMAGES ARISING DIRECTLY OR INDIRECTLY FROM THE DESIGN, MANUFACTURE, SALE, USE OR REPAIR OF THE PRODUCT, WHETHER BASED ON WARRANTY, CONTRACT, NEGLIGENCE, OR STRICT LIABILITY. IN NO EVENT WILL LIABILITY EXCEED THE PURCHASE PRICE OF THE PRODUCT.

THE WARRANTY AND LIMITS OF LIABILITY CONTAINED HEREIN ARE IN LIEU OF ALL OTHER WARRANTIES AND LIABILITIES, EXPRESSED OR IMPLIED. ALL IMPLIED WARRANTIES OF MERCHANTABILITY AND FITNESS FOR A PARTICULAR PURPOSE ARE HEREBY DISCLAIMED BY BJM PUMPS, LLC AND EXCLUDED FROM THIS WARRANTY.

BJM Pumps, LLC neither assumes, nor authorizes any person to assume for it, any other warranty obligation in connection with the sale of the Product. This warranty shall not apply to any Product or parts of Product which have (a) been repaired or altered outside of BJM Pumps, LLC's facilities unless such repair was authorized in advance by BJM Pumps, LLC or by its authorized representative; or (b) have been subject to misuse, negligence or accident; or (c) have been used in a manner contrary to BJM Pumps, LLC's instruction.

In any case of products not manufactured and sold under the BJM Pumps, LLC brand name, there is no warranty from BJM Pumps, LLC; however BJM Pumps, LLC will extend any warranty received from BJM Pumps, LLC's supplier of such products.