

## CR 7 and CR 7 with COMPATROL®

The CR 7 impresses as an economical machine that delivers powerful compacting performance.

The reversible soil compactor CR 7 is the machine of choice for a wide variety of applications ranging from road construction and civil engineering to paving. Its low overall height makes it ideal for trench shoring as well.

The CR 7's defining performance characteristics include 65 kN of compaction force, an operating weight of 475 kg, and a reliable Hatz diesel engine.

Its balanced running characteristics and exceptionally smooth operation as well as low hand-arm the vibrations provide for superb ease of use. This high level of comfort is also guaranteed by the lockable fold-up guide bar, which can be adjusted to the operator's height.

An all-around enclosure and the sturdy frame provide full protection for the engine, thereby increasing operational reliability. Meanwhile, the maintenance cover provides easy access to all essential parts to be serviced.

The CR 7 CCD soil compactor is equipped with the COMPATROL® compaction control system. The CR 7 MSM version of the machine also comes with an additional machine and service management feature that complements COMPATROL®.



COMPATROL® CCD



COMPATROL® MSM

### Advantages COMPATROL®

- ▶ Weak spots in the soil can be detected and compensated.
- ▶ No unnecessary compacting runs results in a savings of both time and costs.
- ▶ COMPATROL® MSM adds the extra benefit of indicating engine and machine faults and helps prevent damage.

### Advantages CR 7

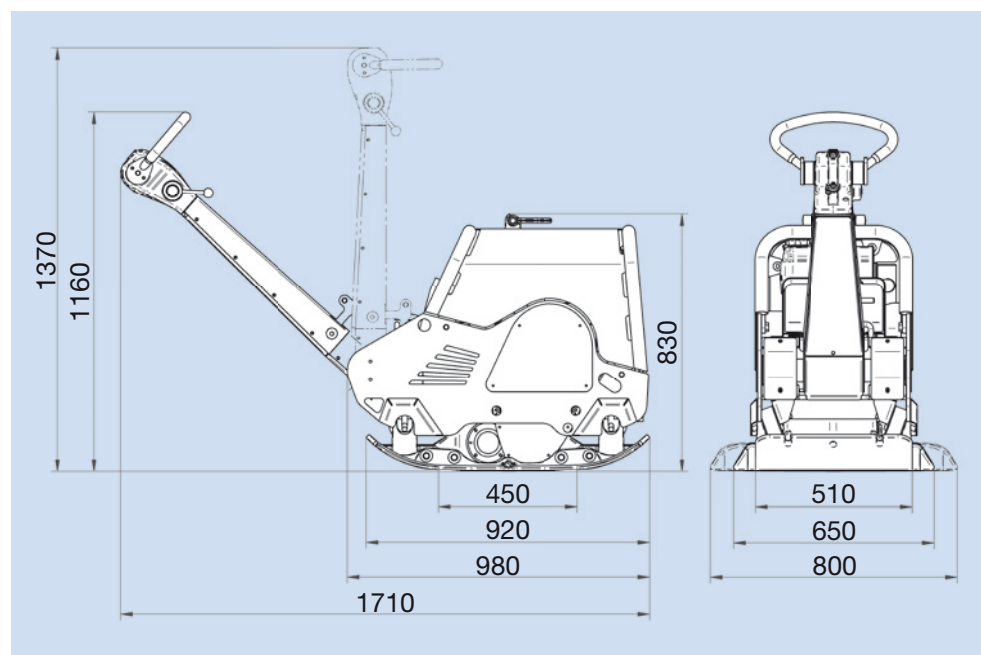
- ▶ To ensure they are protected, throttle cable and hydraulic shift are located inside the guide bar.
- ▶ Quick and safe loading thanks to large, hinged lifting eye.
- ▶ Can be lashed securely for transport thanks to additional eyelets in the engine mount.
- ▶ Self-tensioning centrifugal clutch cuts down on maintenance.
- ▶ Comes standard with E-start.

## Technical data

Type		CR 7 / CR 7 CCD / CR 7 MSM
Operating weight CECE	kg (lbs)	475 / 477 / 479 (1047 / 1052 / 1056)
Centrifugal force	kN (lbs)	65 (14625)
Frequency	Hz (r.p.m.)	74 (4440)
Operating width	mm (in.)	650 / 800* (25.6 / 31.5)
Engine manufacturer		Hatz 1 B 40
Engine type		Diesel
Engine power output, max.	kW (HP)	7.5 (10.3)
Power output at operating speed	kW (HP)	5.8 (7.9) at 2,750 r.p.m.
Working speed	m/min. (ft/min.)	0-24 (0-79)

\*Operating width with extension plates (optional).

We reserve the right to alter specifications.



Dimensions in mm.



CR 7