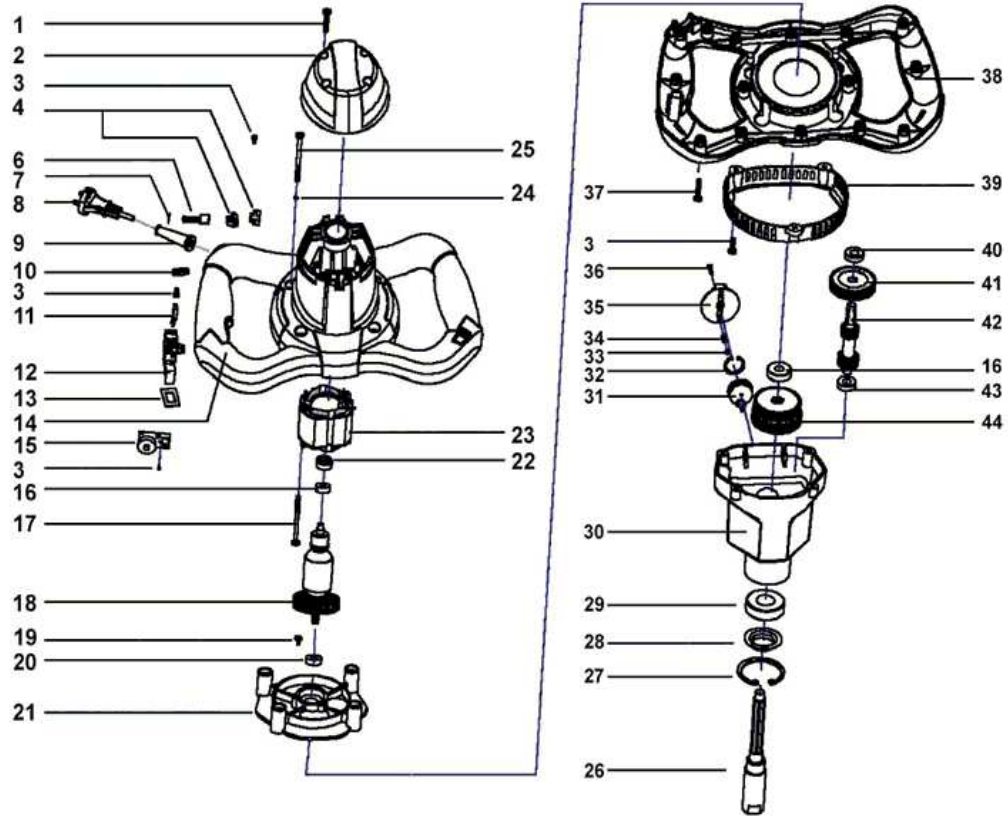


Part-list	ES	EN	DE	FR	
1	25182 4	TORN 4X16 RUBIMIX-9	SCREW 4X16 RMIX-9-BL	SCHRAUBE 4X16 RMIX-9	SCREW 4X16 RMIX-9-BL
2	25106 1	CARCASA MOTOR RUBIMIX-9	MOTOR HOUSING RMIX-9-BL	MOTORSCHUTZHAUBE RMIX-9-BL	CARCASA MOTOR RMIX-9-BL
3	25107 11	TORN 4X12 RUBIMIX-9	SCREW 4X12 RMIX-9-BL	SCHRAUBE 4X12 RMIX-9	TORN 4X12 RMIX-9-BL
4	25109 2	CJ.PRTEESCOB.Y SEP.CALOR RMIX-9	BRUSH HOLDER SET RMIX-9-BL	BÜRSTENHALTERSET+THERMOTRENNUNG RMIX-9	BRUSH HOLDER SET RMIX-9-BL
6	25110 2	CJ.ESCOBILLA 230V RUBIMIX-9 (2 UN)	CARBON BRUSH 230V RMIX-9-BL (2 UN)	BÜRSTE RMIX-9-BL 230V	BALAI DE CHARBON RMIX-9-BL (2 UN)
6	25563 2	CJ.ESCOBILLA 120V RUBIMIX-9 (2 UN)	CARBON BRUSH 120V RMIX-9-BL (2 UN)	BÜRSTE RMIX-9-BL 120V	CJ.ESCOBILLA 120V RMIX-9-BL (2 UN)
7	25111 2	INSERTO RUBIMIX-9	INSERT SLICE RMIX-9-BL	EINLAGE RMIX-9	INSERT SLICE RMIX-9-BL
8	25112 1	ENCHUFE 230V 2X0,75 MM	WIRE 230V 2X0,75 MM	STECKER 230V 2X0,75 MM	WIRE 230V 2X0,75 MM
8	25564 1	ENCHUFE 220V UK RUBIMIX-9	WIRE 220V UK RMIX-9-BL	STECKER 220V UK RMIX-9-BL	WIRE 220V UK RMIX-9-BL
8	25565 1	ENCHUFE 110V UK RUBIMIX-9	WIRE 110V UK RMIX-9-BL	STECKER 110V UK RMIX-9-BL	WIRE 110V UK RMIX-9-BL
8	25566 1	ENCHUFE 110V USA RUBIMIX-9	WIRE 110V USA RMIX-9-BL	STECKER 110V USA RMIX-9-BL	WIRE 110V USA RMIX-9-BL
9	25113 1	PROTECCION CABLE RUBIMIX-9	CORD GUARD RMIX-9-BL	KABELSCHUTZ RMIX-9	PROTECCION CABLE RMIX-9-BL
10	25114 1	FIJACION CABLE RUBIMIX-9	CORD CAMP RMIX-9-BL	KABELHALTER RMIX-9	FIJACION CABLE RMIX-9-BL
11	25115 1	CONDENSADOR RUBIMIX-9	CAPACITOR RMIX-9-BL	KONDENSATOR RMIX-9	CAPACITOR RMIX-9-BL
12	25116 1	INTERRUPTOR 230V RUBIMIX-9	SWITCH 230V RMIX-9-BL	SCHALTER 230V RMIX-9-BL	INTERRUPTEUR 230V RMIX-9-BL
12	25555 1	INTERRUPTOR 120/230V RUBIMIX-9	SWITCH 120/230V RMIX-9-BL	SCHALTER 120V RMIX-9	INTERRUPTOR 120/230V RMIX-9-BL
13	25117 1	PROTECCION ESTANCA RUBIMIX-9	WATERPROOF COVER RMIX-9-BL	WASSERFESTE HAUBE RMIX-9	WATERPROOF COVER RMIX-9-BL
14	25118 1	CJ.MANGO SUPERIOR RUBIMIX-9	HANDLE ASSY TOP RMIX-9-BL	GRIFF OBEN RMIX-9	CJ.MANGO SUPERIOR RMIX-9-BL
15	25119 1	REGULADOR VELOCIDAD 230V RUBIMIX-9	ELECTRONIC SPEED 230V REGUL RMIX-9-BL	GESCHWINDIGKEITSREGULIERER 230V RMIX-9	REGULATEUR VITESSE 230V RMIX-9-BL
15	25567 1	REGULADOR VELOCIDAD 120V RUBIMIX-9	ELECTRONIC SPEED REGUL 120V RMIX-9-BL	GESCHWINDIGKEITSREGULIERER 120V RMIX-9	REGULADOR VELOCIDAD 120V RMIX-9-BL
16	25122 1	RODAMIENTO 6000 RUBIMIX-9	6000 BEARING RMIX-9-BL	KUGELLAGER 6000 RMIX-9	ROULEMENT 6000 RMIX-9-BL
17	25123 2	TORN 5X65 RUBIMIX-9	SCREW 5X65 RMIX-9-BL	SCHRAUBE 5X65 RMIX-9	SCREW 5X65 RMIX-9-BL
18	25124 1	ROTOR 230V RUBIMIX-9	ROTOR 230V RMIX-9-BL	ROTOR 230V RMIX-9-BL	ROTOR 230V RMIX-9-BL
18	25440 1	ROTOR 120V RUBIMIX-9	ROTOR 120V RMIX-9-BL	ROTOR 120V RMIX-9-BL	ROTOR 120V RMIX-9-BL
19	25125 3	TORN 4X10 RUBIMIX-9	SCREW 4X10 RMIX-9-BL	SCHRAUBE 4X10 POS.21 RMIX-9	SCREW 4X10 RMIX-9-BL
20	25191 1	RODAMIENTO 6001 RUBIMIX-9	6001 BEARING RMIX-9-BL	KUGELLAGER 6001 RMIX-9	RODAMIENTO 6001 RMIX-9-BL
21	25169 1	TAPA ENGRANAJES RUBIMIX-9	GEAR BOX COVER RMIX-9-BL	GETRIEBEBECKEL RMIX-9-BL	GEAR BOX COVER RMIX-9-BL
22	25121 1	FUNDA GOMA RUBIMIX-9	RUBBER LOOP RMIX-9-BL	GUMMIÜBERZUG RMIX-9	COUVERTURE EN CAOUTCHOUC RMIX-9-BL
23	25120 1	ESTATOR 230V RUBIMIX-9	STATOR 230V RMIX-9-BL	STÄNDER 230V RMIX-9-BL	STATOR 230V RMIX-9-BL

Queda reservado el derecho de introducir cualquier modificacion técnica sin previo aviso
 We reserve the right to introduce any technical modification without previous notice

Wir behalten uns das Recht vor, jede notwendige technische Änderung ohne vorherige Ankündigung an unseren Produkten vorzunehmen.
 Il est réservé le droit à introduire une modification technique sans préavis.

23	25441	1	ESTATOR 120V RUBIMIX-9	STATOR 120V RMIK-9-BL	STÄNDER 120V RMIK-9-BL	STATOR 120V RMIK-9-BL
24	25183	4	ARAND FIJACION DIA.5 RUBIMIX-9	SHIM DIA.5 RMIK-9-BL	BEFESTIGUNGSSCHEIBE Ø 5 RMIK-9	SHIM DIA.5 RMIK-9-BL
25	25184	4	TORN 5X55 RUBIMIX-9	SCREW 5X55 RMIK-9-BL	SCHRAUBE 5X55 RMIK-9-BL	TORN 5X55 RMIK-9-BL
26	25170	1	EJE RUBIMIX-9	SHAFT RMIK-9-BL	ACHSE RMIK-9-BL	SHAFT RMIK-9-BL
27	25171	1	ANILLO ELASTICO DIA.42 RUBIMIX-9	CIRCLIP DIA.42 RMIK-9-BL	SPANNRING Ø 42 RMIK-9	CIRCLIP DIA.42 RMIK-9-BL
28	25172	1	CUBIERTA RODAMIENTO RUBIMIX-9	BEARING COVER RMIK-9-BL	LAGERHAUBE RMIK-9-BL	BEARING COVER RMIK-9-BL
29	25173	1	RODAMIENTO 6004 RUBIMIX-9	6004 BEARING RMIK-9-BL	KUGELLAGER 6004 RMIK-9	RODAMIENTO 6004 RMIK-9-BL
30	25174	1	CAJA ENGRANAJES RUBIMIX-9	GEAR BOX RMIK-9-BL	GETRIEBE RMIK-9-BL	CAJA ENGRANAJES RMIK-9-BL
31	25175	1	CJ.POMO RUBIMIX-9	KNOB ASSY RMIK-9-BL	GRIFF SET RMIK-9-BL	ENSEMBLE BOUTON RMIK-9-BL
32	25176	1	ANILLO ELASTICO DIA.28 RUBIMIX-9	CIRCLIP DIA.28 RMIK-9-BL	SPANNRING Ø 28 RMIK-9	CIRCLIP DIA.28 RMIK-9-BL
33	25178	2	BOLA RUBIMIX-9	BALL RMIK-9-BL	KUGEL RMIK-9	BALL RMIK-9-BL
34	25179	2	MUELLE INTERRUPTOR RUBIMIX-9	SPRING FOR GEAR SWITCH RMIK-9-BL	SCHALTERFEDER RMIK-9	SPRING FOR GEAR SWITCH RMIK-9-BL
35	25180	1	POMO RUBIMIX-9	KNOB RMIK-9-BL	GRIFF RMIK-9	POMO RMIK-9-BL
36	25125	1	TORN 4X10 RUBIMIX-9	SCREW 4X10 RMIK-9-BL	SCHRAUBE 4X10 POS.21 RMIK-9	SCREW 4X10 RMIK-9-BL
37	25182	14	TORN 4X16 RUBIMIX-9	SCREW 4X16 RMIK-9-BL	SCHRAUBE 4X16 RMIK-9	SCREW 4X16 RMIK-9-BL
38	25185	1	CJ.MANGO INFERIOR RUBIMIX-9	HANDLE ASSY BOTTOM RMIK-9-BL	GRIFF UNTEN RMIK-9	CJ.MANGO INFERIOR RMIK-9-BL
39	25186	1	SALIDA AIRE RUBIMIX-9	AIR OUTLET RMIK-9-BL	AIR OUTLET RMIK-9-BL	AIR OUTLET RMIK-9-BL
40	25210	1	RODAMIENTO 607 RMIK-9	607 BEARING RMIK-9	KUGELLAGER 698 P.36 RMIK-9 DUP	ROULEMENT 607 RMIK-9
41	25188	1	ENGRANAJE POS.41 RUBIMIX-9	GEAR POS.41 RMIK-9-BL	GEAR POS.41 RMIK-9-BL	PIGNON POS.41 RMIK-9-BL
42	25189	1	ENGRANAJE LARGO RUBIMIX-9	LONG GEAR RMIK-9-BL	LONG GEAR RMIK-9-BL	LONG PIGNON RMIK-9-BL
43	25210	1	RODAMIENTO 607 RMIK-9	607 BEARING RMIK-9	KUGELLAGER 698 P.36 RMIK-9 DUP	ROULEMENT 607 RMIK-9
44	25193	1	ENGRANAJE GRANDE RUBIMIX-9	BIG GEAR RMIK-9-BL	BIG GEAR RMIK-9-BL	GRAND PIGNON RMIK-9-BL



Queda reservado el derecho de introducir cualquier modificación técnica sin previo aviso
We reserve the right to introduce any technical modification without previous notice

Wir behalten uns das Recht vor, jede notwendige technische Änderung ohne vorherige Ankündigung an unseren Produkten vorzunehmen.
Il est réservé le droit à introduire une modification technique sans préavis.