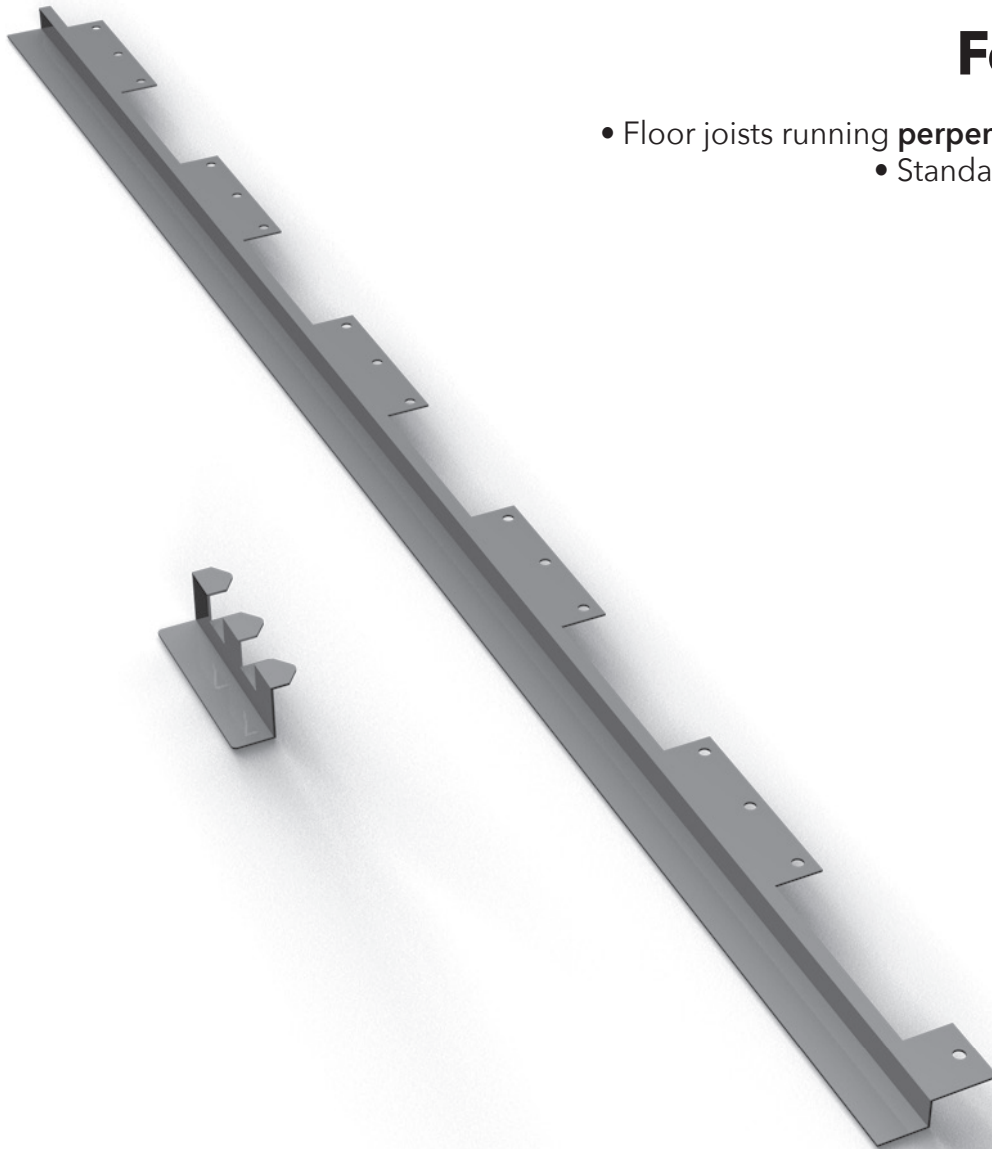


# RAPID

# RECESS

## For RR25SF kit

- Floor joists running **perpendicular** to the shower entry
- Standard lumber, I joists or trusses
- 3/4" Plywood sub-floor



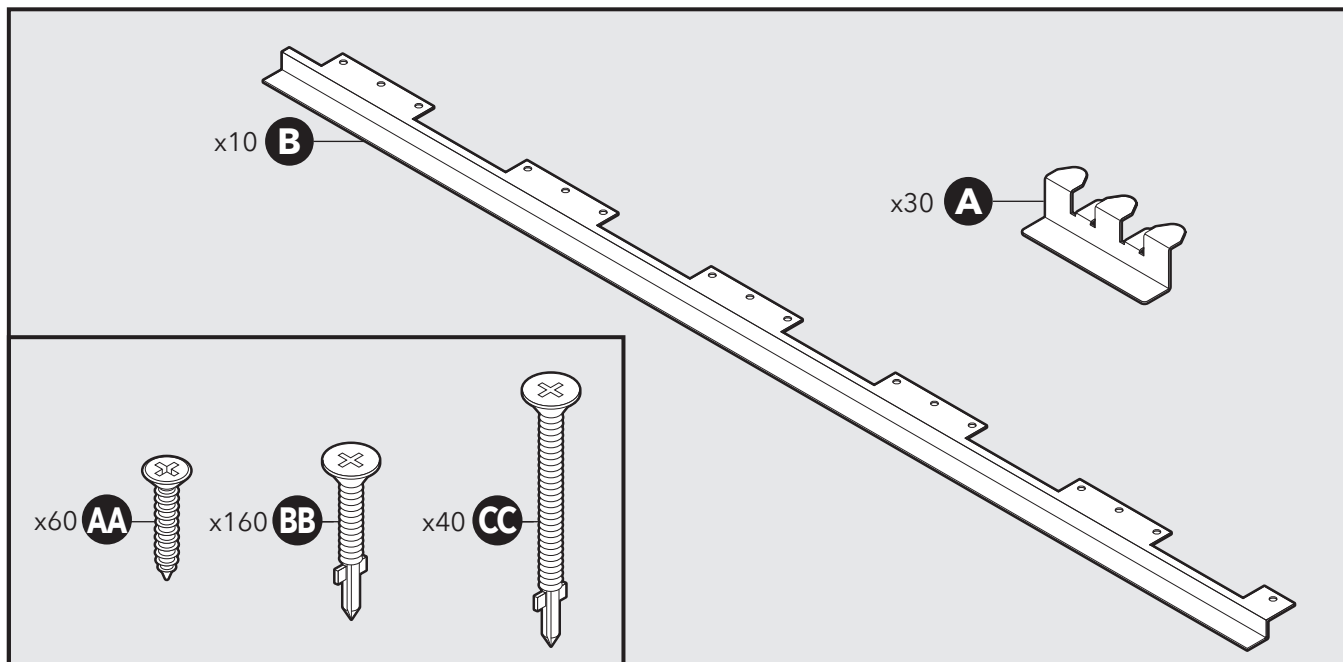
## Installation Instructions

---

Rapid Recess  
P.O.Box 2107, Silverthorne, CO 80498  
[rapidrecess.com](http://rapidrecess.com)

# R

## Parts Included



**A.** Z-Bracket (5" long)

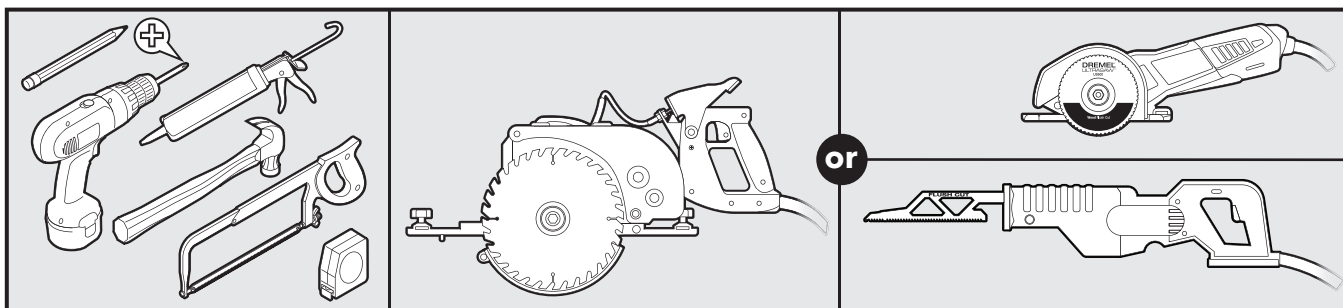
**B.** Main Bracket (47 3/8")

**AA.** #8 x 1 1/4" Flat-head Phillips screws

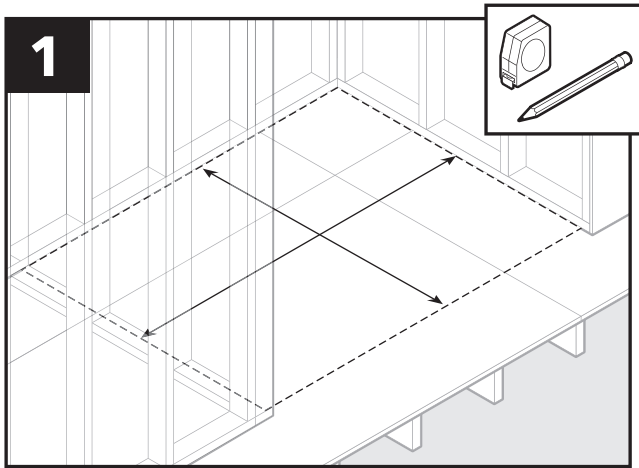
**BB.** #10 x 1 5/8" wood to metal self-drilling screws with wings

**CC.** #10 x 2 3/4" wood to metal self-drilling screws with wings

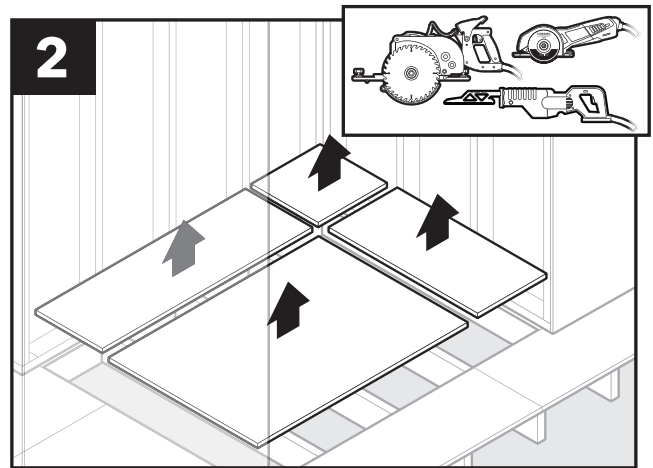
## Tools Needed



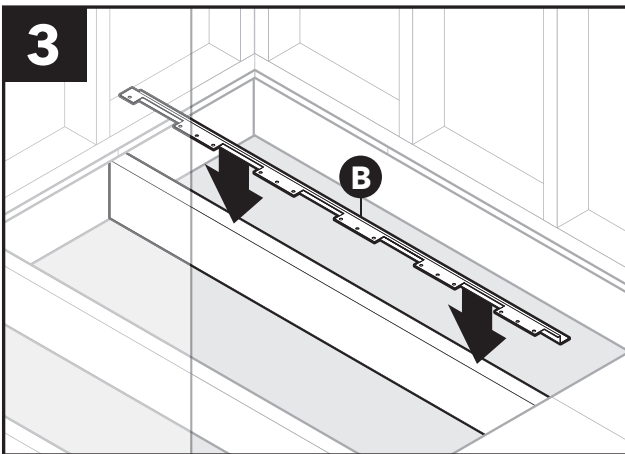
## Site Preparation



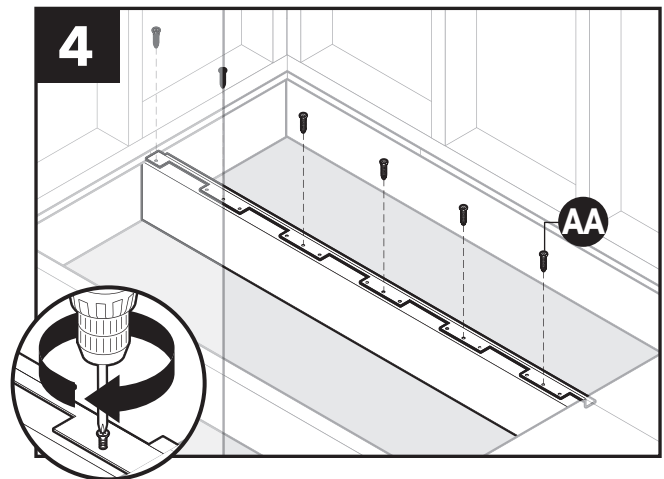
Measure and mark subfloor to be removed.



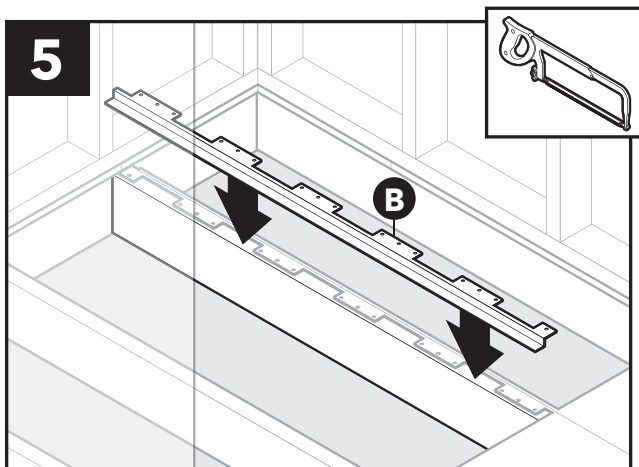
Use recommended saw to flush cut marked portions of subfloor and remove.



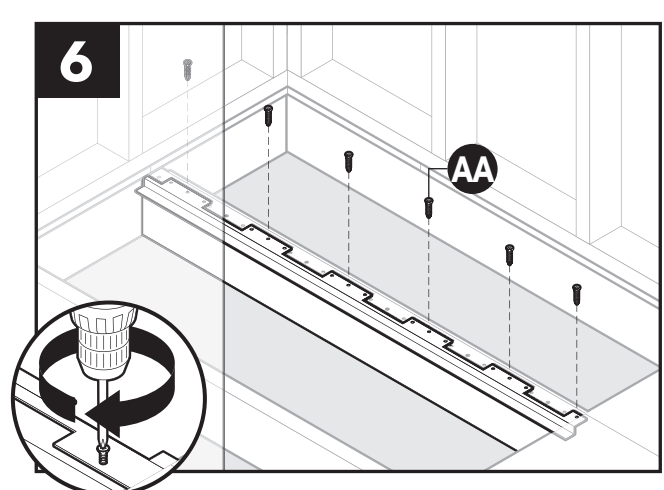
Cut main bracket (B) to size if needed. Remove any adhesive left over from the original plywood. Place main bracket (B) on one side of floor joist (bracket should be flush against top and side of joist).



Secure main bracket to floor joist with one #8 flat-head Phillips screw (AA) per tab. Only **one hole** (preferably the middle hole) on each tab should be used unless circumstances make middle hole unavailable.

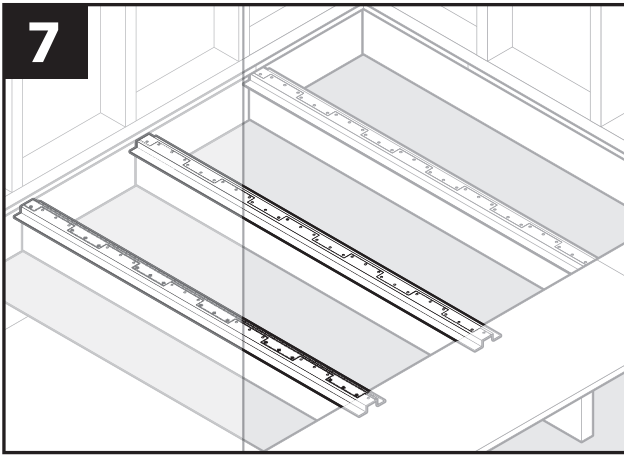


Place main bracket (B) on other side of floor joist (bracket should be flush against top and side of joist). Cut main bracket (B) to size if needed.

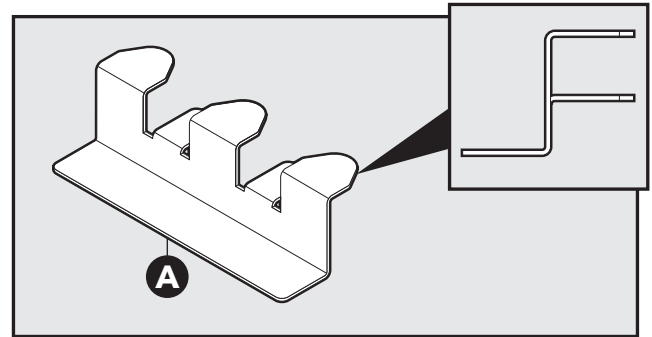


Secure main bracket to floor joist with #8 flat-head Phillips screws (AA).

## Bracket Installation

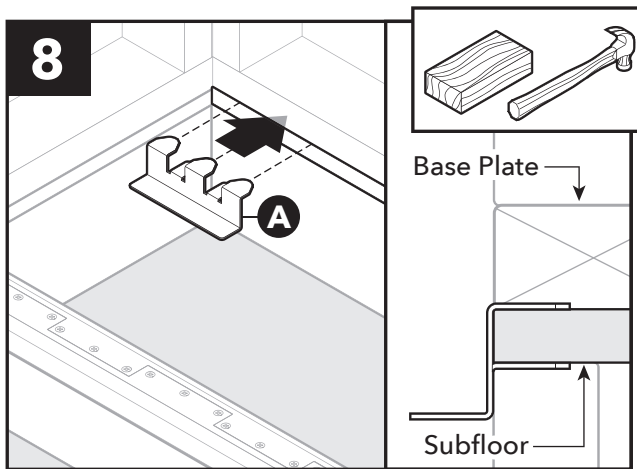


Repeat steps 1-6 for remaining floor joists and main brackets (B).

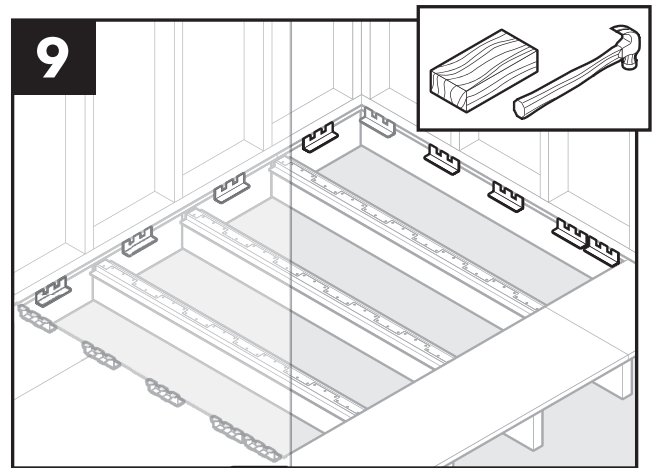


**Z brackets** (A) upper tabs will be installed under the base plate where there is a wall at the shower pan and on top of plywood at recess transition.

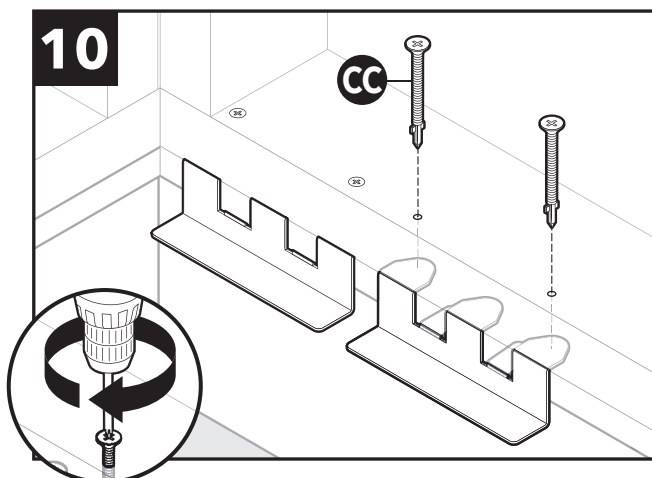
**Note:** Use one bracket per opening between floor joists and two brackets per linear foot along outer sides of opening.



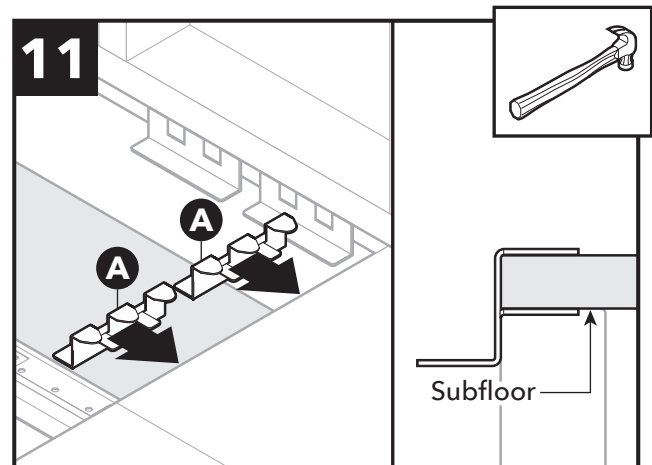
Place a Z-bracket (A) along side wall with tabs above and below subfloor. Use a scrap 2 x 4 during installation to keep from damaging bracket.



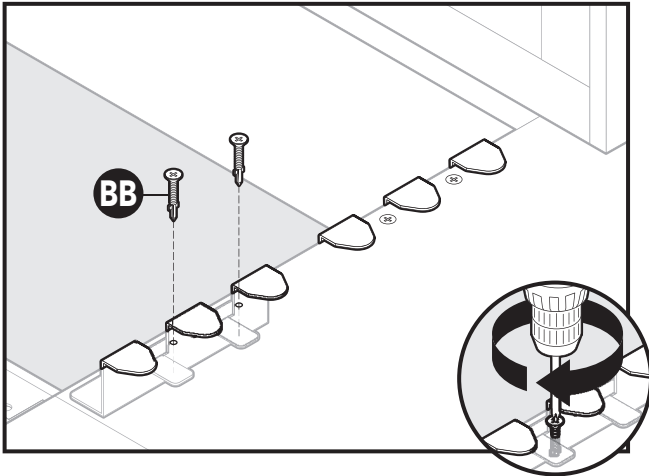
Continue placing Z-brackets along side and rear walls (one bracket per linear foot and one bracket per opening between floor joists). Use a scrap 2 x 4 during installation to keep from damaging bracket.



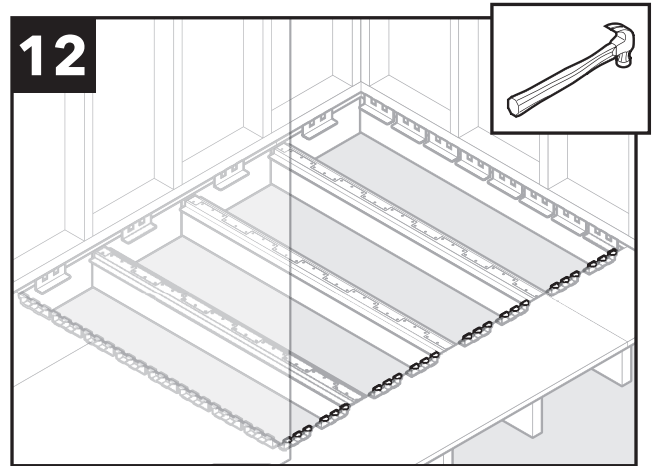
With Z-brackets (A) mounted in a level position, install #10 2 3/4" wood to metal self-drilling screws with wings (CC) through base plate and into both outer tabs of Z-brackets.



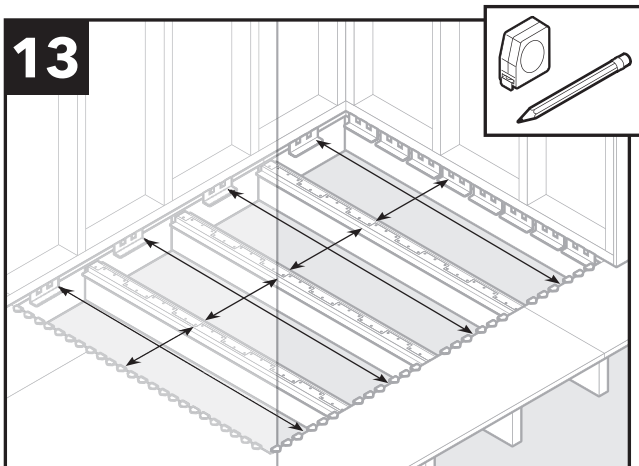
Place Z-brackets (A) into position (two per linear foot) on top of subfloor at threshold (or at the side of shower where there is no framed wall) with tabs above and below subfloor.



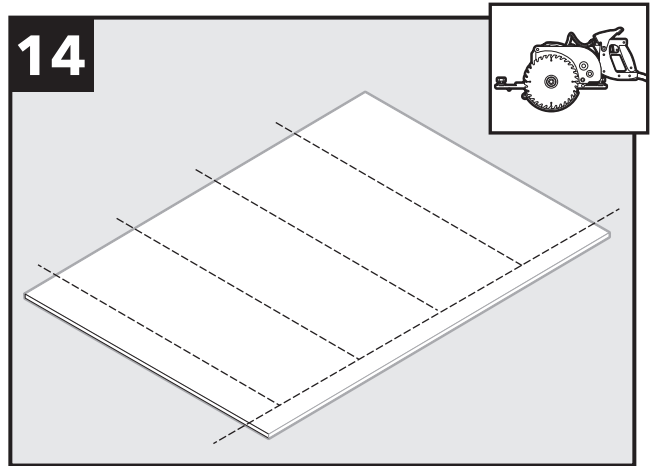
**OPTIONAL:** Secure Z-bracket by installing #10 1 5/8" wood to metal self-drilling screws with wings (BB) through the subfloor and into the Z-bracket lower tabs.



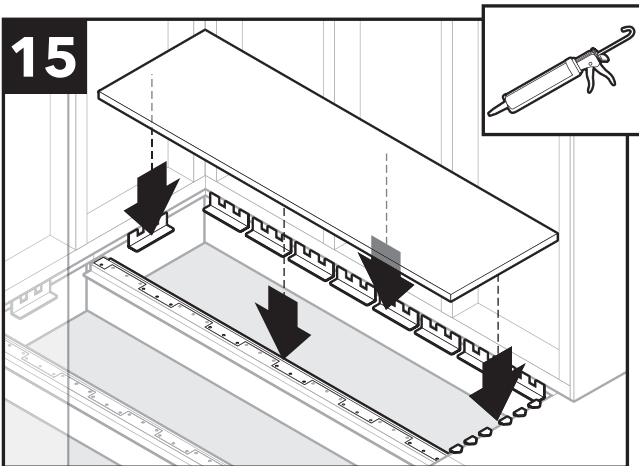
Continue placing Z brackets into position on top of subfloor at threshold (or at the side of shower where there is no framed wall).



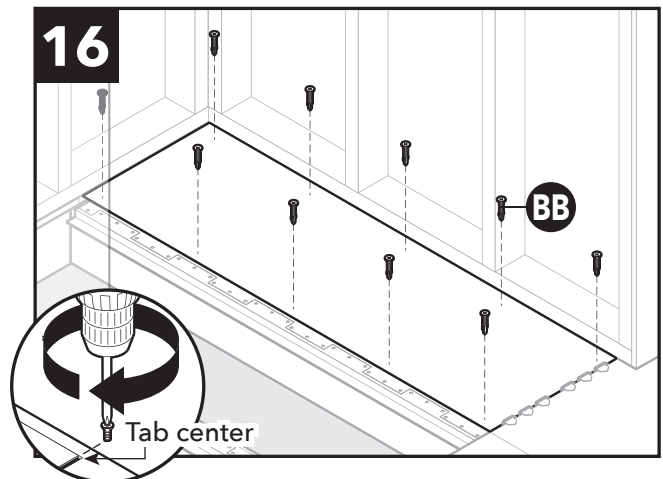
Measure distance between main brackets on floor joists and Z-brackets for length and width for plywood strips.



Using measurements from previous step, cut plywood strips 1/8" shorter and narrower to fit loosely into opening.

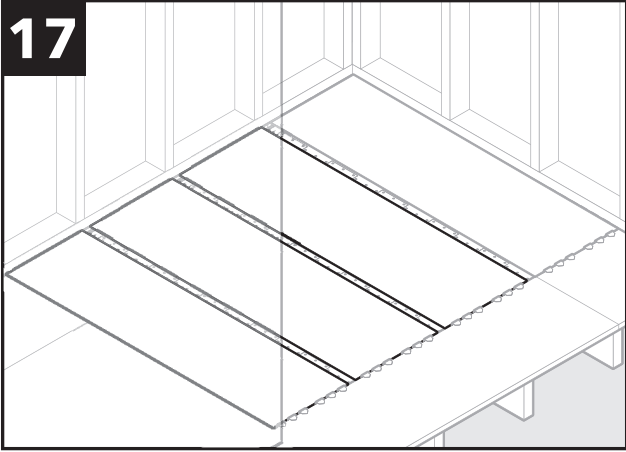


Use construction adhesive for plywood and brackets. Place first plywood strip into position on brackets.

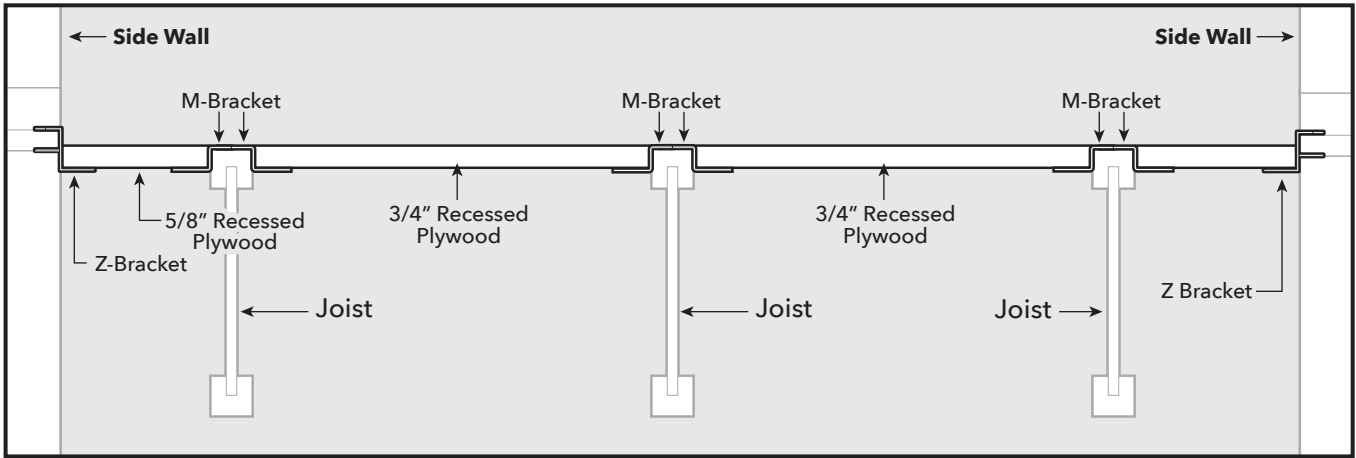


Secure plywood strip to Z-brackets and main bracket with #10 1 5/8" wood to metal self-drilling screws with wings (BB). Screw down every 10-12" minimum.

17



Repeat steps 15-16 for remaining plywood strips.



Overview of bracket and recess plywood placement (side view).



