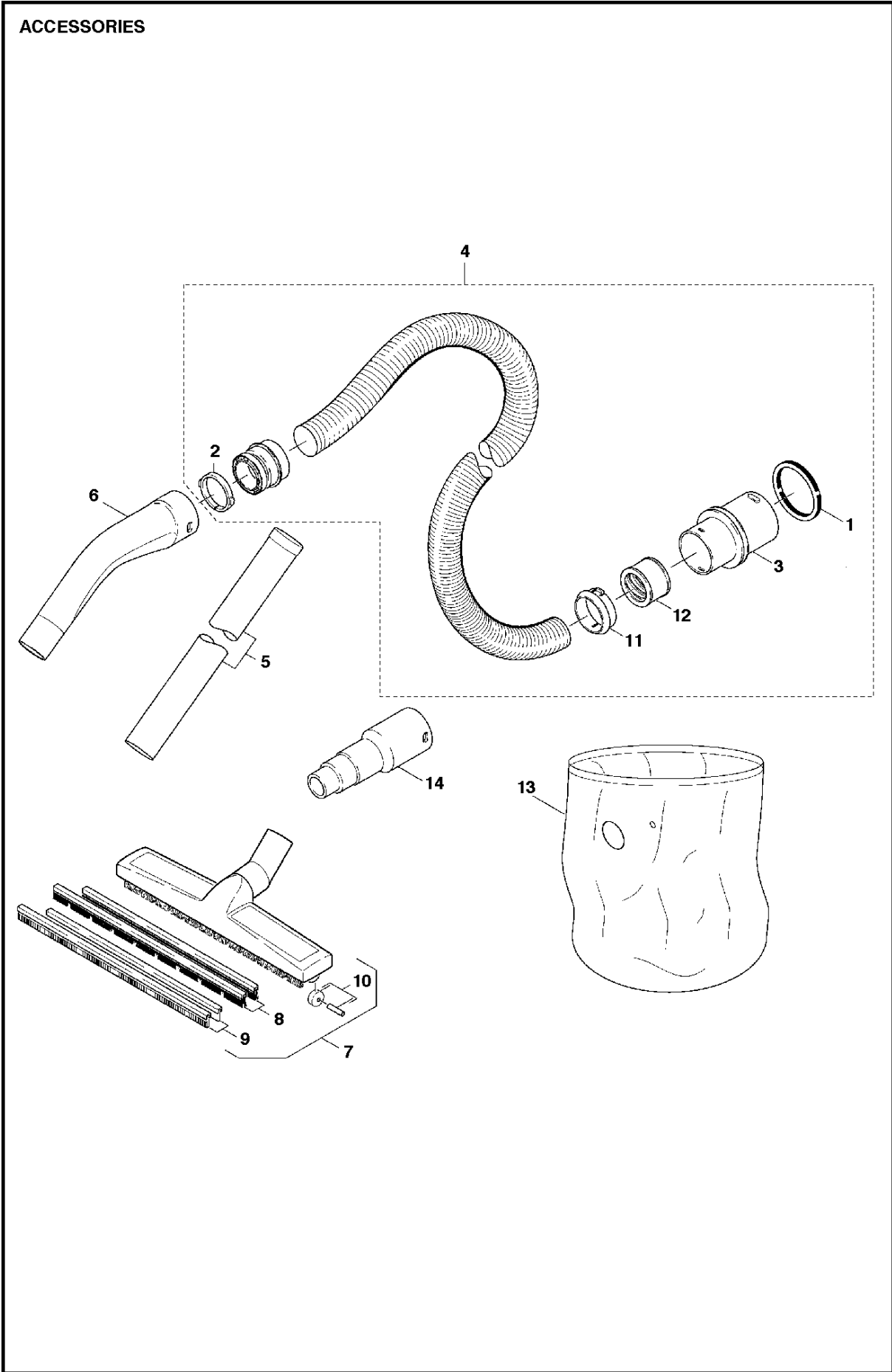




SPARE PARTS LIST

SURFACE PREPARATION EQUIPMENT

DC 3000,

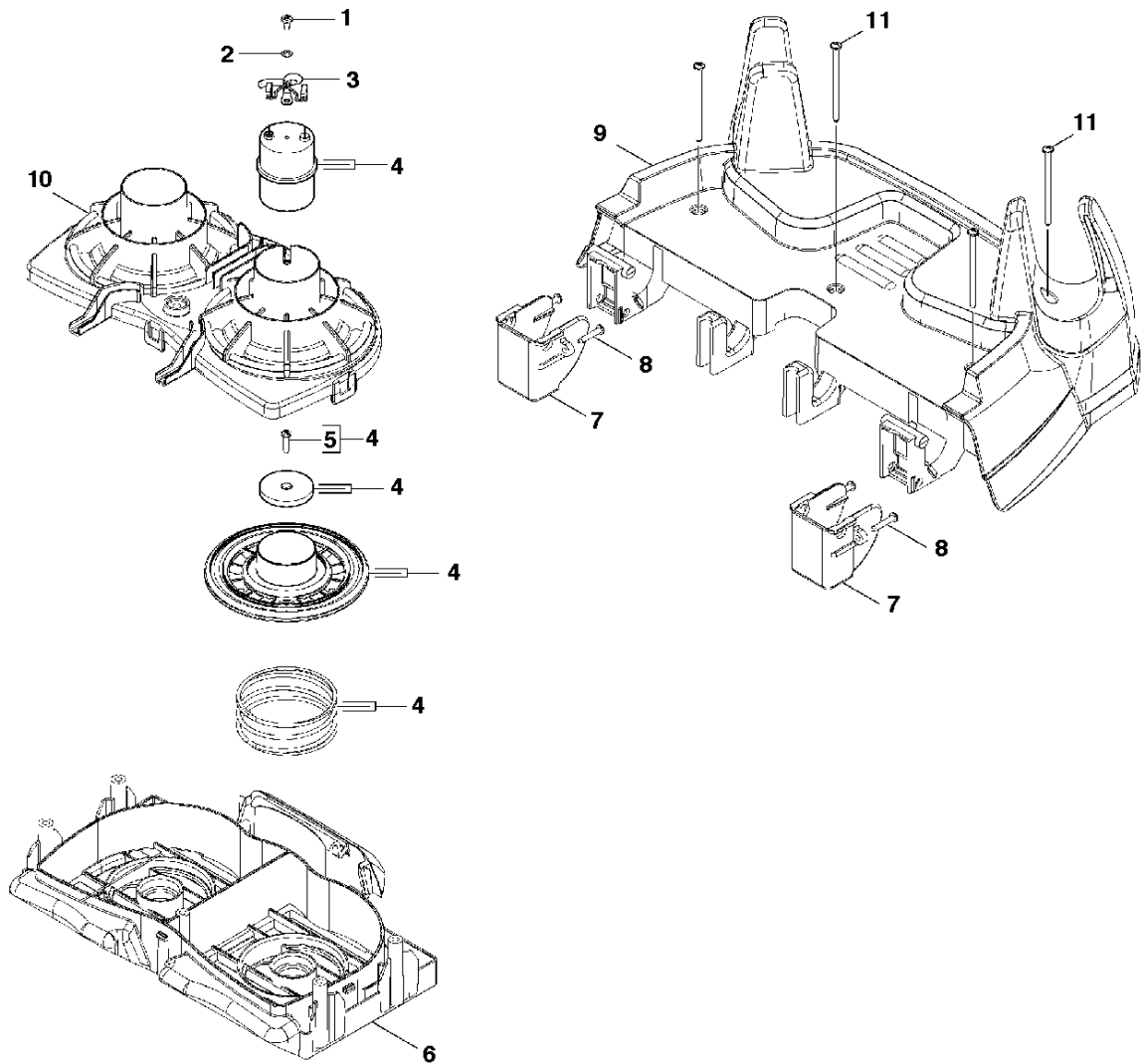


ACCESSORIES

DC 3000,

Ref	Part No	Description	Remark	QTY KIT
1	587 17 15-01	RING		1
2	579 53 49-01	LOCKING RING		1
3	579 53 50-01	COUPLING		1
4	587 17 17-01	HOSE		1
5	579 53 61-01	TUBE		2
6	579 53 52-01	ELBOW		1
7	579 53 55-01	NOZZLE ASSY	Standard, plastic	1
7	579 54 34-01	NOZZLE ASSY	Metall	1
8	579 53 57-01	BRUSH KIT		1
9	579 53 56-01	RUBBER TRACK		1
10	587 17 18-01	WHEEL ASSY		2
11	587 17 19-01	RING		1
12	587 17 20-01	RING		1
13	585 87 30-01	BAG	10 pcs	1
14	579 53 51-01	ADAPTER		1

FILTER

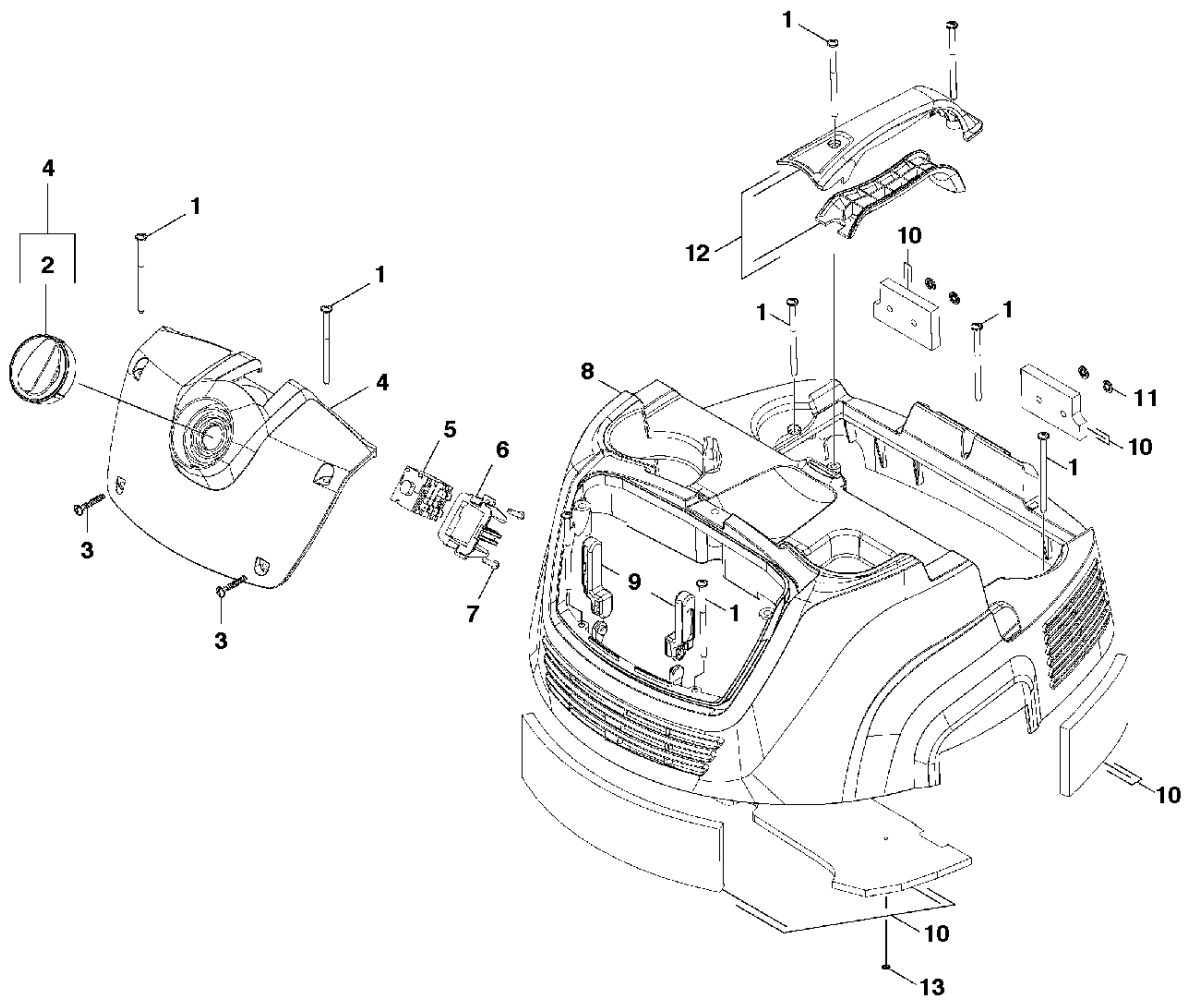


AIR FILTER

DC 3000,

Ref	Part No	Description	Remark	QTY KIT
1	579 50 06-01	SCREW		2
2	579 50 07-01	LOCK WASHER		2
3	587 16 44-01	MAGNET		1
4	587 16 45-01	MAGNET		2
5	587 16 46-01	SCREW		2
6	587 16 47-01	HOUSING		1
7	587 16 48-01	HOLDER		2
8	579 49 68-01	SCREW		4
9	587 16 49-01	AIR FILTER COVER		1
10	587 16 50-01	HOLDER		1
11	579 50 05-01	SCREW		5

COVER

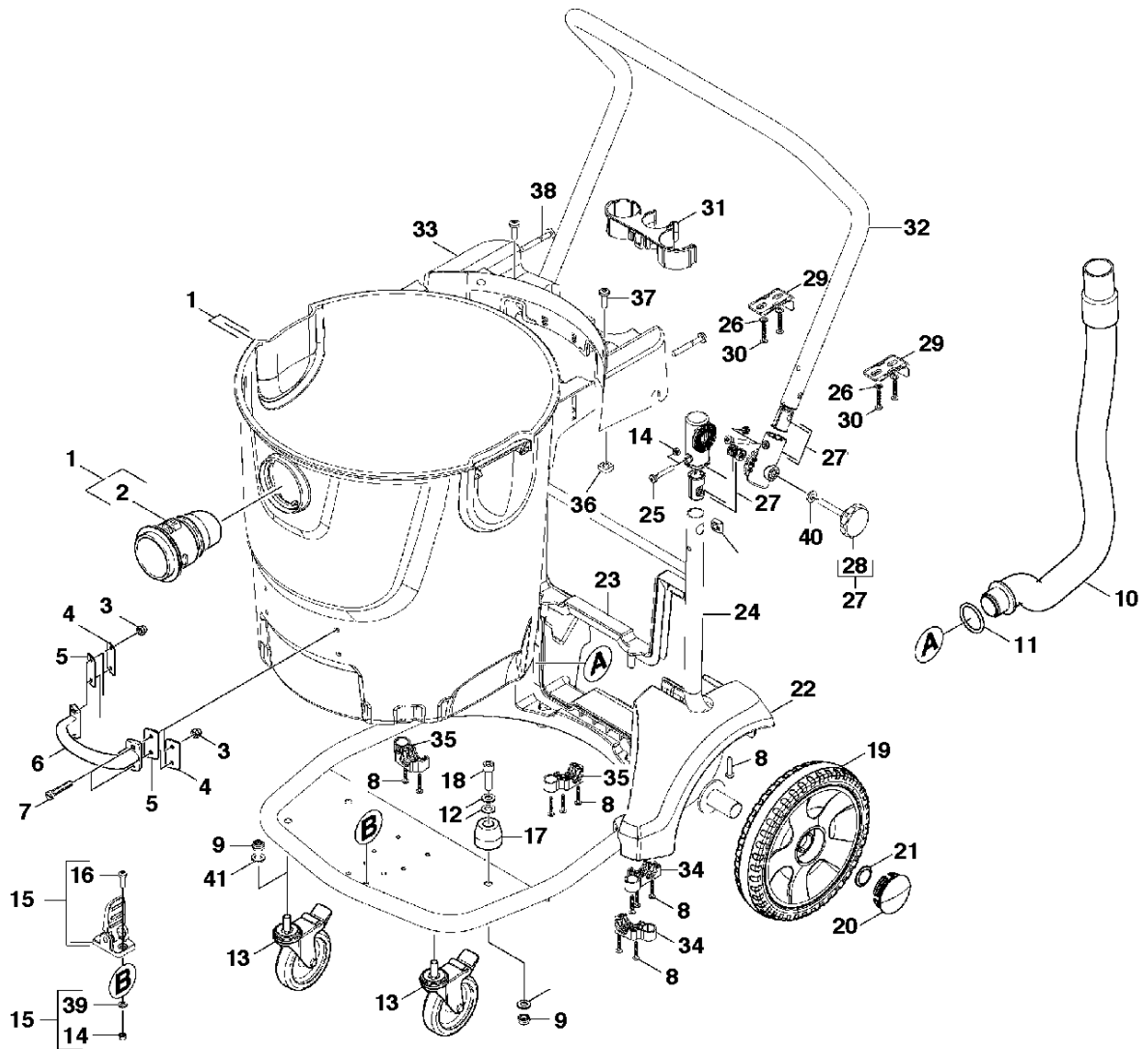


COVER

DC 3000,

Ref	Part No	Description	Remark	QTY	KIT
1	579 50 05-01	SCREW		9	
2	587 13 44-01	HANDLE		1	4
3	579 49 45-01	SCREW		2	
4	587 13 46-01	CONTROL PANEL		1	
5	587 13 47-01	SWITCH		1	
6	587 13 48-01	SWITCH		1	
7	587 13 49-01	SCREW		2	
8	587 13 50-01	COVER		1	
9	587 13 51-01	HINGE		2	
10	587 13 52-01	MAT		1	
11	579 50 02-01	FASTENER		4	
12	587 13 54-01	HANDLE ASSY		1	
13	587 13 55-01	LOCK WASHER		2	10

TANK

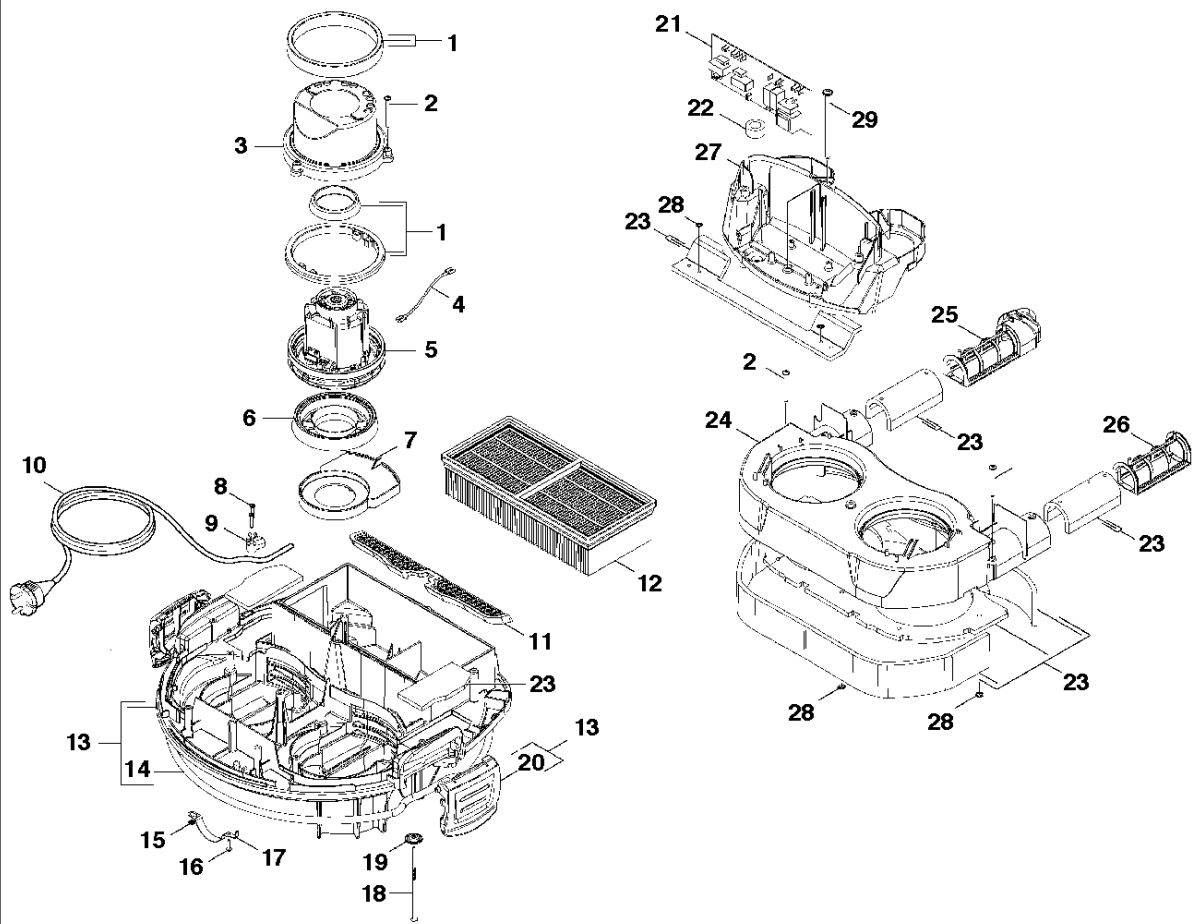


HOUSING

DC 3000,

Ref	Part No	Description	Remark	QTY	KIT
1	587 16 51-01	TANK		1	
2	579 50 25-01	CONNECTION		1	1
3	587 16 52-01	CAP NUT		4	
4	587 16 53-01	SHEET		2	
5	587 16 54-01	SEAL		2	
6	587 16 55-01	HANDLE		1	
7	587 16 56-01	SCREW		4	
8	579 49 45-01	SCREW		12	
9	579 52 11-01	HEXAGON NUT		4	
10	587 16 58-01	HOSE		1	
11	587 16 60-01	O-RING		1	
12	587 16 62-01	WASHER		6	
13	587 16 63-01	WHEEL		2	
14	587 16 64-01	NUT		6	
15	587 16 83-01	LOCK ASSY		1	
16	587 16 84-01	SCREW		2	
17	587 16 85-01	RUBBER PLUG		2	
18	587 16 86-01	SCREW		2	
19	587 16 87-01	WHEEL ASSY		1	
20	587 16 88-01	CAP		1	
21	587 16 90-01	LOCK WASHER		2	
22	587 16 92-01	COVER		1	
23	587 16 93-01	CAP		1	
24	587 16 94-01	CHASSIS ASSY		1	
25	587 16 95-01	SCREW		4	
26	587 16 97-01	PLANE WASHER		4	
27	587 16 98-01	JOINT		2	
28	587 16 99-01	GRIP		2	
29	587 17 00-01	SLIDING SHOE		2	
30	579 52 03-01	SCREW		4	
31	587 17 01-01	HOLDER		1	
32	587 17 02-01	HANDLE		1	
33	587 17 04-01	HOLDER		1	
34	587 17 05-01	AXLE		2	
35	587 17 06-01	AXLE		2	
36	587 17 07-01	SQUARE NUT		4	
37	587 17 09-01	SCREW		2	
38	587 17 10-01	SCREW		2	
39	587 17 11-01	PLANE WASHER		2	
40	587 17 12-01	SPRING WASHER		2	
41	587 17 13-01	PLANE WASHER		2	

VACUUM MOTOR



MOTOR

DC 3000,

Ref	Part No	Description	Remark	QTY	KIT
1	587 13 56-01	SEAL		2	
2	587 13 57-01	SCREW		8	
3	587 13 58-01	HOUSING		2	
4	587 13 59-01	CABLE		4	
5	587 13 60-01	MOTOR		2	
6	587 13 61-01	SEAL		2	
7	587 13 62-01	PLATE		2	
8	579 49 68-01	SCREW		2	
9	587 13 64-01	CAP		1	
10	587 13 65-01	CABLE	EU	1	
10	587712201	TBD	AUS	1	
11	587 13 66-01	SEAL		1	
12	587 13 67-01	FILTER		1	
13	587 13 69-01	PLATE		1	
14	587 13 70-01	CORD		1	13
15	579 50 01-01	SCREW		1	
16	587 13 72-01	SCREW		1	
17	587 13 73-01	SPRING		1	
18	587 13 74-01	SENSOR		2	
19	587 13 75-01	WASHER		2	
20	587 13 76-01	CLIP		2	13
21	587 13 77-01	CIRCUIT BOARD		1	
22	579 49 93-01	RING		1	
23	587 13 79-01	MAT		1	
24	587 13 80-01	HOUSING		1	
25	587 13 81-01	HOLDER		1	
26	587 13 82-01	HOLDER		1	
27	587 13 83-01	HOLDER		1	
28	587 13 55-01	LOCK WASHER		6	
29	579 50 05-01	SCREW		2	