



MANUFACTURING CORP.

www.ArtisanStyles.com

973-286-0080

CPUZ3319-D10/10

Chef Pro Sink

Model: CPUZ3319-D10/10

Dimensions

- Overall: 33" x 19" x 10"
- Overall Interior: 31" x 17" x 10"
- Left Bowl: 17" x 17" x 10"
- Right Bowl: 13" x 17" x 10"

Color/Finish

- Stainless Steel

Features

- Handmade
- 10" deep double bowl
- 16 gauge 304 stainless steel finish
- 18/10 Nickel/Chrome content
- Long lasting tight brush finish
- Tapered front arched apron design
- Stain and corrosion resistant
- V-Therm Shield™ undersurface
- Undermount

Optional Accessories

- Sink Strainers
- Grids: BG-1515S (Left) & BG-1512S (Right)
- Stainless Steel Sink Cleaner
- John Boos & Co. Cutting Board (CB1)



BG-1515S Grid
Optional

BG-1512S Grid
Optional



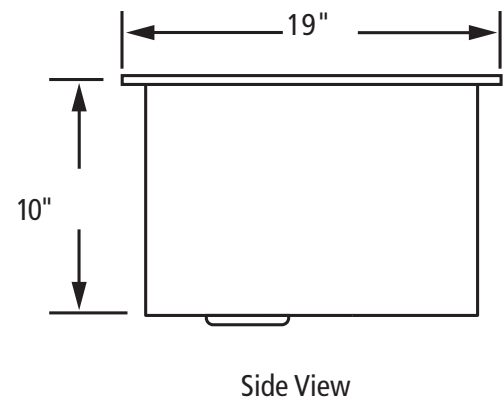
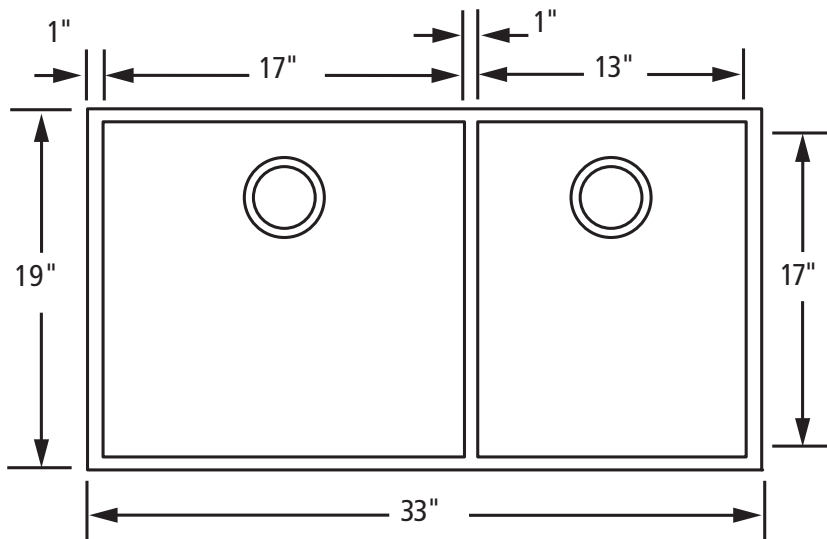
Sink Strainer
Optional



Stainless Steel Sink Cleaner
Optional



John Boos & Co. Cutting Board
Optional



Chef Pro Sink Product Specifications:

Apron sink shall include all features noted on this sheet. Sink shall be double bowl in 16 gauge 304 commercial grade stainless steel.

Sink Strainers: (2) 3.5" Strainers

Grids: BG-1515S (Left) & BG-1512S (Right)