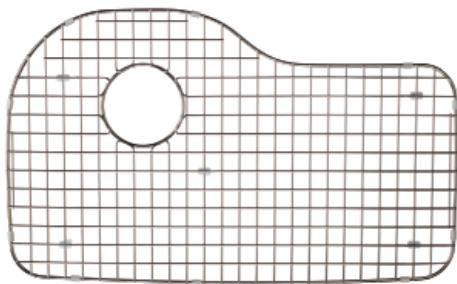


AR3120-D10 Premium 16 gauge Kitchen Sink



Sink grid: BG-25S



Sink Strainer

Model: AR3120-D10

Dimensions

- Overall Size: 30-7/8" x 20-15/16"
- Drain Opening: 3-1/2"

Color/Finish

- Stainless Steel


Features

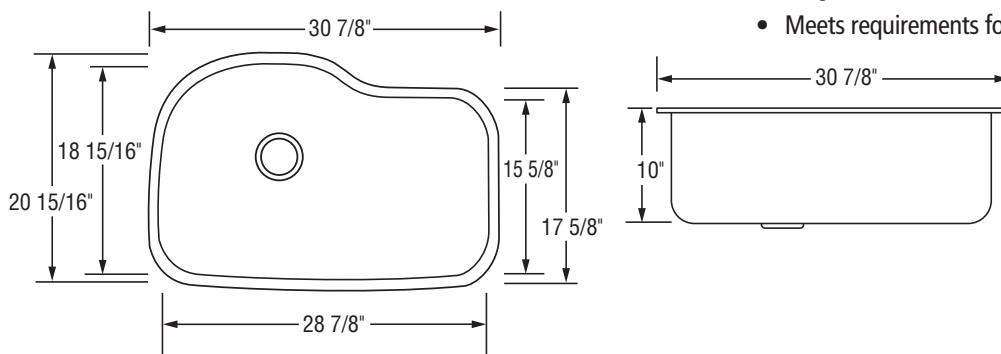
- 16 gauge 304 stainless steel finish
- Single Bowl
- Proprietary V-Therm Shield™
— Provides superior sound deadening and thermal retention
- Bulk Packs Available (4 Pieces Per Pack)

Optional Accessories

- Sink Grid: BG-25S
25-3/8" x 15-1/4" (12-1/4" on right)
- Sink Strainer

Codes/Standards Applicable

-  ASME A112.18.1-2005/CSA B125.1-05
- Meets requirements for AB1953 - January 1, 2010



Premium Kitchen Sink Product Specifications:

Undermount sink shall include features noted on this sheet. Sink shall be single bowl in the finish specified. Sink shall be Artisan model AR3120-D10

Sink Grid (specify model #) shall be: _____

Sink Drain (specify model #) shall be: _____