



Husqvarna®



Operator's manual
Manual de usuario
Manuel d'utilisation

CG 200



English (2-13)

Español (14-25)

Français (26-37)

Read the operator's manual carefully and make sure that you understand the instructions before you use the product.
Lea detenidamente el manual de usuario y asegúrese de entender su contenido antes de utilizar el producto.

Lisez attentivement le manuel d'utilisation et assurez-vous que vous en comprenez le contenu avant d'utiliser la machine.

Contents

Introduction.....	2	Troubleshooting.....	11
Safety.....	5	Transportation, storage and disposal.....	12
Assembly.....	7	Technical data.....	12
Operation.....	8	Service.....	13
Maintenance.....	10		

Introduction

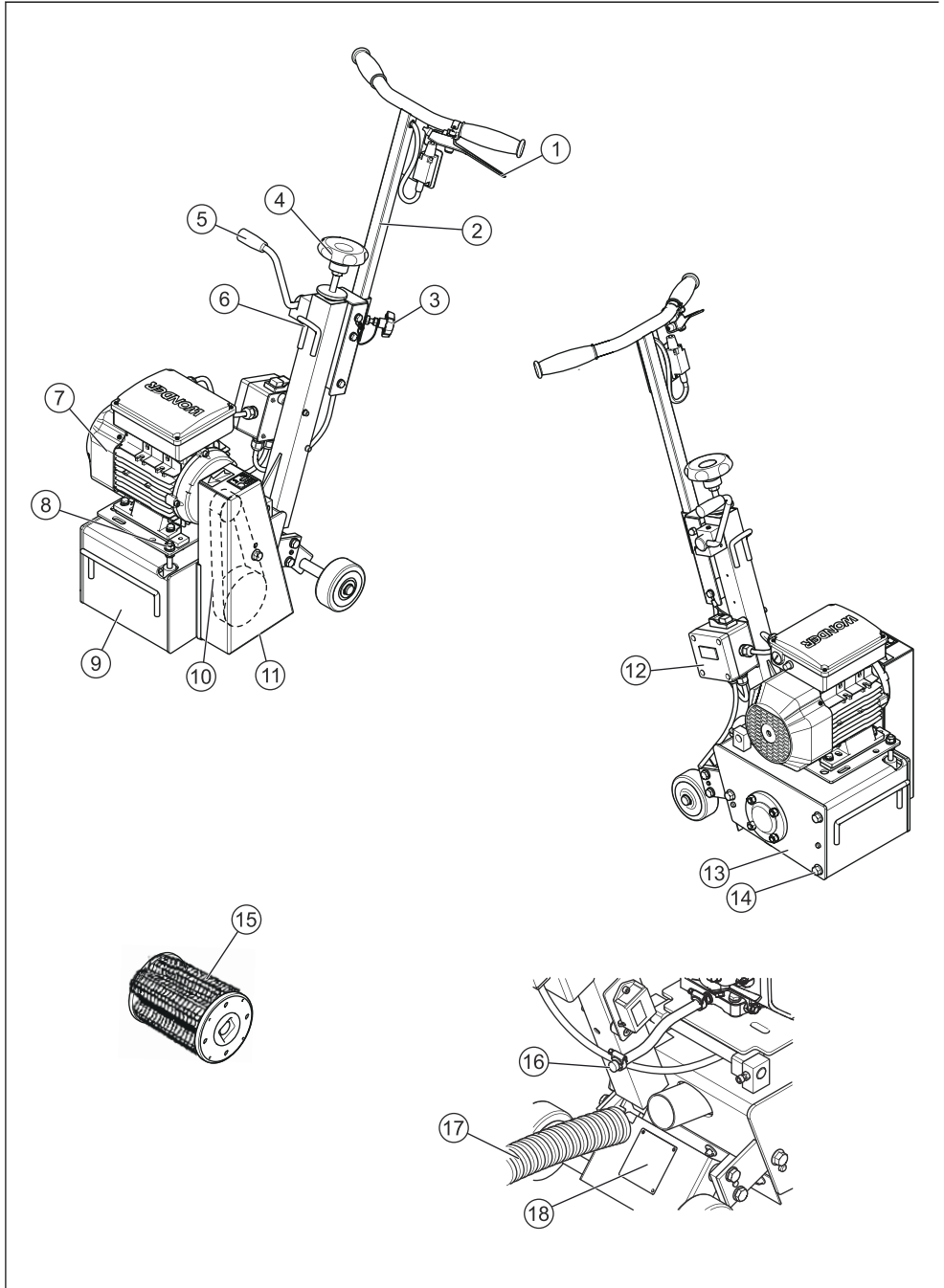
Product description

To be used on concrete, asphalt, paint and other coatings, glue and steel, and should not be used for any other purpose than described in this manual.

Intended use

For scarifying, milling grooving, texturing, and cleaning.

Product overview



1. Safety lever (operator presence control)
2. Steering shaft
3. Shaft adjustment knob
4. Depth adjustment knob (mm)
5. Quick raise/lower lever
6. Lifting eye
7. Engine / Motor
8. Belt tensioner
9. Chassis
10. Transmission
11. Belt guard
12. On / off switch
13. Drum guard plate
14. Drum guard fasteners
15. 200 mm wide drum
16. Drain extension
17. Dust extractor hose
18. Type plate



Caution, risk of cutting.



Low speed.



High speed.



Choke control.



Environmental marking. Symbols on the product or its packaging indicate that this product cannot be handled as domestic waste. It must instead be submitted to an appropriate recycling station for the recovery of electrical and electronic equipment. By ensuring that this product is taken care of correctly, you can help to counteract the potential negative impact on the environment and people that can otherwise result through the incorrect waste management of this product. For more detailed information about recycling this product, contact your municipality, your domestic waste service or the shop from where you purchased the product.

Symbols on the product



WARNING! The product can be a dangerous tool if used incorrectly or carelessly, which can cause serious or fatal injury to the operator or others.



Please read the instructions for use prior to operating the product for the first time.



This symbol indicates that the product is in conformance with the applicable European directive.



Wear personal protective equipment. See *Personal protective equipment on page 7* for instructions.



Noise emission to the environment according to the European Community's Directive. The product's emission is specified in the Technical data chapter and on the label.



Hot surface.



WARNING! Dust forms when cutting, this can cause injuries if inhaled. Use an approved breathing mask. Avoid inhaling exhaust fumes. Always provide for good ventilation.

Other symbols/decals on the product refer to special certification requirements for certain markets.

<b style="font-size: 1.5em;">WARNING
<p>The engine exhaust from this product contains chemicals known to the State of California to cause cancer , birth defects or other reproductive harm.</p>

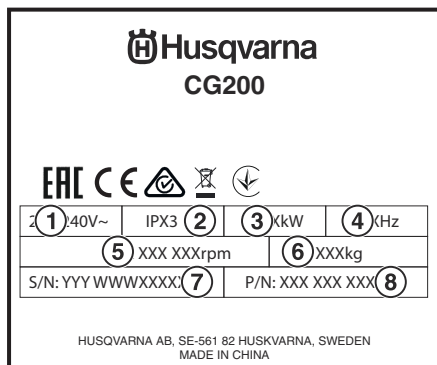
<b style="font-size: 1.5em;">ATTENTION!
<p>Les émissions du moteur de cet outil contiennent des produits chimiques qui, d'après l'État de Californie, peuvent causer le cancer, des malformations congénitales ou autre danger pour la reproduction.</p>



ATTENTION!

Los gases de escape del motor de este producto contienen sustancias químicas conocidas en el Estado de California como causantes de cáncer, defectos congénitos y otros daños reproductivos.

Type plate



1. Voltage power supply
2. Water proof
3. Nominal engine output
4. Frequency
5. Rotations per minute
6. Gross vehicle weight
7. Manufacturing date, year, week, serial number
8. Product number

Product liability

Before leaving our factory every product passes an exacting inspection programme in which everything is checked minutely. Following the instructions will ensure that your product gives long service, in normal operating conditions.

The manufacturer declines all responsibility for loss or damage resulting from misuse or any modification, alteration or powering that does not conform to the manufacturer's original specifications.

The user advice and spare parts mentioned in this document are given as an indication, and do not constitute an undertaking. No warrantee will be granted in the event of errors or omissions, or for damage occurring during delivery, or caused by the design or use of the product. We are very concerned about the quality of our products and we reserve the right to make any technical modifications to improve them, without warning.

Safety

Safety definitions

Warnings, cautions and notes are used to point out specially important parts of the operator's manual.



WARNING: Used if there is a risk of injury or death for the operator or bystanders if the instructions in the manual are not obeyed.



CAUTION: Used if there is a risk of damage to the product, other materials or the adjacent area if the instructions in the manual are not obeyed.

Note: Used to give more information that is necessary in a given situation.

General safety instructions



WARNING: Please read the operator's manual carefully and make sure you understand the instructions before using the product.

The product is designed to provide safe and reliable service in operating conditions corresponding with the instructions, but it can present dangers for the user and risks of damage, consequently regular on site inspection is necessary to ensure:

- Perfect technical condition (use for the purpose for which it is intended and taking into account any risks, and correction of any malfunction detrimental to safety).
- That the warnings and instructions marked on the product are followed (adequate personal protection, correct use, general safety instructions, etc).
- **The product is not intended for use by persons (including children) with reduced physical, sensory or mental capabilities, or lack of experience and knowledge.**
- **Children shall be supervised not to play with the appliance.**
- That the product is for commercial use.
- That overexposure to vibration can lead to circulatory damage or nerve damage in people who have impaired circulation. Contact your doctor if you experience symptoms of overexposure to vibration. Such symptoms include numbness, loss of feeling, tingling, pricking, pain, loss of strength, changes in skin colour or condition. These symptoms normally appear in the fingers, hands or wrists. These symptoms may be increased in cold temperatures.
- Cutting, especially when DRY cutting, generates dust that comes from the material being cut, which frequently contains silica. Silica is a basic component of sand, quartz, brick clay, granite and numerous other minerals and rocks. Exposure to excessive amount of such dust can cause:
 - Respiratory disease (affecting your ability to breath), including chronic bronchitis, silicosis and pulmonary fibrosis from exposure to silica. These diseases may be fatal.
 - Skin irritation and rash.
 - Cancer according to NTP* and IARC* */ National Toxicology Program, International Agency for Research on Cancer
- Take precautionary steps:
 - Avoid inhalation of and skin contact with dust, mist and fumes.
 - Wear and ensure that all bystanders wear appropriate respiratory protection such as dust masks designed to filter out microscopic particles. (See OSHA 29 CFR Part 1910.1200)
 - Wet cut when feasible, to minimize dust.



WARNING: Do not allow the supply cord to come in contact with rotating brushes.

Note: Operator's manual should always be available at the place of work. It should be read and used by any person installing or using the product. The obligatory technical regulations in force in the country where the product is used must also be adhered to for maximum safety.

Safety instructions for assembly

The original drums from manufacturers' should be used. Do not use any other drum whose shape, size and mounting do not fit the product.

Check that the parts are properly fixed (no abnormal vibration) and that it is correctly assembled.

No modification, transformation or addition that is detrimental to safety and that it is carried out without prior authorization from the manufacturer should be done.

Safety instructions for operation



WARNING: This section describes basic safety directions for using the product. This information is never a substitute for professional skills and experience. If you get into a situation where you feel unsafe, stop and seek expert advice. Contact your dealer, service agent or an experienced user. Do not attempt any task that you feel unsure of!



WARNING: The toolshaft rotates when the engine is started.



WARNING: Be aware of hot muffler. Use gloves/safety gear.

Those who operate this product should be competent staff (qualifications, age, training) who have read and understood the manual in detail before starting work. Any electrical, mechanical or other problem should be investigated by a qualified maintenance engineer (electrician, maintenance manager, approved dealer, etc.).

- When the product is received check its condition.
- Always keep the product clean.
- Always keep alert when working.

Personal protective equipment



WARNING: You must use approved personal protective equipment whenever you use the product. Personal protective equipment cannot eliminate the risk of injury but it will reduce the degree of injury if an accident does happen. Ask your dealer for help in choosing the right equipment.



WARNING: The use of products such as cutters, grinders, drills, that sand or form material can generate dust and vapors which may contain hazardous chemicals. Check the nature of the material you intend to process and use an appropriate breathing mask. Long-term exposure to noise can result in permanent hearing impairment. Always use approved hearing protection. Listen for warning signals or shouts when you are wearing hearing protection. Always remove your hearing protection as soon as the engine stops.

Always wear:

- Approved protective helmet.
- Hearing protection.
- Approved eye protection. If you use a face shield then you must also wear approved protective goggles.
- Breathing mask.
- Heavy-duty, firm grip gloves.
- Tight-fitting, heavy-duty and comfortable clothing that permits full freedom of movement.
- Boots with steel toe-caps and non-slip sole.
- Always have a first aid kit nearby.

Fuel safety

The level of the fuel and oil need be checked regularly. Consult the engine manufacturer manual if necessary.



WARNING: Take into account the working conditions from health and safety point of view.



WARNING: Running an engine in a confined or badly ventilated area can result in death due to asphyxiation or carbon monoxide poisoning. Use fans to ensure proper air circulation when working in trenches or ditches deeper than one meter (3 foot).



WARNING: Fuel and fuel fumes are highly flammable and can cause serious injury when inhaled or allowed to come in contact with the skin. For this reason observe caution when handling fuel and make sure there is adequate ventilation. The exhaust fumes from the engine are hot and may contain sparks which can start a fire. Never start the product indoors or near combustible material!



WARNING: Do not smoke and do not place any hot objects in the vicinity of fuel.

Safety instructions for maintenance



WARNING: Inspection and/or maintenance should be carried out with the motor switched off and the plug disconnected.



CAUTION: Drum inspection is carried out through the side plate. Product tilted backwards rested on the handlebar leads to damaging oil leakage.

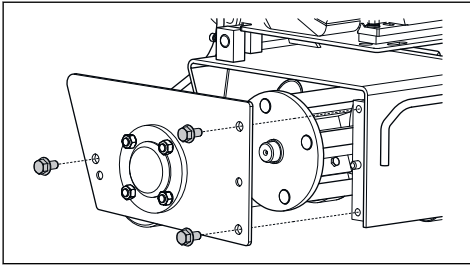
We recommend that the respect of the maintenance intervals and periodical checks should be obey and implemented and only genuine spare parts be used for repairs and maintenance.

Assembly

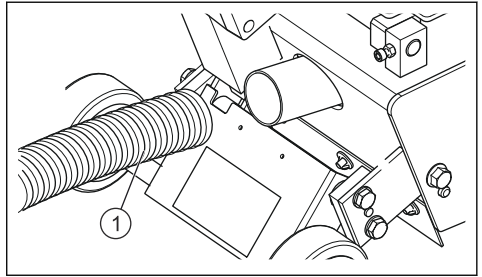
To interchange the drums

1. Unscrew the three screws.
2. Remove the side plate.

3. Fit the drum and slid it on its shaft.



1. Connect the dust extractor (1) to the product.



To connect the dust extractor

Always use a vacuum cleaner to minimize dust. Make sure that the filters in the vacuum cleaner are intact and clean. Pay attention to dust during operation.

Operation

Introduction



WARNING: Please read the operator's manual carefully and make sure you understand the instructions before using the product.



WARNING: Wear personal protective equipment. See *Personal protective equipment on page 7* for instructions.



WARNING: Make sure no unauthorised persons are in the working area, otherwise there is a risk of serious personal injury.



WARNING: Check that the product is assembled correctly and do not show any signs of damage.

To start up

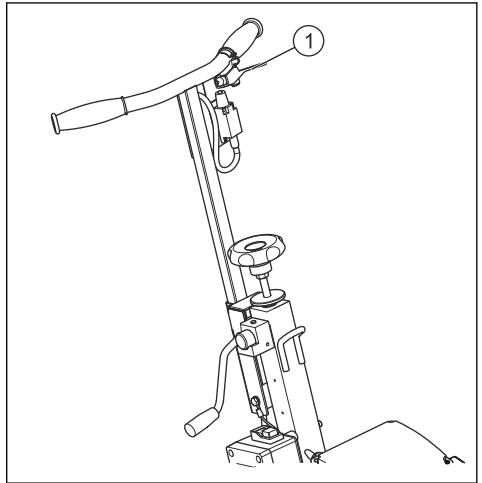


CAUTION: The operator position is behind the product keeping both hands on the handles. Maintain a safe distance to the rotating tool. Make sure that no pipes or electrical cables are routed in the working area or in the material to be cut. Do not leave the product unattended while the engine is running.

Note: When the product is engaged it will move forward uncontrolled due to the activated drum.

1. To start the product, grasp the operator presence control handle on the steering shaft.

2. The motor stops if operator presence control handle (1) is released.



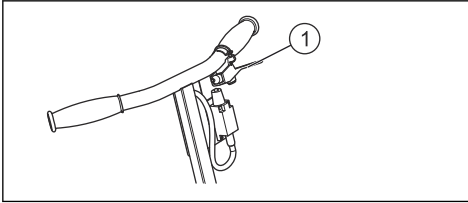
3. Check regularly that it operates correctly. Do not lock it in position.

To start the fuel product

1. To start the motor, see the motor manufacturer manual.
2. Let the motor warm up.

To stop the product

1. To stop the product, release the operator presence control handle (1).



To choose a cutting head

Different cutting heads can be applied to different situations. There are mainly three cutting heads you can choose to use, the star cutting head, the beam cutting head, and the carbide cutting head.

- Use the star cutting head to clean or remove the epoxy paint, oil and glazes, glue, thermo plastic road marking.
- The beam cutting head can be used for light preparation of asphalt and concrete, for cleaning out antiskid grooving such as on ramps, for descaling steel and the cleaning of roads ready for line marking.
- Use the carbide cutting head to texture the asphalt and concrete.

To mill the concrete

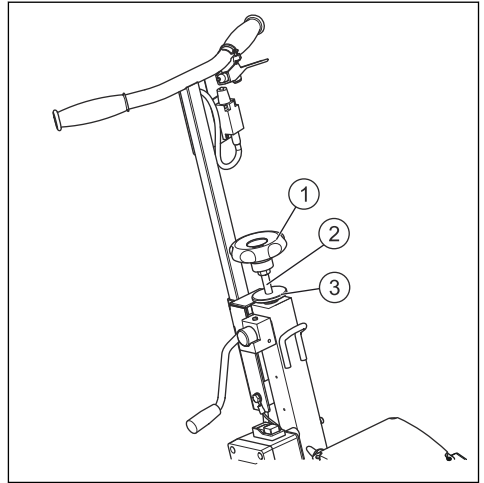
Note: Cutting depth is maximum 3 mm (1/8"), for deeper cuts make several passes.

1. Pass the product over several times according to the nature of the concrete.
2. Check the concrete and stop milling if the desired result is obtained.

To adjust the cutting depth

The cutting depth can be adjusted depending on the need.

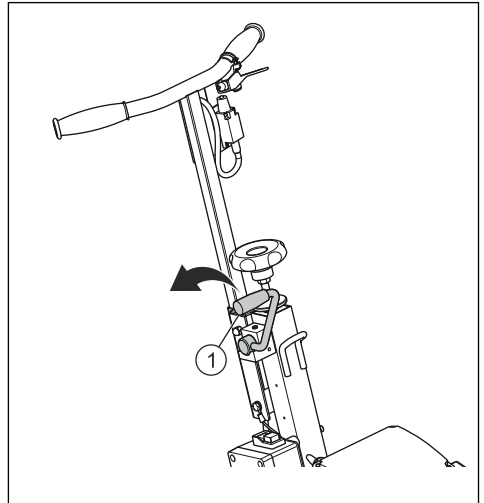
1. Adjust the fly-wheel (1) that will act on the screw (2).



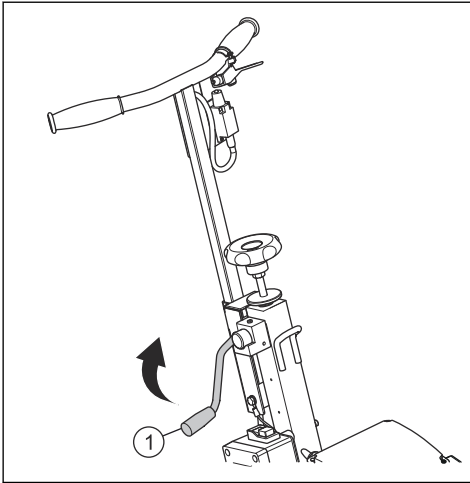
2. Turn the nut (3) to lock the screw and secure the cutting depth.

To disengage and engage the drum

1. Pull lever (1) backwards to disengage the drum.



2. Push the lever (1) forward to engage the drum.



Maintenance

Introduction



WARNING: Disconnect the product from the power supply before you do maintenance.



CAUTION: Maintain the tools carefully.

To check before operation

1. Check the engine oil.
2. Carry out a general inspection checking that no nuts or bolts are loose.

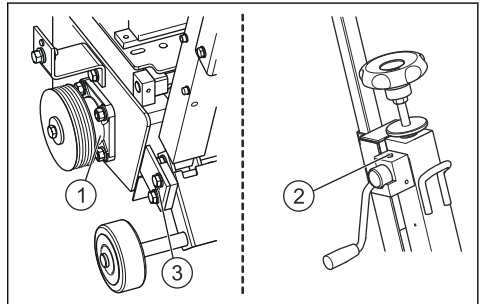
To check after operation.



CAUTION: Dispose of the old oil as laid down by the regulations in force.

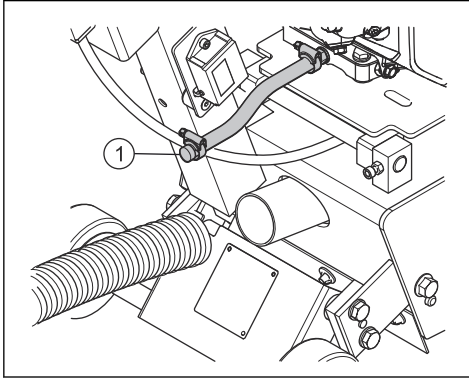
1. Clean the product.

2. Lubricate the grease nipples on the wheelbase (1), depth adjustment bearing (2) and on the roller bearings (3).

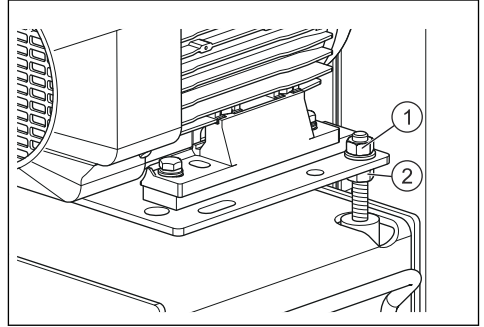


3. See the engine manual for motor oil replacement .

4. To drain the engine oil, place a funnel at the drain outlet (1).



1. Check the belt tension weekly.
2. Tight the lock nut (1) and nut (2) to set the belt tension. Do not overtighten.



To check the belt tension



WARNING: Never set belts beyond original tension.

Troubleshooting

Equipment troubleshooting

In the event of faulty operation refer to the tables below to find a solution.



WARNING: Inspection and/or maintenance should be carried out with the motor switched off and the plug disconnected.

PROBLEMS	CAUSES	REMEDIES
Motor or drum does not rotate	Not plugged in properly or cable damaged	Make sure that the supply is correctly plugged in (plug, extension lead, etc). Check the supply cable.
	No main voltage	Test or have tested by an electrician (circuit breaker, plug, etc).
	Switch defective, motor cable damaged	Have tested by an electrician or contact the service department.
	Motor faulty (no power, unpleasant smell)	Contact the service department to have the motor replaced.
	Does not start (petrol engine)	Refer to engine service instructions or contact after sales service if the engine stopped or find the spark plug faulty or loose.
	Belt broken	Contact the parts department for a replacement.
	Drum stuck	Ensure the product is disconnected from the power. Check that the drum rotates, remove whatever prevents the rotation.
Difficult to start	Drum rubs against ground	Free the drum to make it easier to start.
	Motor start capacitor	Replace the capacitor.

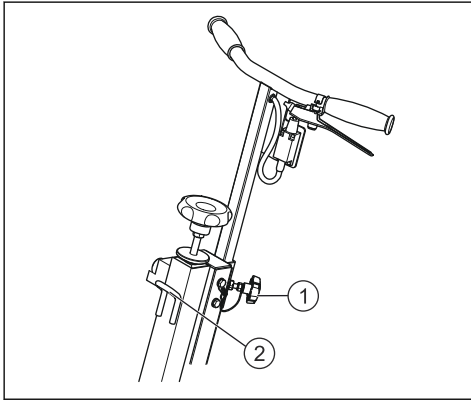
PROBLEMS	CAUSES	REMEDIES
Ineffective operation with jerks and considerable vibration	Drum position too low	Check the drum (mills) fixture. Change the drum or the cutters, brush, and so on.
	Tools worn out	
	Groove or mill makes abnormal vibration	Check the rotation of the cutters on the four shafts. Change the drum or the cutters.
	Abnormal cutter wear	

Transportation, storage and disposal

Transportation

Consider the following points when transporting the product.

- The height of the steering shaft can be adjusted by rotating the knob (1).



- Upon installation at the work site, the product can be moved without running the engine simply by pushing it along on its three wheels.
- A lifting eye (2) enables the lifting of the product.

Storage



WARNING: Store in a dry place in an upright position, not accessible to children.

Disposal

In the event of deterioration and scrapping of the product, the following items must be disposed of in accordance with the requirements of the legislation in force.

- Motor : Aluminium (AL), Steel (AC), Copper (CU), Polyamide (PA)
- Product : Steel sheet (AC), Cast iron (FT), Aluminium (AL)

Technical data

Equipment technical data

CG 200	Gasoline 5hp	Gasoline 9hp
Cutting depth, max, mm	13	13
Useful working width, mm	200	200
Rated Voltage (V)	N/A	N/A
Weight (no fuel, no oil, excluding tools), kg	54	64
Dimensions (L x W x H), mm	780 x 470 x 730	840 x 530 x 730
Drum rotation speed (maximum off load), rpm	1350	1350

CG 200	Gasoline 5hp	Gasoline 9hp
Oil gearbox drive motor, Quality/Standard	See motor manufacturer manual	See motor manufacturer manual
Noise emissions¹		
Sound power level, measured dB(A)	113	114
Sound power level, guaranteed L _{WA} dB(A)	114	116
Sound levels²		
Sound pressure level at the operators ear, dB(A)	100,1	101,3
Vibration levels, a_{hv}³		
Handle right, m/s ²	12,8	10,1
Handle left, m/s ²	11,0	9,8

Service

Product service



CAUTION: All types of repairs may only be carried out by authorised repairmen.

For quick supply of spare parts and to avoid any lost time it is essential to quote the data on the manufacturer's plate fixed to the product and the part number of the part to be replaced with every order.

¹ Note 1: Noise emissions in the environment measured as sound power (L_{WA}) according to EN 60335-2-72.

² Note 2: Sound pressure level according to EN 60335-2-72. Expected measurement uncertainty 1.5 dB(A).

³ Note 3: Vibration level according to EN 60335-2-72. Reported data for vibration level has a typical statistical dispersion (standard deviation) of 1,5 m/s².

Contenido

Introducción.....	14	Resolución de problemas.....	23
Seguridad.....	17	Transporte, almacenamiento y eliminación.....	24
Montaje.....	20	Datos técnicos.....	24
Funcionamiento.....	20	Servicio técnico.....	25
Mantenimiento.....	22		

Introducción

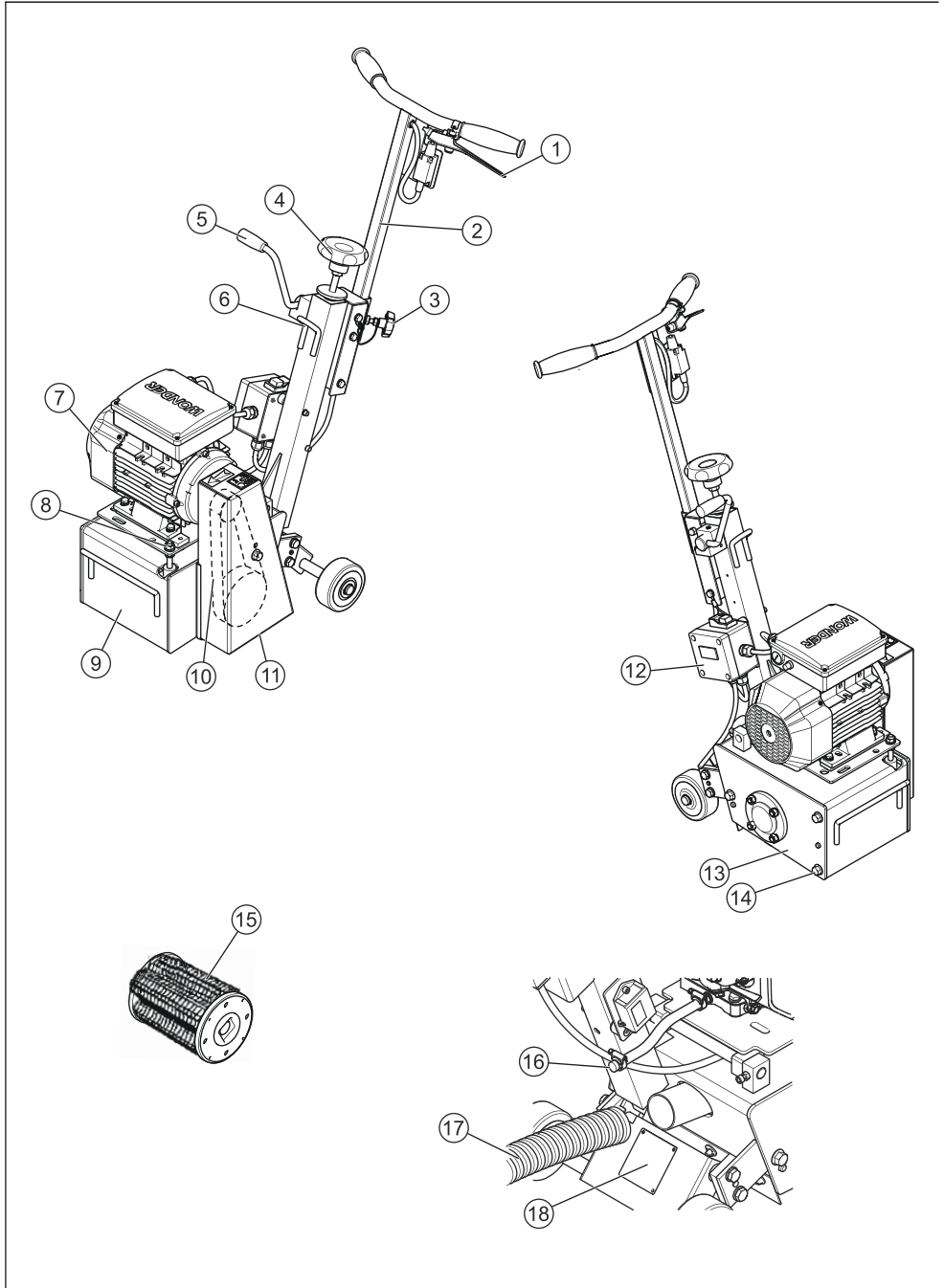
Descripción del producto

Para uso en hormigón, asfalto, pintura y otros revestimientos, pegamento y acero; no debe utilizarse para fines distintos a los descritos en este manual.

Uso previsto

Para escarificación, fresado de ranuras, texturizado y limpieza.

Descripción del producto



1. Palanca de seguridad (control de presencia del operario)
2. Eje de la dirección
3. Perilla de ajuste del eje
4. Perilla de ajuste de la profundidad (mm)
5. Palanca de elevación/descenso rápidos
6. Argolla de suspensión
7. Motor
8. Tensor de correa
9. Chasis
10. Transmisión
11. Protección de la correa
12. Interruptor de encendido/apagado
13. Placa de protección del tambor
14. Tornillos de la placa de protección del tambor
15. Tambor de 200 mm de ancho
16. Extensión de drenaje
17. Manguera extractora de polvo
18. Placa de identificación



Precaución. Riesgo de corte.



Baja velocidad.



Alta velocidad.



Control del estrangulador



Marca medioambiental. Los símbolos del producto o del embalaje indican que este producto no puede desecharse como residuo doméstico. En lugar de ello, debe enviarse a una estación de reciclaje apropiada para la recuperación de aparatos eléctricos y electrónicos. Si se asegura de que se trata este producto correctamente, puede ayudar a contrarrestar el posible impacto negativo para el medio ambiente y las personas que podría darse por una gestión incorrecta de los residuos del mismo. Si desea información más detallada sobre el reciclaje de este producto, póngase en contacto con su ayuntamiento, el servicio de recogida de basuras o la tienda donde lo adquirió.

Símbolos que aparecen en el producto



ADVERTENCIA El producto, si se utiliza de forma errónea o descuidada, puede ser una herramienta peligrosa que puede causar daños graves e incluso la muerte al usuario y a otras personas.



Lea las instrucciones de uso antes de utilizar el producto por primera vez.



Este símbolo indica que el producto cumple la directiva europea aplicable.



Utilice el equipo de protección personal. Consulte *Equipo de protección personal en la página 19* para obtener instrucciones.



Las emisiones sonoras en el entorno según la directiva de la Comunidad Europea. Las emisiones del producto se indican en el capítulo «Datos técnicos» y en la etiqueta.



Superficie caliente.



ADVERTENCIA Al cortar se genera polvo que puede causar daños por inhalación. Utilice una máscara respiratoria homologada. Evite inhalar los gases de escape. Procure que haya buena ventilación.

Los demás símbolos/etiquetas que aparecen en el producto corresponden a requisitos de homologación específicos en determinados mercados.

	<h2>WARNING</h2>
<p>The engine exhaust from this product contains chemicals known to the State of California to cause cancer, birth defects or other reproductive harm.</p>	

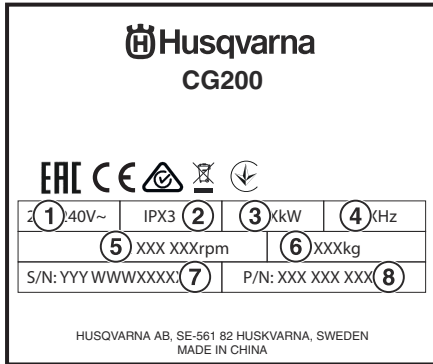
	<h2>ATTENTION!</h2>
<p>Les émissions du moteur de cet outil contiennent des produits chimiques qui, d'après l'État de Californie, peuvent causer le cancer, des malformations congénitales ou autre danger pour la reproduction.</p>	



ATTENTION!

Los gases de escape del motor de este producto contienen sustancias químicas conocidas en el Estado de California como causantes de cáncer, defectos congénitos y otros daños reproductivos.

Placa de identificación



1. Fuente de alimentación eléctrica
2. Impermeabilidad
3. Potencia nominal del motor
4. Frecuencia
5. Rotaciones por minuto
6. Peso bruto del vehículo
7. Fecha de fabricación, año, semana, número de serie
8. Número de producto

Fiabilidad del producto

Antes de abandonar la fábrica, cada producto pasa un riguroso programa de inspección donde todo se comprueba minuciosamente. Seguir estas instrucciones garantiza un funcionamiento prolongado del producto en condiciones normales de funcionamiento.

El fabricante declina cualquier responsabilidad por pérdidas o daños resultantes del mal uso o de cualquier modificación, alteración o alimentación que no se ajuste a las especificaciones originales del fabricante.

Los consejos para usuarios y las piezas de repuesto mencionados en este documento se dan a título indicativo, y no constituyen un compromiso. No se concede garantía alguna en caso de errores u omisiones, ni por daños ocurridos durante la entrega o causados por el diseño o el uso del producto. Nos preocupa la calidad de nuestros productos y nos reservamos el derecho de realizar modificaciones técnicas para mejorarlas sin previo aviso.

Seguridad

Definiciones de seguridad

Las advertencias, precauciones y notas se utilizan para destacar información especialmente importante del manual de usuario.



ADVERTENCIA: Indica un riesgo de lesiones o incluso de muerte del operador o de las personas cercanas si no se respetan las instrucciones del manual.



PRECAUCIÓN: Indica un riesgo de daños en el producto, otros materiales o el área adyacente si no se respetan las instrucciones del manual.

Nota: Se usa para proporcionar más información necesaria en una situación determinada.

Instrucciones generales de seguridad



ADVERTENCIA: Lea detenidamente el manual de usuario y asegúrese de entender su contenido antes de utilizar el producto.

El producto está diseñado para proporcionar un servicio seguro y fiable en las condiciones de funcionamiento correspondientes a las instrucciones. Sin embargo, puede constituir un peligro y revestir riesgo de daños para el usuario, por lo que la inspección periódica es necesaria a fin de garantizar los siguientes aspectos:

- Perfecto estado técnico (uso según los fines para los que se ha diseñado y teniendo en cuenta cualquier riesgo, así como corrección de cualquier anomalía que merme la seguridad).
- Seguimiento de las advertencias e instrucciones marcadas en el producto (protección personal adecuada, uso correcto, instrucciones generales de seguridad, etc.).
- **El producto no está pensado para que lo utilicen personas (incluidos niños) con discapacidades físicas, sensoriales o mentales, o bien sin la experiencia o conocimientos suficientes.**
- **Los niños deben estar bajo supervisión para garantizar que no jueguen con el aparato.**
- La idoneidad del producto para uso comercial.
- La sobreexposición a las vibraciones puede provocar problemas circulatorios y dolencias de carácter nervioso, especialmente en personas con patologías circulatorias. Acuda a un médico si nota síntomas corporales que puedan relacionarse con la sobreexposición a las vibraciones. Son ejemplos de tales síntomas la pérdida de sensibilidad, el 'cosquilleo', las 'punzadas', el dolor, la pérdida o reducción de la fuerza normal o los cambios en el color y la superficie de la piel. Estos síntomas se presentan normalmente en dedos, manos y muñecas. Los síntomas pueden aumentar en temperaturas frías.
- Al cortar, especialmente cuando se corta en seco, se genera polvo procedente del material que se está cortando y, con frecuencia, este contiene sílice. El sílice es un componente básico de la arena, el cuarzo, la arcilla de los ladrillos, el granito y otros muchos minerales y rocas. La exposición a una cantidad excesiva de este polvo puede causar:
 - Enfermedad respiratoria (que afecte a su capacidad de respirar), incluidas bronquitis crónica, silicosis y fibrosis pulmonar producidas por la exposición al sílice. Estas enfermedades pueden ser mortales.
 - Irritación de la piel y sarpullido.
 - Cáncer según la NTP* y la IARC* *Programa Nacional de Toxicología y Agencia Internacional para la Investigación del Cáncer de los EE. UU.
- Tome medidas preventivas:

- Evite la inhalación y el contacto con la piel de polvo, vapor y humos.
- Lleve y asegúrese de que todas las personas a su alrededor lleven la protección respiratoria adecuada, como mascarillas diseñadas para filtrar partículas microscópicas. (Consulte la normativa OSHA 29 CFR Parte 1910.1200)
- Corte en húmedo siempre que sea posible para reducir al mínimo el polvo.



ADVERTENCIA: No permita que el cable de alimentación entre en contacto con las escobillas giratorias.

Nota: El manual de usuario debe estar siempre disponible en el lugar de trabajo. Cualquier persona que instale o utilice el producto debe leerlo y utilizarlo. Además, para garantizar la máxima seguridad, también se debe respetar la normativa técnica obligatoria en vigor en el país donde se utilice el producto.

Instrucciones de seguridad para el montaje

Deben utilizarse los tambores originales del fabricante. No utilice ningún otro tambor cuya forma, tamaño o montaje no encajen en el producto.

Compruebe que las piezas estén bien fijas (sin vibraciones anómalas) y correctamente montadas.

No debe realizarse ninguna modificación, transformación o adición que merme la seguridad ni que se lleve a cabo sin previa autorización del fabricante.

Instrucciones de seguridad para el funcionamiento



ADVERTENCIA: Este apartado trata las normas de seguridad básicas para trabajar con el producto. En ningún caso, su contenido podrá sustituir a los conocimientos, formación y experiencia práctica de un profesional. Por consiguiente, cuando no esté seguro de cómo utilizar la máquina, consulte a un experto. Consulte a su distribuidor, al taller de servicio técnico o a un usuario experimentado. ¡Evite los trabajos para los que no se sienta suficientemente cualificado!



ADVERTENCIA: El eje de la herramienta gira cuando arranca el motor.



ADVERTENCIA: Tenga cuidado con el silenciador caliente. Utilice guantes/ protecciones de seguridad.

Toda persona que utilice este producto debe ser personal cualificado (títulos, edad, formación) que haya leído detenidamente y entendido el manual antes de iniciar el trabajo. Cualquier problema eléctrico, mecánico o de otra índole debe ser investigado por un ingeniero de mantenimiento cualificado (electricista, director de mantenimiento, concesionario autorizado, etc.).

- Al recibir el producto, compruebe su estado.
- Mantenga siempre limpio el producto.
- Esté siempre alerta mientras trabaja.

Equipo de protección personal



ADVERTENCIA: Para trabajar con el producto debe utilizarse un equipo de protección personal homologado. El equipo de protección personal no elimina el riesgo de lesiones, pero reduce su efecto en caso de accidente. Pida a su distribuidor que le asesore en la elección del equipo.



ADVERTENCIA: El uso de productos como cortadoras, amoladoras o taladradoras que liján o sueltan material pueden generar polvo y vapores que pueden contener productos químicos perniciosos. Compruebe la naturaleza del material que pretende procesar y utilice una máscara respiratoria adecuada. La exposición prolongada al ruido puede causar daños crónicos en el oído. Utilice siempre protectores auriculares homologados. Cuando use protectores auriculares preste siempre atención a las señales o llamadas de advertencia. Quítese siempre la protección de oídos en cuanto se detenga el motor.

Utilice siempre:

- Casco protector homologado.
- Protectores auriculares.
- Protección ocular homologada. Si utiliza un protector facial, debe utilizar también gafas protectoras homologadas.
- Máscara respiratoria.
- Guantes resistentes de agarre seguro.
- Prendas de vestir ceñidas, resistentes y cómodas que permitan una libertad de movimientos total.
- Botas con puntera de acero y suela antideslizante.
- Tenga siempre a mano el equipo de primeros auxilios.

Seguridad en el uso del combustible

El nivel de combustible y aceite debe comprobarse con regularidad. Consulte el manual del fabricante del motor en caso necesario.



ADVERTENCIA: Preste atención a las condiciones de trabajo desde el punto de vista de la salud y la seguridad.



ADVERTENCIA: Si se hace funcionar el motor en un local cerrado o mal ventilado, se corre riesgo de muerte por asfixia o intoxicación con monóxido de carbono. Utilice ventiladores para asegurar una circulación del aire adecuada cuando trabaje en zanjas o fosos con más de un metro de profundidad (3 pies).



ADVERTENCIA: El combustible y los vapores de combustible son muy inflamables y pueden causar daños graves por inhalación y contacto con la piel. Por consiguiente, al manipular combustible proceda con cuidado y procure que haya buena ventilación. Los gases de escape del motor están calientes y pueden contener chispas que pueden provocar incendio. Por esa razón, nunca arranque el producto en interiores o cerca de material inflamable.



ADVERTENCIA: No fume ni ponga objetos calientes cerca del combustible.

Instrucciones de seguridad para el mantenimiento



ADVERTENCIA: El control y/o mantenimiento de la máquina debe hacerse con el motor parado y el enchufe desenchufado.



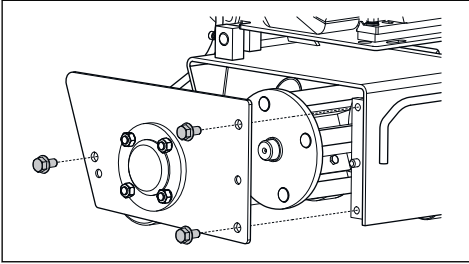
PRECAUCIÓN: La inspección del tambor debe llevarse a cabo a través de la placa lateral. El producto no se debe inclinar hacia atrás apoyado en el manillar, ya que esto puede provocar fugas de aceite perjudiciales.

Le recomendamos que respete y aplique los intervalos de mantenimiento y las revisiones periódicas y que solo utilice piezas de repuesto originales en las reparaciones y tareas de mantenimiento.

Montaje

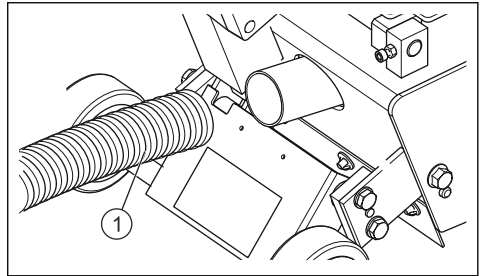
Para intercambiar los tambores

1. Afloje los tres tornillos.
2. Extraiga la placa lateral.
3. Coloque el tambor y deslícelo sobre su eje.



están intactos y limpios. Tenga cuidado con el polvo durante la utilización de la máquina.

1. Conecte el extractor de polvo (1) al producto.



Para conectar el extractor de polvo

Utilice siempre una aspiradora para reducir al mínimo el polvo. Asegúrese de que los filtros de la aspiradora

Funcionamiento

Introducción



ADVERTENCIA: Lea detenidamente el manual de usuario y asegúrese de entender su contenido antes de utilizar el producto.



ADVERTENCIA: Utilice el equipo de protección personal. Consulte *Equipo de protección personal en la página 19* para obtener instrucciones.



ADVERTENCIA: Asegúrese de que no haya personas desautorizadas en la zona de trabajo, de lo contrario se corre el riesgo de ocasionar graves daños personales.



ADVERTENCIA: Compruebe que el producto esté correctamente montado y que no esté dañado.

Para poner en marcha el producto



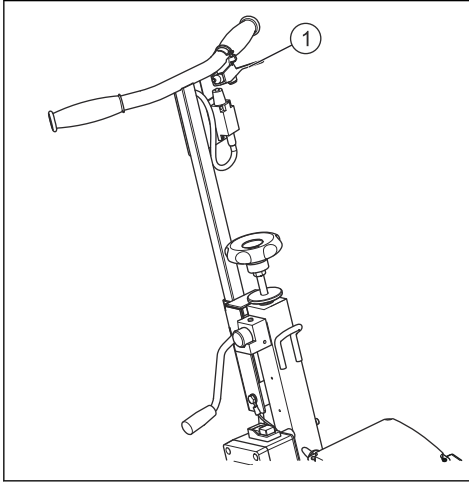
PRECAUCIÓN: La posición del operario es detrás del producto manteniendo ambas manos en los mangos. Mantenga una distancia de seguridad con respecto a la herramienta giratoria. Asegúrese de que no haya tuberías o cables eléctricos en la zona de trabajo o en el material que vaya a

cortar. No deje el producto sin supervisión con el motor en marcha.

Nota: Cuando el producto está en marcha, se moverá descontrolado hacia delante debido a la activación del tambor.

1. Para poner en marcha el producto, sostenga el mango de control de presencia del operario en el eje de la dirección.

- El motor se detiene si se suelta el mango de control de presencia del operario (1).



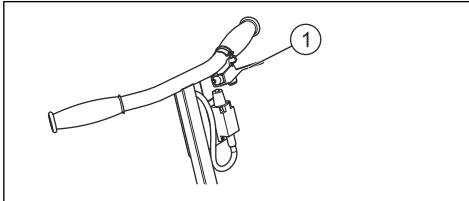
- Compruebe con regularidad que funciona correctamente. No lo bloquee en su posición.

Para poner en marcha el producto de combustible

- Para poner en marcha el motor, consulte el manual del fabricante del motor.
- Deje que el motor se caliente.

Para detener el producto

- Para detener el producto, suelte el mango de control de presencia del operario (1).



Para elegir un cabezal de corte

Se pueden aplicar diferentes cabezales de corte a diferentes situaciones. Principalmente, hay tres cabezales de corte que puede escoger para su uso: el cabezal de corte en estrella, el cabezal de corte en haz y el cabezal de corte de carburo.

- Utilice el cabezal de corte en estrella para limpiar o quitar pintura de epoxi, aceites y esmaltes, y marcas viales termoplásticas.

- El cabezal de corte en haz puede utilizarse para la preparación ligera de asfalto y hormigón, para limpiar ranurados antideslizamiento, como los de las rampas, para decapar acero y para la limpieza de carreteras antes de la señalización vial.
- Utilice el cabezal de corte de carburo para texturizar asfalto y hormigón.

Para fresar el hormigón

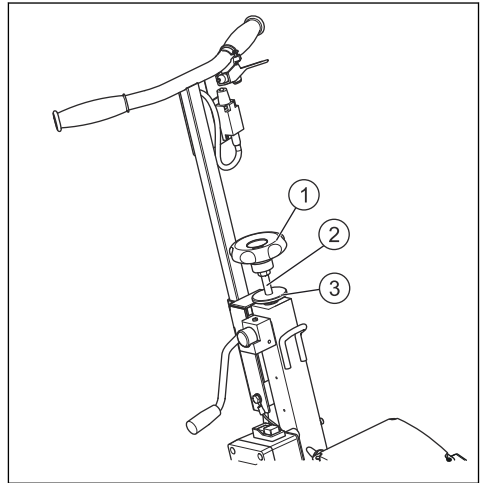
Nota: La profundidad de corte máxima es de 3 mm (1/8"); haga varias pasadas para cortes más profundos.

- Pase el producto varias veces en función de la naturaleza del hormigón.
- Compruebe el hormigón y detenga el fresado si se ha obtenido el resultado deseado.

Para ajustar la profundidad de corte

La profundidad de corte puede ajustarse en función de las necesidades.

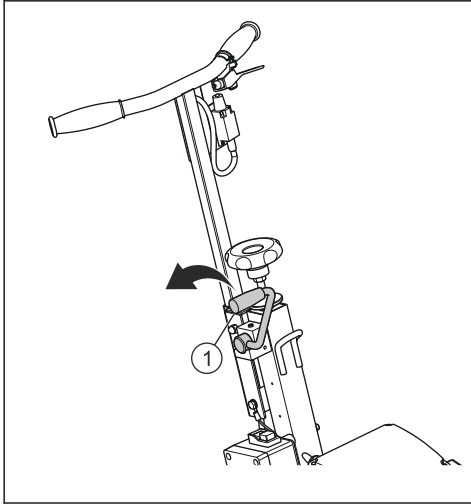
- Ajuste la rueda volante (1) que actuará en el tornillo (2).



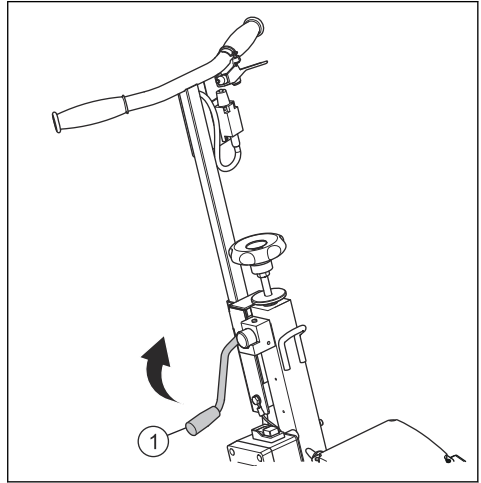
- Gire la tuerca (3) para bloquear el tornillo y fijar la profundidad de corte.

Para desactivar y activar el tambor

1. Tire de la palanca (1) hacia atrás para desactivar el tambor.



2. Empuje la palanca (1) hacia delante para activar el tambor.



Mantenimiento

Introducción



ADVERTENCIA: Desconecte el producto de la red eléctrica antes de proceder con el mantenimiento.



PRECAUCIÓN: Conserve las herramientas con cuidado.

Para realizar una comprobación antes del funcionamiento

1. Compruebe el aceite del motor.
2. Lleve a cabo una inspección general comprobando que no haya tuercas o tornillos aflojados.

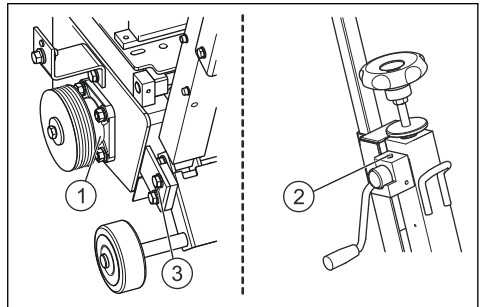
Para realizar una comprobación después del funcionamiento



PRECAUCIÓN: Deseche el aceite usado según lo establecido por la normativa vigente.

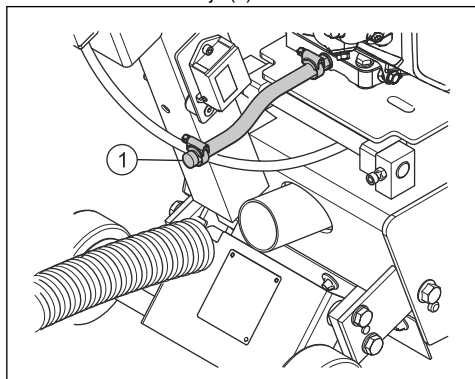
1. Limpie el producto.

2. Lubrique las boquillas de engrase en la distancia entre ejes (1), en el cojinete de ajuste de la profundidad (2) y en los cojinetes de rodillos (3).

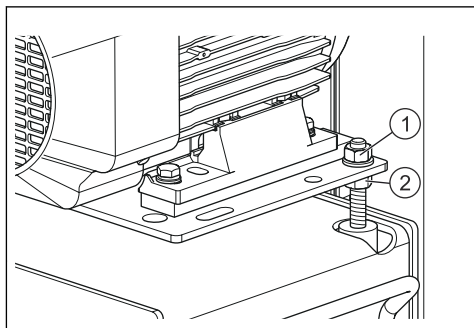


3. Consulte el manual del motor para obtener información sobre el cambio de aceite del motor.

4. Para drenar el aceite del motor, coloque un embudo en la salida de drenaje (1).



1. Compruebe la tensión de la correa todas las semanas.
2. Apriete la contratuerca (1) y la tuerca (2) para ajustar la tensión de la correa. No apriete demasiado fuerte.



Para comprobar la tensión de la correa



ADVERTENCIA: Nunca coloque las correas con una tensión superior a la original.

Resolución de problemas

Resolución de problemas del equipo

con el motor parado y el enchufe desenchufado.



ADVERTENCIA: El control y/o mantenimiento de la máquina debe hacerse

En caso de mal funcionamiento, consulte la solución en las siguientes tablas.

PROBLEMAS	CAUSAS	SOLUCIONES
El motor o el tambor no giran	No enchufado correctamente o cable dañado	Asegúrese de que la toma de corriente está correctamente enchufada (conector, cable de extensión, etc.). Compruebe el cable de alimentación.
	No hay tensión de alimentación	Compruebe el sistema o póngase en contacto con un electricista (disyuntor, conector, etc.).
	Interruptor defectuoso, cable del motor dañado	Póngase en contacto con un electricista o con el departamento de atención al cliente para comprobar la máquina.
	Motor defectuoso (sin alimentación, olor desagradable)	Póngase en contacto con el departamento de atención al cliente para sustituir el motor.
	No arranca (motor de gasolina)	Consulte las instrucciones de mantenimiento del motor o póngase en contacto con el servicio postventa si el motor se ha detenido o busque la bujía defectuosa o floja.
	Correa rota	Póngase en contacto con el departamento de piezas para su sustitución.
	Tambor atascado	Asegúrese de que el producto está desconectado de la alimentación. Compruebe que el tambor gira, retire aquello que evite la rotación.

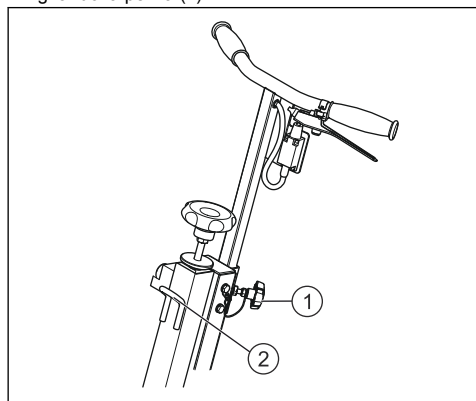
PROBLEMAS	CAUSAS	SOLUCIONES
Arranque difícil	Roce del tambor contra el suelo	Libere el tambor para facilitar el arranque.
	Condensador de arranque del motor	Sustituya el condensador.
Funcionamiento ineficaz con sacudidas y vibración importante	Posición del tambor demasiado baja	Compruebe el dispositivo (de fresado) del tambor. Cambie el tambor o las cuchillas, las escobillas, etc.
	Herramientas desgastadas	
	El ranurado o fresado genera vibraciones anómalas	Compruebe la rotación de las cuchillas en los cuatro ejes. Cambie el tambor o las cuchillas.
	Desgaste anómalo de la cuchilla	

Transporte, almacenamiento y eliminación

Transporte

Tenga en cuenta los siguientes puntos al transportar el producto.

- La altura del eje de dirección se puede ajustar girando la perilla (1).



- Tras la instalación en el lugar de trabajo, el producto se puede mover sin arrancar el motor simplemente empujándolo en sus tres ruedas.
- Una argolla de suspensión (2) permite la elevación del producto.

Almacenamiento



ADVERTENCIA: Guarde el producto en posición vertical y en un lugar seco que no sea accesible para los niños.

Eliminación

En caso de deterioro y desguace del producto, los siguientes elementos se deben desechar de acuerdo con la legislación vigente.

- Motor: Aluminio (AL), acero (AC), cobre (CU), poliamida (PA)
- Producto: Hoja de acero (AC), hierro fundido (FT), aluminio (AL)

Datos técnicos

Datos técnicos del equipo

CG 200	Gasolina 5 CV	Gasolina 9 CV
Profundidad de corte máx. en mm	13	13
Anchura de trabajo útil en mm	200	200
Tensión nominal (V)	N/P	N/P
Peso (sin combustible, aceite ni herramientas) en kg	54	64

CG 200	Gasolina 5 CV	Gasolina 9 CV
Dimensiones (la. x an. x al.) en mm	780 x 470 x 730	840 x 530 x 730
Velocidad de rotación del tambor (máxima sin carga) en rpm	1350	1350
Aceite de caja de cambios, motor de propulsión, calidad/ estándar	Consulte el manual del fabricante del motor	Consulte el manual del fabricante del motor
Emisiones de ruido⁴		
Nivel de potencia acústica medida, dB(A)	113	114
Nivel de potencia acústica garantizado L _{WA} dB(A)	114	116
Niveles acústicos⁵		
Nivel de presión sonora en el oído del operario, dB(A)	100,1	101,3
Niveles de vibración en a_{nv}⁶		
Mango derecho en m/s ²	12,8	10,1
Mango izquierdo en m/s ²	11,0	9,8

Servicio técnico

Mantenimiento del producto



PRECAUCIÓN: Los técnicos de reparación autorizados son los únicos que pueden llevar a cabo cualquier tipo de reparación.

Para un rápido suministro de piezas de repuesto y para evitar la pérdida de tiempo, es fundamental citar los datos de la placa del fabricante fijada al producto y la referencia de la pieza que se va a sustituir en todos los pedidos.

⁴ Nota 1: Emisiones de ruido en el entorno medidas como potencia acústica (L_{WA}) conforme a EN 60335-2-72.

⁵ Nota 2: Nivel de presión sonora conforme a EN 60335-2-72. Incertidumbre de medición esperada 1,5 dB(A).

⁶ Nota 3: Nivel de vibración conforme a EN 60335-2-72. Los datos referidos del nivel de vibración poseen una dispersión estadística habitual (desviación típica) de 1,5 m/s².

Sommaire

Introduction.....	26	Dépannage.....	35
Sécurité.....	29	Transport, entreposage et mise au rebut.....	36
Montage.....	32	Caractéristiques techniques.....	36
Utilisation.....	32	Entretien.....	37
Maintenance.....	34		

Introduction

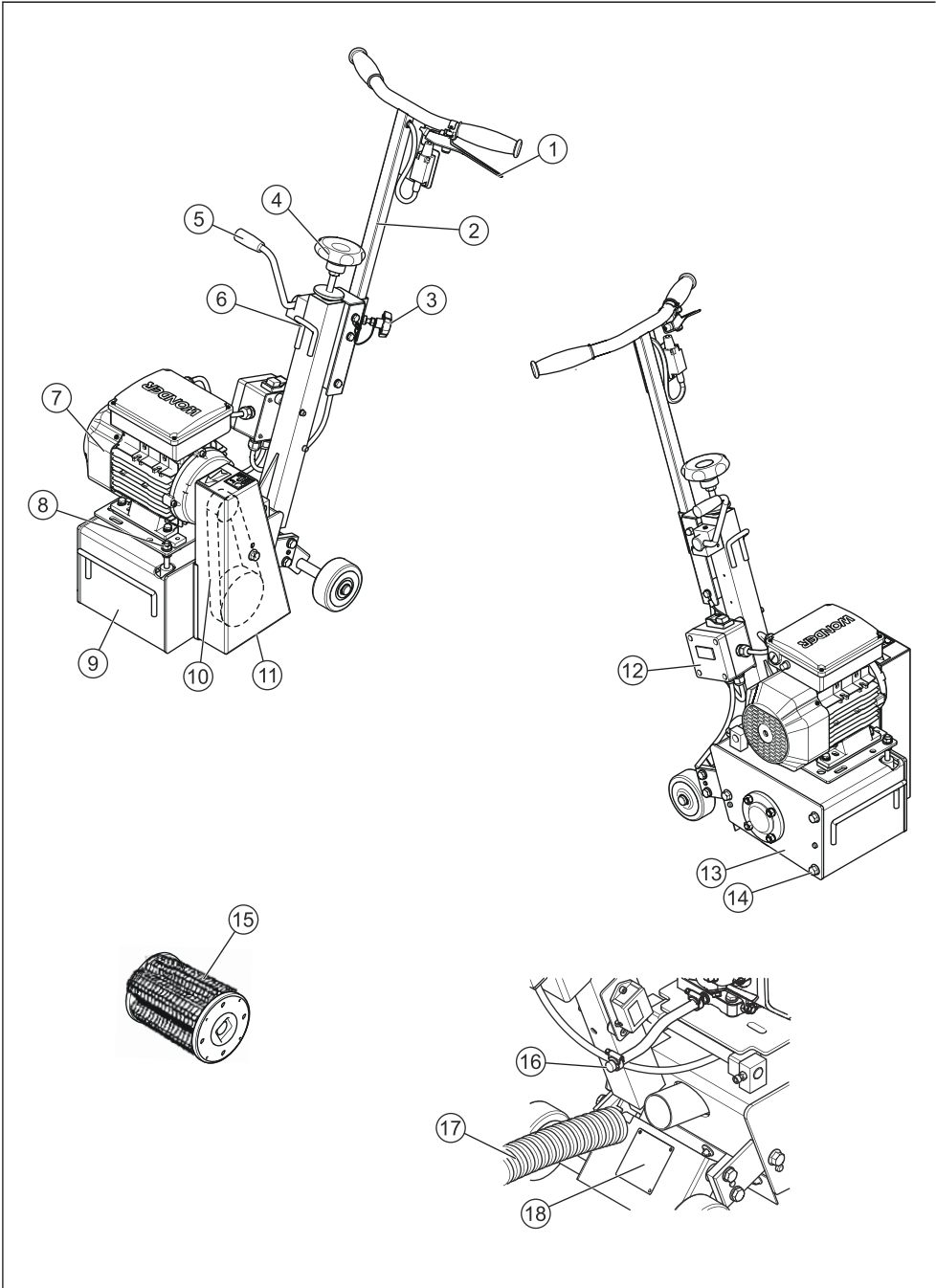
Description du produit

Peut être utilisé sur le béton, l'asphalte, la peinture et les autres revêtements, la colle et l'acier. Ne doit pas être utilisé pour les applications non décrites dans le présent manuel.

Utilisation prévue

Pour la scarification, le fraisage des rainures, la texturation et le nettoyage.

Aperçu du produit



1. Levier de sécurité (contrôle de présence de l'opérateur)
2. Arbre de direction
3. Manette de réglage de l'arbre
4. Bouton de réglage de la profondeur (mm)
5. Levier de relevage/d'abaissement rapide
6. Anneau de levage
7. Moteur
8. Tendeur de courroie
9. châssis
10. Transmission
11. Carter de la courroie
12. Interrupteur de marche/arrêt
13. Plaque de protection du tambour
14. Attaches de protection du tambour
15. Tambour de 200 mm de largeur
16. Rallonge de vidange
17. Tuyau extracteur de poussière
18. Plaque d'identification

d'inhaler les gaz d'échappement. Veiller à disposer d'une bonne ventilation.



Attention : risque de coupure.



Petite vitesse.



Grande vitesse.



Starter.



Marquage environnemental. Les symboles figurant sur le produit ou sur son emballage indiquent que ce produit ne peut pas être traité comme un déchet domestique ordinaire. Il doit être déposé dans un site de recyclage prévu pour la récupération d'équipements électriques et électroniques. En prenant soin correctement de ce produit, vous contribuez à compenser l'éventuel effet négatif sur l'environnement et les personnes, qui autrement pourrait être engendré par la mauvaise gestion de la mise au rebut du produit. Pour obtenir de plus amples informations sur le recyclage de ce produit, contactez votre municipalité, votre service des ordures ménagères ou le magasin où vous avez acheté ce produit.

Les autres symboles/autocollants présents sur le produit concernent des exigences de certification spécifiques à certains marchés.

Symboles concernant le produit



AVERTISSEMENT ! Utilisée de manière imprudente ou inadéquate, le produit peut devenir un outil dangereux, pouvant causer des blessures graves, voire mortelles à l'utilisateur ou à d'autres personnes présentes.



Veillez lire attentivement les instructions d'utilisation avant d'utiliser le produit pour la première fois.



Ce symbole indique que le produit est conforme à la directive européenne applicable.



Portez un équipement de protection personnelle. Consultez la section *Équipement de protection individuelle à la page 31* pour plus d'instructions.



Émissions sonores dans l'environnement selon la directive de la Communauté européenne. Les émissions du produit sont indiquées au chapitre *Caractéristiques techniques* et sur les autocollants.



Surface chaude.



AVERTISSEMENT ! Lors de la découpe, la poussière générée peut occasionner des blessures si elle est aspirée. Utiliser une protection respiratoire approuvée. Évitez

WARNING
<p>The engine exhaust from this product contains chemicals known to the State of California to cause cancer, birth defects or other reproductive harm.</p>

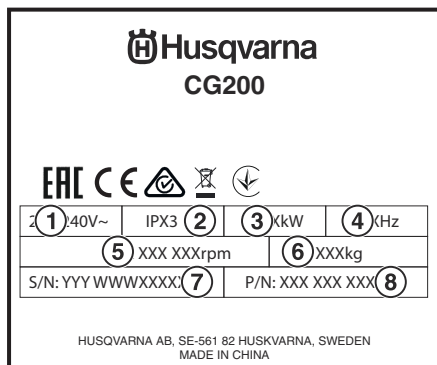
ATTENTION!
<p>Les émissions du moteur de cet outil contiennent des produits chimiques qui, d'après l'État de Californie, peuvent causer le cancer, des malformations congénitales ou autre danger pour la reproduction.</p>



ATTENTION!

Los gases de escape del motor de este producto contienen sustancias químicas conocidas en el Estado de California como causantes de cáncer, defectos congénitos y otros daños reproductivos.

Plaque d'identification



1. Tension d'alimentation
2. Étanche
3. Puissance nominale du moteur
4. Fréquence
5. Tours par minute
6. Poids brut du véhicule
7. Date de fabrication, année, semaine, numéro de série
8. Référence de produit

Responsabilité

Avant de quitter notre usine, tous les produits sont soumis à un programme d'inspection exigeant au cours duquel tout est vérifié minutieusement. Le respect des instructions assure la longévité de votre produit, dans des conditions de fonctionnement normales.

Le fabricant décline toute responsabilité en cas de pertes ou dommages résultant d'une utilisation inadaptée ou de toute modification, altération ou mise sous tension ne répondant pas aux spécifications d'origine du fabricant.

Les conseils à l'utilisateur et les pièces de rechange mentionnés dans ce document sont donnés à titre indicatif et ne constituent pas un engagement. Aucune garantie ne fonctionne en cas d'erreur ou d'omission, ni pour un dommage subi pendant la livraison, ni pour un dommage causé par la conception ou l'utilisation du produit. Nous sommes très impliqués dans la qualité de nos produits et nous nous réservons le droit de procéder à toutes les modifications techniques susceptibles de les améliorer, sans préavis.

Sécurité

Définitions de sécurité

Avertissements, recommandations et remarques sont utilisés pour souligner spécialement les parties importantes de manuel d'utilisation.

les instructions du manuel ne sont pas respectées.



AVERTISSEMENT: Symbole utilisé en cas de risque de blessures graves ou mortelles pour l'opérateur ou à d'autres personnes si



REMARQUE: Utilisé en cas de risque de dommages pour le produit, d'autres les matériaux ou la zone adjacente si les instructions du manuel ne sont pas respectées.

Remarque: Utilisé pour donner plus d'informations qui est nécessaire dans une situation donnée.

Instructions générales de sécurité



AVERTISSEMENT: Lisez attentivement et assimilez le manuel d'utilisation avant d'utiliser le produit.

Le produit est conçu pour fournir un fonctionnement en toute sécurité et fiable dans des conditions de fonctionnement correspondant aux instructions, mais il peut présenter des dangers pour l'utilisateur et des risques de dommages. Par conséquent, des inspections régulières sur site sont nécessaires pour s'assurer des points suivants :

- Parfait état technique (utilisation à des fins conformes à la conception de la machine et prise en compte des tous les risques, correction de toute défaillance préjudiciable à la sécurité).
- Les avertissements et les instructions figurant sur le produit sont suivis (protection personnelle appropriée, utilisation correcte, instructions générales de sécurité, etc.).
- **Le produit n'est pas destiné à être utilisé par des personnes (ou des enfants) aux capacités physiques, sensorielles ou mentales limitées ou manquant d'expérience et de connaissances.**
- **Il convient de surveiller les enfants et de les empêcher de jouer avec l'appareil.**
- Le produit est conçu pour un usage commercial.
- Une exposition excessive aux vibrations peut entraîner des troubles circulatoires ou nerveux chez les personnes sujettes à des troubles cardio-vasculaires. Consultez un médecin en cas de symptômes liés à une exposition excessive aux vibrations. De tels symptômes peuvent être: engourdissement, perte de sensibilité, chatouillements, picotements, douleur, faiblesse musculaire, décoloration ou modification épidermique. Ces symptômes affectent généralement les doigts, les mains ou les poignets. Ces symptômes peuvent être accentués par le froid.
- La découpe (et plus particulièrement la découpe à sec) produit de la poussière qui provient du matériau coupé, qui contient souvent de la silice. La silice est un composant de base du sable, du quartz, de l'argile de brique, du granit et de nombreux autres minéraux et roches. L'exposition à une quantité de poussière excessive peut entraîner :
 - Des maladies respiratoires (affectant vos capacités à respirer) causées par l'exposition à la silice dont la bronchite chronique, la silicose et la fibrose pulmonaire. Ces maladies peuvent être fatales.
 - Irritations et éruptions cutanées.
 - Le cancer selon le NTP* et le CIRC* * / Programme national de toxicologie des États-

Unis, Centre international de recherche sur le cancer

- Suivez les étapes de précaution suivantes :
 - Évitez toute inhalation et tout contact cutané avec la poussière, le brouillard et la fumée.
 - Portez et assurez-vous que toutes les personnes aux alentours portent une protection respiratoire appropriée, tel un masque anti-poussière conçu pour filtrer les particules microscopiques. (Consultez la norme 29 CFR partie 1910.1200 de l'OSHA)
 - Couper si possible en utilisant le jet d'eau afin de réduire la poussière dispersée.
-



AVERTISSEMENT: Ne laissez pas le cordon d'alimentation entrer en contact avec les brosses rotatives.

Remarque: Le manuel de l'opérateur doit toujours être disponible sur le lieu de travail. Il doit être lu et utilisé par toute personne installant ou utilisant le produit. Les réglementations techniques en vigueur dans le pays où le produit est utilisé doivent également être respectées pour une sécurité optimale.

Consignes de sécurité pour l'assemblage

Vous devez utiliser les tambours originaux du fabricant. N'utilisez pas d'autres tambours dont la forme, la taille et le montage ne correspondent pas au produit.

Vérifiez que les pièces sont correctement fixées (sans vibration anormale) et assemblées correctement.

Aucune modification, aucune transformation ni aucun ajout préjudiciable à la sécurité ne doit être effectué sans l'autorisation préalable du fabricant.

Consignes de sécurité pour le fonctionnement



AVERTISSEMENT: Le présent chapitre décrit les consignes de sécurité de base relatives à l'utilisation du produit. Cependant, aucune information ne peut remplacer l'expérience et le savoir-faire d'un professionnel. En cas de doute ou de difficulté quant à l'utilisation de la machine, consulter un spécialiste. Veuillez contacter votre revendeur, votre atelier de réparation ou un utilisateur expérimenté. L'utilisateur doit éviter d'utiliser la machine s'il ne se sent pas suffisamment qualifié pour le travail à effectuer !



AVERTISSEMENT: La tige d'outil commence à tourner dès le démarrage du moteur.



AVERTISSEMENT: Soyez attentif au silencieux chaud. Utilisez des gants/un équipement de sécurité.

Ce produit ne doit être utilisé que par des professionnels compétents (en termes de qualifications, d'âge, de formation) qui ont lu et parfaitement compris le manuel avant de commencer le travail. Tout problème électrique, mécanique ou autre doit être corrigé par un ingénieur de maintenance qualifié (électricien, responsable de la maintenance, concessionnaire agréé, etc.).

- Vérifiez l'état du produit lorsque vous le recevez.
- Assurez-vous que le produit soit toujours propre.
- Restez toujours vigilant lorsque vous travaillez.

Équipement de protection individuelle



AVERTISSEMENT: Utilisez impérativement un équipement de protection individuel homologué lors de tout travail avec le produit. L'équipement de protection personnelle n'élimine pas les risques mais réduit la gravité des blessures en cas d'accident. Demandez conseil à votre revendeur afin de choisir un équipement adéquat.



AVERTISSEMENT: L'utilisation de produits tels que les fraises, les meuleuses ou les foreuses pour poncer ou découper un matériau peut produire de la poussière et des vapeurs susceptibles de contenir des substances chimiques dangereuses. Vérifiez la nature du matériau que vous souhaitez travailler et utilisez un masque respiratoire approprié. Une exposition prolongée au bruit risque de causer des lésions auditives permanentes. Utilisez toujours des protège-oreilles homologués. Restez attentif aux signaux d'alerte ou aux appels lorsque vous portez des protège-oreilles. Enlevez toujours vos protège-oreilles dès que le moteur s'arrête.

Utilisez toujours :

- Casque de protection homologué.
- Des protège-oreilles.
- Protection pour les yeux homologuée. L'utilisation d'un écran facial doit toujours s'accompagner du port de lunettes de protection homologuées.
- Masque respiratoire.
- Gants solides permettant une prise sûre.
- Vêtements confortables, robustes et serrés qui permettent une liberté totale de mouvement.
- Bottes avec coquille en acier et semelle antidérapante.

- Une trousse de premiers secours doit toujours être disponible.

Sécurité carburant

Les niveaux de carburant et d'huile doivent être vérifiés régulièrement. Consultez le manuel du fabricant du moteur si nécessaire.



AVERTISSEMENT: Prenez en compte les conditions de travail du point de vue de la santé et de la sécurité.



AVERTISSEMENT: Faire tourner un moteur dans un local fermé ou mal aéré peut causer la mort par asphyxie ou empoisonnement au monoxyde de carbone. Utilisez des ventilateurs pour assurer une bonne circulation de l'air lorsque vous travaillez dans des tranchées ou des fossés d'une profondeur supérieure à un mètre (3 ft).



AVERTISSEMENT: Le carburant et les vapeurs de carburant sont très inflammables. Ils peuvent causer des blessures graves en cas d'inhalation ou de contact avec la peau. Il convient donc d'observer la plus grande prudence lors de la manipulation du carburant et de veiller à disposer d'une bonne aération. Les gaz d'échappement du moteur sont très chauds et peuvent contenir des étincelles pouvant provoquer un incendie. Par conséquent, ne démarrez jamais le produit dans un local clos ou à proximité de matériaux inflammables !



AVERTISSEMENT: Ne fumez jamais ni ne placez d'objet chaud à proximité du carburant.

Consignes de sécurité pour l'entretien



AVERTISSEMENT: Les contrôles et/ou les entretiens doivent être effectués avec le moteur à l'arrêt et la prise électrique débranchée.



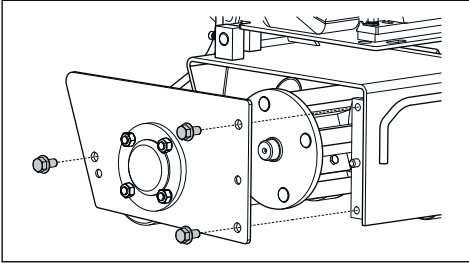
REMARQUE: L'inspection du tambour s'effectue par la plaque latérale. Un produit incliné vers l'arrière reposant sur le guidon entraîne une fuite d'huile susceptible de l'endommager.

Nous vous recommandons de respecter les intervalles d'entretien, d'effectuer les contrôles périodiques et de n'utiliser que les pièces de rechange d'origine pour les réparations et l'entretien.

Montage

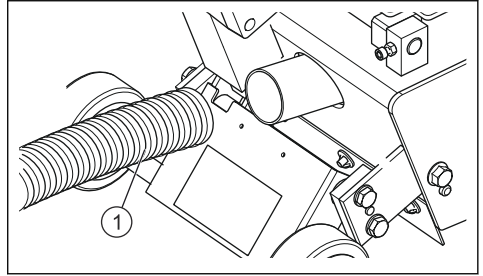
Pour intervertir les tambours

1. Dévissez les trois vis.
2. Déposez la plaque latérale.
3. Montez le tambour et faites-le glisser sur son arbre.



état et propres. Faire attention à la poussière au cours de l'opération.

1. Branchez l'extracteur de poussière (1) sur le produit.



Pour brancher l'extracteur de poussière

Utilisez toujours un aspirateur pour réduire la poussière. Veiller à ce que les filtres de l'aspirateur soient en bon

Utilisation

Introduction



AVERTISSEMENT: Lisez attentivement et assimilez le manuel d'utilisation avant d'utiliser le produit.



AVERTISSEMENT: Portez un équipement de protection personnelle. Consultez la section *Équipement de protection individuelle* à la page 31 pour plus d'instructions.



AVERTISSEMENT: Veiller à ce qu'aucune personne non autorisée ne se trouve dans la zone de travail pour éviter le risque de blessures graves.



AVERTISSEMENT: Vérifiez que le produit est monté correctement et ne présente aucun dommage.

Pour démarrer



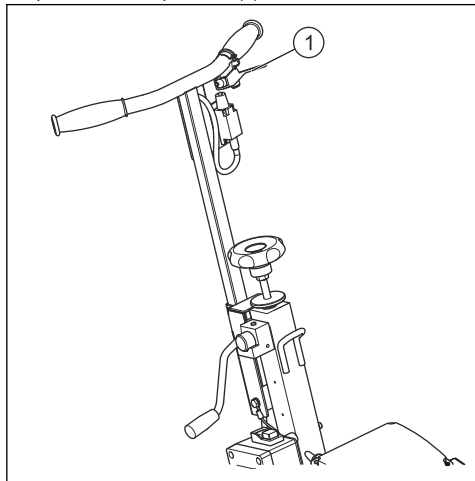
REMARQUE: L'opérateur est positionné derrière le produit, les deux mains sur les poignées. Tenez-vous à une distance sûre de l'outil rotatif. Assurez-vous qu'aucun tuyau ou câble électrique ne passe par la zone de travail ou dans le matériau à

découper. Ne laissez pas le produit sans surveillance lorsque le moteur tourne.

Remarque: Lorsque le produit est allumé, il se déplace vers l'avant de manière incontrôlée en raison de l'activation du tambour.

1. Pour démarrer le produit, saisissez la poignée de commande de présence de l'opérateur sur l'arbre de direction.

2. Le moteur s'arrête si la poignée de commande de présence de l'opérateur (1) est relâchée.



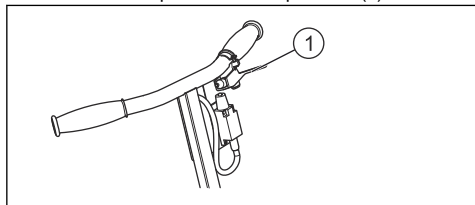
3. Vérifiez régulièrement que cette dernière fonctionne correctement. Ne la verrouillez pas.

Pour démarrer le produit combustible

1. Pour démarrer le moteur, consultez le manuel du fabricant du moteur.
2. Faites chauffer le moteur.

Pour arrêter le produit

1. Pour arrêter le produit, relâchez la poignée de commande de présence de l'opérateur (1).



Pour choisir une tête de coupe

Différentes têtes de coupe peuvent être utilisées en fonction des situations. Il existe trois têtes coupe principales que vous pouvez utiliser : la tête de coupe en étoile, la tête de coupe à rayon et la tête de coupe en carbure.

- Utilisez la tête de coupe en étoile pour nettoyer ou enlever la peinture époxy, l'huile, la glaçure, la colle et le marquage au sol thermoplastique.
- La tête de coupe à rayon peut être utilisée pour préparer de l'asphalte et du béton, pour nettoyer des rainures antidérapantes comme celles des rampes, pour décaper l'acier et pour nettoyer les routes avant le marquage au sol.

- Utilisez la tête de coupe en carbure pour texturer l'asphalte et le béton.

Pour broyer le béton

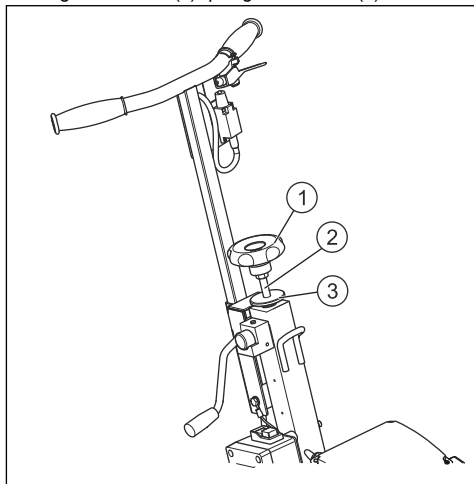
Remarque: La profondeur de coupe maximale est de 3 mm (1/8") ; pour les coupes plus profondes, procédez en plusieurs étapes.

1. Faites passer le produit à plusieurs reprises en fonction de la nature du béton.
2. Contrôlez le béton et cessez de le broyer lorsque vous obtenez le résultat souhaité.

Pour régler la profondeur de coupe

La profondeur de coupe peut être réglée en fonction des besoins.

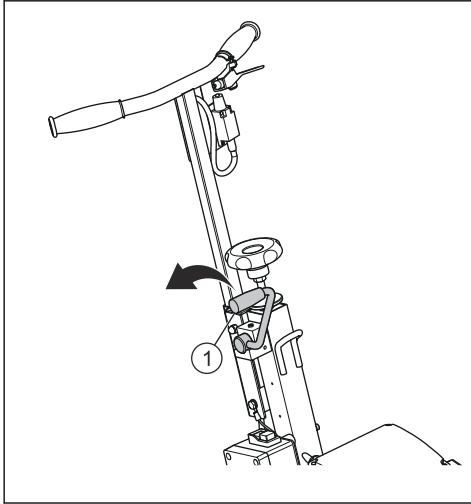
1. Réglez le volant (1) qui agira sur la vis (2).



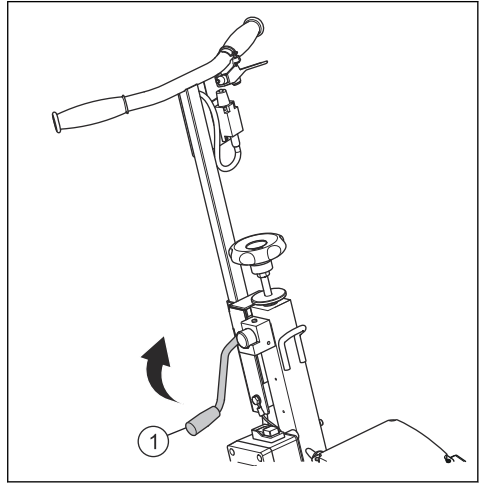
2. Faites tourner l'écrou (3) pour verrouiller la vis et fixez la profondeur de coupe.

Pour activer ou désactiver le tambour

1. Tirez le levier (1) vers l'arrière pour désactiver le tambour.



2. Poussez le levier (1) vers l'avant pour activer le tambour.



Maintenance

Introduction



AVERTISSEMENT: Avant tout travail d'entretien, débranchez le produit de l'alimentation électrique.



REMARQUE: Maintenez les outils avec précaution.

Pour contrôler le produit avant utilisation

1. Contrôlez l'huile moteur.
2. Effectuez un contrôle général, en vérifiant qu'aucun écrou ou boulon n'est desserré.

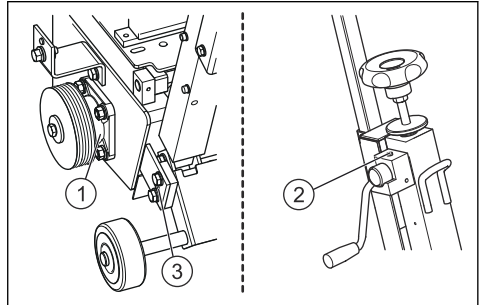
Pour contrôler le produit après utilisation.



REMARQUE: Mettez l'huile usagée au rebut conformément aux réglementations en vigueur.

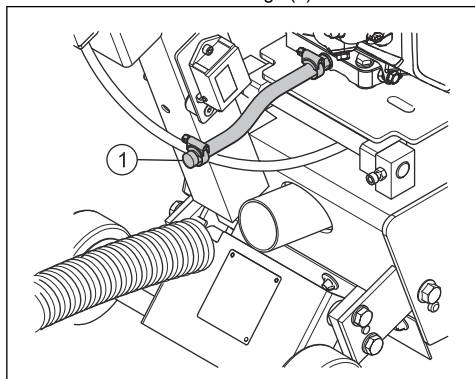
1. Nettoyez le produit.

2. Lubrifiez les raccords de graissage sur l'empattement (1), sur le palier de réglage de profondeur (2) et sur les paliers des rouleaux (3).

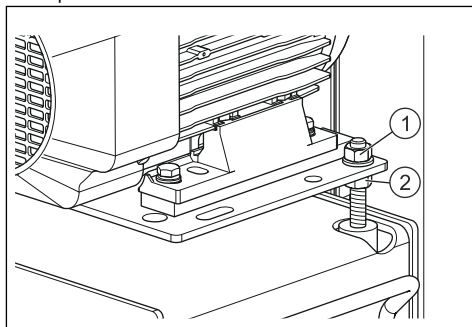


3. Consultez le manuel d'utilisation du moteur pour remplacer l'huile moteur.

4. Pour vidanger l'huile moteur, placez un entonnoir au niveau de la sortie de vidange (1).



1. Contrôlez la tension de la courroie chaque semaine.
2. Serrez l'écrou de verrouillage (1) et l'écrou (2) afin de régler la tension de la courroie. Ne serrez pas trop fort.



Pour contrôler la tension de la courroie



AVERTISSEMENT: Ne réglez jamais les courroies à une tension supérieure à la tension d'origine.

Dépannage

Dépannage de l'équipement

moteur à l'arrêt et la prise électrique débranchée.



AVERTISSEMENT: Les contrôles et/ou les entretiens doivent être effectués avec le

En cas de fonctionnement défectueux, reportez-vous aux tableaux ci-dessous pour trouver une solution.

PROBLÈMES	CAUSES	SOLUTIONS
Le moteur ou le tambour ne tourne pas	Pas branchée correctement ou câble endommagé	Assurez-vous que l'alimentation est correctement branchée (prise, rallonge, etc.). Vérifiez le câble d'alimentation.
	Aucune tension secteur	Testez ou faites tester par un électricien (coupe-circuit, prise, etc.).
	Interrupteur défectueux, câble de moteur endommagé	Faites tester par un électricien ou contactez le service après-vente.
	Moteur défectueux (pas de puissance, odeur désagréable)	Contactez le service après-vente pour faire remplacer le moteur.
	Le moteur à essence ne démarre pas	Si le moteur s'est arrêté, reportez-vous aux instructions d'entretien du moteur, contactez le service après-vente ou détectez la bougie défectueuse ou desserrée.
	La courroie est cassée	Contactez le service des pièces détachées pour un remplacement.
	Le tambour est bloqué	Assurez-vous que le produit est débranché de l'alimentation. Vérifiez que le tambour tourne et retirez tout élément empêchant la rotation.

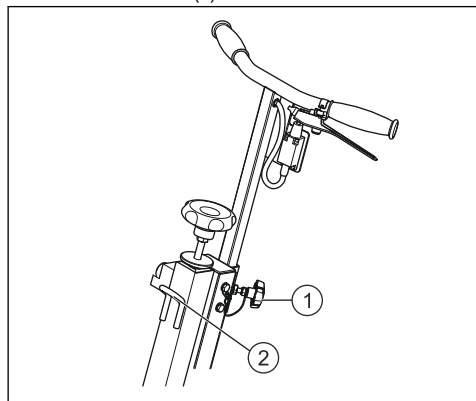
PROBLÈMES	CAUSES	SOLUTIONS
Difficile à démarrer	Le tambour frotte contre le sol	Libérez le tambour afin d'en faciliter le démarrage.
	Condensateur de démarrage du moteur	Remplacez le condensateur.
Le fonctionnement est inefficace, entrecoupé de mouvements brusques et de vibrations importantes	La position du tambour est trop basse	Vérifiez la fixation du tambour (broyeurs). Changez le tambour, les fraises ou la brosse, etc.
	Les outils sont usés	
	Une vibration anormale émane de la rainure ou du broyeur	Vérifiez que les fraises tournent correctement sur les quatre arbres. Remplacez le tambour ou les fraises.
	L'usure de la fraise est anormale	

Transport, entreposage et mise au rebut

Transport

Soyez attentif aux points suivants lorsque vous transportez le produit.

- La hauteur de l'arbre de direction peut être réglée en tournant le bouton (1).



- Lors de l'installation sur le chantier, le produit peut être déplacé sans démarrer le moteur ; il suffit de le pousser sur ses trois roues.
- Un anneau de levage (2) permet de lever le produit.

Remisage



AVERTISSEMENT: Stockez le produit en position verticale dans un endroit sec, hors de portée des enfants.

Mise au rebut

En cas de détérioration et de mise au rebut du produit, les éléments suivants doivent être mis au rebut conformément aux exigences de la législation en vigueur.

- Moteur : Aluminium (AL), acier (AC), cuivre (CU), polyamide (PA)
- Produit : Tôle en acier (AC), fonte (FT), aluminium (AL)

Caractéristiques techniques

Caractéristiques techniques de l'équipement

CG 200	Essence 5 ch	Essence 9 ch
Profondeur de coupe, max., mm	13	13
Largeur de travail utile, mm	200	200
Tension nominale (V)	ND	ND
Poids (en excluant le carburant, l'huile et les outils), en kg	54	64

CG 200	Essence 5 ch	Essence 9 ch
Dimensions (L x l x H), mm	780 x 470 x 730	840 x 530 x 730
Vitesse de rotation du tambour (vitesse maximale hors charge), tr/min	1350	1350
Moteur de commande de la boîte de vitesses à huile, qualité/standard	Consultez le manuel du fabricant du moteur	Consultez le manuel du fabricant du moteur
Émissions sonores⁷		
Niveau de puissance sonore mesuré dB(A)	113	114
Niveau de puissance sonore, garanti L _{WA} dB(A)	114	116
Niveaux sonores⁸		
Niveau de pression sonore à l'oreille de l'utilisateur, dB(A)	100,1	101,3
Niveaux de vibration, a_{nv}⁹		
Poignée droite, m/s ²	12,8	10,1
Poignée gauche, m/s ²	11,0	9,8

Entretien

Entretien du produit



REMARQUE: Les réparations ne peuvent être effectuées que par des réparateurs agréés.

Pour que les pièces de rechange soient livrées rapidement et pour éviter toute perte de temps, il est impératif de mentionner les données figurant sur la plaque du fabricant fixée sur le produit ainsi que le numéro d'article de la pièce à remplacer lors de chaque commande.

⁷ Remarque 1 : Émissions sonores dans l'environnement mesurées en tant que puissance acoustique (L_{WA}) conformément à la norme EN 60335-2-72.

⁸ Remarque 2 : niveau de pression sonore conformément à la norme EN 60335-2-72. Mesure d'incertitude attendue : 1,5 dB(A).

⁹ Remarque 3 : Niveau de vibrations conformément à la norme EN 60335-2-72. Les données reportées pour le niveau de vibrations montrent une dispersion statistique typique (déviations standard) de 1,5 m/s².



www.husqvarnacp.com

Original instructions
Instrucciones originales
Instructions d'origine

1158746-49



2017-09-14