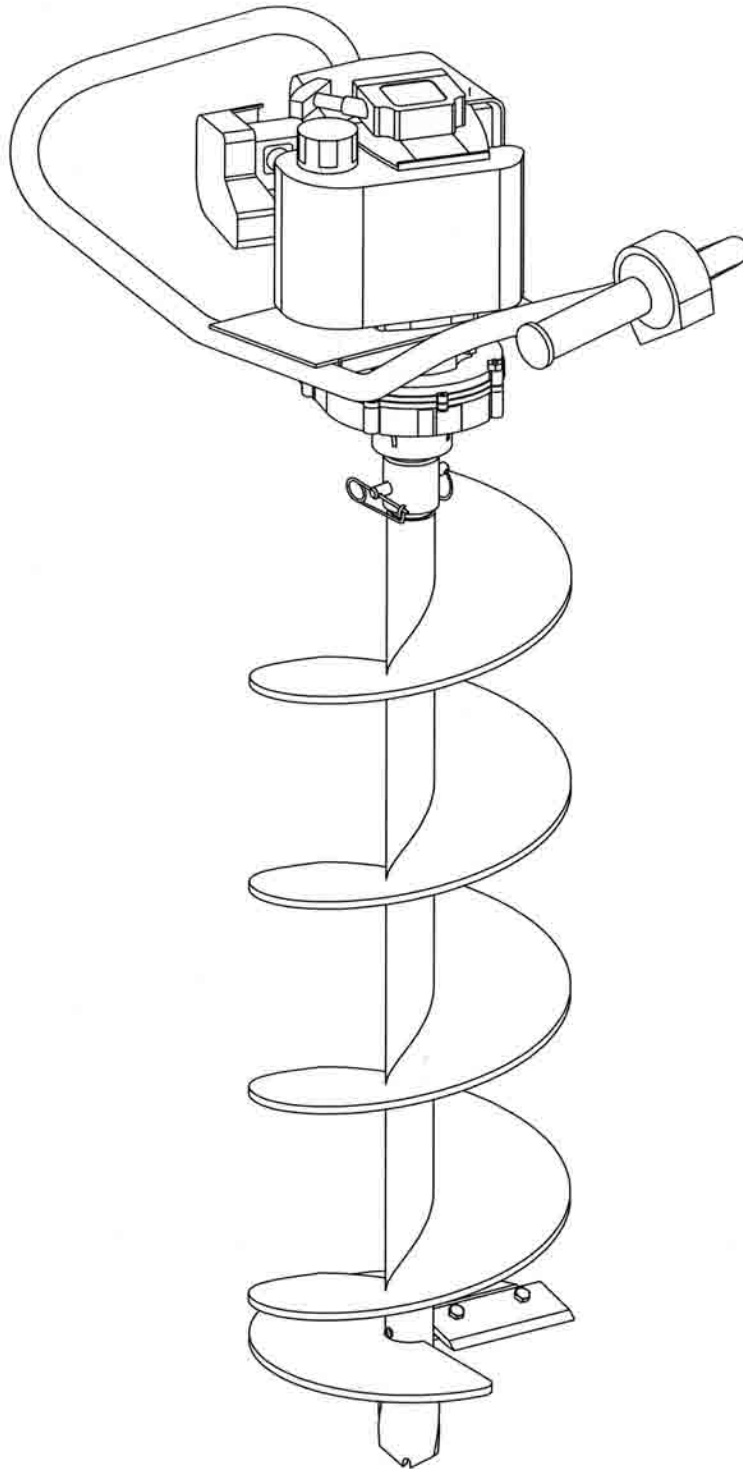


## Replacement Parts Diagrams 240H Hole Digger



Know what's below.  
Call before you dig.

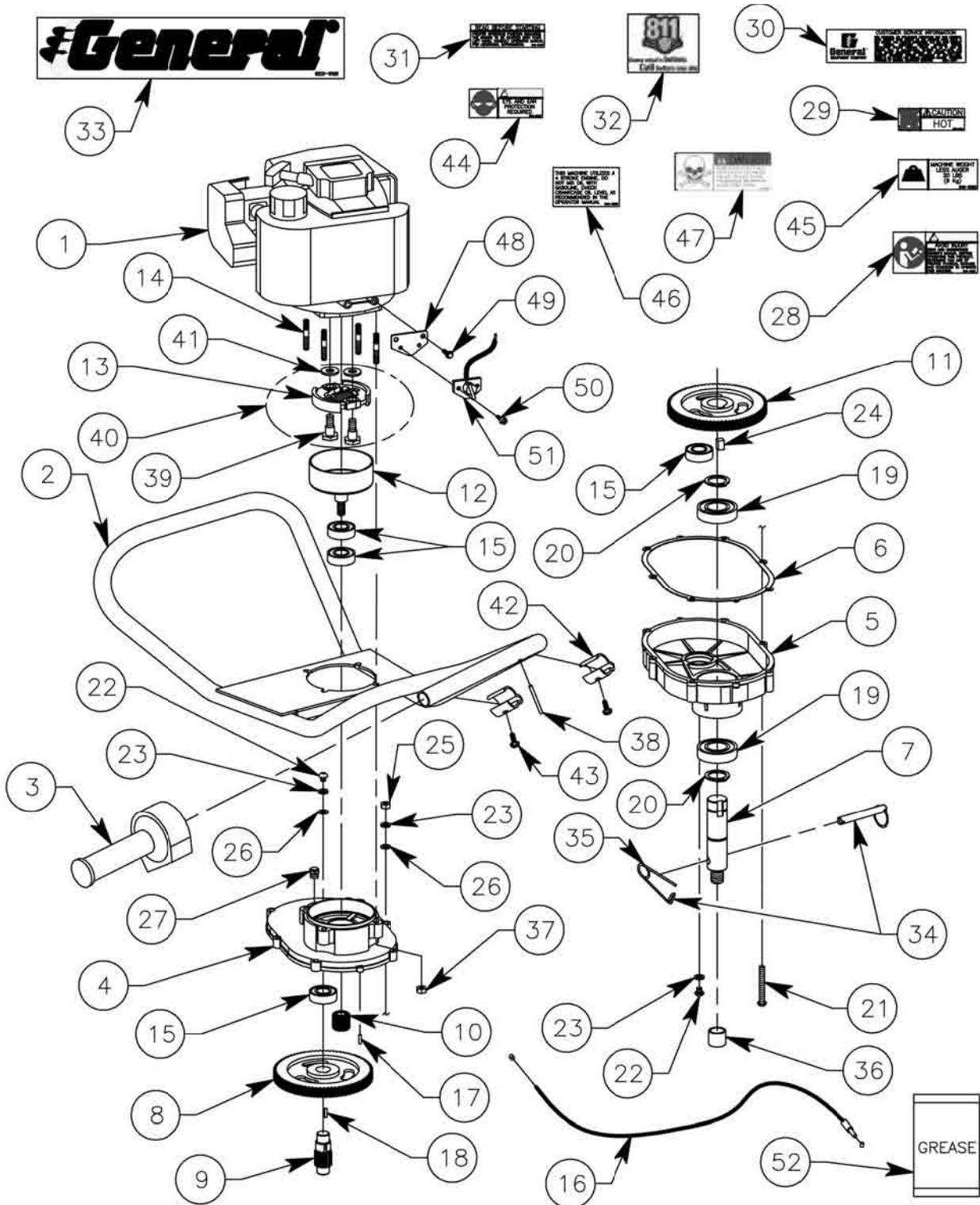
Left Blank



Know what's below.  
Call before you dig.



# Transmission Assembly 240H Hole Digger [Starting With Serial Number 136636]



## Transmission Assembly 240H Hole Digger [Starting With Serial Number 136636]

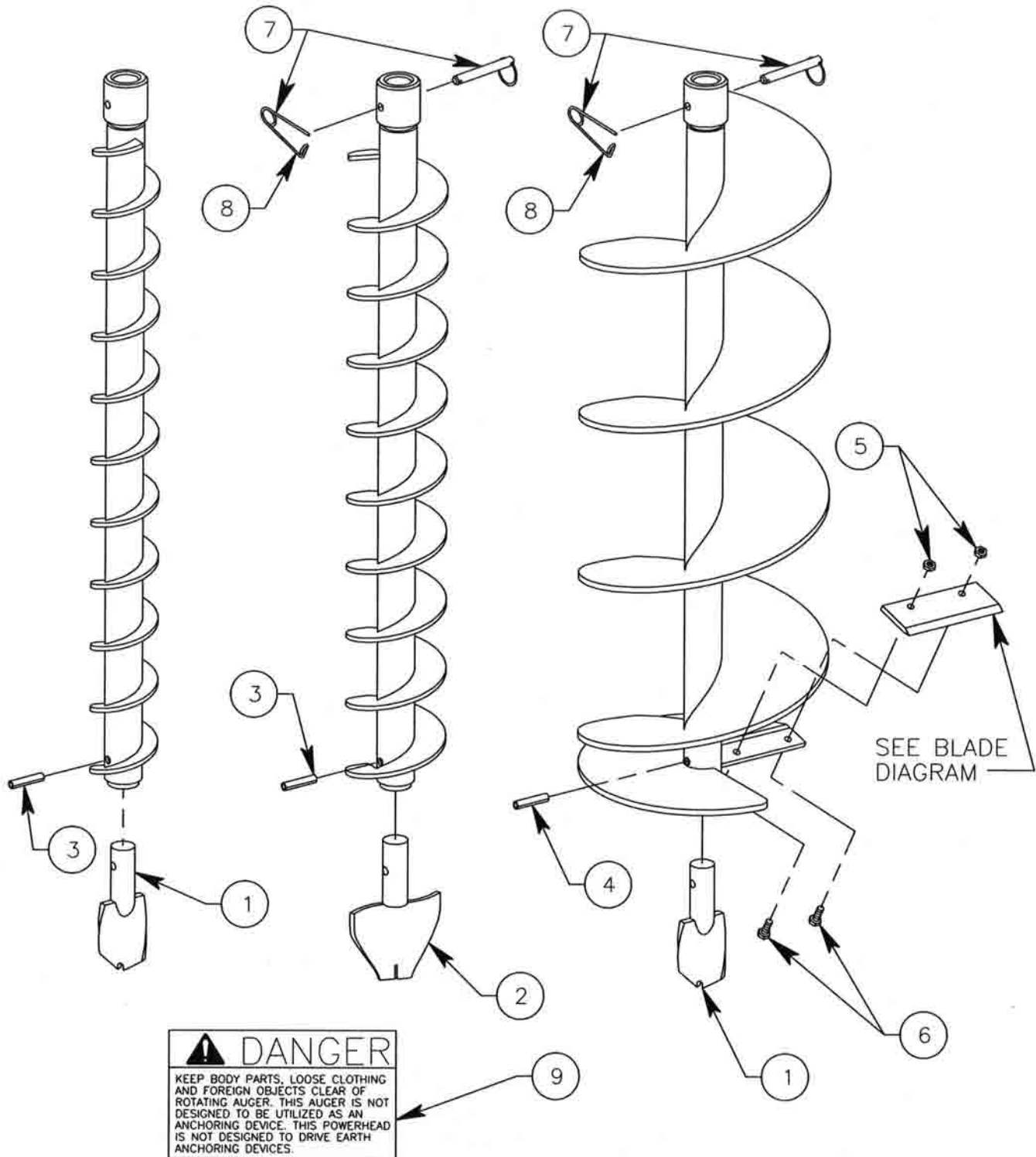
REFERENCE NUMBER	PART NUMBER	DESCRIPTION	QTY
1	GX35NTT3-BLK	Engine, Honda, GX35	1
2	240-0090	Handle, Operator, Complete, Less Throttle Control	1
3	310-0030	Assembly, Control, Throttle, Complete	1
4	240-0130	Cover, Transmission	1
5	240-0120	Case, Transmission	1
6	240-0100	Gasket, Transmission	1
7	210-0330	Shaft, Drive	1
8	240-0340	Gear, Primary, 78 Tooth	1
9	210-0310	Gear, Pinion, Secondary	1
10	210-0320	Gear, Pinion, Clutch	1
11	240-0350	Gear, Secondary, 78 Tooth	1
12	240-0160	Drum, Clutch	1
13	240-0170	Assembly, Rotor Shoe, Clutch	1
14	240-0200	Stud, Mounting, M6 x 1/4-28, ZY	4
15	99502H	Bearing, Ball	1
16	240H-0080	Cable, Throttle	1
17	51020400	Pin, Dowel, 1/8" x 1/2"	2
18	3	Key, Woodruff, 1/8" x 1/2", Alloy	1
19	99R16	Bearing, Ball	2
20	5160-98	Ring, Snap	2
21	34041600	Screw, Machine, 1/4-20 UNC x 2", ZY	6
22	37040200	Screw, Panhead, Philips, 1/4-20 UNC x 5/16", ZY	2
23	16040000	Washer, Lock, 1/4" ZY	8
24	63050400	Key, Square, 5/16" x 1/2", PF	1
25	18040000	Nut, Hex, 1/4-20 UNC, ZY	6
26	AN-960-416L	Washer, Flat, 1/4", ZY	8
27	5677	Valve, Relief	1
28	210-5021	Decal, Danger	1
29	210-5041	Decal, Muffler, Hot	1
30	SG24-5072	Decal, Assistance	1
31	240-5020	Decal, Starting	1
32	240-5100	Decal, 811	1
33	GECD-5020	Decal, GENERAL	1
34	2121	Pin, Auger, w/Retaining Pin, 3/8" Diameter	1
35	AP-21-S	Pin, Safety	1
36	210-0010	Cap, Protective	1
37	12040001	Nut, Hexagon, 1/4-28 UNF, Washer, K-Lock, ZY	4
38	20020900	Pin, Roll, 1/8" x 1-1/8"	1
39	240-0180	Screw, Cap, Retaining, Clutch	2
40	240-0170 KIT	Kit, Repair, Clutch (Includes (1) P/N 240-0170, (2) P/N 240-0180, and (2) P/N 350-0190)	1
41	240-0190	Washer, Clutch	2
42	240-0150	Clip, Modified	2
43	48030401	Screw, Drive, #10-24 UNC x 1/2", ZY	2

**Transmission Assembly**  
**240H Hole Digger**  
**[Starting With Serial Number 136636]**

Reference Number	PART NUMBER	DESCRIPTION	QTY
44	SP8-5041	Decal, Caution, Eye/Ear Protection	1
45	240-5080	Decal, Weight	1
46	240-5030	Decal, 4 Stroke	1
47	240-5090	Decal, Carbon Monoxide	1
48	240H-0360	Bracket, Switch	1
49	90050-ZE1-000	Screw, Phillips, Self Tap, M5 x 8mm, ZY	2
50	240H-0340	Screw, Panhead, Phillips, #8-12, Type AB, ZY	2
51	240H-0350	Switch, Engine, ON/OFF	1
52	210-0720	Packet, Grease	1

## Replacement Parts Diagrams 2135 Series Earth Augers

1" Diameter Round Drive Connection  
For Use With 200 Series Hole Diggers



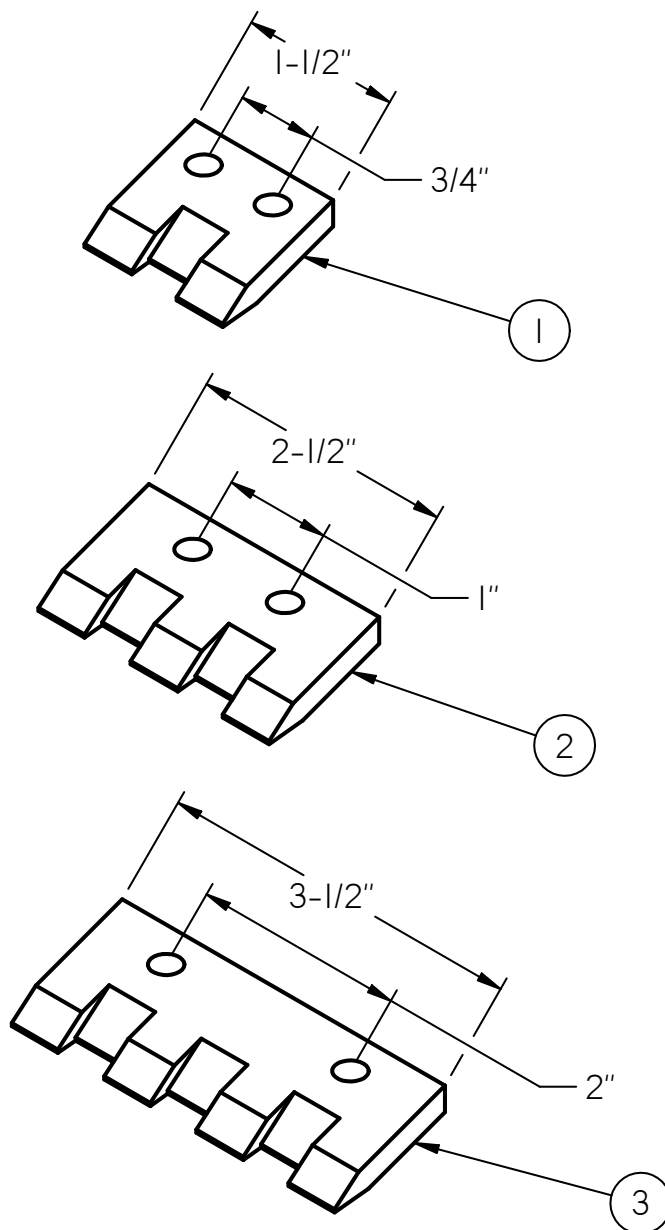
## **Replacement Parts Diagrams**

### **2135 Series Earth Augers**

1Inch Diameter Round Drive Connection  
For Use With 200 Series Hole Diggers

REFERENCE NUMBER	PART NUMBER	DESCRIPTION	QTY	APPLICATION
1	P801	Bit, Screw	1	2135-2E Auger  2135-4E thru 2135-8E Augers
2	P302	Bit, Screw	1	2135-3E Auger
3	20051000	Pin, Roll, 5/16" x 1-1/4", PF	1	2135-2E and 2135-3E Augers
4	20051200	Pin, Roll, 5/16" x 1-1/2", PF	1	2135-4E thru 2135-8E Augers
5	52040000	Nut, Hex, 1/4" UNC, Two Way, ZY	2	2135-4E thru 2135-8E Augers
6	15040700	Screw, Cap, 1/4" x 7/8" UNC, ZY	2	2135-4E thru 2135-8E Augers
7	2121	Pin, Auger (Includes P/N AP-21-S)	1	All Augers and 2135-15X Extension
8	AP-21-S	Pin, Safety	1	All Augers and 2135-15X Extension
9	233-5092	Decal, Danger	1	All Augers and 2135-15X Extension

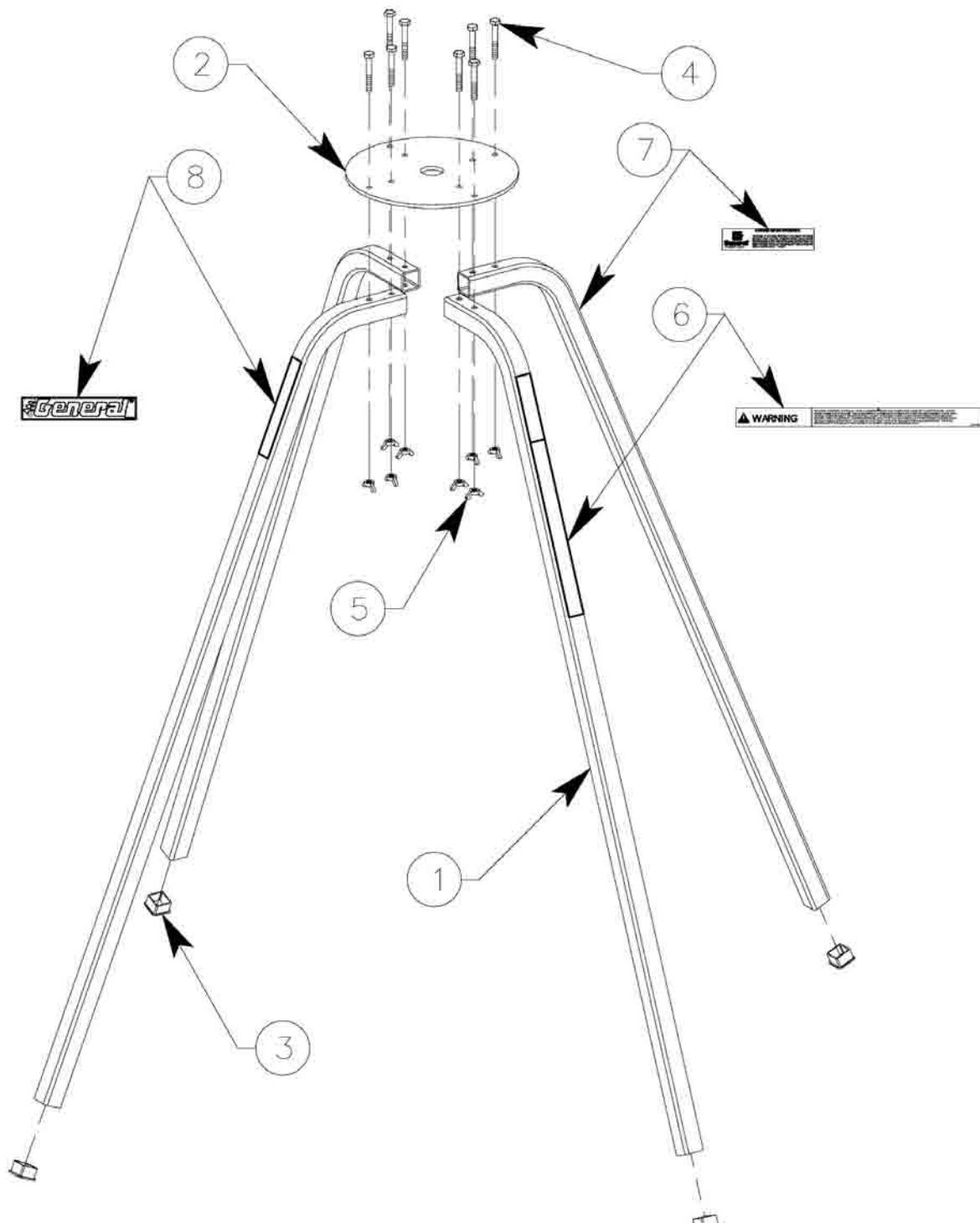
## Replacement Blade Diagrams For Use With 2135 Series Earth Augers



REFERENCE NUMBER	PART NUMBER	DESCRIPTION	QTY	AUGER APPLICATION
1	E244	Blade, Earth, 4" Dia. Auger	1	2135-4E
2	E246	Blade, Earth, 6" Dia. Auger	1	2135-6E
3	E248	Blade, Earth, 8" Dia. Auger	1	2135-8E



## Display Stand Assembly 210/240 Series Hole Diggers



## *Display Stand Assembly 210/240 Series Hole Diggers*

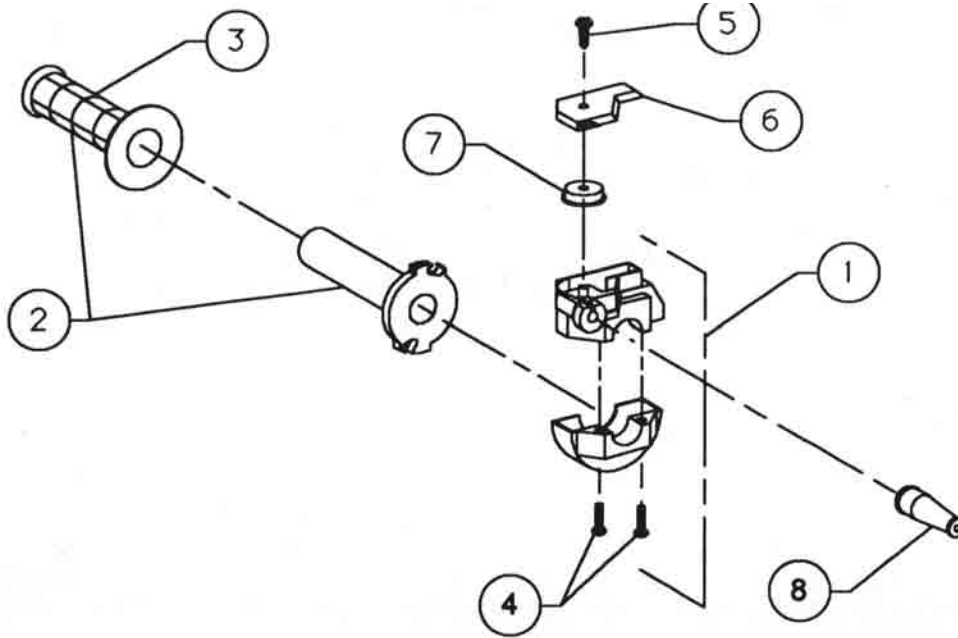
REFERENCE NUMBER	PART NUMBER	DESCRIPTION	QTY
1	999-4-010	Leg, Stand	4
2	999-4-020	Plate, Top	1
3	FP-164	Plug, CAP, Stand, Display	4
4	15041400	Screw, Cap, 1/4-20 UNC x 1-3/4" Long, ZY	8
5	43040000	Nut, Wing, 1/4-20 UNC, ZY	8
6	999-4-5010	Decal, Warning	1
7	SG24-5070	Decal, Assistance	1
8	GEDC-5010W	Decal, General	1



Know what's below.  
Call before you dig.



## Plastic Body Series 314 Magura® Throttle Control Assembly 240/300 Series Hole Diggers



Reference Number	PART NUMBER	DESCRIPTION	QUANTITY
1	310-0030-010-A	Assembly, Body, w/Screws, (Includes P/N 310-0030-040, Qty 2)	1
2	310-0030-020-A	Tube, Throttle, w/Grip (Includes P/N 310-0020-030)	1
3	310-0020-030	Grip, Throttle	1
4	310-0030-040	Screw, Head, Pan, M5 x 20	2
5	310-0030-050	Screw, Self Tapping	1
6	310-0030-060	Cover, Top	1
7	310-0030-070	Sheave, Roller	1
8	310-0020-080	Boot, Rubber	1