

# **Robin** **Generator**

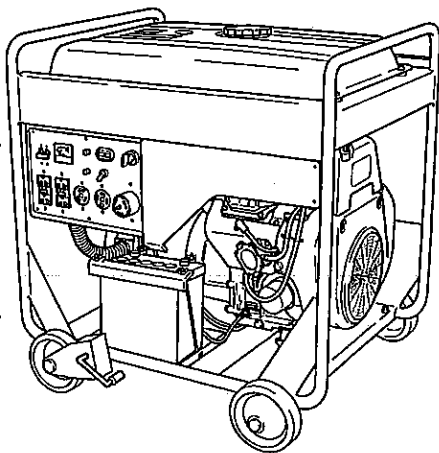


MODEL

# **RGV12100** **RGV13100T**

**WITH EMISSION CERTIFIED ENGINE**

## **INSTRUCTIONS for USE**



**3ZZ9020093**



**WARNING:**



The engine exhaust from this product contains chemicals known to the State of California to cause cancer, birth defects or other reproductive harm.

# FEDERAL EMISSION COMPONENT DEFECT WARRANTY

**EMISSION COMPONENT DEFECT WARRANTY COVERAGE** - This emission warranty is applicable in all States, except the State of California

Fuji Heavy Industries Ltd. and Robin America Inc., Wood Dale Illinois, (herein "ROBIN AMERICA") warrant to the initial retail purchaser and each subsequent owner, that this utility equipment engine (herein "engine") has been designed, built, and equipped to conform at the time of initial sale to all applicable regulations of the U.S. Environmental Protection Agency (EPA), and that the engine is free of defects in materials and workmanship which would cause this engine to fail to conform with EPA regulations during its warranty period.

For the components listed under PARTS COVERED, the dealer or service center authorized by ROBIN AMERICA will, at no cost to you, make the necessary diagnosis, repair, or replacement necessary to ensure that the engine complies with applicable U.S. EPA regulations.

## EMISSION COMPONENT DEFECT WARRANTY PERIOD

The warranty period for this engine begins on the date of sale to the initial purchaser and continues for a period of 2 years.

## PARTS COVERED

Listed below are the parts covered by the Emission Component Defect Warranty. Some of the parts listed below may require scheduled maintenance and are warranted up to the first scheduled replacement point for that part.

- 1) Fuel Metering system
  - (i) Carburetor and internal parts (and/ or pressure regulator or fuel injection system).
  - (ii) Air/ fuel ratio feedback and control system, if applicable
  - (iii) Cold start enrichment system, if applicable.
- 2) Air Induction System
  - (i) Intake manifold, if applicable.
  - (ii) Air filter.
- 3) Ignition System
  - (i) Spark plug
  - (ii) Magneto or electronic ignition system.
  - (iii) Spark advance/ retard system, if applicable.
- 4) Exhaust manifold, if applicable
- 5) Miscellaneous Items Used in Above Systems
  - (i) Electronic controls, if applicable.
  - (ii) Hoses, belts, connectors, and assemblies.

## OBTAINING WARRANTY SERVICE

To obtain warranty service, take your engine to the nearest Authorized Robin America, Inc., distributor or dealer. Bring your sales receipts indicating date of purchase for this engine.

The dealer or service center authorized by ROBIN AMERICA, will perform the necessary repairs or adjustments within a reasonable amount of time and furnish you with a copy of the repair order.

All parts and accessories replaced under this warranty become the property of ROBIN AMERICA.

## WHAT IS NOT COVERED

- \* Conditions resulting from tampering, misuse, improper adjustment (unless they were made by the dealer or service center authorized by ROBIN AMERICA during a warranty repair), alteration, accident, failure to use the recommended fuel and oil, or not performing required maintenance services.
- \* The replacement parts used for required maintenance services.
- \* Consequential damages such as loss of time, inconvenience, loss of use of the engine of equipment, etc.

- \* Diagnosis and inspection charges that do not result in warranty-eligible service being performed.
- \* Any non-authorized replacement part, or malfunction of authorized parts due to use of non-authorized parts.

## **OWNER'S WARRANTY RESPONSIBILITIES**

As the engine owner, you are responsible for the performance of the required maintenance listed in your owner's manual. ROBIN AMERICA recommends that you retain all receipts covering maintenance on your engine, but Robin America can not deny warranty solely for the lack of receipts or for your failure to ensure the performance of all scheduled maintenance.

As the engine owner, you should however be aware that the ROBIN AMERICA may deny your warranty coverage if your engine or a part has failed due to abuse, neglect, improper maintenance or unapproved modifications.

You are responsible for presenting your engine to the nearest dealer or service center authorized by ROBIN AMERICA when a problem exists.

If you have any questions regarding your warranty rights and responsibilities, you should contact the Robin America Inc. Customer service department at 1-630-350-8200 for the information.

## **THINGS YOU SHOULD KNOW ABOUT THE EMISSION CONTROL SYSTEM WARRANTY MAINTENANCE AND REPAIRS**

You are responsible for the proper use and maintenance of the engine. You should keep all receipts and maintenance records covering the performance of regular maintenance in the event questions arise. These receipts and maintenance records should be transferred to each subsequent owner of the engine. ROBIN AMERICA reserves the rights to deny warranty coverage if the engine has not been properly maintained. Warranty claims will not be denied, however, solely because of the lack of required maintenance or failure to keep maintenance records.

**MAINTENANCE, REPLACEMENT OR REPAIR OF EMISSION CONTROL DEVICES AND SYSTEMS MAY BE PERFORMED BY ANY REPAIR ESTABLISHMENT OR INDIVIDUAL ; HOWEVER, WARRANTY REPAIRS MUST BE PERFORMED BY A DEALER OR SERVICE CENTER AUTHORIZED BY ROBIN AMERICA. THE USE OF PARTS THAT ARE NOT EQUIVALENT IN PERFORMANCE AND DURABILITY TO AUTHORIZED PARTS MAY IMPAIR THE EFFECTIVENESS OF THE EMISSION CONTROL SYSTEM AND MAY HAVE A BEARING ON THE OUTCOME OF A WARRANTY CLAIM.**

If other than the parts authorized by ROBIN AMERICA are used for maintenance replacements or for the repair of components affecting emission control, you should assure yourself that such parts are warranted by their manufacturer to be equivalent to the parts authorized by ROBIN AMERICA in their performance and durability.

## **HOW TO MAKE A CLAIM**

All repairs qualifying under this limited warranty must be performed by a dealer or service center authorized by ROBIN AMERICA. In the event that any emission-related part is found to be defective during the warranty period, you shall notify ROBIN AMERICA customer service department at 1-630-350-8200 and you will be given the appropriate warranty service facilities where the warranty repair can be performed.

# **Emission Control System Warranty Statement**

## **CALIFORNIA EMISSION CONTROL WARRANTY STATEMENT**

### **YOUR WARRANTY RIGHTS AND OBLIGATIONS**

The California Air Resources Board and Fuji Heavy Industries Ltd. (herein "FUJI") are pleased to explain the emission control system warranty on your 2000 and later Small Off-Road engine (herein "engine"). In California, the engine must be designed, built and equipped to meet the State's stringent anti-smog standards. FUJI must warrant the emission control system on your engine for the periods of time described below, provided there has been no abuse, neglect or improper maintenance of your engine.

Your emission control system may include parts such as the carburetor and the ignition system. Also included may be hoses, connectors and other emission-related assemblies.

Where a warrantable condition exists, FUJI will repair your engine at no cost to you including diagnosis, parts and labor.

### **MANUFACTURER'S WARRANTY COVERAGE :**

The 2000 and later engines are warranted for two (2) years. If any emission related part on your engine is defective, the part will be repaired or replaced by FUJI.

### **OWNER'S WARRANTY RESPONSIBILITIES :**

-As the engine owner, you are responsible for the performance of the required maintenance listed in your Owner's Manual. FUJI recommends that you retain all receipts covering maintenance on your engine, but FUJI cannot deny warranty solely for the lack of receipts or for your failure to ensure the performance of all scheduled maintenance.

-As the engine owner, you should ,however, be aware that FUJI may deny you warranty coverage if your engine or a part has failed due to abuse, neglect, improper maintenance or unapproved modifications.

-You are responsible for presenting your engine to a dealer, distributor or warranty station authorized by ROBIN AMERICA Inc., 940 Lively Blvd., Wood Dale, IL60191 (herein "ROBIN AMERICA") as soon as a problem exists. The warranty repairs should be completed in a reasonable amount of time, not to exceed 30 days.

If you have any questions regarding your warranty rights and responsibilities, you should contact the ROBIN AMERICA Inc. customer service manager at 630-350-8200.

**LIMITED WARRANTY**  
**on Emission Control Systems**  
**— California Only —**

FUJI, Tokyo, Japan warrants to the owner of the 2000 and later engine that the engine (1) has been designed, built and equipped so as to conform at the time of manufacture with the applicable regulations of the California Air Resources Board, and (2) is free from defects in materials and workmanship which could cause it to fail to conform with those regulations as may be applicable in the terms and conditions stated below.

**A. COMMENCEMENT DATE**

The warranty period begins on the date the engine is delivered to a first retail purchaser.

**B. LENGTH OF COVERAGE**

FUJI warrants to a first retail purchaser and each subsequent purchaser that the engine is free from defects in materials and workmanship which cause the failure of a warranted emission-related part for a period of two (2) years after the date of delivery to the first retail purchaser.

**C. WHAT IS COVERED :**

**1. REPAIR OR REPLACEMENT PARTS**

Repairs and replacement of any warranted part will be performed at no charge to you by an authorized dealer, distributor or a warranty station. You may contact the ROBIN AMERICA Inc. customer service manager at 630-350-8200 to get the nearest appropriate location where your warranty repairs are performed.

**2. WARRANTY PERIOD**

This warranty continues for a period of two (2) years and shall apply only to the repair, replacement or adjustment of the component parts which are not scheduled for replacement as required maintenance. Further, component parts which are scheduled only for regular inspection to the effect of "repair or replace as necessary" shall be warranted for the warranty period. Any warranted part which is scheduled for replacement as required maintenance shall be warranted for the period of time up to the first scheduled replacement point for that part.

**3. DIAGNOSIS**

You shall not be charged for diagnostic labor which leads to the determination that a warranted part is defective, if the diagnostic work is performed at an authorized dealer, distributor or warranty station.

**4. DAMAGES**

If a warranted part failed causing damage to other engine components, consult a warranty station.

## **D. WHAT IS NOT COVERED**

1. This limited warranty does not cover any part which malfunctions, fails or is damaged due to failure to follow the maintenance and operating instructions set forth in the 2000 and later Owner's Manual including :
  - (1) Improper or inadequate maintenance of any warranted parts
  - (2) Improper installation, adjustment or repair of the engine or of any warranted part unless performed by an authorized dealer
  - (3) failure to follow recommendations on fuel use contained in the 2000 and later Owner's Manual
  - (4) repairs performed outside of the authorized warranty service facilities
  - (5) use of parts which are not authorized by FUJI
2. Add-on or modified parts  
This warranty does not cover any part which malfunctions, fails or is damaged due to alterations by changing, adding to or removing parts from the engine.
3. Expenses incurred by processing warranty claims  
FUJI, any authorized dealer, distributors and warranty station shall not be liable for any loss of use of the engine, for any alternative usage, for any damage to goods, loss of time or inconvenience.

## **E. HOW TO FILE A CLAIM**

All repairs qualifying under this Limited Warranty must be performed by a dealer who sold you the engine or distributors or warranty stations authorized by ROBIN AMERICA. In the event that any emission-related part is found to be defective during the warranty period, you shall notify ROBIN AMERICA Inc. customer service manager at 630-350-8200 and you will be given the appropriate warranty service facilities where the warranty repair is performed.

## **F. WHERE TO GET WARRANTY SERVICE**

It is recommended that warranty service be performed by the authorized dealer who sold you the engine, although warranty service will be performed by any authorized dealers, distributors and warranty stations anywhere in the United States. When warranty repair is needed, the engine must be brought to an authorized dealer, distributorship or warranty station's place of business during normal business hours. In all cases, a reasonable time, not to exceed 30 days, must be allowed for the warranty repair to be completed after the engine is received by the authorized dealer, distributor or service station.

## **G. MAINTENANCE, REPLACEMENT AND REPAIR OF EMISSION-RELATED PARTS**

Only warranted engine replacement parts approved by FUJI should be used in the performance of any warranty maintenance or repairs on emission-related parts. If other than authorized parts are used for maintenance, replacement or repair of components affecting emission control, you should assure yourself that such parts are warranted by their manufacturer to be equivalent to authorized parts in performance and durability. FUJI, however, assumes no liability under this warranty with respect to parts other than authorized parts. The use of non-authorized replacement parts does not invalidate the warranty on other components unless the non-authorized parts cause damage to warranted parts.

## H. PARTS COVERED UNDER THE CALIFORNIA EMISSIONS WARRANTY

- 1) Fuel Metering system
  - (i) Carburetor and internal parts (and/ or pressure regulator or fuel injection system).
  - (ii) Air/ fuel ratio feedback and control system, if applicable
  - (iii) Cold start enrichment system, if applicable.
- 2) Air Induction System
  - (i) Intake manifold, if applicable.
  - (ii) Air filter.
- 3) Ignition System
  - (i) Spark plug
  - (ii) Magneto or electronic Ignition system.
  - (iii) Spark advance/ retard system, if applicable.
- 4) Exhaust manifold, if applicable
- 5) Miscellaneous Items Used In Above Systems
  - (i) Electronic controls, if applicable.
  - (ii) Hoses, belts, connectors, and assemblies.

## I. MAINTENANCE STATEMENTS

It is your responsibility to have all scheduled inspection and maintenance services performed at the times recommended in the 2000 and later Owner's Manual and to retain proof that inspection and maintenance services are performed at the times when recommended. FUJI will not deny a warranty claim solely because you have no record of maintenance ; however, FUJI may deny a warranty claim if your failure to perform required maintenance resulted in the failure of warranted part. The proof which you maintain should be given to each subsequent owner of the engine. You are responsible for performing the scheduled maintenance described below based on the procedures specified in the 2000 and later Owner's Manual. The scheduled maintenance below is based on the normal engine operating schedule.

### PROCEDURE

### INTERVAL

- |   |   |
|---|---|
| 1) Clean engine and check bolts & nuts              | : Every 8 hours (daily)   |
| 2) Check and refill engine oil                      | : Every 8 hours (refill daily up to upper limit)                  |
| 3) Change engine oil                                | : Initial 20 hours (25 hours-Diesel) and every 50 hours afterward |
| 4) Check muffler exhaust outlet, clean if necessary | : Every 50 hours  |
| 5) Clean spark plug                                 | : Every 50 hours (weekly)   |
| 6) Clean air cleaner                                | : Every 50 hours (100 hours-Diesel)                               |
| 7) Check battery electrolyte fluid level            | : Every 50 hours  |
| 8) Clean oil filter (Diesel)                        | : Every 100 hours   |
| 9) Clean fuel filter (and fuel tank, if applicable) | : Every 200 hours (Monthly)                                       |
| 10) Clean and adjust spark plug and electrodes      | : Every 200 hours (Monthly)                                       |
| 11) Replace air cleaner element, if applicable      | : Every 200 hours   |
| 12) Clean carburetor                                | : Every 500 hours   |
| 13) Clean Injection Nozzle (Diesel)                 | : Every 500 hours   |
| 14) Remove carbon from cylinder head                | : Every 500 hours (1000 hours-Diesel)                             |
| 15) Adjust valve clearance, if applicable           | : Every 500 hours   |
| 16) Check and adjust valve seats                    | : Every 500 hours   |
| 17) Replace spark plug                              | : Every 500 hours   |
| 18) Replace fuel filter (Diesel)                    | : Every 500 hours   |
| 19) Replace fuel lines                              | : Every 1000 hours (Yearly)                                       |
| 20) Overhaul engine                                 | : Every 1000 hours (1500 hours-Diesel)                            |
| 21) Change engine oil filter, if applicable         | : Initial 20 hours and every 200* hours thereafter                |

\*More frequent maintenance may be necessary under dusty, dirty or severe conditions.



Thank you for purchasing a Robin generator.

This manual covers operation and maintenance of the Robin generators. All information in this publication is based on the latest production information available at the time of approval for printing.

Pay special attention to statements preceded by the following words:

**⚠ WARNING**

Indicates a strong possibility of severe personal injury, loss of life and equipment damage if instructions are not followed.

**[CAUTION]**

Indicates a possibility of personal injury or equipment damage if instructions are not followed.

**NOTE:**

Gives helpful information.

If a problem should arise, or if you have any questions about the generator, consult an authorized dealer or factory service center.

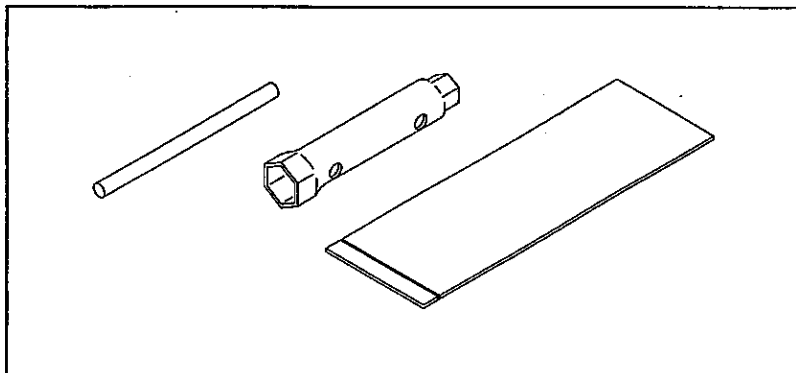
**⚠ WARNING**

- The generator is designed to give safe and dependable service if operated according to instructions.
- Do not operate the generator before you have read and understood the instructions. Failure to do so could result in death, personal injury or equipment damage.

---

■ **Check that following accessories come with your Robin Generator.**

- (1) Instruction for use
- (2) Wheel mounting parts (See page 36.)
- (3) Servicing tools
- (4) Battery mounting bracket  
(See page 8 and 9.)



■ **Be sure to replenish with engine oil.**  
(See page 6 for details.)

# CONTENTS

1. SAFETY PRECAUTIONS	1
2. SPECIFICATIONS	4
3. COMPONENTS	5
4. PRE-OPERATION CHECKS	6
5. OPERATING PROCEDURES	11
6. WATTAGE INFORMATION	24
7. MAINTENANCE SCHEDULE	26
8. "HOW-TO" MAINTENANCE	28
9. PREPARATION FOR STORAGE	32
10. TROUBLESHOOTING	33
11. WIRING DIAGRAM	34
12. OPTIONAL PARTS	36

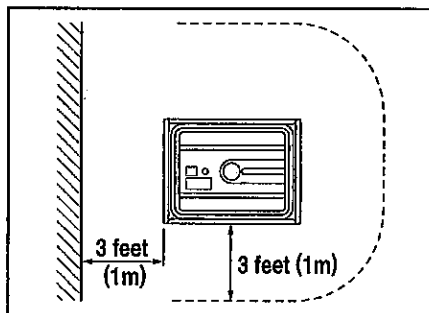
# 1. SAFETY PRECAUTIONS

---

- ⚠ Do not operate the generator near gasoline or gaseous fuel because of the potential danger of explosion or fire.  
Do not fill the fuel tank with fuel while the engine is running. Do not smoke or use open flame near the fuel tank. Be careful not to spill fuel during refueling. If fuel is spilt, wipe it off and let dry before starting the engine.








- ⚠ Do not place inflammables near the generator.  
Be careful not to place fuel, matches, gunpowder, oily cloths, straw, trash, or any other inflammables near the generator.


- ⚠ Do not operate the generator inside a room, cave, tunnel, or other insufficiently ventilated area. Always operate it in a well-ventilated area, otherwise the engine may become overheated, and the poisonous carbon monoxide gas contained in the exhaust gases will endanger human lives. Keep the generator at least 3 feet (1 meter) away from any structure or building during use.





If the generator must be used indoors, the area must be well-ventilated and extreme caution must be taken regarding the discharge of exhaust gases.

- ⚠ Do not enclose the generator nor cover it with a box.  
The generator has a built-in forced air cooling system, and may become overheated if it is enclosed. If generator has been covered to protect it from the weather during non use, be sure to remove it and keep it well away from the area during generator use.

- 
-  Operate the generator on a level surface.  
It is not necessary to prepare a special foundation for the generator. However, the generator will vibrate on an irregular surface, so choose a level place without surface irregularities.  
If the generator is tilted or moved during operation, fuel may spill and/ or the generator may tip over, causing a hazardous situation.  
Proper lubrication cannot be expected if the generator is operated on a steep incline or slope. In such a case, piston seizure may occur even if the oil is above the upper level.
-  Pay attention to the wiring or extension cords from the generator to the connected device.  
If the wire is under the generator or in contact with a vibrating part, it may break and possibly cause a fire, generator burnout, or electric shock hazard. Replace damaged or worn cords immediately.
-  Do not operate in rain, in wet or damp conditions, or with wet hands.  
The operator may suffer severe electric shock if the generator is wet due to rain or snow.
-  If wet, wipe and dry it well before starting. Do not pour water directly over the generator, nor wash it with water.
-  Be extremely careful that all necessary electrical grounding procedures are followed during each and every use. Failure to do so can be fatal.
-  Do not contact the generator to a commercial power line. Connection to a commercial power line may short circuit the generator and ruin it or cause electric shock hazard. Use the transfer switch for connecting to domestic circuit.
-  No smoking while handling the battery. The battery emits flammable hydrogen gas, which can explode if exposed to electric arcing or open flame. Keep the area well-ventilated and keep open flames/sparks away when handling the battery.

 Engine becomes extremely hot during and for some time after operation. Keep combustible materials well away from generator area. Be very careful not to touch any parts of the hot engine especially the muffler area or serious burns may result.

 Keep children and all bystanders at a safe distance from work areas.

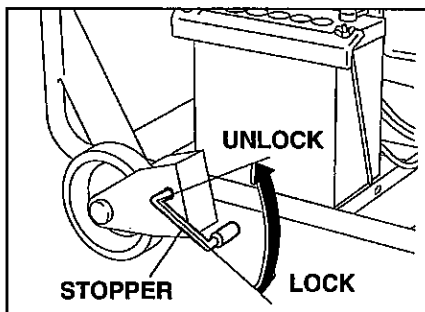
 It is absolutely essential that you know the safe and proper use of the power tool or appliance that you intend to use. All operators must read, understand and follow the tool/appliance owners manual. Tool and appliance applications and limitations must be understood. Follow all directions given on labels and warnings. Keep all instruction manuals and literature in a safe place for future reference.

## Notes on installation

1. If you provide the generator with wheels, always be sure to place the generator on a level surface, locking the wheel with the stopper and/or chocking the wheels.
2. Select a place which allows you to maintain and inspect the generator, which is not exposed to contamination caused by exhaust gas.

If you are planning to install the generator without its wheels attached, consider the work efficiency in terms of an oil change.

3. In ground connection, be sure to use the designated ground terminal.  
(A grounding cable is not included in the set of accessories.)
4. During use, be sure not to disconnect the battery.
5. While the power is on, do not unplug the unit or disconnect cables from the terminals.



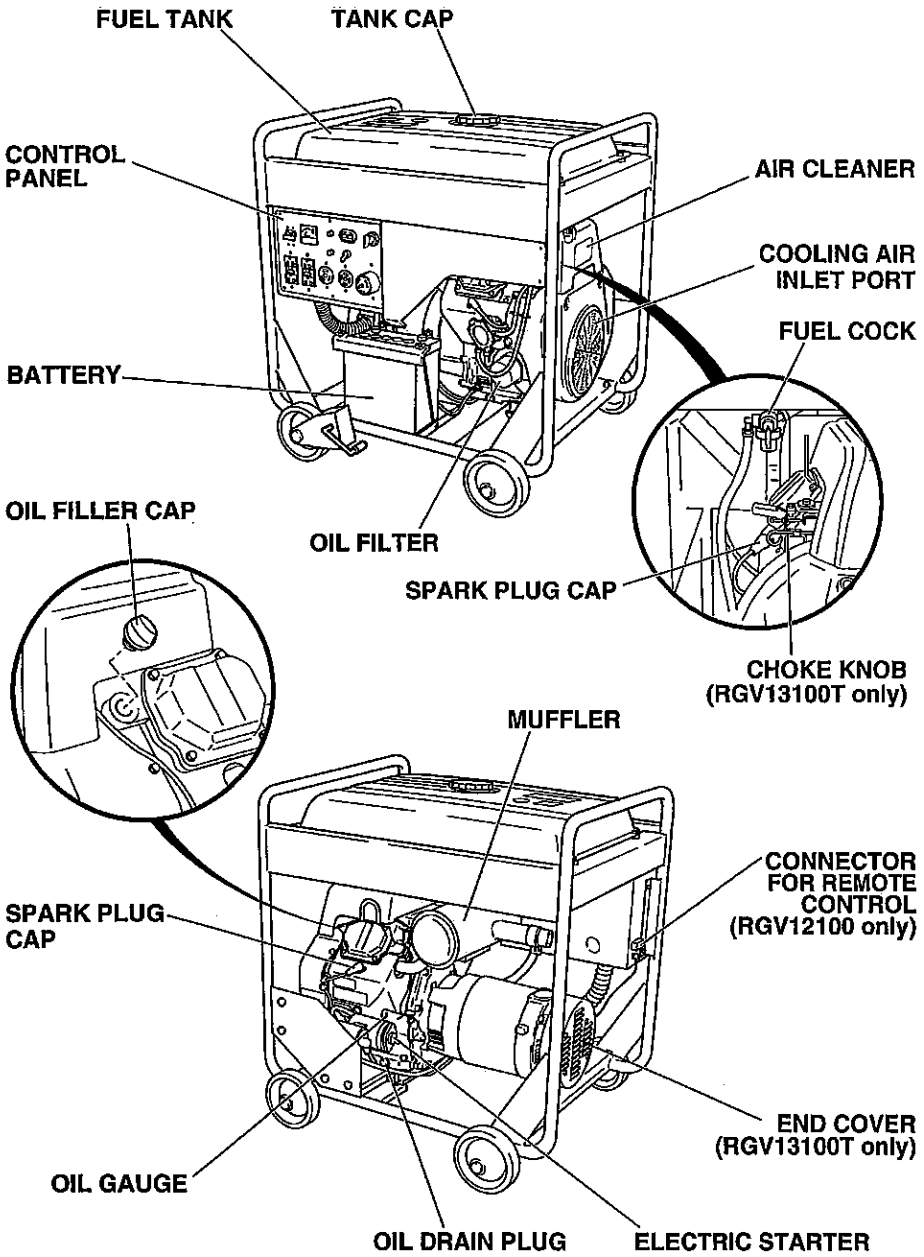
## 2. SPECIFICATIONS

Model		RGV12100	RGV13100T
Alternator	Type	Brush, Self-exciting, 2-pole, Single-phase	Brush, Self-exciting, 2-pole, 3-phase
	Rated frequency	60 Hz	
	Rated voltage	120V / 240V	120V / 208V
	Maximum output	12000 VA	13000 VA
	Rated output	9500 VA	10000 VA
	Power factor	1.0	0.8
	Voltage regulator	A.V.R type	C.T. type
Engine	Model	EH65D	EH63D
	Type	Twin cylinder, Air-cooled, 4-stroke, Overhead valve engine	
	Displacement	653 cm <sup>3</sup> (39.8 cu. in.)	
	Fuel	Unleaded automobile gasoline	
	Oil capacity	0.41 US-gal / 1.55 liters	
	Starting system	Electric starter	
Fuel tank capacity		11.38 US-gal (44 liters)	
Rated continuous operation per a tankful of fuel	Rated	Approx. 8.2 hours	Approx. 8.9 hours
Dimension	Large	32.5 in. / 826 mm	
	Width	24.1 in. (30.2 in.) / 611 mm (766 mm) *1	
	High	30.4 in. (33.7 in.) / 771 mm (856 mm) *1	
Dry weight		141 kg (149 kg) *2	143 kg (151 kg) *2
Remote controller terminal (Auto choke)		Standard	_____

\*1: ( ) shows dimensions with castors.

\*2: ( ) shows dry weight with castors installed.

# 3. COMPONENTS





# 4. PRE-OPERATION CHECK

## CHECK ENGINE OIL

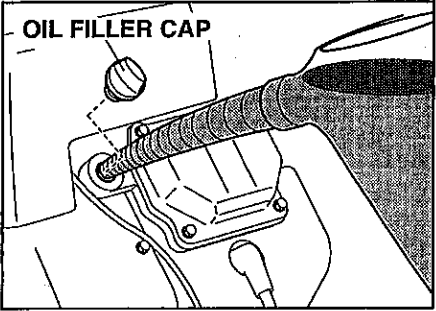
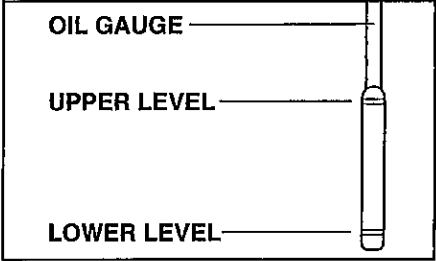
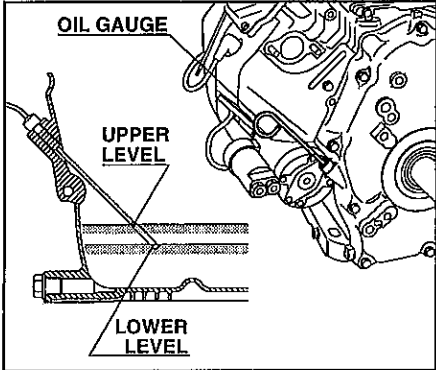
Before checking or refilling oil, be sure generator is located on stable and level surface with engine stopped.

- 1) Remove oil level gauge and check the engine oil level.
- 2) If oil level is below the lower level "L" refill with suitable oil (see table) to upper level "F" after removing the engine oil filler cap.
- 3) Change oil if contaminated.  
(See "How-To" Maintenance.)

**Oil capacity** . . . . . 0.41 US-gal (Upper level)  
1.55 liters (Upper level)

**NOTE :**

- The engine is equipped with an oil sensor unit (hydraulic pressure detection type) that will automatically stop the engine if oil in the crank case is reduced below the specified level. Should the engine be automatically stopped, be sure to check the amounts of fuel and oil.
- When the oil is reduced below the specified level, add new oil to the upper limit. Since the oil sensor will not detect the deterioration of oil, visually check the quality or determine it by the specified time and then change the oil if necessary.  
(Refer to page 27.)



**Recommended engine oil :**

Use class "SE" (API classification) oil or a higher grade oil according to the table below. SAE 10W-30 is recommended for general, all-temperature use. If single viscosity oil is used, select the appropriate viscosity for the average temperature in your area.

Single grade	5W							
	10W							
Multigrade	20W							
	#20							
Ambient temperature	#30							
	#40							
		10W-30		10W-40				
		-20	-10	0	10	20	30	40°C
		-4	14	32	50	68	86	104°F

## CHECK ENGINE FUEL

### **⚠ WARNING**

**Do not refuel while smoking or near open flame or other such potential fire hazards. Otherwise fire accident may occur.**

- 1) Check fuel level at fuel level gauge.
- 2) If fuel level is low, refill with unleaded automotive gasoline.
- 3) Be sure to use the fuel filter screen on the fuel filter neck.

### **Recommended fuel :**

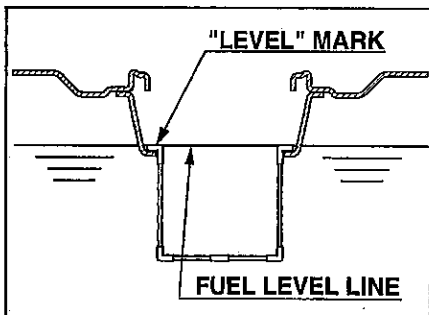
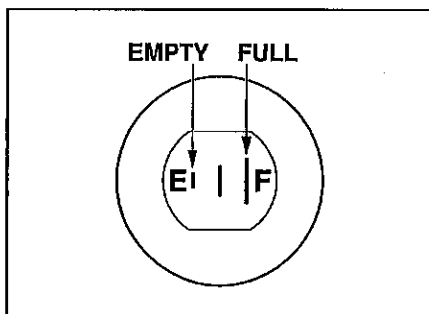
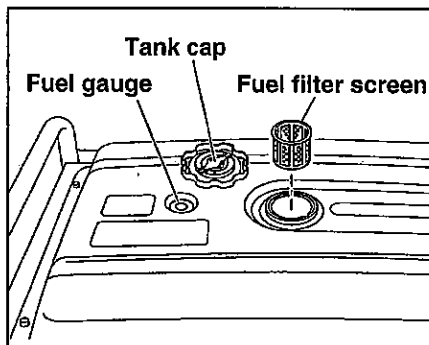
Unleaded automotive gasoline of octane rating RON87 or higher.

### **Fuel tank capacity :**

11.38 US-gal (44 liters)

### **NOTE :**

- The full level of fuel is the upper surface of the fuel filter.
- Refuel through each filler hole alternately for easier operation. In this case, be sure to add the fuel little by little when the fuel level approaches to the full level.
- Since the pair of tanks are connected in parallel, the fuel levels are changed during refueling. You cannot use each tank alternately.



Continuous operation time in normal use (rated load)	
RGV12100	Approx. 8.2 hours
RGV13100T	Approx. 8.9 hours

### **WARNING**

**Make sure you review each warning in order to prevent fire hazard.**

- **Do not refill tank while engine is running or hot.**
- **Close fuel cock before refueling with fuel.**
- **Be careful not to admit dust, dirt, water or other foreign objects into fuel.**
- **Do not fill above the top of the fuel filter (marked "LEVEL") or the fuel may overflow when it heats up later and expands.**
- **Wipe off spilt fuel thoroughly before starting engine.**
- **Keep open flames away.**

## **BATTERY INSTALLATION**

### **Recommended Battery**

Lead-acid battery : A capacity of 12V-32A·h or larger.

For the generators used in low temperature (below -5°C),  
12V-40A·h or larger battery is recommended.

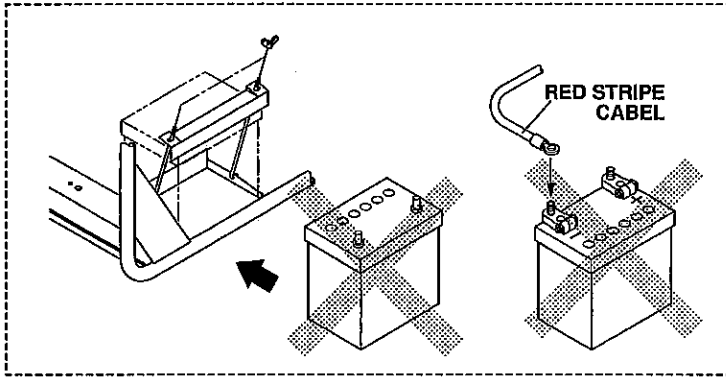
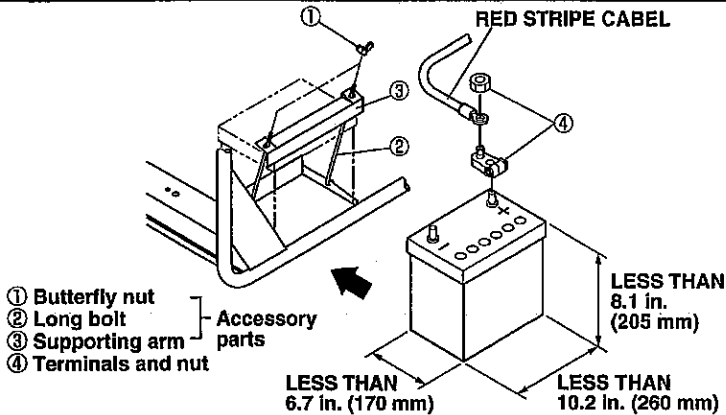
- 1) Attach terminals to a lead-acid battery already charged. Mount the battery onto the position as specified below, with its terminals facing inward.
- 2) Insert each long bolt through the specified hole, its tip pointing outward.
- 3) Put the supporting arm on the long bolts and tighten with the butterfly nuts.  
(Push the lead-acid battery all the way inward.)
- 4) Arrange the wiring so that it won't be damaged by possible vibration caused by the engine.
- 5) Only after checking that the engine's starter key is in the "OFF" position, securely connect the cable with a red stripe, to the positive (+) terminal. And then connect the other cable to the negative (-) terminal.

**Cable with red stripe : to the (+) terminal**

**Cable with no stripe : to the (-) terminal**

## [CAUTION]

Should the connection be made in incorrect manner, the engine will be broken.



## ⚠ WARNING

Death, personal injury and/ or property damage may occur unless instructions are followed carefully.

- Disconnect battery cables when charging battery.
- Use battery of specified capacity listed in the owner's manual.
- Turn the starter switch to the "STOP" position when mounting or dismantling battery. Connect positive (+) terminal first when mounting battery, and disconnect negative (-) terminal first when dismantling.

**RED CABLE : To positive (+) terminal**

**BLACK CABLE : To negative (-) terminal**

---

## CHECK COMPONENT PARTS

Check following items before starting engine:

- Fuel leakage from fuel hose, etc.
- Bolts and nuts for looseness.
- Components for damage or breakage.
- Generator not resting on or against any adjacent wiring.

## CHECK GENERATOR SURROUNDINGS

### **WARNING**

Make sure you review each warning in order to prevent fire hazard.

- Keep area clear of inflammables or other hazardous materials.
- Keep generator at least 3 feet (1 meter) away from buildings or other structures.
- Only operate generator in a dry, well ventilated area.
- Keep exhaust pipe clear of foreign objects.
- Keep generator away from open flame. No smoking!
- Keep generator on a stable and level surface.
- Do not block generator air vents with paper or other material.

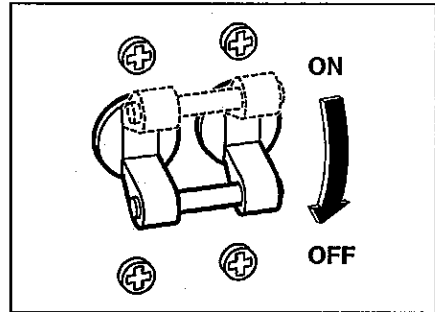
# 5. OPERATING PROCEDURES

## STARTING THE ENGINE

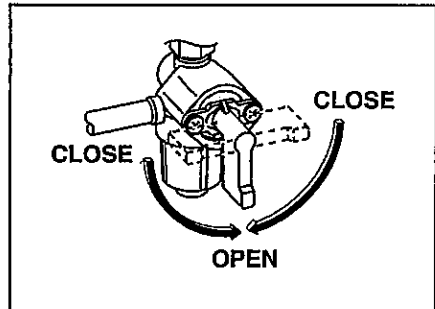
### [CAUTION]

- Check the oil level before each operations. (See page 6)
- Perform the specified Daily Inspection to see if it is in normal condition.

- (1) Make sure that the no-fuse breaker is off.



- (2) Turn the fuel cock to the vertical (open) position

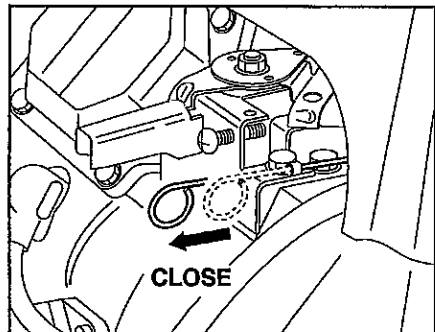


- (3) (RGV13100T)

Pull the choke knob to the fully closed position.

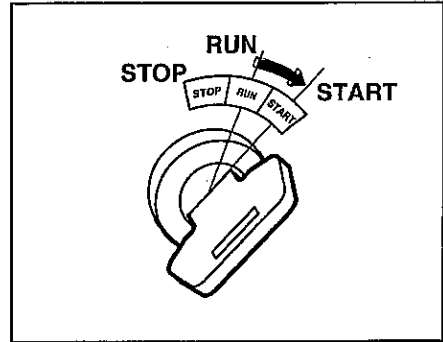
### NOTE :

Be sure to pull the choke even if the engine is warm.



(4) Turn the starter switch to the "START" position.

If the engine won't start, turn the switch back to "ON" position and then wait for approximately 10 seconds to try it again.



**NOTE :**

- You might have to keep the starter running for at least 3 to 5 seconds, since the engine incorporates the mechanism in it where the ignition circuit is activated by the increase of hydraulic pressure.

- In the following occasion, two or three trials may be required for starting the engine :

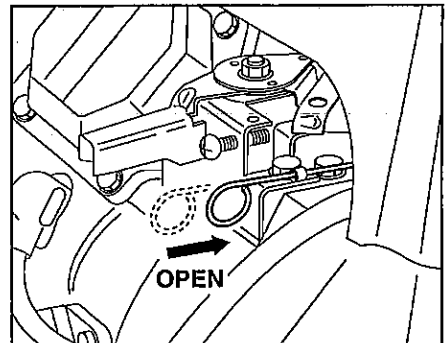
- (1) The very first starting of a new generator.
- (2) After the refueling of the engine which has been stopped due to fuel shortage.
- (3) Starting after the oil filter change.

**(RGV13100T)**

- Even if the engine has already been warmed, be sure to pull the choke knob.

**(4) (RGV13100T)**

Return the starter switch to "ON" position soon after the engine has started and then push the choke knob. In cold weather, be sure to push it gradually.



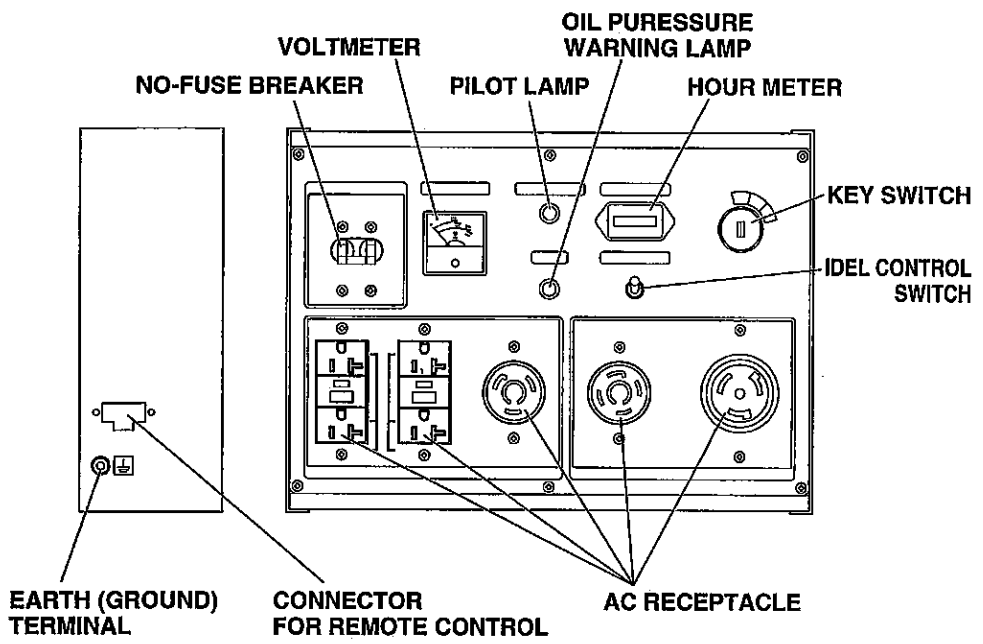
(5) Warm the engine up for a minute or two. Longer time would be needed in cold weather.

# USING ELECTRIC POWER

## ⚠ WARNING

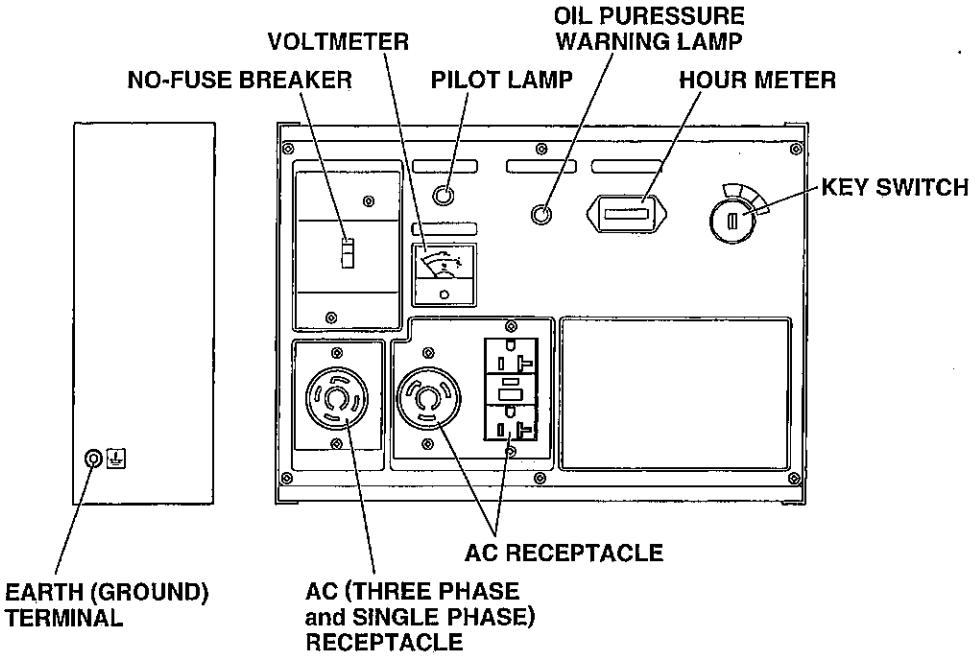
- Make sure that the appliance is switched OFF before connecting it to the generator.
- Do not move the generator while it is running.
- Be sure to ground the generator if the connected appliance is grounded. Failure to ground unit may lead to electrical shock.

## CONTROL PANEL (RGV12100)





(RGV13100T)



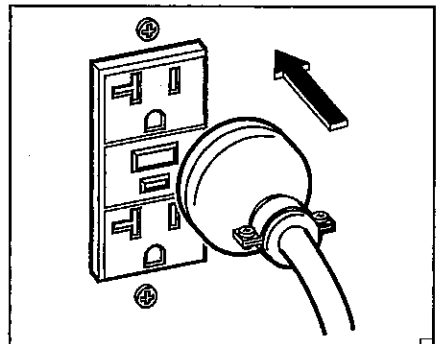
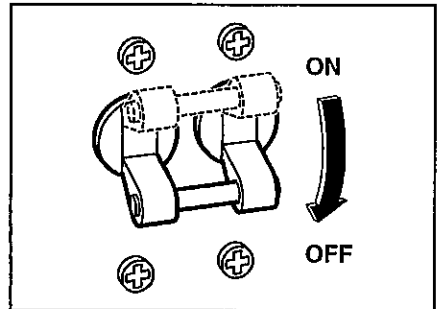
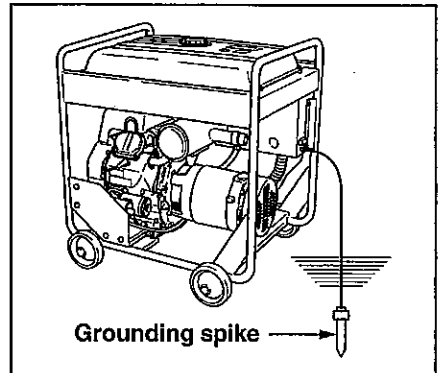
## (1) AC APPLICATION

(a) Ground the generator, using the ground terminal located at the side of the panel.

(b) Before starting the engine, check that the no-fuse breaker of the generator and the power switches of the appliances are turned off.

(c) Connect the plugs of the appliances to the receptacles before starting the engine. If you wish to use for a long period of time, connecting to the output terminal is recommended.

(d) Start the engine and check that the voltage meter is indicating correct voltage.



- Check the amperage of the receptacles used referring to **TABLE 1**, and be sure not to take a current exceeding the specified amperage.
- Be sure that the total wattage of all appliances dose not exceed the rated output of the generator.






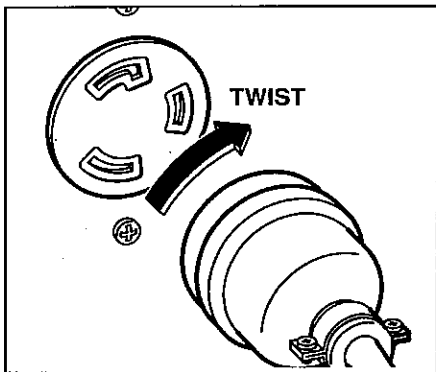
Style	Ampere	Receptacle	AC plug	Description
	up to 20A	NEMA 5-20R	NEMA 5-20P	GFCI (Ground Fault Circuit Interrupter) Receptacle, duplex (REC1)
	up to 30A	NEMA L5-30R	NEMA L5-30P	Locking Receptacle (REC2)
	up to 30A	NEMA L14-30R	NEMA L14-30P	Locking Receptacle (REC3)
	up to 50A	Locking Receptacle (REC4)		
	up to 30A	NEMA L21-30R	NEMA L21-30P	Locking Receptacle (REC5)

TABLE 1

**⚠ WARNING**

- To take power out from the TWIST LOCK RECEPTACLE, insert the plug into the receptacle, and turn it clockwise to the lock position.
- Be sure to ground the generator if the connected electrical device is grounded.



**NOTE :**

When the no-fuse breaker turns off during operation, the generator is over loaded or the appliance is defective. Stop the generator immediately, check the appliance and / or generator for overloading or detect and have repaired as necessary by Robin dealer or service shop.

---

## [CAUTION]

The duplex 120V receptacle is protected by a GFCI (Ground Fault Circuit Interrupter). GFCI shuts off the output current from the duplex 120V receptacle when a ground fault occurs in the generator or the appliance. Please note that other receptacles are not protected by GFCI.

## GFCI RECEPTACLE

After starting the engine, check the GFCI for proper functioning by the following test procedure.

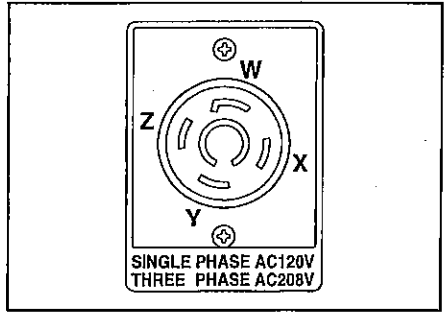
- Push blue TEST button, The red RESET button will pop out exposing the word TRIP. Power is now off at the outlets protected by the GFCI, indicating that the device is functioning properly.
- If TRIP does not appear when testing, do not use the generator. Call a qualified electrician.
- To restore power, push RESET button.

## WARNING

If the RESET button pops out during operation, stop the generator immediately and call a qualified electrician for checking generator and the appliances.

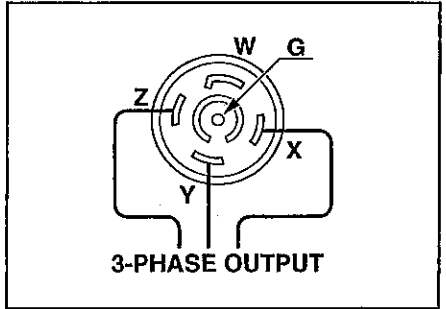
## AC (THREE PHASE) RECEPTACLE (RGV13100T only)

RGV13100T has a receptacle for three phase (208V) and single phase (120V) as follows :



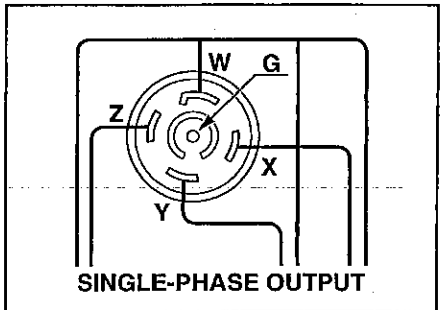
- Three phase application (208V)  
Insert the plug into the receptacle X, Y and Z.

Generator rated output : 10000VA



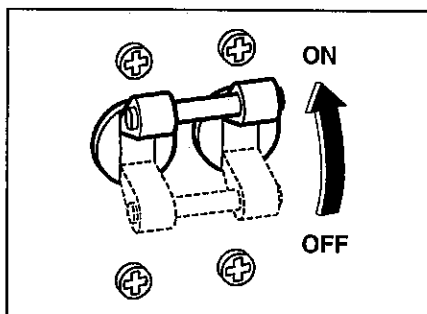
- Single phase lower application (120V)  
Insert the plug into the receptacle W and X, W and Y, W and Z.  
Maximum one-third (1/3) of generator output can be utilized from each phase.

Generator rated output :  
3324VA (120V x 27.7A)



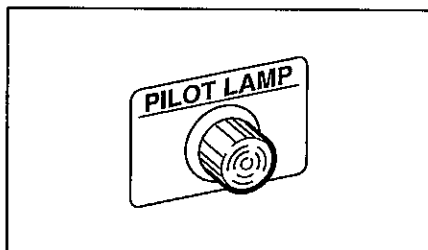
## NOTE :

When the no-fuse breaker turns off during operation, the generator is over loaded or the appliance is defective. Stop the generator immediately, check the appliance and / or generator for overloading or detect and have repaired as necessary by Robin dealer or service shop.



(e) Turn the breaker on to see if the pilot lamp lights up.

(f) Turn on the switch of the appliance.



## (2) CONNECTING TO DOMESTIC CIRCUIT (HOUSE WIRING for RGV12100)

### **⚠ WARNING**

**This generator is neutral grounded type (RGV12100).  
(ungrounded type RGV13100T)**

**If a generator is to be connected to residential or commercial power lines, such as a stand-by power source during power outage, all connections must be made by a licensed electrician.**

**Failure in connection may result in death, personal injury, damage to generator, damage to appliances, damage to the building's wiring or fire.**

(a) When connecting a Robin generator to a house wiring, generator output power must be taken from the 240V-4P receptacle.

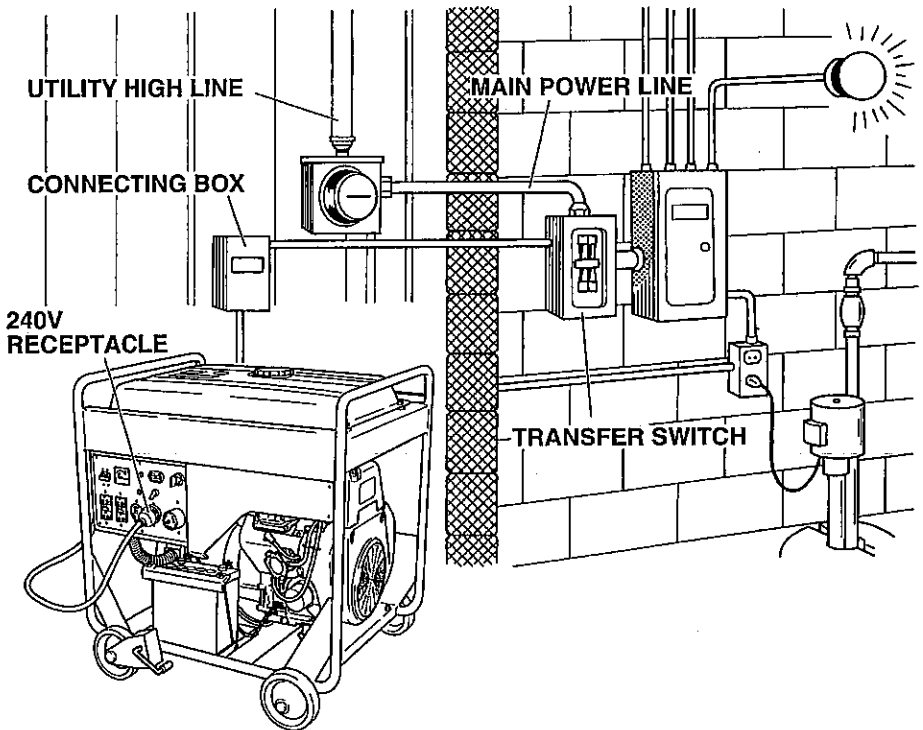
(b) Install a transfer switch.

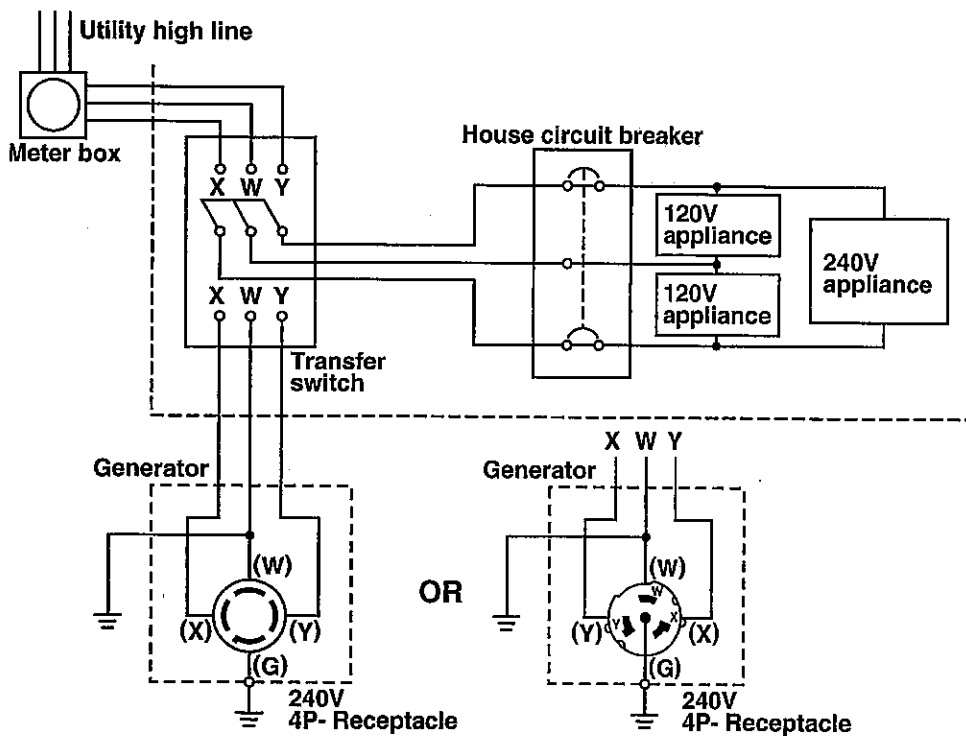
A transfer switch must be installed to transfer the load from the commercial power source to the generator. This switch is necessary to prevent accidents caused by the recovery from power outage. Use a transfer switch of the correct capacity.

Install transfer switch between the meter and the fuse or AC breaker box.

**[CAUTION]**

If the neutral wire of house wiring is grounded, be sure to ground the ground terminal of the generator. Otherwise an electric shock may occur to the operator.





(c) Operating the generator.

- Turn the house AC breaker off before starting the generator.
- Start the generator and warm it up.
- Turn the house AC breaker on.

**[CAUTION]**

**Do not start the generator with electrical appliance (s) connected and with their switches on.**

**Otherwise the appliance (s) may be damaged by the surge voltage at starting.**



### (3) IDLE CONTROL SWITCH (RGV12100 only)

IDLE CONTROL SWITCH automatically reduces engine speed when load is OFF, and automatically increases engine speed to rated r.p.m. when load is ON. IDLE CONTROL SWITCH provides fuel economy and low noise operation at no-load running.

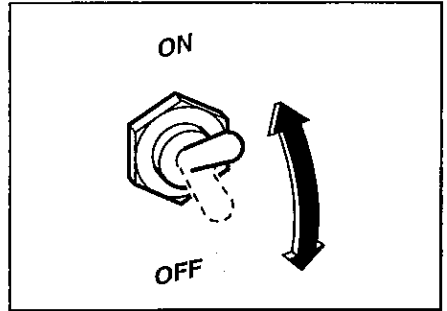
#### (1) HOW TO USE IDLE CONTROL SWITCH

- Start the engine with IDLE CONTROL SWITCH off.

#### NOTE :

Warm up the engine without a load for a few minutes.

- Turn IDLE CONTROL SWITCH on.



#### (2) CHECKING THE OPERATION

When IDLE CONTROL SWITCH does not operate normally, please check following :

- Overloaded ?  
Please make it sure that the generator is not overload.

#### NOTE :

Most induction loads such as electric motors require three to five times more wattage than their ratings during starting.

This starting wattage should not exceed the rated output of the generator for proper operation of IDLE CONTROL SWITCH.

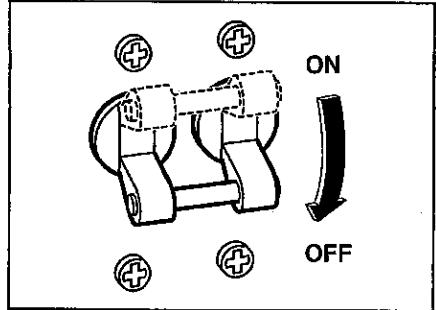
- Turn IDLE CONTROL SWITCH off when the IDLE CONTROL SWITCH does not work normally under the rated output.

#### NOTE :

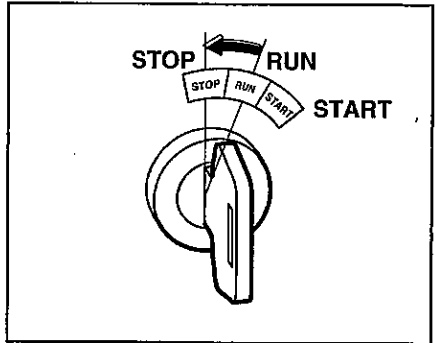
The IDLE CONTROL SWITCH may not operate when the applied load is under 40W. In such cases turn the IDLE CONTROL SWITCH off.

## STOPPING THE GENERATOR

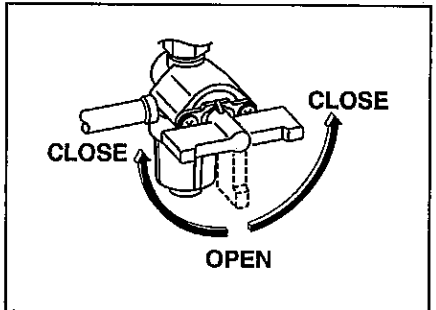
- (1) Turn off the power switch of the electric equipment.
- (2) Turn the no-fuse breaker to off.
- (3) Unplug the cord from receptacle of the generator.



- (4) Allow the engine to run at no-load for about 3 minutes to cool down before stopping.
- (5) Turn the starter switch to the STOP position.



- (6) Close the fuel cock.



# 6. WATTAGE INFORMATION

---

## **(Except RGV13100T)**

Some appliances need a "surge" of energy when starting.

This means that the amount of electrical power needed to start the appliance may exceed the amount needed to maintain its use.

Electrical appliances and tools normally come with a label indicating voltage, cycles/Hz, amperage (amps) and electrical power needed to run the appliance or tool.

Check with your nearest dealer or service center with questions regarding power surge of certain appliances or power tools.

- Electrical loads such as incandescent lamps and hot plates require the same wattage to start as is needed to maintain use.
- Loads such as fluorescent lamps require 1.2 to 2 times the indicated wattage during start-up.
- Loads for mercury lamps require 2 to 3 times the indicated wattage during start-up.
- Electrical motors require a large starting current. Power requirements depend on the type of motor and its use. Once enough "surge" is attained to start the motor, the appliance will require only 50% to 30% of the wattage to continue running.
- Most electrical tools require 1.2 to 3 times their wattage for running under load during use. (For example, a 9,000 watt generator can power a 3,200 to 7,000 watt electrical tool.)
- Loads such as submersible pumps, air conditioners and air compressors require a very large force to start. They need 3 to 5 times the normal running wattage in order to start. (For example, a 5,000 watt generator would only be able to drive a 1,800 to 3,100 watt pump.)
- If the power consumption of electrical appliances exceeds the operating range or if there is short circuit or other problems in the appliances, the AC breaker could trip "OFF" or the rotation of the generator could be abnormally reduced. In this case, stop the generator to see if the power consumption of the appliances is too large and if there is a problem in the appliances.
- The frequency (the number of the generators rotation) was adjusted before the time of shipment. Changing the frequency could result in the generators breakdown, so refrain from changing it.

To determine the total wattage required to run a particular electrical appliance or tool, multiply the voltage figure of the appliance/tool by the amperage (amps) figure of same. The voltage and amperage (amps) information can be found on a name plate which is normally attached to electrical appliances and tools.

Applications	Applicable Wattage (W)
	RGV12100
	60 Hz
Incandescent lamp, Heater	9,500
Fluorescent lamp, Electric tool	4,700
Pump, Compressor	2,400

**NOTE :**

- The above wattage chart is general guide only. Refer to your specific appliance for correct wattage.
- When you use two or more alternating current outlets at a time, be careful that the sum of the appliances' power consumption does not exceed the value specified in the above chart.

(All models)

**VOLTAGE DROP IN ELECTRIC EXTENSION CORDS**

When a long electric extension cord is used to connect an appliance or tool with the generator, a certain amount of voltage drop occurs in the extension cord which lessens the effective voltage available to the appliance or tool.

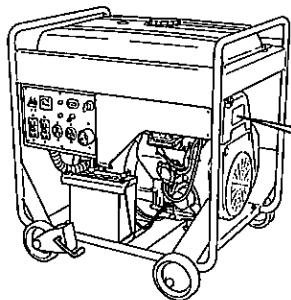
The chart below has been prepared to illustrate the approximate voltage loss when an extension cord of 300 feet (approx. 100 meters) is used to connect an appliance or tool to the generator.

Nominal cross section	A.W.G. Gauge No.	Allowable current	No. of strands / strands dia.	Resistance	Current Amp.							Voltage drop
					1A	3A	5A	8A	10A	12A	15A	
mm <sup>2</sup>	No.	A	No./mm	Ω/100m	1A	3A	5A	8A	10A	12A	15A	
0.75	18	7	30/0.18	2.477	2.5V	8V	12.5V	—	—	—	—	
1.27	16	12	50/0.16	1.486	1.5V	5V	7.5V	12V	15V	18V	—	
2.0	14	17	37/0.26	0.952	1V	3V	5V	8V	10V	12V	15V	
3.5	12 to 10	23	45/0.32	0.517	—	1.5V	2.5V	4V	5V	6.5V	7.5V	
5.5	10 to 8	35	70/0.32	0.332	—	1V	2V	2.5V	3.5V	4V	5V	

# 7. MAINTENANCE SCHEDULE

## DAILY INSPECTION

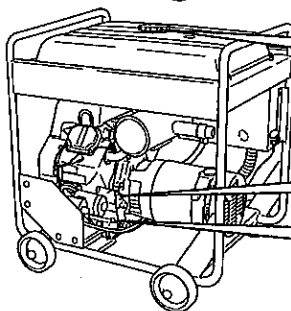
Before running the generator, check the following service items:



Safe surroundings

Leakage of gasoline and engine oil

Clean air cleaner element



Enough gasoline

Excessive vibration, noise

Enough clean engine oil

Loose or broken bolts and nuts

## PERIODIC MAINTENANCE

Periodic maintenance is vital to safe and efficient operation of your generator. Check the table below for periodic maintenance intervals.

It is also necessary for the user of this generator to conduct the maintenance and adjustments on the emission-related parts listed below to keep the emission control system effective.

The emission control system consists of the following parts :

- |                                   |   |                   |
|-----------------------------------|---|-------------------|
| (1) Carburetor and internal parts | (2) Choke system                            | (3) Fuel strainer |
| (4) Air cleaner elements          | (5) Intake pipe                             | (6) Spark plug    |
| (7) Magneto                       | (8) Fuel hoses, clamps, and sealing gaskets |                   |

The maintenance schedule indicated in the table is based on the normal generator operation. Should the generator be operated in extremely dusty condition or in heavier loading condition, the maintenance intervals must be shortened depending on the contamination of oil, clogging of filter elements, wear of parts, and so on.

	8 hours (daily)	20 hours	50 hours (weekly)	200 hours (monthly)	500 hours	1000 hours
CLEAN GENERATOR AND CHECK BOLT AND NUTS	<b>X</b> (daily)					
CHECK AND REFILL ENGINE OIL	<b>X</b> (Refill daily up to upper limit)					
CHANGE ENGINE OIL (*Note1)		<b>X</b> (Initial)	<b>X</b>			
CHANGE OIL FILTER		<b>X</b> (Initial)		<b>X</b>		
CLEAN SPARK PLUG			<b>X</b>			
CLEAN AIR CLEANER			<b>X</b>			
CHECK BATTERY ELECTROLYTE FLUID LEVEL			<b>X</b>			
CHECK MUFFLER EXHAUST OUTLET, CLEAN IF NECESSARY			<b>X</b>			
CLEAN FUEL FILTER (AND FUEL TANK, IF APPLICABLE)				<b>X</b>		
CLEAN AND ADJUST SPARK PLUG AND ELECTRODES				<b>X</b>		
REPLACE AIR CLEANER ELEMENT, IF APPLICABLE				<b>X</b>		
REPLACE SPARK PLUG					<b>X</b>	
REMOVE CARBON FROM CYLINDER HEAD AND VALVE SEAT (*Note 2)					<b>X</b>	
ADJUST VALVE CLEARANCE, IF APPLICABLE (*Note 2)					<b>X</b>	
CLEAN AND ADJUST CARBURETOR (*Note 2)					<b>X</b>	
REPLACE FUEL LINES						<b>X</b> (yearly)
OVERHAUL ENGINE (*Note 2)						<b>X</b>

\*NOTE: 1. Initial oil change should be performed after first twenty (20) hours of operation. Thereafter change oil every fifty (50) hours.  
Before changing oil, check for a suitable way to dispose of old oil.  
Do not pour it down into sewage drains, onto garden soil or into open streams.  
Your local zoning or environmental regulations will give you more detailed instructions on proper disposal.

\*NOTE: 2. As to the procedures for these items, please refer to the SERVICE MANUAL or consult your nearest Robin service dealer.

# 8. "HOW-TO" MAINTENANCE

## ENGINE OIL CHANGE

### ■ Initial oil change

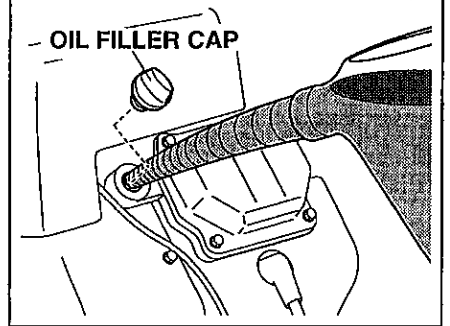
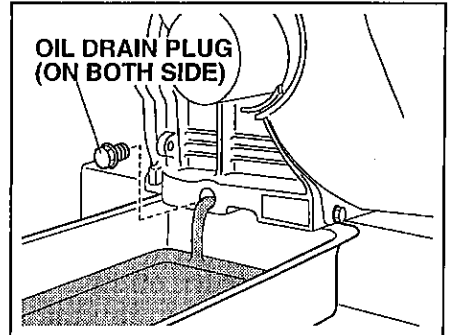
..... After 20 hours of operation

### ■ Thereafter

..... Every 50 hours of operation

1. When changing oil, stop the engine and loosen the drain plug.
2. Re-install the drain plug before refilling oil.
3. Refer to the recommended oil table on page 6.
4. Always use the best grade and clean oil. Contaminated oil, poor quality oil and shortage of oil cause damage to engine or shorten the engine life.

**Oil capacity** ..... 0.41 US-gal (Upper level)  
1.55 liters (Upper level)

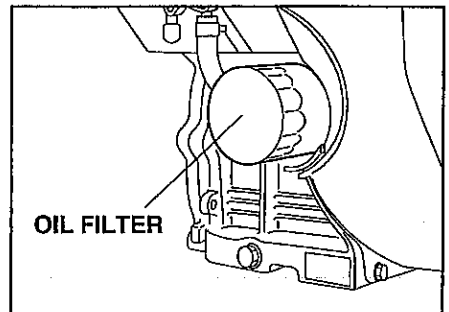


## ENGINE OIL FILTER REPLACEMENT

■ Initial engine oil filter replacement should be performed after 20 hours of operation. Thereafter replace the engine oil filter every 200 hours.

■ When installing a new oil filter, apply oil to O-ring, attach the oil filter in position and tighten 2/3 turns by hand or with wrench after touching the O-ring to the sealing surface of engine.

■ Run the engine for a minute ; stop the engine and check for oil leakage around the oil filter and recheck the oil level.



### **⚠ CAUTION**

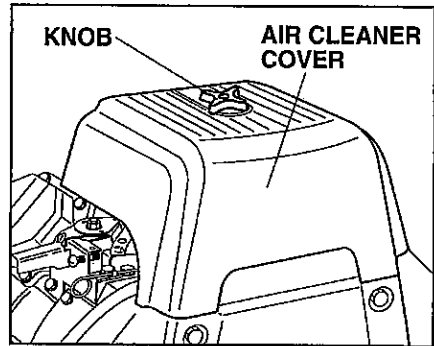
To prevent injury, pay attention to the spilled hot engine oil when replacing engine oil filter.

## SERVICING AIR CLEANER

A dirty air cleaner element will cause starting difficulty, power loss, engine malfunctions, and shorten engine life extremely.

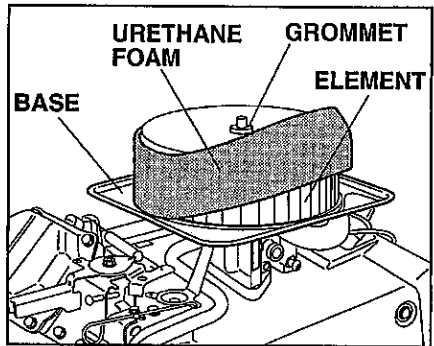
Always keep the air cleaner element clean. Replace the air cleaner element set more often in dusty environments.

The air cleaner paper inner element and urethane foam outer element can be removed after removing knob and air cleaner cover. When installing, set the paper element and urethane foam on the air cleaner base. Check that the grommet is in position, and then install the cover with knob tightened securely.



### ■ Urethane Foam cleaning

Wash and clean the urethane foam in kerosene. Saturate in a mixture of 3 parts kerosene and 1 part engine oil, and then squeeze to remove excess oil. Clean or replace the urethane foam element every 50 hours. (more often in dusty environments)



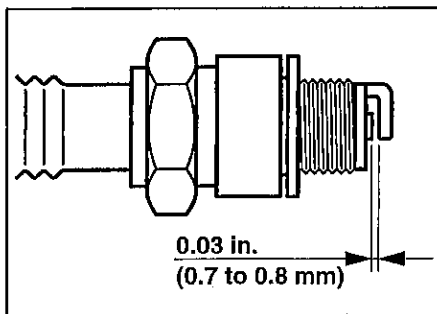
### ■ Paper element

Clean by tapping gently to remove dirt and blow off dust. Never use oil. Clean or replace the paper element every 50 hours of operation, and replace element set every 200 hours or once a year.



## CLEANING AND ADJUSTING SPARK PLUG

- (a) Unplug the high-voltage cables (located at the outlet panel and lead-acid battery).
- (b) Using the supplied plug wrench and handle, turn it counterclockwise until it comes off.
- (c) Clean the area around the mounting hole.
- (d) Clean the electrodes if they are dirty. Adjust the clearance to 0.03 in. (0.7-0.8 mm). Replace it with a new one if the abrasion has developed to the degree where a flat surface cannot be obtained on its projection. If the electrodes turn black, also inspect the air cleaner.
- (e) Attach and tighten the plug with the specified torque : 25 to 30 Nm (2.5 to 3.0 kg-m).
- (f) After checking that the contact area inside the plug cap is not corroded, connect the high-voltage cables.

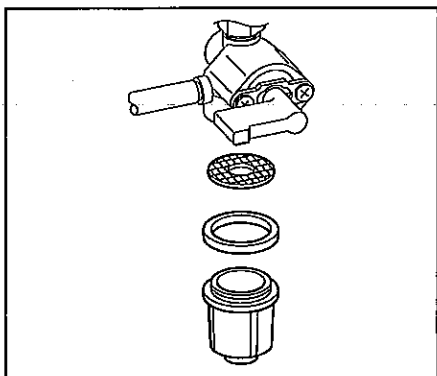


<b>Spark plug</b>
NGK BPR6ES (CHAMPION RN9YC)

## CLEANING FUEL STRAINER

Dirt and water in the fuel are removed by the fuel strainer.

- (a) Remove the strainer cup and throw away water and dirt.
- (b) Clean the screen and strainer cup with gasoline.
- (c) Tightly fasten the cup to main body, making sure to avoid fuel leak.



## CHECKING CARBON BRUSH

If the brush become excessively worn, its contact pressure with the slip ring changes and causes a roughened surface on the slip ring, resulting in irregular generator performance.

Check the brush every 500 hours or if generator performance is irregular.

If the brush is 0.2 in.(5 mm) long or less, replace it with a new one.

(a) **(RGV12100)**

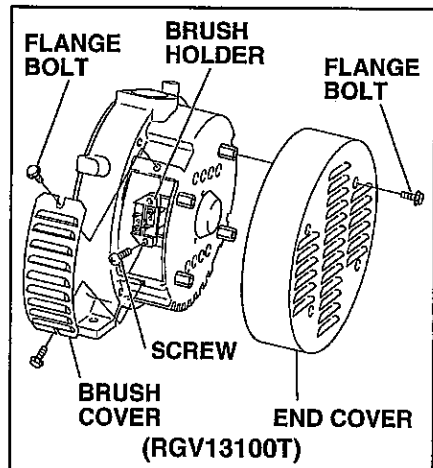
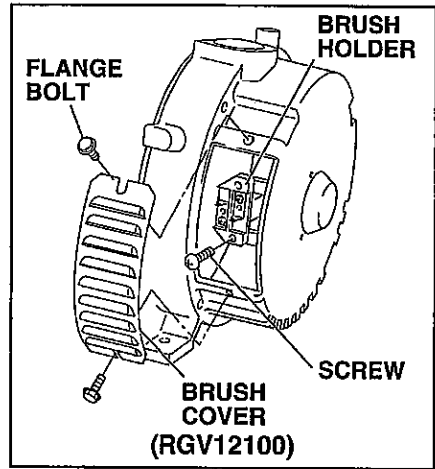
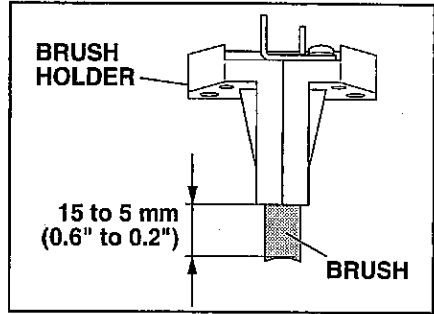
Remove the brush cover.

**(RGV13100T)**

Remove the end cover and brush cover.

(b) Disconnect the wire connector and remove the brush.

(c) Carefully note the brush direction and relative position with the slip ring when installing new brush.

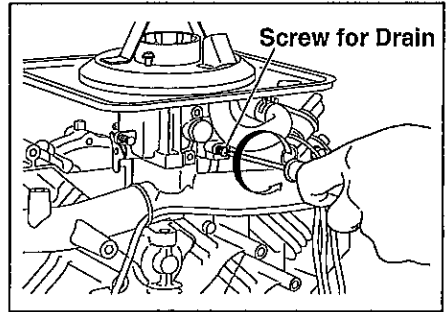


# 9. PREPARATION FOR STORAGE

---

The following procedures should be followed prior to storage of your generator for a period of 6 months or longer.

- Drain fuel from fuel tank and strainer (cup) carefully by disconnecting the fuel line. Gasoline left in the fuel tank will eventually deteriorate making engine-starting difficult.
- In order to remove the fuel in the carburetor, run the engine at no-load until it stops.
- Disconnect the terminal of the battery.
- Change engine oil.
- Check for loose bolts and screws, tighten them if necessary.
- Clean generator thoroughly with oiled cloth. Spray with preservative if available. **NEVER USE WATER TO CLEAN GENERATOR !**
- Store generator in a well ventilated, low humidity area.



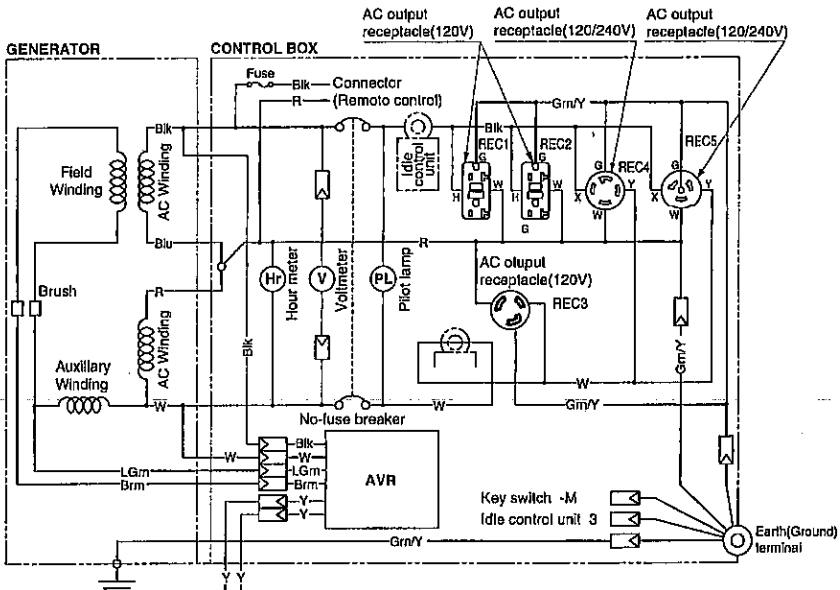
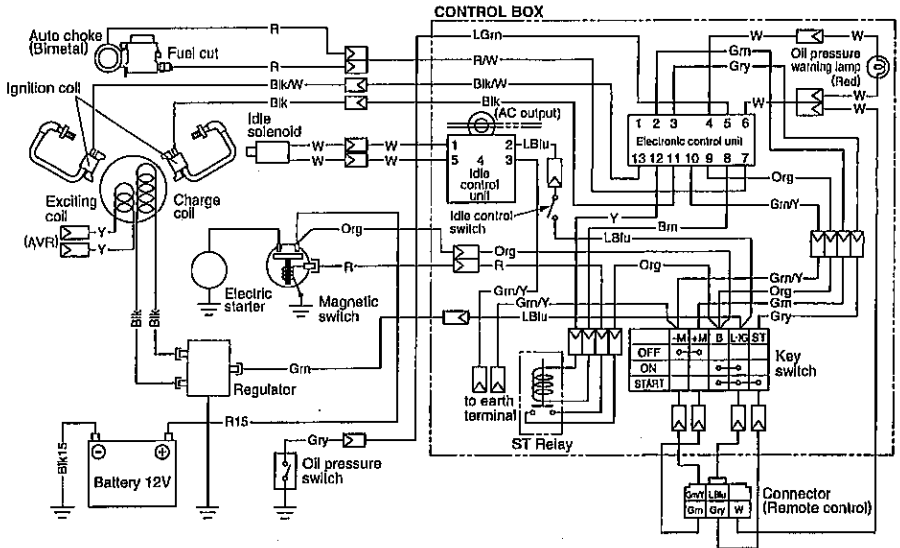
# 10. TROUBLESHOOTING

When generator engine fails to start after several attempts, or if no electricity is available at the output receptacles, check the possible causes in accordance with the following table. If your generator still fails to start or generate electricity, contact your nearest Robin dealer or authorized service center for further information or corrective procedures.

Problem		Possible causes													
		Low battery	Blown fuse	Deteriorated fuel		Fuel piping		Clogging of Air cleaner	Clogging of Cooling air intake	Low oil level	Faulty spark plug	Overload by connected appliance	Incorrect or poor connection of wires	Insufficient capacity of extension cable	Carbon brushes are excessively worn
Starter won't run		X	X												
Starter runs, but Engine won't start.				X	X	X				X	X				
During operation	Rotation decreased			X	X	X	X	X	X	X	X				
	Unstable rotation			X	X	X	X	X		X					
	Breaker turned off										X	X			
	Low power			X	X	X	X			X	X	X	X	X	X

# 11. WIRING DIAGRAM

(RGV12100)

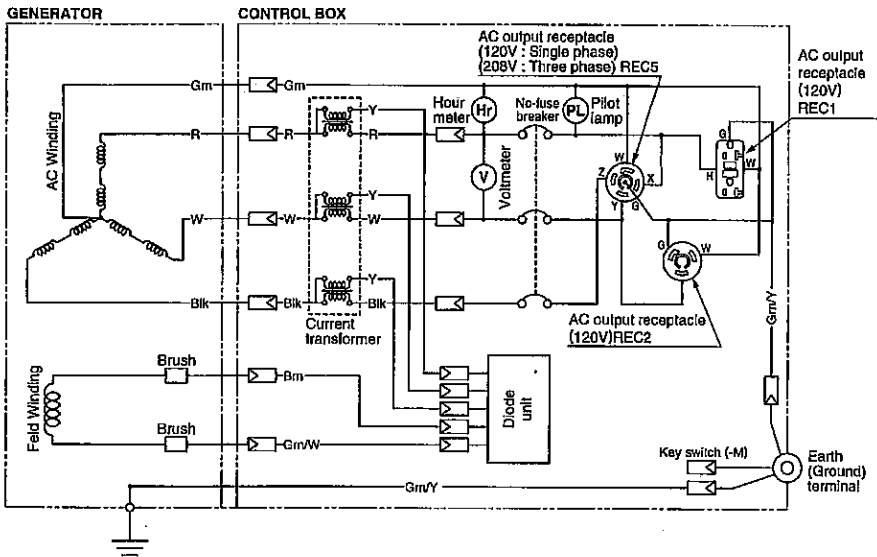
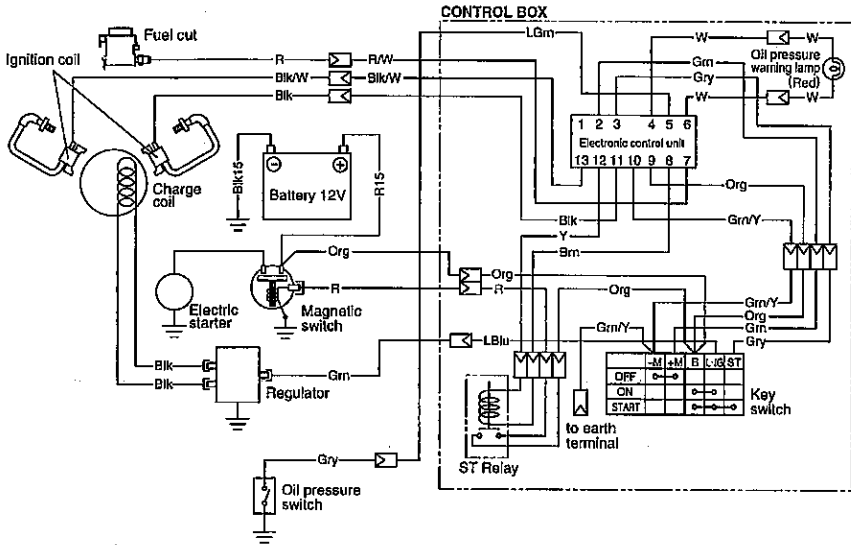


Exciting coil  
(Engine)

Wiring color cord

Blk	: Black	Brn/W	: Brown/White	R	: Red	Blk/R	: Black/Red
Blk/W	: Black/White	Grn	: Green	W	: White	R/W	: Red/White
Blu	: Blue	Grn/W	: Green/White	Y	: Yellow	LGm	: Light green
LBlu	: Light blue	Org	: Orange	Pk	: Pink		
Brn	: Brown	Gry	: Gray	Grn/Y	: Green/Yellow		

# (RGV13100T)



# 12. OPTIONAL PARTS

## "HOW-TO" INSTALL THE WHEEL

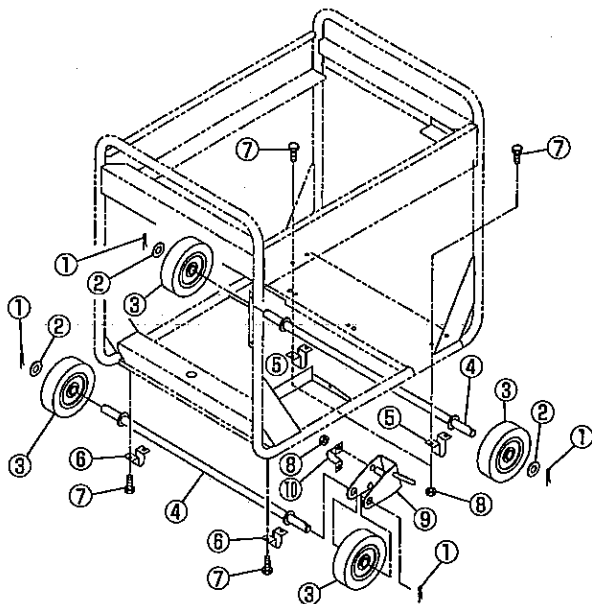
### (1) Checking of supplied accessories

### (2) Tool preparation

- Hoist or square bar (100mm by 100mm, length : 700mm)
- Plier
- Spanner or socket wrench (12mm), 2 units

### (3) Installation procedures

- (a) Raise the generator by about 100 mm, with hoist or with square bar put under the bottom panel.
  - (b) Attach wheel mounting parts ①, ②, stopper ⑨, using clamp ⑩, ⑧ and wheel ③, to wheel shaft ④.  
Then check that wheel ③ is rotated smoothly. If moving turns out to be too complicated, assemble them together using grease. (4 locations / 2 pieces)
  - (c) Bend the tip of ① according to the shape of wheel shaft ④ as possible.
  - (d) Attach the assembled shaft to the foundation plate of the engine, using ⑤, ⑦, and ⑧.
  - (e) Attach the other shaft to the foundation plate of the generating unit, using ⑥ and ⑦.  
(⑧ is not used.)
- The tightening torque of bolts should be 20 to 25 Nm (2.0 to 2.5 kg-m).



**ISSUE EMD-GU1433**

 **FUJI HEAVY INDUSTRIES LTD.**

**INDUSTRIAL PRODUCTS DIV.**

2nd, Subaru Bldg.

1-1, Miyahara-cho, Omiya-shi,

Saitama 330-0038, Japan

PHONE : (OMIYA 48) 653-5811

FACSIMILE : (OMIYA 48) 653-5691

**PRINTED IN JAPAN**  
April 2000 CE