

SLIM CUTTER



Ref.explod 91357

02-05

16/03/2015

Product. 18911

Part-list	A	ES	EN	DE	FR
1	18186	1	ETIQ.LOGO PARA REF:18911	LOGO LABEL REF:18911	ETIQ.LOGO PARA REF:18911
2	18912	1	RODEL Ø 22 MM GOLD RODAMIENTO (TP&SLIM)	SCORING WHEEL Ø 22 MM GOLD BEARING (TP&	RODEL Ø 22 MM GOLD RODAMIENTO (TP&SLIM)
3	18706	1	CJ.CHASIS CARRO SLIM CUTTER	CHASSIS HOLDER SET SLIM CUTTER	CJ.CHASIS CARRO SLIM CUTTER
4	18707	1	CJ.POMO SLIM CUTTER	KNOB SLIM CUTTER	CJ.POMO SLIM CUTTER
5	18708	1	CJ.RODAMIENTO EXCENTRICO SLIM CUTTER	ECCENTRIC BEARING SLIM CUTTER	CJ.RODAMIENTO EXCENTRICO SLIM CUTTER
6	18709	2	CJ.RODAMIENTO LATERAL SLIM CUTTER	LATERAL BEARING SLIM CUTTER	CJ.RODAMIENTO LATERAL SLIM CUTTER
7	18714	1	CJ.TORNILLO RULINA SLIM CUTTER	SCORING WHEEL SCREW SET SLIM CUTTER	CJ.TORNILLO RULINA SLIM CUTTER
8	57335	1	TUERCA DIN 6923 M8 8.8 ZN	NUT DIN 6923 M8 8.8 ZN	TUERCA DIN 6923 M8 8.8 ZN
18	18713	1	CJ.CABEZAL SLIM CUTTER	HEAD SET SLIM CUTTER	CJ.CABEZAL SLIM CUTTER

Part-list	B	ES	EN	DE	FR
9	18184	1	ETIQ.SLIM SYSTEM	LABEL SLIM SYSTEM	ETIQ.SLIM SYSTEM
10	18218	1	PERFIL SLIM CUTTER	PROFILE SLIM CUTTER	PROFILE SLIM CUTTER
11	18219	2	JUNTA TORICA Ø 2,5 BLANCA	O-RING Ø 2,5 WHITE	O-RING Ø 2,5 WHITE
12	18705	2	CJ.VENTOSA SLIM CUTTER	SUCTION PAD SET SLIM CUTTER	CJ.VENTOSA SLIM CUTTER
13	18913	2	SUPLEMENTO GUIA SLIM CUTTER 1100MM	SUPLEMENTO GUIDE SLIM CUTTER 1100MM	SUPLEMENTO GUIA SLIM CUTTER 1100MM
14	12278	2	CJ.POMO M6X15 ROJO	RED KNOB M6X15	CJ.POMO M6X15 ROJO
15	18215	2	TUERCA CARRIL T-M6 SLIM CUTTER	NUT RAIL T-M6 SLIM CUTTER	NUT RAIL T-M6 SLIM CUTTER

Part-list	C	ES	EN	DE	FR
16	18230	1	BOLSA DE TRANSPORTE SLIM CUTTER	CARRIER BAG SLIM CUTTER	CARRIER BAG SLIM CUTTER
17	18812	2	TENAZA SLIM SYSTEM	SLIM SYSTEM PLIERS SET	SLIM SYSTEM PLIERS SET

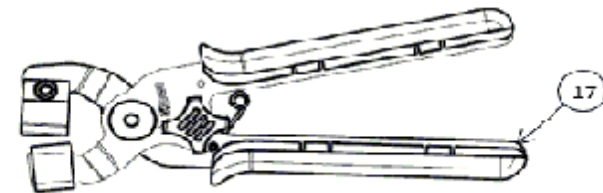
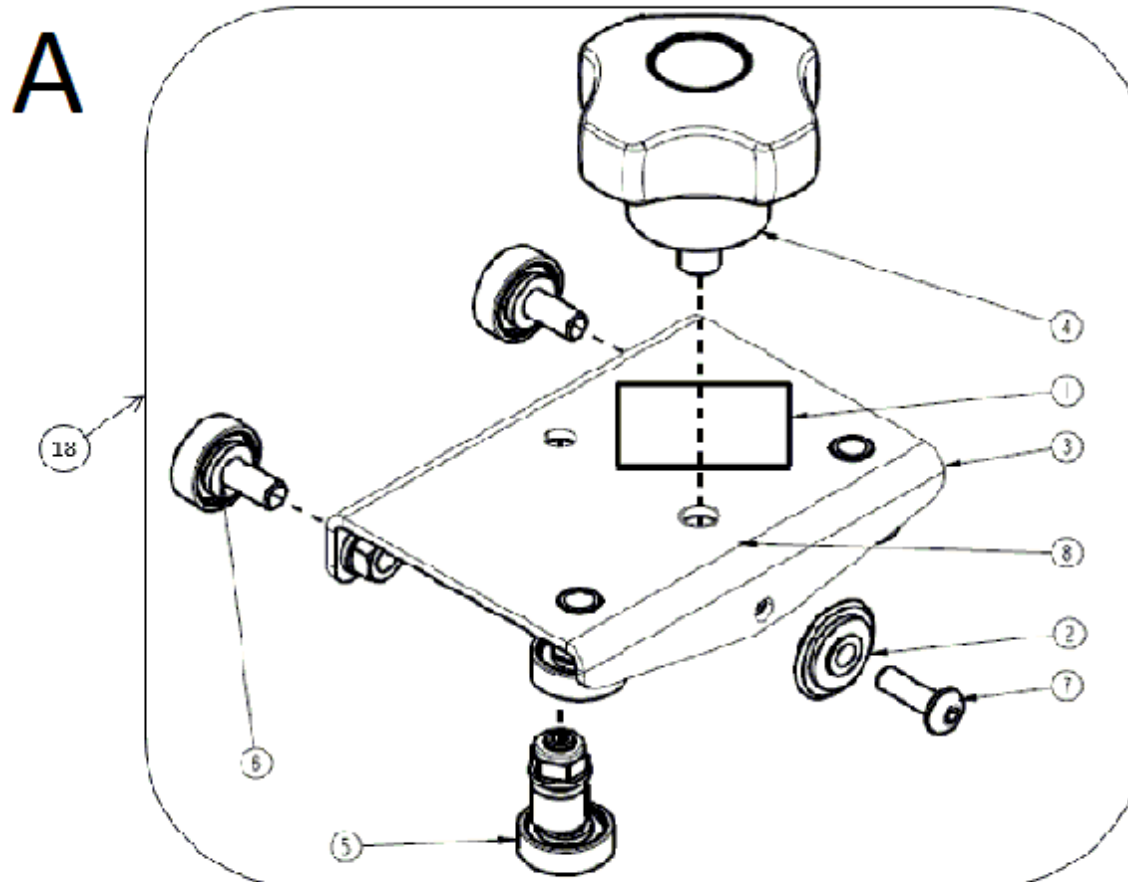
SLIM CUTTER

Ref.explod 91357

02-05

16/03/2015

Product. 18911



SLIM CUTTER

Ref.explod 91357

02-05

16/03/2015

Product. 18911

