



Duravent Portable Ventilation Machine Operations & Maintenance

V1000



www.Novatekco.com

© Copyright 2011 by NOVATEK Corporation

All rights reserved printed in the United States of America. No part of this manual may be used or reproduced in any form or by any means, stored in data base or retrieval system, without prior written permission from NOVATEK Corporation.

Making copies of this manual for any purpose other than your own personal use is a violation of the United States copyright laws.

January 1, 2011 issue 1.0

Specifications subject to changes without notice!

If you have any questions, please contact us:

NOVATEK CORPORATION

216 Philips Road

Exton, PA 19341

USA

www.novatekco.com

Toll Free 866 563-7800

Telephone: +1 610 363-7800

Fax +1 610 363-9620

Email: Sales@Novatekco.com

OPERATION AND MAINTENANCE MANUAL FOR

F1000-F1002-F1005

NOTICE

Novair series Air Filtration Machines are designed for removing airborne dust and contaminants.



WARNING



IMPORTANT SAFETY INFORMATION ENCLOSED.

READ AND UNDERSTAND THIS MANUAL BEFORE OPERATING THIS PRODUCT.

IT IS YOUR RESPONSIBILITY TO MAKE THIS SAFETY INFORMATION AVAILABLE TO OTHERS THAT WILL OPERATE THIS PRODUCT.

FAILURE TO OBSERVE THE FOLLOWING WARNING COULD RESULT IN INJURY.



PLACING MACHINE IN SERVICE

- Always install, operate, inspect and maintain this product in accordance with all applicable standards and regulations (local, state, country, federal, etc.).
- Always use proper gauge cord with correct connections.
- Be sure all cords are securely connected to the recessed male plug.
- Ensure an accessible emergency shutoff when your machine is connected to power. Make others aware of its location.
- Do not use damaged, frayed, or deteriorated electrical cords or connections.
- Do not leave machines in operation unattended for over 4 hours without inspection.
- Keep all electrical connections clear of water or other liquid hazards.
- Always turn off and unplug your machine before performing any maintenance.
- Do not operate the machine while flammable or volatile liquids such as gasoline, diesel or jet fuel are present. Failure to do so can result in explosion.
- Keep work area clean, uncluttered and illuminated.
- Do not remove any labels. Replace any damaged labels.

USING THE MACHINE

- Always wear protection when operating or performing maintenance.
- Always use Personal Protective Equipment appropriate to the work being performed. This may include dust mask or other breathing apparatus, safety glasses, ear plugs, gloves, apron, safety shoes, hard hat and other equipment.
- If applicable, prevent exposure and breathing of harmful dust and particles:
 - Some dust created by power sanding, sawing, and grinding, drilling, and other construction activities contains chemicals known to cause cancer, birth defects or other reproductive harm. Some examples of these chemicals are:
 - Lead from lead based paints,
 - Crystalline silica from bricks and cement and other masonry products, and
 - Arsenic and chromium from chemically treated lumber
 - Your risk from these exposures varies, depending on how often you do this type of work.
- Keep others a safe distance from your work area, or ensure they use appropriate Personal Protective Equipment.
- This machine is not designed for working in explosive environments, including those caused by fumes and dust, or near flammable materials.
- This machine is not insulated against electric shock.
- Keep hands, loose clothing, long hair and jewelry away from the machines blower assembly and "Air Intake."
- To avoid accidental starting – ensure machine in "off" position before connecting to power.
- Do not carry or drag the machine by the cord.
- Do not operate or maintain the machine under the influence of medication, drugs, or alcohol.
- Never use a damaged or malfunctioning machines,
- Do not modify the machine, safety devices, or accessories.
- Do not use this machine for purposed other than those recommended.
- Only use accessories recommended by Novatek Corp.
- Whenever applicable, wear safety shoes, hard hat, safety goggles, gloves, dust mask and any other appropriate protective clothing in the work area.
- Do no indulge in horseplay. Distraction can cause accidents.
- Use only proper cleaning solvents to clean parts. Use only cleaning solvents which meet current safety and health standards. Use cleaning solvents in a well ventilated area.
- Do clean machine any parts with diesel fuel or any other petroleum distillates.
- Do not operate the tool with broken or damaged parts.
- This tool is not designed for working in explosive atmospheres.

TABLE OF CONTENTS

SECTION I

GENERAL.....	6
DESCRIPTION	6

SECTION II

PRIOR TO USE	6
START-UP.....	6

SECTION III

SAFETY WORK.....	6
TROUBLESHOOTING	7
ROUTINE MAINTENANCE	7

SECTION V

PARTS BREAKDOWN.....	8
NOVATEK WARRANTY	9

SECTION I

GENERAL

This operation and maintenance manual is furnished with each Duravent unit. It outlines general equipment use and the operation and maintenance requirements for efficient and safe operation.

READ ALL INSTRUCTIONS AND DATA IN THIS OPERATION AND MAINTENANCE MANUAL PRIOR TO OPERATION OF THIS EQUIPMENT.

These instructions are for your protection and convenience. Please read them carefully since failure to follow the precautions could result in injury. Whenever using electric powered equipment, basic safety precautions should be followed.

If after reading this manual anything seems unclear, contact a **NOVATEK** authorized distributor or **NOVATEK** directly by dialing 1-866-563-7800.

DESCRIPTION

The Duravent is a portable Electric Ventilation/Blower Unit manufactured by **Novatek** Corporation.

This unit has a variety of uses including removal of non-hazardous dirt or dust, drying carpet or damp areas, adding needed ventilation to enclosed areas. Coverts air flow from intake to exhaust in mere seconds.

The Duravent requires a 110/115v-60Hz, single-phase power source.

WARNING Do not start the unit if you see signs of damage to the fan blades, guards, housing, motor or cord. If the unit shows any of these signs, further damage or injury may occur. Do not use circuits exceeding specified voltage. Higher voltage will damage controls and could cause shock or fire hazard. Do not use in explosive environments.

SECTION II

PRIOR TO USE

1. Remove excess dirt or dust from the exterior housing, cord plug and switch.
2. Be sure the unit is sitting on a flat stable surface.
3. Be sure the unit is connected to a grounded 110/115 volt outlet.
4. Be sure intake and exhaust ports are free from dirt and debris.

START-UP

1. The Duravent should be positioned at the center of the room away from worker's access openings.
2. Connect intake side or exhaust side to hose canister if flex ducting is required.
3. Turn unit on and check for consistent airflow.
4. Turn off unit if excessive noise or vibration occurs. Check rubber feet or fan blade for damage. Replace any missing or damaged parts at this time.

SECTION III

SAFETY AT WORK

The Novatek Corporation Duravent is a highly efficient system designed to help eliminate any air borne particulates. In order to properly operate these units effectively and safely, the following safety precautions should be strictly adhered to:

- Do not leave unit unattended when connected to the power source. Turn OFF electric supply and disconnect from power supply every time the unit is not being used and or before service.
- Do not operate with damaged and or malfunctioning parts. If the unit is not working as specified in this manual make sure to repair damaged parts or return to an authorized repair service center.
- Keep loose clothing and all body parts away from fan blades when in operation.

- Keep outer surfaces free from buildup of excess dirt and or debris. Prior to start-up, clean all outer surfaces and controls.
- Turn off power before servicing unit.
- Do not operate around flammable or combustible liquids and or gasses.
- Electric shock may occur if operated in wet conditions.
- Never operate the unit in a manner where there is a possibility of physical contact with the fan while in operation.
- It shall be the owner's responsibility to ensure that the equipment is maintained in a safe operating condition.

TROUBLESHOOTING

The Duravent comes equipped with a thermally protected motor for maximum fan life and safety. This unit has several features for your safety and convenience. Here are some troubleshooting and maintenance tips:

If the unit is plugged in and turned on but the fan will not operate:

- Check the power cord and on/off switch for damage. If damaged, replace.

If unit still will not operate:

- Check circuit breakers in the electrical supply panel to make sure the breaker is active.

If at this point, the unit still will not operate:

- Un plug the unit, remove bottom switch panel to verify that all wires are connected. If any lines are off, reconnect them.

NOTE: If after following these procedures power is not restored contact a Novatek factory technician.

ROUTINE MAINTENACNE

Prior to use, inspect the unit for any loose or damaged parts every time.

CAUTION: Make sure power supply is turned off prior to inspection!

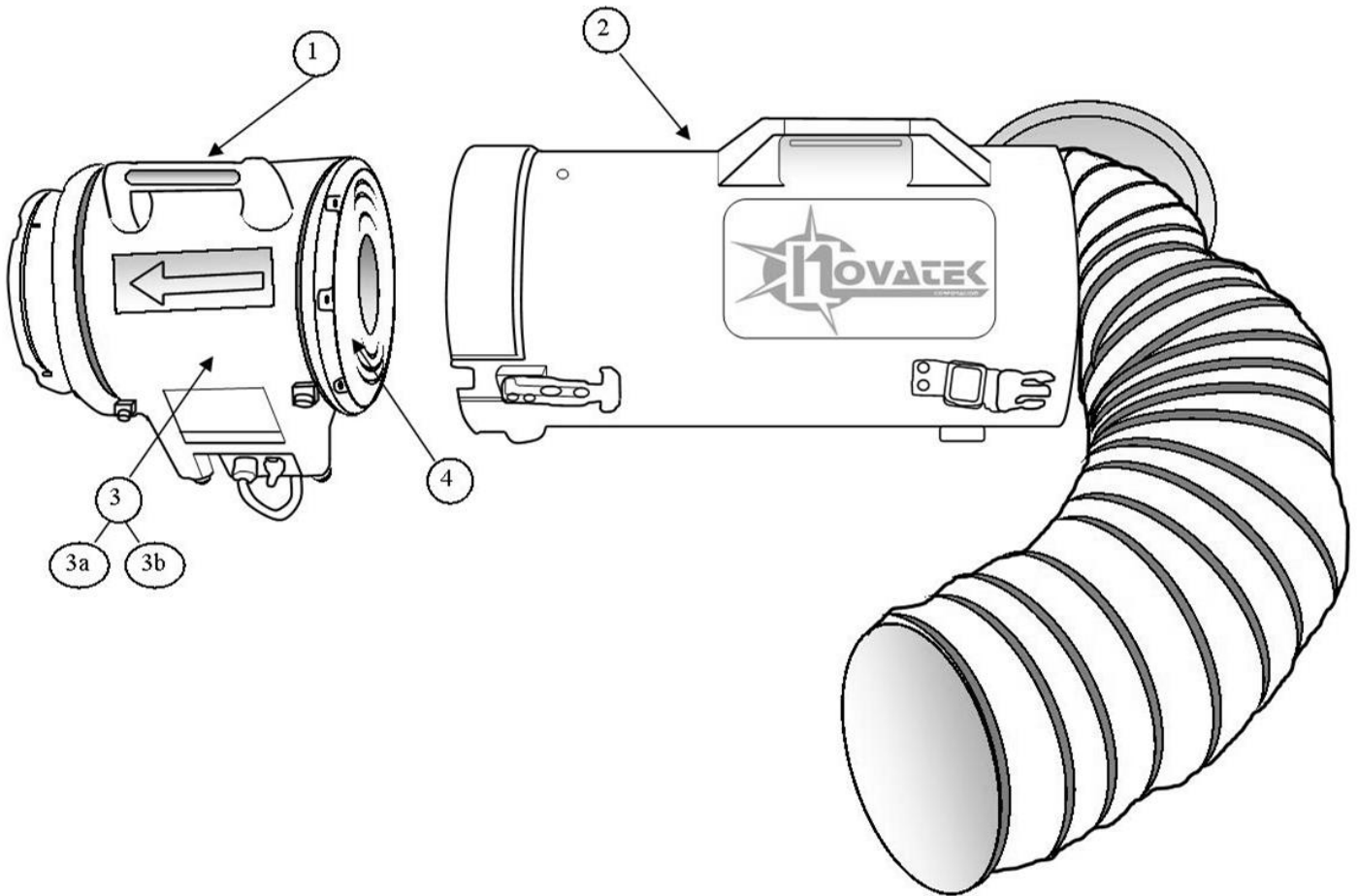
1. Wipe outside surfaces of unit to remove accumulated dust or dirt. Clean out dust and dirt from cord plug and switch.
2. Inspect power cord and connection to Duravent. Make sure plug and wiring are in good condition. If power cord or plug is damaged, electrical shock or shortage may occur.

CAUTION: Do not tamper with the housing or wiring of the unit. Tampering could result in faulty unit operation and void the factory warranty.

SECTION V

PARTS BREAKDOWN

<u>Ref.</u>	<u>Part No.</u>	<u>Description</u>
1	V1010	DURAVENT BLOWER ASSEMBLY
2	V1020	DURAVENT DUCT ASSEMBLY 25'
3	V2001	FAN & MOTOR ASSEMBLY
3a	V2002	MOTOR
3b	V2003	FAN BLADE
4	V2004	FAN BLADE METAL GUARD



NOVATEK CORPORATION LIMITED WARRANTY

The **TOOLS** manufactured/distributed by **Novatek Corporation** are warranted to be free from defects in material and workmanship for a period of **ONE YEAR** with the exception of Electric Drive Units, Electric Motors and Air Blowers - **6 months warranty applies on the electric components** from the date of purchase. This warranty does not apply to accessories or parts subject to normal wear.

This warranty applies only to **TOOLS** purchased new from **NOVATEK CORPORATION** or an authorized distributor. This warranty does not apply to any **TOOL** which has been abused, misused, modified or repaired by someone other than **NOVATEK CORPORATION** or its authorized repair center.

If a **TOOL** proves defective in material or workmanship within one year of purchase from **NOVATEK CORPORATION**, it should be returned to **NOVATEK CORPORATION**, transportation pre-paid. The return must be authorized by a **RETURN MERCHANDISE AUTHORIZATION NUMBER (R.M.A. #)** obtained from **NOVATEK CORPORATION** prior to returning the **UNIT**. All packages must show clearly on the outside the return merchandise authorization number. All packages received without any R.M.A. # on the outside will be refused by **NOVATEK CORPORATION** receiving department.

Warranty claims will only be considered upon adequate proof of date of purchase. **NOVATEK CORPORATION** will, at its option, **REPAIR or REPLACE DEFECTIVE PARTS**. Repairs or replacements are warranted as above for the remainder of the original warranty period. The sole liability of **NOVATEK CORPORATION** and the user's exclusive remedy under this warranty is limited to the repair or replacement of the defective product.

THERE ARE NO OTHER WARRANTIES EXPRESSED OR IMPLIED AND **NOVATEK CORPORATION** SHALL NOT BE LIABLE FOR INCIDENTAL, CONSEQUENTIAL OR SPECIAL DAMAGES OR ANY OTHER EXPENSES OR REPAIR OR REPLACEMENT AS DESCRIBED ABOVE.

All warranty claims should be forwarded to:

NOVATEK CORPORATION
216 Philips Road
Exton, PA 19341

ATTENTION: CLAIM AND SERVICE DEPARTMENT
R.M.A. # _____

CALL Toll Free at 1-866-563-7800 for your RMA number prior to shipping.

Also include a brief description of the problem as well as a phone number, contact name and return address in case **NOVATEK CORPORATION** service personnel has to get in contact with you.