

# VIBRATORY PLATES



SOLUTIONS THAT LAST



## HARDEST HITTING, LONGEST LASTING

MBW's advancements in vibratory plates have revolutionized the field over the past 40 years. MBW designs have doubled productivity, dramatically reduced maintenance and extended product life. The competition has been in continual catch-up mode. Today, MBW offers the industry's broadest range of high production, single direction plates. Performance and life expectations of MBW plates continue to define the state-of-the-art.



- Unsurpassed exciter quality including extra heavy duty housings, precision ground ductile eccentric shafts, oversized application matched bearings, oil mist lubrication system and custom lubricants to withstand high operating temperatures.
- Stress relieved steel tamping plates are crack resistant and provide years of useful service.
- Application matched quality shock mounts and double isolated guide handles.
- Most importantly, each model offers a unique combination of frequency, centrifugal force, amplitude, and mass to provide the best possible results in terms of productivity and product life.

## GPX SERIES

This series of economical vibratory plates, the GP12, GP15 & GP18, are portable, and offer outstanding compaction performance. A patent-pending suspension system that places shock mounts in a predominantly shear mode at the high amplitude front end of the plate and a predominantly compressive mode at the low amplitude trailing end of the plate. This system reduces hand arm vibration and also better isolates all upper mass components, including the engine, from vibrations produced by the machine's exciter. With amplitudes up to .058 inches, centrifugal force up to 2100 lbf and travel speed to 75 feet per minute these plates are ideal in confined areas of granular soils including sands, bank run, gravels and capable of achieving lift depths of up to 10 inches (25 cm).

These lightweight plates weighing 129 lbs (59 kg) to 143 lbs (65 kg) are easy to lift and maneuver about the jobsite. Accompanied by intense vibration this series of plates are ideally suited as an economical alternative for small to medium soil compaction applications.

- GP12, GP15 and GP18 available with Honda, Subaru Robin or Briggs engines
- One piece exciter with self cleaning open base plate design

- Optional lift cage and transport wheel kit available
- Optional neoprene paving pad for placing interlocking paving stone/brick/block

US & International Patents



SPECS	GP12	GP15	GP18
Engine	Honda GX120 (118 cm <sup>3</sup> )	Honda GX120 (118 cm <sup>3</sup> )	Honda GX120 (118 cm <sup>3</sup> )
Operating Wt.	129 lb (59 kg)	138 lb (63 kg)	143 lb (65 kg)
Plate Size WxL	13 x 22.5 in (33 x 57 cm)	16 x 22.5 in (40 x 57 cm)	18 x 22.5 in (45 x 57 cm)
Amplitude	.058 in (1.47 mm)	.054 in (1.37 mm)	.053 in (1.35 mm)
Centrifugal Force**	1920 lbs (8.5 kN)	2000 lbs (8.9 kN)	2100 lbs (9.3 kN)
Exciter Speed	5240 vpm	5350 vpm	5470 vpm
Compaction Depth*	Up to 10 in (25 cm)	Up to 10 in (25 cm)	Up to 10 in (25 cm)
Travel Speed	up to 75 ft/min (23 m/min)	up to 75 ft/min (23 m/min)	up to 75 ft/min (23 m/min)
Compaction Area	4875 sqft/h (453 sqm/h)	6000 sqft/h (557 sqm/h)	6750 sqft/h (627 sqm/h)

\* Clean sand, optimum moisture. MBW recommends that lifts not exceed 12".

\*\* Centrifugal Force is not a measure of compaction performance.

( ) Metric Measurements. Specifications subject to change without notice.

## AP2000 SERIES

MBW's AP2000 Series is the only vibratory plate compactor specifically designed for asphalt applications. Frequency, amplitude, centrifugal force and mass are all established at optimal levels for maximum productivity on asphalt.

Further, the mechanical construction of the AP2000 is specific to this very demanding application. Stress relieved steel plate housings are crack resistant and provide long wear. Aluminum exciter housing dissipates heat rapidly and custom lubricants preserve bearing and seal integrity. The self cleaning plate prevents dirt build-up.

The GP2000 is a permutation of the AP2000 where frequency, amplitude, centrifugal force and mass are adjusted to provide optimal productivity in the compaction of sands and gravel. The GP2000 is capable of achieving excellent densities on lifts of granular soils up to 12" (30 cm)\*\*\*.



- Both units available with either Honda, Subaru Robin or Briggs engines
- Optional neoprene paving pad accessory for interlocking paving blocks
- Optional transport cart available

SPECS	AP2000H	GP2000H	AP2000R™	GP2000R™	AP2000B	GP2000B
Engine	Honda GX160 (163 cm³)	Honda GX160 (163 cm³)	Robin EX13 (126 cm³)	Robin EX13 (126 cm³)	Briggs 550 (127 cm³)	Briggs 550 (127 cm³)
Operating Weight	AP2000H No Water 168 lb (76 kg) AP2000H Full Water 193 lb (88 kg)	165 lb (75 kg)	AP2000R No Water 168 lb (76 kg) AP2000R Full Water 193 lb (88 kg)	165 lb (75 kg)	AP2000B No Water 164 lb (74 kg) AP2000B Full Water 189 lb (86 kg)	161 lb (73 kg)
Plate Size WxL	20 x 22 in (51x56 cm)	20 x 22 in (51x56 cm)	20 x 22 in (51x56 cm)	20 x 22 in (51x56 cm)	20 x 22 in (51x56 cm)	20 x 22 in (51x56 cm)
Amplitude	.082 in No Water (2.08 mm)	.083 in (2.11 mm)	.082 in No Water (2.08 mm)	.083 in (2.11 mm)	.083 in No Water (2.11 mm)	.083 in (2.11 mm)
Centrifugal Force**	2475 lbs (11 kN)	3250 lbs (14.5 kN)	2475 lbs (11 kN)	3250 lbs (14.5 kN)	2475 lbs (11 kN)	3250 lbs (14.5 kN)
Exciter Speed	4400 vpm	5050 vpm	4400 vpm	5050 vpm	4400 vpm	5050 vpm
Compaction Depth*	Up to 12 in (31 cm)	Up to 12 in (31 cm)	Up to 12 in (31 cm)	Up to 12 in (31 cm)	Up to 12 in (31 cm)	Up to 12 in (31 cm)
Travel Speed	up to 90 ft/min (27.4 m/min)	up to 120 ft/min (36.6 m/min)	up to 90 ft/min (27.4 m/min)	up to 120 ft/min (36.6 m/min)	up to 90 ft/min (27.4 m/min)	up to 120 ft/min (36.6 m/min)
Compaction Area	8550 sqft/h (794 sqm/h)	10800 sqft/h (1000 sqm/h)	8550 sqft/h (794 sqm/h)	10800 sqft/h (1000 sqm/h)	8550 sqft/h (794 sqm/h)	10800 sqft/h (1000 sqm/h)

\* Clean sand, optimum moisture. MBW recommends that lifts not exceed 12".

\*\* Centrifugal Force is not a measure of compaction performance.

\*\*\* Also available is the AP2000R6 or GP2000R6 with a Robin EX17 engine.

( ) Metric Measurements. Specifications subject to change without notice.

## 3550 & 3000-15 SERIES

### 3550 SERIES

The GP3550 is a premium, high production compactor with life expectancy that runs to decades with reasonable maintenance. The deck features a full roll cage as standard equipment with provisions for a water tank for asphalt compaction on AP3550. The base plate is self-cleaning with an open sided plate design that allows material to flow out and away from the belt/pulley assembly during operation. Both models provide reduced hand/arm vibration, full roll cage protection, enhanced amplitude, faster travel speed and updated yet rugged appearance.



### 3000-15 SERIES

The GP3000-15 is ideal for confined work areas, such as sidewalk, curb and gutter, and narrow trenches. This specialty plate is not a lightweight compactor. Its operating weight is over 200 lbs. (91 kg) and produces 3,550 lbs. (15.8 kN) of centrifugal force, compaction depths up to 16 in. (41 cm)\*\*\*, and a travel speed of 120 ft./min (36.6 m/min).



SPECS	GP3550H AP3550H	GP3550R*** AP3550R***	GP300015H	GP300015R
Engine	Honda GX160 (163 cm³)	Subaru Robin EX13 (126 cm³)	Honda GX160 (163 cm³)	Subaru Robin EX13 (126 cm³)
Operating Weight	GP3550H 226 lb (103 kg) AP3550H-No Water 229 lb (104 kg) AP3550H-Full Water 254 lb (115 kg)	GP3550R 226 lb (103 kg) AP3550R-No Water 229 lb (104 kg) AP3550R-Full Water 254 lb (115 kg)	202 lb (92 kg)	204 lb (93 kg)
Plate Size WxL	21x22 in (53x56 cm)	21x22 in (53x56 cm)	16x20 in (41x51 cm)	16x20 in (41x51 cm)
Amplitude	.087 in (1.50 mm) .086 in (1.50 mm)	.087 in (1.50 mm) .086 in (1.50 mm)	.098 in (2.49 mm)	.097 in (2.46 mm)
Centrifugal Force**	3550 lbs (15.8 kN)	3550 lbs (15.8 kN)	3550 lbs (15.8 kN)	3550 lbs (15.8 kN)
Exciter Speed	4400 vpm	4400 vpm	4400 vpm	4400 vpm
Compaction Depth*	Up to 18 in (46 cm)	Up to 18 in (46 cm)	Up to 16 in (41 cm)	Up to 16 in (41 cm)
Travel Speed	up to 110 ft/min (34 m/min)	up to 110 ft/min (34 m/min)	up to 120 ft/min (36.6 m/min)	up to 120 ft/min (36.6 m/min)
Compaction Area	11000 sqft/h (1022 sqm/h)	11000 sqft/h (1022 sqm/h)	9600 sqft/h (890 sqm/h)	9600 sqft/h (890 sqm/h)

\* Clean sand, optimum moisture. MBW recommends that lifts not exceed 12".

\*\* Centrifugal Force is not a measure of compaction performance.

\*\*\* Also available is the GP3550R6 or AP3550R6 with a Robin EX17 engine.

( ) Metric Measurements. Specifications subject to change without notice.



## GP5800 / GP7000 SERIES

### GP5800 SERIES

The **GP5800** is an upgrade of model GP5500. GP5800 maintains its predecessor's outstanding performance characteristics while improving the design in terms of ergonomics, ease of service and product life expectations. Among these are a removable, easily serviced exciter assembly, superior suspension for improved engine isolation and lower hand/arm vibration and standard protective cage surrounding engine. This high production compactor travels up to 130 ft/min, generates .101 inch amplitude for deep penetration of backfill materials and is unmatched on mid-sized to large commercial and infrastructure applications.



### GP7000 SERIES

The **GP7000 Series** is MBW's heavy hitter for jobs with difficult soils and deep lifts of up to 30 in. (76 cm)\*. Weighing 653 lbs. (296 kg) with low frequency and high amplitude, this hard working vibratory plate outperforms walk-behind rollers on most granular applications. The GP7000 is easy to maneuver and features a central lifting bail for easy lift and transport.



SPECS	GP5800H	GP5800R	GP7000H
Engine	Honda GX270 (270 cm <sup>3</sup> )	Subaru Robin EX27 (265 cm <sup>3</sup> )	Honda GX390 (389 cm <sup>3</sup> )
Operating Weight	288 lb (131 kg)	279 lb (127 kg)	653 lb (296 kg)
Plate Size WxL	23 x 24 in (58 x 61 cm)	23 x 24 in (58 x 61 cm)	26 x 30 in (66 x 76 cm)
Amplitude	.094 in (2.39 mm)	.097 in (2.46 mm)	.166 in (4.22 mm)
Centrifugal Force**	5800 lbs (25.8 kN)	5800 lbs (25.8 kN)	7900 lbs (35.1 kN)
Exciter Speed	4800 vpm	4800 vpm	2800 vpm
Compaction Depth*	Up to 20 in (51 cm)	Up to 20 in (51 cm)	Up to 30 in (76 cm)
Travel Speed	Up to 130 ft/min (39.6 m/min)	Up to 130 ft/min (39.6 m/min)	Up to 100 ft/min (30.5 m/min)
Compaction Area	14950 sqft/h (1450 sqm/h)	14950 sqft/h (1450 sqm/h)	13000 sqft/h (1210 sqm/h)

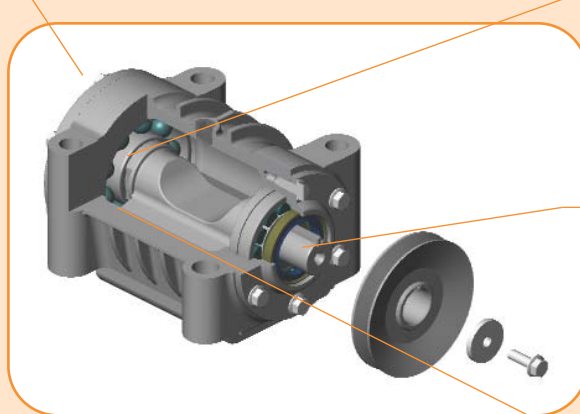
\* Clean sand, optimum moisture. MBW recommends that lifts not exceed 12".

\*\* Centrifugal Force is not a measure of compaction performance.

( ) Metric Measurements. Specifications subject to change without notice.

#### The Heart and Soul

of our machines are their rugged, hard hitting exciters. Our exciters include an extra **heavy duty housing** with maximum surface area for heat dissipation and strength, and **ductile eccentric shafts** that are precision ground to preserve bearing tolerances. The **bearings are carefully matched** in design, tolerance and type for high temperature vibratory applications and **custom lubricants** with elevated flash points are used. Nowhere in the world will you find a stronger or more dependable driving force behind a vibratory plate.



#### Heaviest Bearings

in the industry to maintain performance and minimize down time

#### Precision Machined Shaft

to maintain critical bearing tolerances

#### Custom Lubricants

for high temperature applications

## GPR65, GPR68, GPR77 MECHANICAL SHIFTING REVERSIBLES

The GPR 65, 68 and 77 Series are compact reversible plates ideal for narrow trenches and confined areas.

### HEAVY DUTY SHIFTING

The heavy duty mechanical shifting mechanism allows for directional changes at full speed. Endurance testing was terminated at 400,000 shifts without system failure – the best result MBW (and very likely any manufacturer) has ever achieved on a reversible plate shifting design.



### GPR77

The GPR77 is a 400 pound reversible plate. The simple yet reliable shifting design lowers acquisition cost, is low maintenance and provides a geotechnical benefit in its ability to shift travel direction at constant speed. The GPR77 produces an amplitude of .066 inches, travels up to 86 ft/min and handles all types of essentially granular soils.



The GPR65 and GPR68 are also high production plates. Travel speeds to 92 ft/min are achieved with good compaction conditions and the plates move with ease over irregular lift surfaces. Head-to-head competitive demonstration quickly establishes the comparative benefits of the GPR65 and GPR68.



SPECS	GPR65	GPR68	GPR77H	GPR77D
Engine	Honda GX160 (163 cm <sup>3</sup> )	Honda GX160 (163 cm <sup>3</sup> )	Honda GX270 (270 cm <sup>3</sup> )	Hatz 1B20
Operating Weight	325 lb (148 kg)	330 lb (150 kg)	397 lb (180 kg)	399 lb (181 kg)
Plate Size WxL	15 x 26 in (38 x 66 cm)	18 x 26 in (46 x 66 cm)	22 x 26 in (56 x 66 cm)	22 x 26 in (56 x 66 cm)
Amplitude	.072 in (1.83 mm)	.071 in (1.80 mm)	.066 in (1.68 mm)	.066 in (1.68 mm)
Centrifugal Force**	6000 lbs (27 kN)	6000 lbs (27 kN)	7775 lbs (35 kN)	7775 lbs (35 kN)
Exciter Speed	4400 vpm	4400 vpm	4725 vpm	4725 vpm
Compaction Depth*	Up to 22 in (56 cm)	Up to 22 in (56 cm)	Up to 22 in (56 cm)	Up to 22 in (56 cm)
Travel Speed	Up to 92 ft/min (28 m/min)	Up to 88 ft/min (27 m/min)	Up to 86 ft/min (26 m/min)	Up to 86 ft/min (26 m/min)
Compaction Area	6900 sqft/h (640 sqm/h)	7920 sqft/h (736 sqm/h)	9460 sqft/h (879 sqm/h)	9460 sqft/h (879 sqm/h)

\* Clean sand, optimum moisture. MBW recommends that lifts not exceed 12".

\*\* Centrifugal Force is not a measure of compaction performance.

() Metric Measurements. Specifications subject to change without notice.

## GPR78, GPR99, GPR135 & GPR160 HYDRAULIC REVERSIBLE PLATES

MBW's hydraulic shifting reversible plates solve maintenance problems that have long plagued this product type. MBW exciter systems are vented to prevent damage to shifting seals. Worn shifting seals are readily serviced from the outside of the exciter assembly (patented), eliminating the complicated process of opening and exposing the exciter assembly for service purposes. Maintenance is simplified, service time is reduced dramatically.

All MBW hydraulic reversibles are easy to maneuver, featuring forward and reverse travel, as well as spot compaction. Powered by either Honda gas engines or Hatz diesels, these reversibles have plenty of power to tackle the toughest compaction applications.

MBW advises users to carefully consider which type of compactor best fits the job. If there is sufficient room to maneuver a single direction plate, productivity, cost and maintenance favor the single direction unit. But where maneuverability is key, reversible plates are the answer.

US & International Patents

- Forward or reverse, infinitely variable travel plus spot compaction
- Lower maintenance hydraulic shifting mechanism
- Optional extension plates for variable plate widths
- Gas and diesel engine options
- Lifting bails for ease in handling
- Higher amplitudes than competitive models, increased travel speed and climbing ability
- Full roll cage protection
- Simple, convenient, safe controls at operator's position



SPECS	GPR78H	GPR78D	GPR99H	GPR135H	GPR135DE	GPR160DE
Engine	Honda GX270 (270 cm <sup>3</sup> )	Hatz 1B30	Honda GX390 (389 cm <sup>3</sup> )	Honda GX390 (389 cm <sup>3</sup> )	Hatz 1B40	Hatz 1B40
Fuel	Gas	Diesel	Gas	Gas	Diesel	Diesel
Operating Weight	522 lb (237 kg)	567 lb (257 kg)	775 lb (352 kg)	792 lb (359 kg)	854 lb (387 kg)	950 lb (431 kg)
	No Wings 562 lb (255 kg) 3" Wings	No Wings 607 lb (275 kg) 3" Wings	No Wings 828 lb (376 kg) 3" Wings	No Wings 830 lb (376 kg) 3" Wings	No Wings 904 lb (410 kg) 3" Wings	3" Wings Standard 983 lb (446 kg) 6" Wings
Plate Size WxL	17.7 x 32.3 in (45 x 82 cm)	17.7 x 32.3 in (45 x 82 cm)	19.7 x 37.3 in (50 x 95 cm)	19.7 x 37.3 in (50 x 95 cm)	19.7 x 37.3 in (50 x 95 cm)	25.6 x 37.3 in (65 x 95 cm)
Amplitude Range Spot-Travel	.098 - .068 in (2.49 - 1.73 mm)	.090 - .063 in (2.29 - 1.60 mm)	.087 - .061 in (2.21 - 1.55 mm)	.117 - .082 in (2.97 - 2.08 mm)	.105 - .074 in (2.67 - 1.88 mm)	.123 - .086 in (3.12 - 2.18 mm)
Centrifugal Force**	7875 lbs (35 kN)	7875 lbs (35 kN)	9900 lbs (44 kN)	13500 lbs (60 kN)	13500 lbs (60 kN)	16000 lbs (71 kN)
Exciter Speed	4080 rpm	4080 rpm	3840 rpm	3840 rpm	3840 rpm	3840 rpm
Compaction Depth*	Up to 22 in (56 cm)	Up to 22 in (56 cm)	Up to 28 in (71 cm)	Up to 28 in (71 cm)	Up to 28 in (71 cm)	Up to 28 in (71 cm)
Travel Speed	Up to 82 ft/min (25 m/min)	Up to 82 ft/min (25 m/min)	Up to 80 ft/min (24 m/min)	Up to 78 ft/min (24 m/min)	Up to 76 ft/min (23 m/min)	Up to 80 ft/min (24 m/min)
Compaction Area	7260 ft <sup>2</sup> /hr (675 m <sup>2</sup> /hr)	7260 ft <sup>2</sup> /hr (675 m <sup>2</sup> /hr)	7880 ft <sup>2</sup> /hr (732 m <sup>2</sup> /hr)	7680 ft <sup>2</sup> /hr (713 m <sup>2</sup> /hr)	7490 ft <sup>2</sup> /hr (696 m <sup>2</sup> /hr)	10,200 ft <sup>2</sup> /hr (948 m <sup>2</sup> /hr)

\* Clean sand, optimum moisture. MBW recommends that lifts not exceed 12".

\*\* Centrifugal Force is not an expression of compaction effectiveness or force.

( ) Metric Measurements. Specifications subject to change without notice.



**MBW Inc.**  
250 Hartford Road • P.O. Box 440  
Slinger, Wisconsin • 53086-0440 • USA  
Ph: 800-678-5237 or 262-644-5234 • Fax: 262-644-5169  
E-mail: mbw@mbw.com • Website: www.mbw.com

**MBW UK Ltd.**  
Units 2 & 3 Cochrane Street • Bolton BL3 6BN • England UK  
Ph: 44 (0) 1204 387784 • Fax: 44 (0) 1204 387797  
E-mail: mbwuk@btinternet.com • Website: www.mbw.com

**MBW FRANCE S.A.R.L.**  
Z.A. d'Outreville • 5 rue Jean Baptiste Néron • 60540 BORNEL • France  
Ph: 33 (0) 3 44 07 15 96 • Fax: 33 (0) 3 44 07 41 28  
E-mail: mbwfrance@free.fr • Website: www.mbw.com

**AUTHORIZED DISTRIBUTOR**