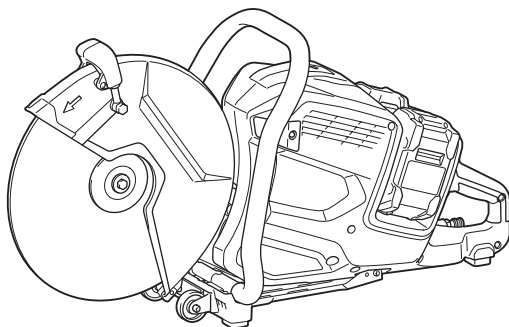


**INSTRUCTION MANUAL
MANUAL DE INSTRUCCIONES**



Cordless Power Cutter Cortadora de Concreto Inalámbrica GEC01



IMPORTANT: Read Before Using.
IMPORTANTE: Lea antes de usar.

SPECIFICATIONS

Model:	GEC01
Wheel diameter	355 mm (14")
Max. wheel thickness	5.0 mm (3/16")
Max. cutting depth	127 mm (5")
Rated speed	5,300 /min
Rated voltage	D.C. 72 V - 80 V max
Max. permitted pressure of feed-water	5.0 bars
Overall length	786 mm (31")
Net weight	12.3 - 14.1 kg (27.1 - 31.1 lbs)

- Due to our continuing program of research and development, the specifications herein are subject to change without notice.
- Specifications may differ from country to country.
- The weight may differ depending on the attachment(s), including the battery cartridge. The lightest and heaviest combination, according to EPTA-Procedure 01/2014, are shown in the table.

Applicable battery cartridge and charger

Battery cartridge	BL4040 / BL4050F* / BL4080F* *: Recommended battery
Charger	DC40RA / DC40RB / DC40RC

- Some of the battery cartridges and chargers listed above may not be available depending on your region of residence.

⚠WARNING: Only use the battery cartridges and chargers listed above. Use of any other battery cartridges and chargers may cause injury and/or fire.

SAFETY WARNINGS

General power tool safety warnings

⚠WARNING: Read all safety warnings, instructions, illustrations and specifications provided with this power tool. Failure to follow all instructions listed below may result in electric shock, fire and/or serious injury.

Save all warnings and instructions for future reference.

The term "power tool" in the warnings refers to your mains-operated (corded) power tool or battery-operated (cordless) power tool.

Work area safety

1. **Keep work area clean and well lit.** Cluttered or dark areas invite accidents.
2. **Do not operate power tools in explosive atmospheres, such as in the presence of flammable liquids, gases or dust.** Power tools create sparks which may ignite the dust or fumes.
3. **Keep children and bystanders away while operating a power tool.** Distractions can cause you to lose control.

Electrical Safety

1. **Power tool plugs must match the outlet. Never modify the plug in any way. Do not use any adapter plugs with earthed (grounded) power tools.** Unmodified plugs and matching outlets will reduce risk of electric shock.
2. **Avoid body contact with earthed or grounded surfaces, such as pipes, radiators, ranges and refrigerators.** There is an increased risk of electric shock if your body is earthed or grounded.
3. **Do not expose power tools to rain or wet conditions.** Water entering a power tool will increase the risk of electric shock.
4. **Do not abuse the cord. Never use the cord for carrying, pulling or unplugging the power tool. Keep cord away from heat, oil, sharp edges or moving parts.** Damaged or entangled cords increase the risk of electric shock.
5. **When operating a power tool outdoors, use an extension cord suitable for outdoor use.** Use of a cord suitable for outdoor use reduces the risk of electric shock.
6. **If operating a power tool in a damp location is unavoidable, use a ground fault circuit interrupter (GFCI) protected supply.** Use of a GFCI reduces the risk of electric shock.

7. **Power tools can produce electromagnetic fields (EMF) that are not harmful to the user.** However, users of pacemakers and other similar medical devices should contact the maker of their device and/or doctor for advice before operating this power tool.

Personal Safety

1. **Stay alert, watch what you are doing and use common sense when operating a power tool. Do not use a power tool while you are tired or under the influence of drugs, alcohol or medication.** A moment of inattention while operating power tools may result in serious personal injury.
2. **Use personal protective equipment. Always wear eye protection.** Protective equipment such as dust mask, non-skid safety shoes, hard hat, or hearing protection used for appropriate conditions will reduce personal injuries.
3. **Prevent unintentional starting. Ensure the switch is in the off-position before connecting to power source and/or battery pack, picking up or carrying the tool.** Carrying power tools with your finger on the switch or energising power tools that have the switch on invites accidents.
4. **Remove any adjusting key or wrench before turning the power tool on.** A wrench or a key left attached to a rotating part of the power tool may result in personal injury.
5. **Do not overreach. Keep proper footing and balance at all times.** This enables better control of the power tool in unexpected situations.
6. **Dress properly. Do not wear loose clothing or jewellery. Keep your hair, clothing and gloves away from moving parts.** Loose clothes, jewellery or long hair can be caught in moving parts.
7. **If devices are provided for the connection of dust extraction and collection facilities, ensure these are connected and properly used.** Use of dust collection can reduce dust-related hazards.
8. **Do not let familiarity gained from frequent use of tools allow you to become complacent and ignore tool safety principles.** A careless action can cause severe injury within a fraction of a second.
9. **Always wear protective goggles to protect your eyes from injury when using power tools. The goggles must comply with ANSI Z87.1 in the USA. It is an employer's responsibility to enforce the use of appropriate safety protective equipment by the tool operators and by other persons in the immediate working area.**

Power tool use and care

1. **Do not force the power tool. Use the correct power tool for your application.** The correct power tool will do the job better and safer at the rate for which it was designed.
2. **Do not use the power tool if the switch does not turn it on and off.** Any power tool that cannot be controlled with the switch is dangerous and must be repaired.
3. **Disconnect the plug from the power source and/or remove the battery pack, if detachable, from the power tool before making any adjustments, changing accessories, or storing power tools.** Such preventive safety measures reduce the risk of starting the power tool accidentally.
4. **Store idle power tools out of the reach of children and do not allow persons unfamiliar with the power tool or these instructions to operate the power tool.** Power tools are dangerous in the hands of untrained users.
5. **Maintain power tools and accessories. Check for misalignment or binding of moving parts, breakage of parts and any other condition that may affect the power tool's operation. If damaged, have the power tool repaired before use.** Many accidents are caused by poorly maintained power tools.
6. **Keep cutting tools sharp and clean.** Properly maintained cutting tools with sharp cutting edges are less likely to bind and are easier to control.
7. **Use the power tool, accessories and tool bits etc. in accordance with these instructions, taking into account the working conditions and the work to be performed.** Use of the power tool for operations different from those intended could result in a hazardous situation.
8. **Keep handles and grasping surfaces dry, clean and free from oil and grease.** Slippery handles and grasping surfaces do not allow for safe handling and control of the tool in unexpected situations.
9. **When using the tool, do not wear cloth work gloves which may be entangled.** The entanglement of cloth work gloves in the moving parts may result in personal injury.

Battery tool use and care

1. **Recharge only with the charger specified by the manufacturer.** A charger that is suitable for one type of battery pack may create a risk of fire when used with another battery pack.
2. **Use power tools only with specifically designated battery packs.** Use of any other battery packs may create a risk of injury and fire.
3. **When battery pack is not in use, keep it away from other metal objects, like paper clips, coins, keys, nails, screws or other small metal objects, that can make a connection from one terminal to another.** Shorting the battery terminals together may cause burns or a fire.
4. **Under abusive conditions, liquid may be ejected from the battery; avoid contact. If contact accidentally occurs, flush with water. If liquid contacts eyes, additionally seek medical help.** Liquid ejected from the battery may cause irritation or burns.
5. **Do not use a battery pack or tool that is damaged or modified.** Damaged or modified batteries may exhibit unpredictable behaviour resulting in fire, explosion or risk of injury.
6. **Do not expose a battery pack or tool to fire or excessive temperature.** Exposure to fire or temperature above 130 °C may cause explosion.
7. **Follow all charging instructions and do not charge the battery pack or tool outside the temperature range specified in the instructions.** Charging improperly or at temperatures outside the specified range may damage the battery and increase the risk of fire.

Service

1. **Have your power tool serviced by a qualified repair person using only identical replacement parts.** This will ensure that the safety of the power tool is maintained.
2. **Never service damaged battery packs.** Service of battery packs should only be performed by the manufacturer or authorized service providers.
3. **Follow instruction for lubricating and changing accessories.**
4. **Do not modify or attempt to repair the appliance or the battery pack except as indicated in the instructions for use and care.**

Cordless cutter safety warnings

1. **The guard provided with the tool must be securely attached to the power tool and positioned for maximum safety, so the least amount of wheel is exposed towards the operator. Position yourself and bystanders away from the plane of the rotating wheel.** The guard helps to protect operator from broken wheel fragments and accidental contact with wheel.
2. **Use only bonded reinforced or diamond cut-off wheels for your power tool.** Just because an accessory can be attached to your power tool, it does not assure safe operation.
3. **The rated speed of the accessory must be at least equal to the maximum speed marked on the power tool.** Accessories running faster than their rated speed can break and fly apart.
4. **Wheels must be used only for recommended applications. For example: do not grind with the side of cut-off wheel.** Abrasive cut-off wheels are intended for peripheral grinding, side forces applied to these wheels may cause them to shatter.
5. **Always use undamaged wheel flanges that are of correct diameter for your selected wheel.** Proper wheel flanges support the wheel thus reducing the possibility of wheel breakage.
6. **Do not use worn down reinforced wheels from larger power tools.** Wheels intended for a larger power tool are not suitable for the higher speed of a smaller tool and may burst.
7. **The outside diameter and the thickness of your accessory must be within the capacity rating of your power tool.** Incorrectly sized accessories cannot be adequately guarded or controlled.
8. **The arbour size of wheels and flanges must properly fit the spindle of the power tool.** Wheels and flanges with arbour holes that do not match the mounting hardware of the power tool will run out of balance, vibrate excessively and may cause loss of control.
9. **Do not use damaged wheels. Before each use, inspect the wheels for chips and cracks. If power tool or wheel is dropped, inspect for damage or install an undamaged wheel. After inspecting and installing the wheel, position yourself and bystanders away from the plane of the rotating wheel and run the power tool at maximum no load speed for one minute.** Damaged wheels will normally break apart during this test time.

10. **Wear personal protective equipment. Depending on application, use face shield, safety goggles or safety glasses. As appropriate, wear dust mask, hearing protectors, gloves and shop apron capable of stopping small abrasive or workpiece fragments.** The eye protection must be capable of stopping flying debris generated by various operations. The dust mask or respirator must be capable of filtering particles generated by your operation. Prolonged exposure to high intensity noise may cause hearing loss.
11. **Keep bystanders a safe distance away from work area. Anyone entering the work area must wear personal protective equipment.** Fragments of workpiece or of a broken wheel may fly away and cause injury beyond immediate area of operation.
12. **Hold the power tool by insulated gripping surfaces only, when performing an operation where the cutting accessory may contact hidden wiring.** Cutting accessory contacting a "live" wire may make exposed metal parts of the power tool "live" and could give the operator an electric shock.
13. **Never lay the power tool down until the accessory has come to a complete stop.** The spinning wheel may grab the surface and pull the power tool out of your control.
14. **Do not run the power tool while carrying it at your side.** Accidental contact with the spinning accessory could snag your clothing, pulling the accessory into your body.
15. **Regularly clean the power tool's air vents.** The motor's fan will draw the dust inside the housing and excessive accumulation of powdered metal may cause electrical hazards.
16. **Do not operate the power tool near flammable materials.** Sparks could ignite these materials.

Kickback and related warnings

Kickback is a sudden reaction to a pinched or snagged rotating wheel. Pinching or snagging causes rapid stalling of the rotating wheel which in turn causes the uncontrolled power tool to be forced in the direction opposite of the wheel's rotation at the point of the binding.

For example, if an abrasive wheel is snagged or pinched by the workpiece, the edge of the wheel that is entering into the pinch point can dig into the surface of the material causing the wheel to climb out or kick out. The wheel may either jump toward or away from the operator, depending on direction of the wheel's movement at the point of pinching. Abrasive wheels may also break under these conditions.

Kickback is the result of power tool misuse and/or incorrect operating procedures or conditions and can be avoided by taking proper precautions as given below.

1. **Maintain a firm grip on the power tool and position your body and arm to allow you to resist kickback forces. Always use auxiliary handle, if provided, for maximum control over kickback or torque reaction during start-up.** The operator can control torque reactions or kickback forces, if proper precautions are taken.
2. **Never place your hand near the rotating accessory.** Accessory may kickback over your hand.

3. **Do not position your body in line with the rotating wheel.** Kickback will propel the tool in direction opposite to the wheel's movement at the point of snagging.
4. **Use special care when working corners, sharp edges etc. Avoid bouncing and snagging the accessory.** Corners, sharp edges or bouncing have a tendency to snag the rotating accessory and cause loss of control or kickback.
5. **Do not attach a saw chain, woodcarving blade, segmented diamond wheel with a peripheral gap greater than 10 mm or toothed saw blade.** Such blades create frequent kickback and loss of control.
6. **Do not "jam" the wheel or apply excessive pressure. Do not attempt to make an excessive depth of cut.** Overstressing the wheel increases the loading and susceptibility to twisting or binding of the wheel in the cut and the possibility of kickback or wheel breakage.
7. **When wheel is binding or when interrupting a cut for any reason, switch off the power tool and hold the power tool motionless until the wheel comes to a complete stop. Never attempt to remove the wheel from the cut while the wheel is in motion otherwise kickback may occur.** Investigate and take corrective action to eliminate the cause of wheel binding.
8. **Do not restart the cutting operation in the workpiece. Let the wheel reach full speed and carefully re-enter the cut.** The wheel may bind, walk up or kickback if the power tool is restarted in the workpiece.
9. **Support panels or any oversized workpiece to minimize the risk of wheel pinching and kickback.** Large workpieces tend to sag under their own weight. Supports must be placed under the workpiece near the line of cut and near the edge of the workpiece on both sides of the wheel.
10. **Use extra caution when making a "pocket cut" into existing walls or other blind areas.** The protruding wheel may cut gas or water pipes, electrical wiring or objects that can cause kickback.
7. **Do not switch on the tool if a foreign object is jammed between the guard and the wheel.** In this case, uninstall the battery cartridge and remove the foreign object.
8. **Use clamps or similar to support the work-piece whenever possible.**
9. **Always wear hearing protection during operation.**
10. **Do not cut wood materials with this tool.**
11. **The outside diameter and the thickness of the wheel must be within the capacity rating of your power tool.** Incorrectly sized wheels cannot be adequately guarded or controlled.
12. **When operating the power tool, maintain a firm grip with both hands on the power tool and position your body and arm to allow you to resist kickback forces.**
13. **Keep your hands or face away from the rotating wheel.**
14. **Adjust the wheel cover to a position suitable for your work.**
15. **When you use the tool on muddy ground, wet slope, or slippery place, pay attention to your footing.**
16. **Do not submerge the tool into a puddle.**
17. **Do not leave the tool unattended outdoors in the rain.**
18. **Do not replace the battery in the rain.**
19. **When storing the tool, avoid direct sunlight and rain, and store it in a place where it does not get hot or humid.**

Additional Safety Warnings:

1. **Before using a segmented diamond wheel, make sure that the diamond wheel has the peripheral gap between segments of 10 mm or less, only with a negative rake angle.**
2. **Never attempt to cut with the tool held upside down in a vise. This can lead to serious accidents, because it is extremely dangerous.**
3. **Some material contains chemicals which may be toxic. Take caution to prevent dust inhalation and skin contact. Follow material supplier safety data.**
4. **Store wheels as per manufacturer recommendations. Improper storage may damage the wheels.**
5. **Always use the wheel suitable for your work and the material to be cut.**
6. **Examine the material to be cut before cutting.** If the material contains explosive or flammable substances, it may cause an explosion or fire.

SAVE THESE INSTRUCTIONS.

⚠WARNING: DO NOT let comfort or familiarity with product (gained from repeated use) replace strict adherence to safety rules for the subject product. **MISUSE** or failure to follow the safety rules stated in this instruction manual may cause serious personal injury.

Symbols

The followings show the symbols used for tool.

\varnothing	diameter
V	volts
— — —	direct current
n	rated speed
... /min r /min	revolutions or reciprocation per minute

Important safety instructions for battery cartridge

1. **Before using battery cartridge, read all instructions and cautionary markings on (1) battery charger, (2) battery, and (3) product using battery.**
2. **Do not disassemble or tamper with the battery cartridge.** It may result in a fire, excessive heat, or explosion.
3. **If operating time has become excessively shorter, stop operating immediately.** It may result in a risk of overheating, possible burns and even an explosion.
4. **If electrolyte gets into your eyes, rinse them out with clear water and seek medical attention right away.** It may result in loss of your eyesight.
5. **Do not short the battery cartridge:**
 - (1) **Do not touch the terminals with any conductive material.**
 - (2) **Avoid storing battery cartridge in a container with other metal objects such as nails, coins, etc.**
 - (3) **Do not expose battery cartridge to water or rain.**

A battery short can cause a large current flow, overheating, possible burns and even a breakdown.

6. **Do not store and use the tool and battery cartridge in locations where the temperature may reach or exceed 50 °C (122 °F).**
7. **Do not incinerate the battery cartridge even if it is severely damaged or is completely worn out.** The battery cartridge can explode in a fire.
8. **Do not nail, cut, crush, throw, drop the battery cartridge, or hit against a hard object to the battery cartridge.** Such conduct may result in a fire, excessive heat, or explosion.
9. **Do not use a damaged battery.**
10. **The contained lithium-ion batteries are subject to the Dangerous Goods Legislation requirements.**

For commercial transports e.g. by third parties, forwarding agents, special requirement on packaging and labeling must be observed.
For preparation of the item being shipped, consulting an expert for hazardous material is required.
Please also observe possibly more detailed national regulations.
Tape or mask off open contacts and pack up the battery in such a manner that it cannot move around in the packaging.
11. **When disposing the battery cartridge, remove it from the tool and dispose of it in a safe place. Follow your local regulations relating to disposal of battery.**
12. **Use the batteries only with the products specified by Makita.** Installing the batteries to non-compliant products may result in a fire, excessive heat, explosion, or leak of electrolyte.

13. **If the tool is not used for a long period of time, the battery must be removed from the tool.**
14. **During and after use, the battery cartridge may take on heat which can cause burns or low temperature burns. Pay attention to the handling of hot battery cartridges.**
15. **Do not touch the terminal of the tool immediately after use as it may get hot enough to cause burns.**
16. **Do not allow chips, dust, or soil stuck into the terminals, holes, and grooves of the battery cartridge.** It may cause heating, catching fire, burst and malfunction of the tool or battery cartridge, resulting in burns or personal injury.
17. **Unless the tool supports the use near high-voltage electrical power lines, do not use the battery cartridge near a high-voltage electrical power lines.** It may result in a malfunction or breakdown of the tool or battery cartridge.
18. **Keep the battery away from children.**

SAVE THESE INSTRUCTIONS.

⚠ CAUTION: Only use genuine Makita batteries. Use of non-genuine Makita batteries, or batteries that have been altered, may result in the battery bursting causing fires, personal injury and damage. It will also void the Makita warranty for the Makita tool and charger.

Tips for maintaining maximum battery life

1. **Charge the battery cartridge before completely discharged. Always stop tool operation and charge the battery cartridge when you notice less tool power.**
2. **Never recharge a fully charged battery cartridge. Overcharging shortens the battery service life.**
3. **Charge the battery cartridge with room temperature at 10 °C - 40 °C (50 °F - 104 °F). Let a hot battery cartridge cool down before charging it.**
4. **When not using the battery cartridge, remove it from the tool or the charger.**
5. **Charge the battery cartridge if you do not use it for a long period (more than six months).**

PARTS DESCRIPTION

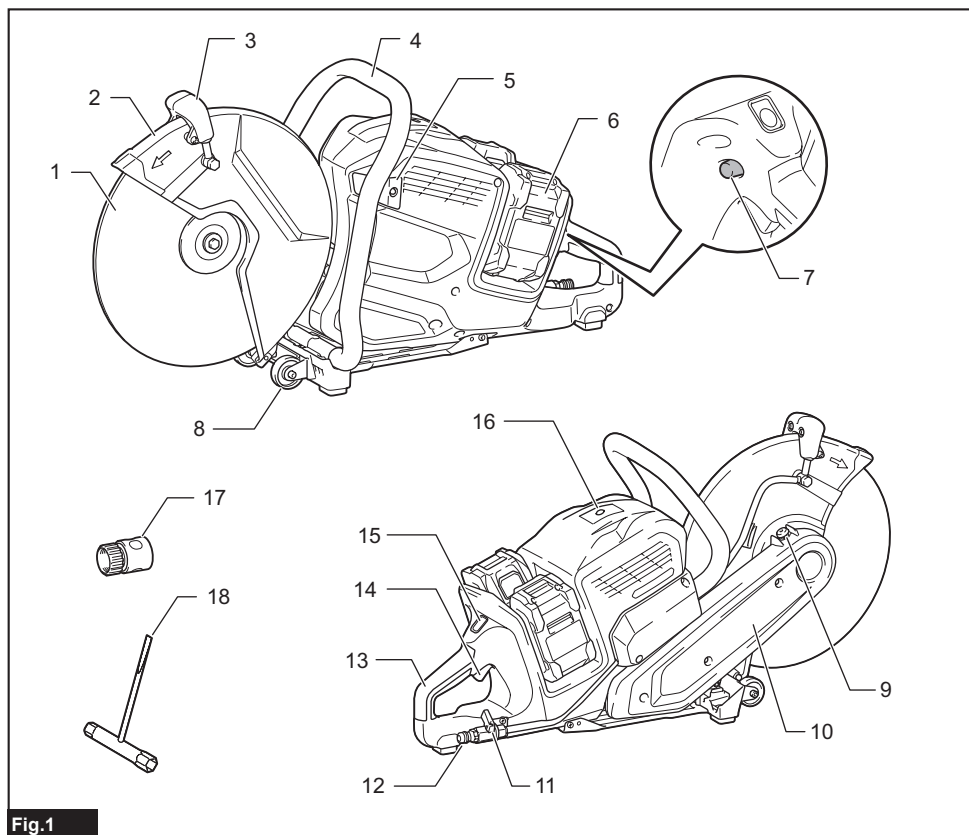


Fig.1

1	Abrasive cut-off wheel / diamond wheel	2	Wheel guard	3	Wheel cover grip	4	Front grip
5	Lamp	6	Battery cartridge	7	Lock-off button	8	Caster
9	Shaft lock button	10	Cover	11	Cock	12	Water inlet
13	Handle	14	Switch trigger	15	Lamp button	16	Overload indicator
17	Coupling sleeve	18	Box wrench	-	-	-	-

FUNCTIONAL DESCRIPTION

CAUTION: Always be sure that the tool is switched off and the battery cartridge is removed before adjusting or checking function on the tool.

Installing or removing battery cartridge

CAUTION: Always switch off the tool before installing or removing of the battery cartridge.

CAUTION: Hold the tool and the battery cartridge firmly when installing or removing battery cartridge. Failure to hold the tool and the battery cartridge firmly may cause them to slip off your hands and result in damage to the tool and battery cartridge and a personal injury.

To install the battery cartridge, align the tongue on the battery cartridge with the groove in the housing and slip it into place. Insert it all the way until it locks in place with a little click. If you can see the red indicator on the upper side of the button, it is not locked completely.

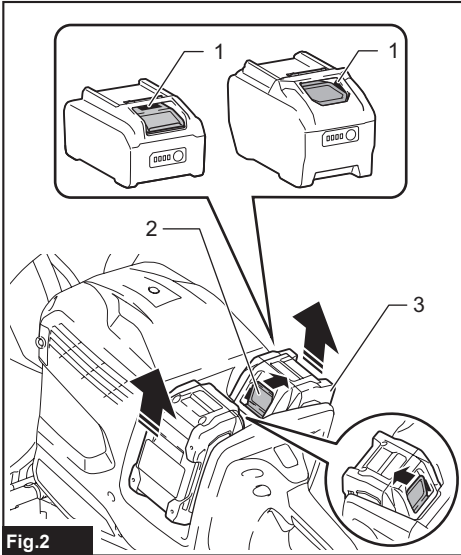


Fig.2

► 1. Red indicator 2. Button 3. Battery cartridge

To remove the battery cartridges, lift the battery cartridge while pushing the button on the front of the cartridge.

CAUTION: Always install the battery cartridge fully until the red indicator cannot be seen. If not, it may accidentally fall out of the tool, causing injury to you or someone around you.

CAUTION: Do not install the battery cartridge forcibly. If the cartridge does not slide in easily, it is not being inserted correctly.

NOTE: The tool does not work with only one battery cartridge.

Indicating the remaining battery capacity

Press the check button on the battery cartridge to indicate the remaining battery capacity. The indicator lamps light up for a few seconds.

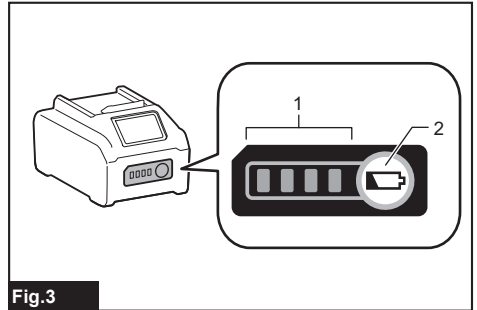


Fig.3

► 1. Indicator lamps 2. Check button

Indicator lamps			Remaining capacity
Lighted	Off	Blinking	
■ ■ ■ ■			75% to 100%
■ ■ ■ □			50% to 75%
■ ■ □ □			25% to 50%
■ □ □ □			0% to 25%
▣ □ □ □			Charge the battery.
■ ■ □ □			The battery may have malfunctioned.
□ □ ■ ■			

NOTE: Depending on the conditions of use and the ambient temperature, the indication may differ slightly from the actual capacity.

NOTE: The first (far left) indicator lamp will blink when the battery protection system works.

Tool / battery protection system

The tool is equipped with a tool/battery protection system. This system automatically cuts off power to the motor to extend tool and battery life. The tool will automatically stop during operation if the tool or battery is placed under one of the following conditions.

Overload protection

When the tool/battery is operated in a manner that causes it to draw an abnormally high current, the tool automatically stops. In this situation, turn the tool off and stop the application that caused the tool to become overloaded. Then turn the tool on to restart.

Overheat protection

When the tool/battery is overheated, the tool stops automatically, and the lamp blinks. In this situation, let the tool cool down before turning the tool on again.

Overdischarge protection

When the battery capacity becomes low, the tool stops automatically, and the indicator lamp of battery cartridge blinks. If the tool does not operate even when the switches are operated, remove the batteries from the tool and charge the batteries.

Protections against other causes

Protection system is also designed for other causes that could damage the tool and allows the tool to stop automatically. Take all the following steps to clear the causes, when the tool has been brought to a temporary halt or stop in operation.

1. Turn the tool off, and then turn it on again to restart.
2. Charge the battery(ies) or replace it/them with recharged battery(ies).
3. Let the tool and battery(ies) cool down.

If no improvement can be found by restoring protection system, then contact your local Makita Service Center.

NOTICE: If the tool stops due to a cause not described above, refer to the section for troubleshooting.

Overload alert

If the tool is operated with excessive load, the overload indicator will blink in red. In this situation, reduce the load on the tool. Then, the indicator stops blinking.

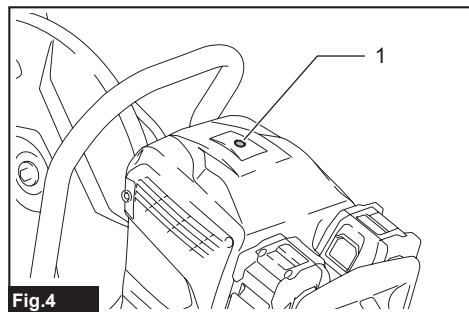


Fig.4
▶ 1. Overload indicator

Switch action

WARNING: Before installing the battery cartridge into the tool, always check to see that the switch trigger actuates properly and returns to the "OFF" position when released.

WARNING: NEVER defeat the lock-off button by taping down or some other means. A switch with a negated lock-off button may result in unintentional operation and serious personal injury.

WARNING: NEVER use the tool if it runs when you simply pull the switch trigger without pressing the lock-off button. A switch in need of repair may result in unintentional operation and serious personal injury. Return tool to a Makita service center for proper repairs BEFORE further usage.

To prevent the switch trigger from being accidentally pulled, a lock-off button is provided. To start the tool, depress the lock-off button and pull the switch trigger. Release the switch trigger to stop.

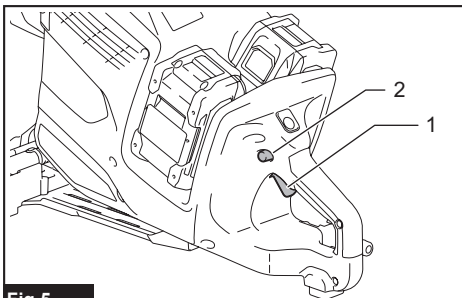


Fig.5
▶ 1. Switch trigger 2. Lock-off button

NOTICE: Do not pull the switch trigger hard without pressing in the lock-off button. This can cause switch breakage.

Lighting the lamp

CAUTION: Do not look in the light or see the source of light directly.

To turn on the lamp, press the lamp button. To turn off, press the lamp button again.

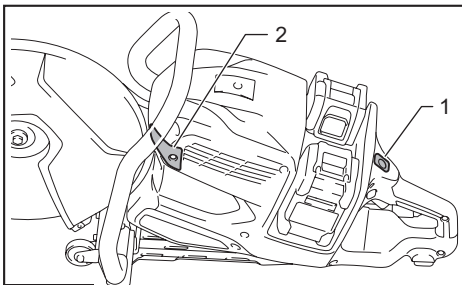


Fig.6
▶ 1. Lamp button 2. Lamp

NOTE: The lamp will automatically be turned off if there is no operation with the tool for one minute.

Adjusting the wheel cover

Hold the wheel cover grip and adjust the position of the wheel cover suitable for your work.

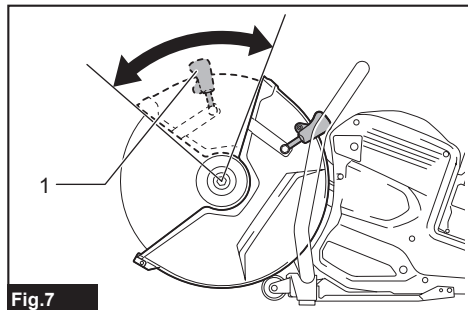


Fig.7

► 1. Wheel cover grip

Active feedback sensing technology

The tool electronically detects situations where the wheel may be at risk to be bound. In the situation, the tool is automatically shut off to prevent further rotation of the spindle (it does not prevent kickback).

To restart the tool, switch off the tool first, remove the cause of sudden drop in the rotation speed, and then turn the tool on.

Electric brake

Electric brake is activated after the tool is switched off. The brake does not work when the power supply is shut down, such as the battery is removed accidentally, with the switch still on.

ASSEMBLY

CAUTION: Always be sure that the tool is switched off and the battery cartridge is removed before carrying out any work on the tool.

Installing or removing abrasive cut-off wheel / diamond wheel

CAUTION: Use only the Makita wrench to install or remove the wheel.

CAUTION: When installing the wheel, be sure to tighten the bolt securely.

CAUTION: Do not press the shaft lock button when the wheel is rotating.

To remove the wheel, press the shaft lock button and rotate the wheel until the wheel cannot revolve. While the shaft lock is fully locked, turn the hex bolt counter-clockwise using the box wrench. Then remove the hex bolt, flange, wheel, ring, and flange in order.

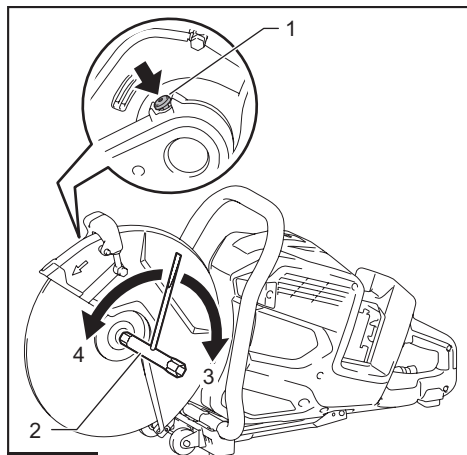


Fig.8

► 1. Shaft lock button 2. Box wrench 3. Tighten
4. Loosen

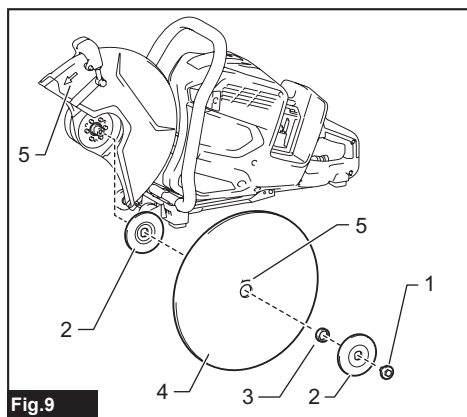


Fig.9

► 1. Hex bolt 2. Flange 3. Ring 4. Abrasive cut-off wheel / diamond wheel 5. Arrow (rotation direction of the wheel)

To install the wheel, follow the removal procedure in reverse.

BE SURE TO TIGHTEN THE HEX BOLT SECURELY.

CAUTION: Always install the wheel so that the arrow on it points in the same direction as the arrow on the wheel guard. Otherwise the wheel rotates in reverse, it may cause personal injury.

CAUTION: Only use the wheel that are marked with a speed equal or higher than the speed marked on the tool.

NOTE: When installing the wheel, be sure to attach the flanges so that the flat side of flange faces the wheel, and attach the ring that matches the inner diameter of the wheel.

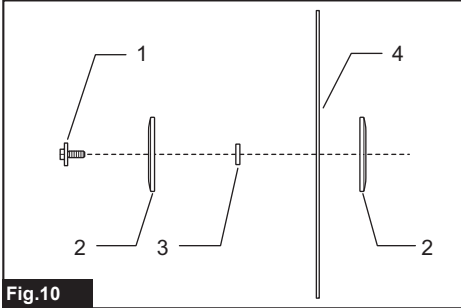


Fig.10

- 1. Hex bolt 2. Flange 3. Ring 4. Abrasive cut-off wheel / diamond wheel

Connecting to water supply

1. Prepare a water hose.
2. Connect the coupling sleeve to the water hose by turning the coupling sleeve.

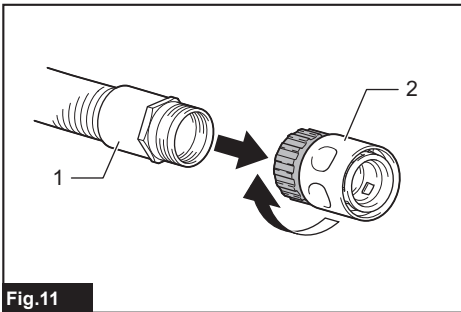


Fig.11

- 1. Water hose 2. Coupling sleeve

3. Connect the water hose to the water supply.

When connecting to a water faucet, use a suitable fitting such as hose band or water tap joint.

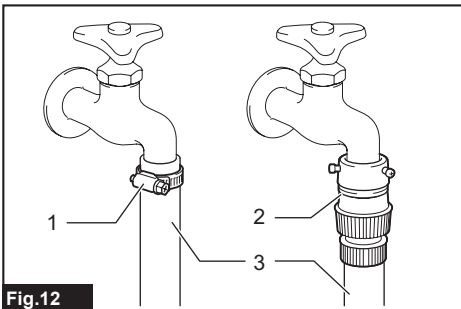


Fig.12

- 1. Hose band 2. Water tap joint 3. Water hose

NOTE: The fitting depends on the shape of the faucet to which you connect. Prepare a suitable commercially-bought fitting.

NOTE: If you use a water tap joint, prepare another coupling sleeve and attach it to the other end of the hose.

NOTE: When using a water pump, follow the instructions of your water pump to connect the water hose.

4. Push the coupling sleeve into the water inlet until it locks with a click.

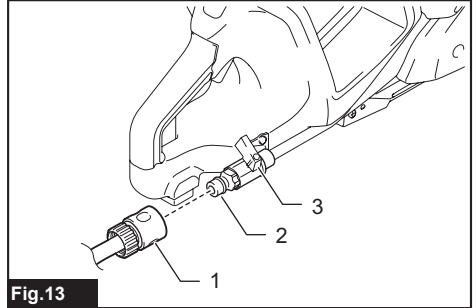


Fig.13

- 1. Coupling sleeve 2. Water inlet 3. Cock

NOTICE: Keep the cock closed until you start the cutting operation with water feeding. For how to feed water, refer to the section for the operation.

OPERATION

CAUTION: Be sure to hold the workpiece firmly down on a stable bench or table during operation.

CAUTION: Do not twist or force the tool in the cut, or the motor may be overloaded or the workpiece may break.

Cutting

CAUTION: During operation, do not bring the tool higher than your shoulder height.

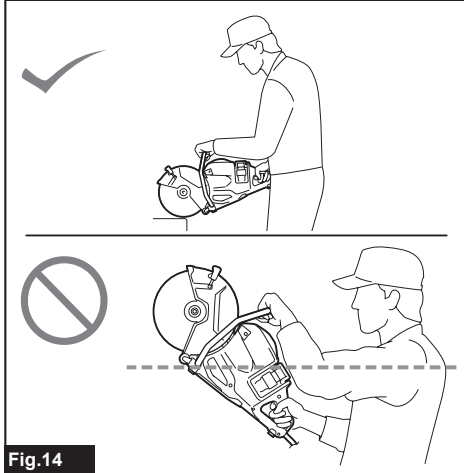


Fig.14

Hold the tool firmly. Grasp the handle with your right hand and the front grip with your left hand. To prevent electric shock by accidental cutting of an electric cable, always hold the front grip by the designated portion as shown in the figure.

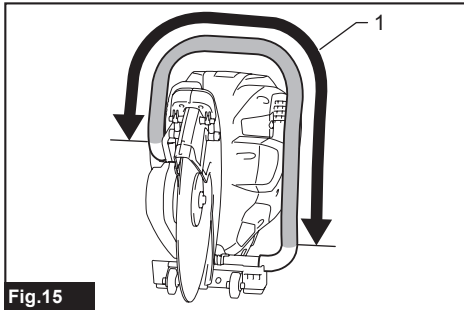


Fig.15

► 1. Part to hold

Move the tool over the workpiece surface, keeping it flat and advancing smoothly until the cutting is completed. Keep your cutting line straight and your speed of advance uniform.

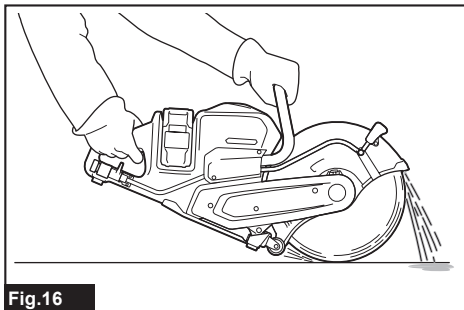


Fig.16

NOTE: When the battery cartridge temperature is low, the tool may not work to its full capacity. At this time, for example, use the tool for a light-duty cut for a while until the battery cartridge warms up as high as room temperature. Then, the tool can work to its full capacity.

NOTE: If the cutting action of the diamond wheel begins to diminish, dress the cutting edge of the wheel using an old discarded coarse grit bench grinder wheel or concrete block. Dress by pressing lightly on the outer edge of the diamond wheel.

When feeding water during cutting

CAUTION: When using a wet-type diamond wheel, always feed water during cutting.

Connect the tool to the water supply and turn the cock in the direction of the arrow as illustrated. Adjust the position of the cock to obtain a gentle flow of water.

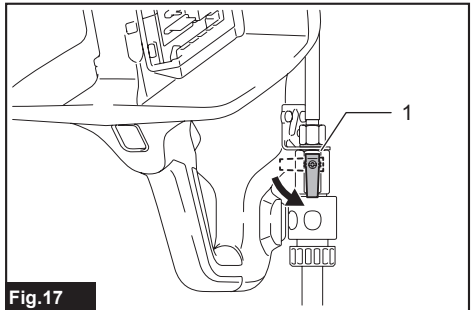


Fig.17

► 1. Cock

CAUTION: When feeding water, always keep the tool head lower than the tool body to prevent water entering into the tool mechanism. Failure to do so may cause electric shock.

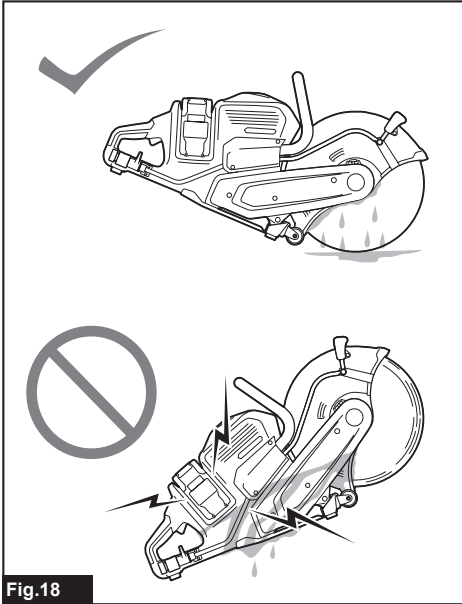


Fig.18

MAINTENANCE

CAUTION: Always be sure that the tool is switched off and the battery cartridge is removed before attempting to perform inspection or maintenance.

NOTICE: Never use gasoline, benzine, thinner, alcohol or the like. Discoloration, deformation or cracks may result.

To maintain product SAFETY and RELIABILITY, repairs, any other maintenance or adjustment should be performed by Makita Authorized or Factory Service Centers, always using Makita replacement parts.

Cleaning the tool

After each use, remove the battery cartridges and the wheel, and then clean dust, dirt or metal chips accumulated inside the wheel guard. Clean the tool body by wiping off dust, dirt with a dry cloth or one dipped in soapy water and wrung out. Use a dry cloth to wipe the dirt off the lens of the lamp. Be careful not to scratch the lens of lamp, or it may lower the illumination.

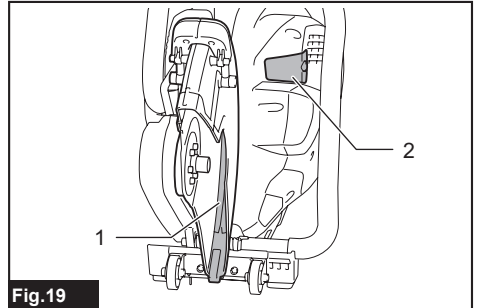


Fig.19

► 1. Wheel guard 2. Lens of the lamp

Cleaning the air vent

Regularly clean the tool's air vents or whenever the vents start to become obstructed.

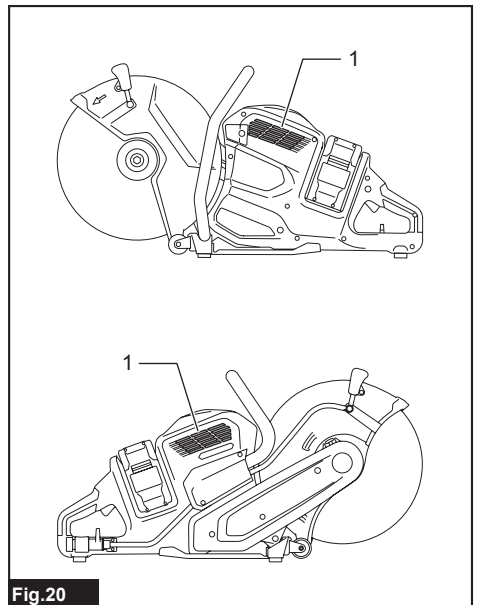


Fig.20

► 1. Air vent

Replacing the synchro-belt

1. Remove the battery cartridges and the wheel.
2. Loosen the hex socket bolts using the tip of the box wrench, and then remove the cover.

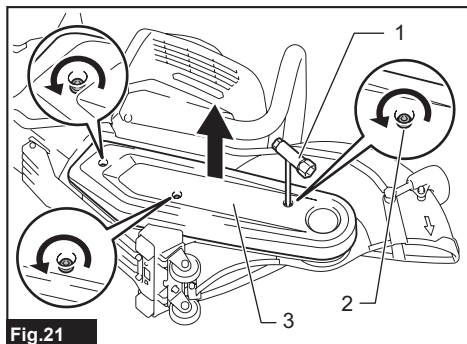


Fig.21

- 1. Box wrench 2. Hex socket bolt 3. Cover

3. Push in the shaft lock button and hold it to lock the large pulley, and then turn the nut counterclockwise using the thin end of the box wrench.

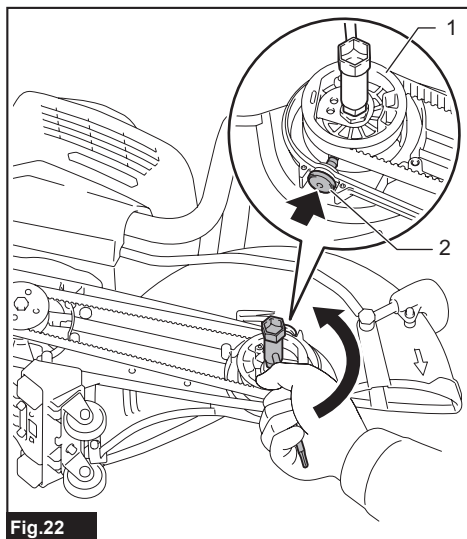


Fig.22

- 1. Large pulley 2. Shaft lock button

4. Push in the shaft lock button and hold it to lock the large pulley, and then turn the small disc counterclockwise using the thick end of the box wrench to loosen the synchro-belt.

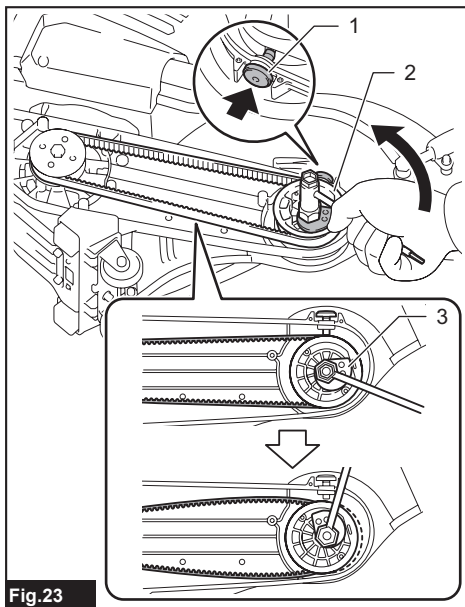


Fig.23

- 1. Shaft lock button 2. Large pulley 3. Small disc

5. Remove the belt.

6. With the grooves on the belt inside, attach one end of the belt to the small pulley, and then attach the other end of the belt to the large pulley.

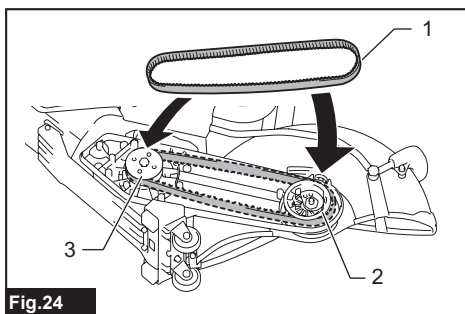


Fig.24

- 1. Belt 2. Large pulley 3. Small pulley

7. Push in the shaft lock button and hold it to lock the large pulley, and then turn the small disc clockwise using the thick end of the box wrench to tighten the belt.

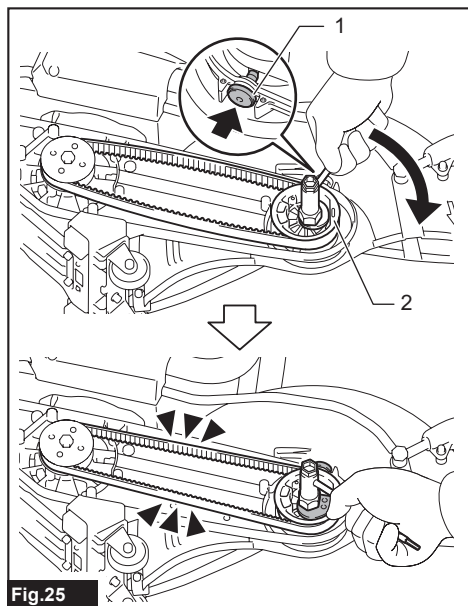


Fig.25

► 1. Shaft lock button 2. Large pulley

NOTE: Make sure that the small disc is in the position shown in the figure.

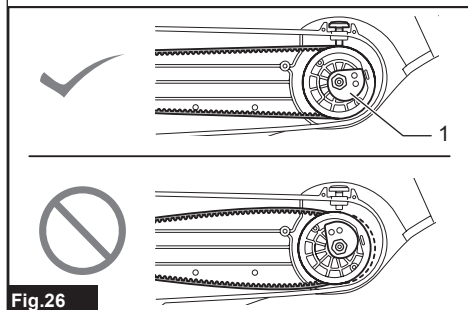


Fig.26

► 1. Small disc

8. Push in the shaft lock button and hold it to lock the large pulley, and then turn the nut clockwise using the thin end of the box wrench.

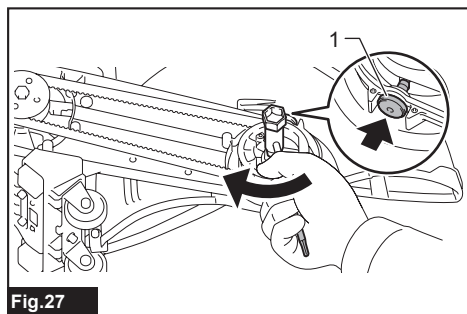


Fig.27

► 1. Shaft lock button

NOTE: When tightening the nut, apply 19 - 21 N·m as tightening torque.

9. Attach the cover, and then tighten the hex socket bolts using the tip of the box wrench.

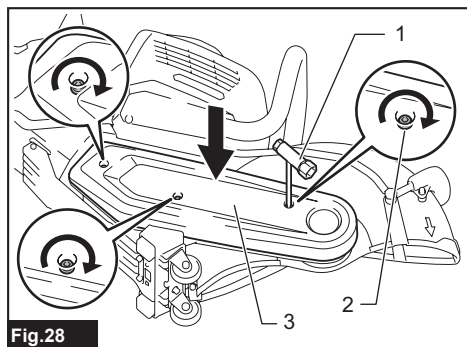


Fig.28

► 1. Box wrench 2. Hex socket bolt 3. Cover

TROUBLESHOOTING

Before asking for repairs, conduct your own inspection first. If you find a problem that is not explained in the manual, do not attempt to dismantle the tool. Instead, ask Makita Authorized Service Centers, always using Makita replacement parts for repairs.

State of abnormality	Probable cause (malfunction)	Remedy
Motor does not run.	Battery cartridges are not installed.	Install two battery cartridges. This tool does not work with one battery cartridge.
	Battery problem (under voltage)	Recharge the battery. If recharging is not effective, replace the battery cartridge.
	The drive system does not work correctly.	Ask your local authorized service center for repair.
Motor stops running after a little use.	Battery's charge level is low.	Recharge the battery. If recharging is not effective, replace the battery cartridge.
	Overheating.	Stop using of tool to allow it to cool down.
The wheel rotation does not accelerate properly even after running the tool without load for 20 seconds.	Battery is installed improperly.	Install the battery cartridges as described in this manual.
	Battery power is dropping.	Recharge the battery cartridges. If recharging is not effective, replace the battery cartridge.
	The synchro-belt is slipping.	Replace the synchro-belt with new one.
	The drive system does not work correctly.	Ask your local authorized service center for repair.
Wheel does not rotate: ⇒ stop the machine immediately!	The synchro-belt is slipping.	Replace the synchro-belt with new one.
	Foreign object is jammed between the guard and the wheel.	Uninstall the battery cartridges and then remove the foreign object.
	The drive system does not work correctly.	Ask your local authorized service center for repair.
Abnormal vibration: ⇒ stop the machine immediately!	Improper attachment of the wheel.	Install the wheel as instructed in this manual. Tighten the bolt to secure the wheel firmly.
	The drive system does not work correctly.	Ask your local authorized service center for repair.
Cutting tool and motor cannot stop: ⇒ Remove the battery cartridge immediately!	Electric or electronic malfunction.	Remove the battery cartridges, and ask your local authorized service center for repair.
Poor cutting performance	It is time to replace the wheel.	Replace the wheel with new one.
Water leaks from the inlet.	Water is leaking from the O-ring part.	Ask your local authorized service center for repair.

OPTIONAL ACCESSORIES

⚠ CAUTION: These accessories or attachments are recommended for use with your Makita tool specified in this manual. The use of any other accessories or attachments might present a risk of injury to persons. Only use accessory or attachment for its stated purpose.

If you need any assistance for more details regarding these accessories, ask your local Makita Service Center.

- Abrasive cut-off wheel
- Diamond wheel
- Ring set
- Synchro-belt
- Coupling sleeve
- Box wrench
- Makita genuine battery and charger

NOTE: Some items in the list may be included in the tool package as standard accessories. They may differ from country to country.

MAKITA LIMITED WARRANTY

Please refer to the annexed warranty sheet for the most current warranty terms applicable to this product. If annexed warranty sheet is not available, refer to the warranty details set forth at below website for your respective country.

United States of America: www.makitatools.com
 Canada: www.makita.ca
 Other countries: www.makita.com

ESPECIFICACIONES

Modelo:	GEC01
Diámetro de la rueda	355 mm (14")
Grosor máx. de la rueda	5,0 mm (3/16")
Profundidad de corte máxima	127 mm (5")
Velocidad especificada	5 300 r/min
Tensión nominal	72 V - 80 V c.c. máx.
Presión máxima permitida del agua para alimentación	5,0 bars
Longitud total	786 mm (31")
Peso neto	12,3 kg - 14,1 kg (27,1 lbs - 31,1 lbs)

- Debido a nuestro continuo programa de investigación y desarrollo, las especificaciones aquí incluidas están sujetas a cambio sin previo aviso.
- Las especificaciones pueden variar de país a país.
- El peso puede variar en función de los accesorios, incluido el cartucho de batería. En la tabla se muestra la combinación de peso más ligero y más pesado conforme al procedimiento 01/2014 de EPTA.

Cartucho de batería y cargador aplicables

Cartucho de batería	BL4040 / BL4050F* / BL4080F* * : Batería recomendada
Cargador	DC40RA / DC40RB / DC40RC

- Algunos de los cartuchos de batería y cargadores enumerados arriba podrían no estar disponibles dependiendo de su área de residencia.

⚠ADVERTENCIA: Use únicamente los cartuchos de batería y los cargadores indicados arriba. El uso de cualquier otro cartucho de batería y cargador podría ocasionar una lesión y/o un incendio.

ADVERTENCIAS DE SEGURIDAD

Advertencias generales de seguridad para herramientas eléctricas

⚠ADVERTENCIA: Lea todas las advertencias de seguridad, instrucciones, ilustraciones y especificaciones suministradas con esta herramienta eléctrica. El no seguir todas las instrucciones indicadas a continuación podría ocasionar una descarga eléctrica, incendio y/o lesiones graves.

Conserve todas las advertencias e instrucciones como referencia en el futuro.

En las advertencias, el término "herramienta eléctrica" se refiere a su herramienta eléctrica de funcionamiento con conexión a la red eléctrica (con cableado eléctrico) o herramienta eléctrica de funcionamiento a batería (inalámbrica).

Seguridad en el área de trabajo

1. **Mantenga el área de trabajo limpia y bien iluminada.** Las áreas oscuras o desordenadas son propensas a accidentes.
2. **No utilice las herramientas eléctricas en atmósferas explosivas, tal como en la presencia de líquidos, gases o polvo inflamables.** Las herramientas eléctricas crean chispas que pueden prender fuego al polvo o los humos.
3. **Mantenga a los niños y curiosos alejados mientras utiliza una herramienta eléctrica.** Las distracciones le pueden hacer perder el control.

Seguridad eléctrica

1. **Las clavijas de conexión de las herramientas eléctricas deberán encajar perfectamente en la toma de corriente. No modifique nunca la clavija de conexión de ninguna forma. No utilice ninguna clavija adaptadora con herramientas eléctricas que tengan conexión a tierra (puesta a tierra).** La utilización de clavijas no modificadas y que encajen perfectamente en la toma de corriente reducirá el riesgo de que se produzca una descarga eléctrica.
2. **Evite tocar con el cuerpo superficies conectadas a tierra o puestas a tierra tales como tubos, radiadores, cocinas y refrigeradores.** Si su cuerpo es puesto a tierra o conectado a tierra existirá un mayor riesgo de que sufra una descarga eléctrica.

3. **No exponga las herramientas eléctricas a la lluvia ni a condiciones húmedas.** La entrada de agua en una herramienta eléctrica aumentará el riesgo de que se produzca una descarga eléctrica.
4. **No maltrate el cable. Nunca utilice el cable para transportar, jalar o desconectar la herramienta eléctrica.** Mantenga el cable alejado del calor, aceite, objetos cortantes o piezas móviles. Los cables dañados o enredados aumentan el riesgo de sufrir una descarga eléctrica.
5. **Cuando utilice una herramienta eléctrica en exteriores, utilice un cable de extensión apropiado para uso en exteriores.** La utilización de un cable apropiado para uso en exteriores reducirá el riesgo de que se produzca una descarga eléctrica.
6. **Si no es posible evitar usar una herramienta eléctrica en condiciones húmedas, utilice un alimentador protegido con interruptor de circuito de falla a tierra (ICFT).** El uso de un ICFT reduce el riesgo de descarga eléctrica.
7. **Las herramientas eléctricas pueden producir campos electromagnéticos (CEM) que no son dañinos para el usuario.** Sin embargo, si los usuarios tienen marcapasos y otros dispositivos médicos similares, deberán consultar al fabricante de su dispositivo y/o a su médico antes de operar esta herramienta eléctrica.
7. **Si dispone de dispositivos para la conexión de equipos de extracción y recolección de polvo, asegúrese de conectarlos y utilizarlos debidamente.** Hacer uso de la recolección de polvo puede reducir los riesgos relacionados con el polvo.
8. **No permita que la familiaridad adquirida debido al uso frecuente de las herramientas haga que se sienta confiado e ignore los principios de seguridad de las herramientas.** Un descuido podría ocasionar una lesión grave en una fracción de segundo.
9. **Utilice siempre gafas protectoras para proteger sus ojos de lesiones al usar herramientas eléctricas. Las gafas deben cumplir con la Norma ANSI Z87.1 en EUA.** Es responsabilidad del empleador imponer el uso de equipos protectores de seguridad apropiados a los operadores de la herramienta y demás personas cerca del área de trabajo.

Mantenimiento y uso de la herramienta eléctrica

Seguridad personal

1. **Manténgase alerta, preste atención a lo que está haciendo y utilice su sentido común cuando opere una herramienta eléctrica. No utilice una herramienta eléctrica cuando esté cansado o bajo la influencia de drogas, alcohol o medicamentos.** Un momento de distracción mientras opera las herramientas eléctricas puede terminar en una lesión grave.
2. **Use equipo de protección personal. Póngase siempre protección para los ojos.** El equipo protector tal como máscara contra el polvo, zapatos de seguridad antiderrapantes, casco rígido y protección para oídos utilizado en las condiciones apropiadas reducirá el riesgo de lesiones.
3. **Impida el encendido accidental. Asegúrese de que el interruptor esté en la posición de apagado antes de conectar a la alimentación eléctrica y/o de colocar el cartucho de batería, así como al levantar o cargar la herramienta.** Cargar las herramientas eléctricas con su dedo en el interruptor o enchufarlas con el interruptor encendido hace que los accidentes sean comunes.
4. **Retire cualquier llave de ajuste o llave de apriete antes de encender la herramienta.** Una llave de ajuste o llave de apriete que haya sido dejada puesta en una parte giratoria de la herramienta eléctrica puede ocasionar alguna lesión.
5. **No utilice la herramienta donde no alcance. Mantenga los pies sobre suelo firme y el equilibrio en todo momento.** Esto permite un mejor control de la herramienta eléctrica en situaciones inesperadas.
6. **Use una vestimenta apropiada. No use ropa suelta ni alhajas. Mantenga el cabello, la ropa y los guantes alejados de las piezas móviles.** Las prendas de vestir holgadas, las alhajas y el cabello largo suelto podrían engancharse en estas piezas móviles.
1. **No fuerce la herramienta eléctrica. Utilice la herramienta eléctrica correcta para su aplicación.** La herramienta eléctrica adecuada hará un mejor trabajo y de forma más segura a la velocidad para la que ha sido fabricada.
2. **No utilice la herramienta eléctrica si el interruptor no la enciende y apaga.** Cualquier herramienta eléctrica que no pueda ser controlada con el interruptor es peligrosa y debe ser reemplazada.
3. **Desconecte la clavija de la fuente de alimentación y/o retire la batería de la herramienta eléctrica, en caso de ser removible, antes de realizar ajustes, cambiar accesorios o almacenar las herramientas eléctricas.** Tales medidas de seguridad preventivas reducirán el riesgo de poner en marcha la herramienta eléctrica de forma accidental.
4. **Guarde la herramienta eléctrica que no use fuera del alcance de los niños y no permita que las personas que no están familiarizadas con ella o con las instrucciones la operen.** Las herramientas eléctricas son peligrosas en manos de personas que no saben operarlas.
5. **Dé mantenimiento a las herramientas eléctricas y los accesorios. Compruebe que no haya piezas móviles desalineadas o estancadas, piezas rotas y cualquier otra condición que pueda afectar al funcionamiento de la herramienta eléctrica. Si la herramienta eléctrica está dañada, haga que la reparen antes de utilizarla.** Muchos de los accidentes son ocasionados por no dar un mantenimiento adecuado a las herramientas eléctricas.
6. **Mantenga las herramientas de corte limpias y filosas.** Si recibe un mantenimiento adecuado y tiene los bordes afilados, es probable que la herramienta se atasque menos y sea más fácil controlarla.
7. **Utilice la herramienta eléctrica, los accesorios y las brocas de acuerdo con estas instrucciones, considerando las condiciones laborales y el trabajo a realizar.** Si utiliza la herramienta eléctrica para realizar operaciones distintas de las indicadas, podrá presentarse una situación peligrosa.

Advertencias de seguridad para el cortador inalámbrico

8. **Mantenga los mangos y superficies de asiento secos, limpios y libres de aceite o grasa.** Los mangos y superficies de asiento resbalosos no permiten una manipulación segura ni el control de la herramienta en situaciones inesperadas.
9. **Cuando vaya a utilizar esta herramienta, evite usar guantes de trabajo de tela ya que éstos podrían atorarse.** Si los guantes de trabajo de tela llegan a atorarse en las piezas móviles, esto podría ocasionar lesiones personales.

Uso y cuidado de la herramienta a batería

1. **Recargue sólo con el cargador especificado por el fabricante.** Un cargador que es adecuado para un solo tipo de batería puede generar riesgo de incendio al ser utilizado con otra batería.
2. **Utilice las herramientas eléctricas solamente con las baterías designadas específicamente para ellas.** La utilización de cualquier otra batería puede crear un riesgo de lesiones o incendio.
3. **Cuando no se esté usando la batería, manténgala alejada de otros objetos metálicos, como sujetapapeles (clips), monedas, llaves, clavos, tornillos u otros objetos pequeños de metal los cuales pueden actuar creando una conexión entre las terminales de la batería.** Originar un cortocircuito en las terminales puede causar quemaduras o incendios.
4. **En condiciones abusivas, podrá escapar líquido de la batería; evite tocarlo. Si lo toca accidentalmente, enjuague con agua. Si hay contacto del líquido con los ojos, busque asistencia médica.** Puede que el líquido expulsado de la batería cause irritación o quemaduras.
5. **No utilice una herramienta ni una batería que estén dañadas o hayan sido modificadas.** Las baterías dañadas o modificadas podrían ocasionar una situación inesperada provocando un incendio, explosión o riesgo de lesiones.
6. **No exponga la herramienta ni la batería al fuego ni a una temperatura excesiva.** La exposición al fuego o a una temperatura superior a los 130 °C podría causar una explosión.
7. **Siga todas las instrucciones para la carga y evite cargar la herramienta o la batería fuera del rango de temperatura especificado en las instrucciones.** Una carga inadecuada o a una temperatura fuera del rango especificado podría dañar la batería e incrementar el riesgo de incendio.

Servicio

1. **Haga que una persona calificada repare la herramienta eléctrica utilizando sólo piezas de repuesto idénticas.** Esto asegura que se mantenga la seguridad de la herramienta eléctrica.
2. **Nunca dé servicio a baterías que estén dañadas.** El servicio a las baterías solamente deberá ser efectuado por el fabricante o un agente de servicio autorizado.
3. **Siga las instrucciones para la lubricación y cambio de accesorios.**
4. **No modifique ni intente reparar el aparato ni el paquete de baterías salvo como se indique en las instrucciones para el uso y cuidado.**

1. **El protector que se incluye con la herramienta debe quedar bien instalado y colocado en la herramienta eléctrica para garantizar la máxima seguridad, de tal manera que el operador esté lo menos expuesto posible a la rueda. Usted y las personas alrededor deberán mantenerse alejados del plano de la rueda giratoria.** El protector ayuda a proteger al operador de los fragmentos rotos de la rueda y del contacto accidental con la misma.
2. **Use solamente ruedas de corte de diamante o reforzadas adheridas para su herramienta eléctrica.** El que un accesorio pueda ensamblarse en su herramienta eléctrica no garantiza una operación segura.
3. **La velocidad especificada para el accesorio debe ser por lo menos la misma que la velocidad máxima marcada en la herramienta eléctrica.** Los accesorios que vayan a una velocidad mayor que su velocidad especificada pueden romperse y desintegrarse.
4. **Las ruedas deben usarse únicamente para las aplicaciones recomendadas.** Por ejemplo, no haga operaciones de esmerilado con la parte plana de la rueda cortadora. Las ruedas abrasivas de corte están diseñadas para el esmerilado periférico; las fuerzas aplicadas lateralmente a estas ruedas pueden ocasionar que se rompan en pedazos.
5. **Siempre utilice bridas de rueda sin daños que sean del diámetro correcto para la rueda seleccionada.** Las bridas de rueda adecuadas soportan la rueda reduciendo así la posibilidad de rotura de la rueda.
6. **No utilice ruedas reforzadas que estén desgastadas de herramientas eléctricas más grandes.** Las ruedas diseñadas para una herramienta eléctrica más grande no son adecuadas para la velocidad mayor de una herramienta más pequeña y pueden reventarse.
7. **El diámetro externo y el grosor de su accesorio debe estar dentro de la capacidad indicada de su herramienta eléctrica.** Los accesorios de tamaño incorrecto no podrán ser protegidos ni controlados adecuadamente.
8. **El tamaño del eje de las ruedas y bridas se debe ajustar adecuadamente al eje de la herramienta eléctrica.** Las ruedas y bridas con orificios para ejes que no se ajusten al equipo de montaje de la herramienta eléctrica se desequilibrarán, vibrarán excesivamente y podrán causar la pérdida de control.
9. **No use ruedas dañadas. Antes de cada uso, inspeccione las ruedas para verificar que no haya grietas ni astillas. Si la herramienta eléctrica o la rueda llegan a caerse, inspeccione que no haya daños o instale una rueda que no esté dañada. Después de inspeccionar e instalar la rueda, colóquese usted y las personas alrededor lejos del plano de la rueda giratoria y haga funcionar la herramienta eléctrica a la velocidad máxima sin carga durante un minuto.** Las ruedas dañadas por lo general se romperán durante este tiempo de prueba.

10. **Use equipo de protección personal.** Dependiendo de la aplicación, use careta y gafas protectoras o de seguridad. Según resulte apropiado, use máscara contra polvo, protectores para oídos, guantes y mandil de trabajo que puedan detener pequeños fragmentos abrasivos o de la pieza de trabajo. La protección para los ojos deberá ser capaz de detener los residuos que salgan volando a causa de las distintas operaciones. La máscara contra polvo o respirador deberá ser capaz de filtrar las partículas generadas durante su operación. La exposición prolongada al ruido de alta intensidad podrá provocar pérdida auditiva.
11. **Mantenga a las personas alrededor a una distancia segura del área de trabajo. Cualquier persona que ingrese al área de trabajo deberá usar equipo de protección personal.** Los fragmentos de la pieza de trabajo o de una rueda rota podrán salir proyectados más allá del área inmediata de operación y causar lesiones.
12. **Cuando realice una operación en la que el accesorio de corte pueda entrar en contacto con cableado oculto, sujete la herramienta eléctrica únicamente por las superficies de sujeción aisladas.** Si el accesorio de corte entra en contacto con un cable con corriente, las piezas metálicas expuestas de la herramienta eléctrica se cargarán también de corriente y el operador podrá recibir una descarga eléctrica.
13. **Nunca deje la herramienta eléctrica hasta que el accesorio se haya detenido completamente.** La rueda giratoria puede agarrar la superficie y jalar la herramienta eléctrica haciendo que usted pierda el control sobre ella.
14. **No tenga encendida la herramienta eléctrica mientras la lleva cargando a un costado.** El contacto accidental con el accesorio giratorio podría enganchar su ropa y jalar el accesorio hacia su cuerpo.
15. **Limpie regularmente los orificios de ventilación de la herramienta eléctrica.** El ventilador del motor atraerá el polvo hacia el interior de la carcasa y la acumulación excesiva de polvo metálico podrá ocasionar riesgos eléctricos.
16. **No utilice la herramienta eléctrica cerca de materiales inflamables.** Las chispas pueden prender fuego a estos materiales.

Retrocesos bruscos y advertencias relacionadas

El retroceso brusco es una reacción repentina a un atoramiento o enganchamiento de la rueda giratoria. El atoramiento o enganchamiento ocasiona un rápido atascamiento de la rueda giratoria que a su vez causa que la herramienta eléctrica descontrolada sea forzada en la dirección opuesta al giro de la rueda en el punto de atascamiento. Por ejemplo, si una rueda abrasiva queda enganchada o atorada por la pieza de trabajo, el borde de la rueda que está entrando en el punto de atoramiento puede hundirse en la superficie del material haciendo que la rueda se salga o salte. La rueda podrá saltar hacia el operador o en dirección contraria a él, dependiendo de la dirección del movimiento de la rueda en el punto de atoramiento. Las ruedas abrasivas también pueden romperse en estas condiciones. El retroceso brusco es el resultado de un mal uso de la herramienta eléctrica y/o de procedimientos o condiciones de operación incorrectos y pueden evitarse tomando las precauciones adecuadas tal como se indica a continuación.

1. **Mantenga sujetada firmemente la herramienta eléctrica y posicione su cuerpo y brazo de manera que pueda resistir las fuerzas del retroceso brusco.** De estar disponible, utilice siempre el mango auxiliar para un control máximo durante un retroceso brusco o reacción de torsión durante la puesta en marcha de la herramienta. El operador puede controlar las reacciones de torsión o fuerzas del retroceso brusco siempre y cuando se tomen las precauciones adecuadas.
2. **Nunca coloque su mano cerca del accesorio giratorio.** El accesorio puede tener un retroceso brusco sobre su mano.
3. **No coloque su cuerpo en línea con la rueda giratoria.** El retroceso brusco proyectará la herramienta en dirección opuesta al movimiento de la rueda en el punto de enganchamiento.
4. **Tenga especial cuidado al trabajar en esquinas, bordes filosos, etc. Evite que el accesorio rebote o se enganche.** Las esquinas, bordes filosos o rebotes tienden a enganchar el accesorio giratorio y ocasionar la pérdida de control o un retroceso brusco.
5. **No coloque una cadena de sierra, disco para labrar madera, rueda de diamante segmentada con un espacio periférico de separación mayor a 10 mm, ni disco de sierra dentado.** Dichos discos generan un retroceso brusco y pérdida del control con frecuencia.
6. **Evite trabar la rueda o aplicar presión excesiva. No intente hacer un corte de profundidad excesiva.** Aplicar presión excesiva a la rueda incrementa la carga y susceptibilidad a que se tuerza o atore durante el corte, y de que se genere un retroceso brusco o rotura de la rueda.
7. **Cuando la rueda se atore o se interrumpa el corte por cualquier razón, apague la herramienta eléctrica y sosténgala sin moverla hasta que la rueda se detenga por completo. No intente nunca retirar la rueda del corte mientras la rueda esté moviéndose porque podría ocasionar un retroceso brusco.** Investigue y tome medidas correctivas para eliminar la causa del atoramiento de la rueda.
8. **Evite reiniciar la operación de corte en la pieza de trabajo. Permita que la rueda alcance su velocidad completa y se reintroduzca con cuidado en el corte.** La rueda puede atorarse, salirse del camino o generar un retroceso brusco si la herramienta eléctrica es reiniciada estando en la pieza de trabajo.
9. **Proporcione apoyo a los paneles o cualquier pieza de trabajo de gran tamaño para minimizar el riesgo de que la rueda se atore y dé un retroceso brusco.** Las piezas de trabajo grandes tienden a hundirse bajo su propio peso. Deben colocarse soportes bajo la pieza de trabajo a ambos lados de la rueda, cerca de la línea de corte y del borde de la pieza de trabajo.
10. **Tenga especial cuidado cuando realice un “corte de penetración” en las paredes existentes u otras áreas ciegas.** La parte saliente de la rueda puede cortar tuberías de gas o agua, así como cableado eléctrico u objetos que produzcan un retroceso brusco.

Advertencias de seguridad adicionales:






1. Antes de usar una rueda de diamante segmentada, asegúrese de que la rueda de diamante cuente con espacio periférico de separación entre los segmentos de 10 mm o menos, solo con un ángulo de corte negativo.
2. Nunca intente cortar con la herramienta sostenida de cabeza en un tornillo de banco. Esto puede provocar accidentes graves, ya que es extremadamente peligroso.
3. Algunos materiales contienen sustancias químicas que pueden ser tóxicas. Tome precauciones para evitar la inhalación de polvo o que éste tenga contacto con la piel. Consulte la hoja de seguridad de materiales del proveedor.
4. Almacene las ruedas de acuerdo con las recomendaciones del fabricante. Un almacenamiento inadecuado podría dañar las ruedas.
5. Utilice siempre la rueda adecuada para su trabajo y para el material que va a cortar.
6. Examine el material que va a cortar antes de iniciar el corte. Si el material contiene sustancias explosivas o inflamables, podría causar una explosión o un incendio.
7. No encienda la herramienta si se atasca un objeto extraño entre el protector y la rueda. En este caso, desinstale el cartucho de la batería y retire el objeto extraño.
8. Siempre que sea posible, utilice abrazaderas o elementos similares para sujetar la pieza de trabajo.
9. Póngase siempre protección para los oídos durante la operación.
10. No corte materiales de madera con esta herramienta.
11. El diámetro externo y el grosor de la rueda debe estar dentro de la capacidad indicada de su herramienta eléctrica. Las ruedas de tamaño incorrecto no podrán ser protegidas ni controladas adecuadamente.
12. Cuando opere la herramienta eléctrica, mantenga sujetada firmemente con ambas manos la herramienta eléctrica y posicione su cuerpo y brazo de manera que pueda resistir las fuerzas del retroceso brusco.
13. Mantenga las manos o la cara alejadas de la rueda giratoria.
14. Ajuste la cubierta de la rueda a una posición adecuada para su trabajo.
15. Cuando utilice la herramienta sobre suelo embarrado, inclinaciones mojadas o superficies resbalosas, tenga cuidado al pisar.
16. No sumerja la herramienta en los charcos.
17. No deje la herramienta desatendida a la intemperie bajo la lluvia.
18. No reemplace la batería bajo la lluvia.
19. Almacene la herramienta lejos de la lluvia y la luz directa del sol y en un sitio donde no haga calor ni haya humedad.

GUARDE ESTAS INSTRUCCIONES.

ADVERTENCIA: NO DEJE que la comodidad o familiaridad con el producto (a base de utilizarlo repetidamente) sustituya la estricta observancia de las normas de seguridad para dicho producto. **El MAL USO o el no seguir las normas de seguridad establecidas en este manual de instrucciones puede ocasionar lesiones personales graves.**

Símbolos

A continuación se muestran los símbolos utilizados para la herramienta.

	diámetro
	volts o voltios
	corriente directa o continua
	velocidad especificada
	revoluciones o alternaciones por minuto, frecuencia de rotación

Instrucciones importantes de seguridad para el cartucho de batería

1. Antes de utilizar el cartucho de batería, lea todas las instrucciones e indicaciones de precaución en el (1) el cargador de batería, (2) la batería, y (3) el producto con el que se utiliza la batería.
2. No desarme ni modifique el cartucho de batería. Podría ocurrir un incendio, calor excesivo o una explosión.
3. Si el tiempo de operación se ha acortado en exceso, deje de operar de inmediato. Podría correrse el riesgo de sobrecalentamiento, posibles quemaduras e incluso explosión.
4. En caso de que ingresen electrolitos en sus ojos, enjuáguelos bien con agua limpia y consulte de inmediato a un médico. Esto podría ocasionar pérdida de visión.
5. Evite cortocircuitar el cartucho de batería:
 - (1) No toque las terminales con ningún material conductor.
 - (2) Evite guardar el cartucho de batería en un cajón junto con otros objetos metálicos, tales como clavos, monedas, etc.
 - (3) No exponga el cartucho de batería al agua o la lluvia.Un cortocircuito en la batería puede causar un flujo grande de corriente, sobrecalentamiento, posibles quemaduras e incluso una descompostura.
6. No guarde ni utilice la herramienta y el cartucho de batería en lugares donde la temperatura pueda alcanzar o exceder los 50 °C (122 °F).

7. **Nunca incinere el cartucho de batería incluso en el caso de que esté dañado seriamente o ya no sirva en absoluto. El cartucho de batería puede explotar si se tira al fuego.**
8. **No clave, corte, aplaste, lance o deje caer el cartucho de batería, ni golpee un objeto sólido contra el cartucho de batería.** Dicha acción podría resultar en un incendio, calor excesivo o en una explosión.
9. **No use una batería dañada.**
10. **Las baterías de ión de litio están sujetas a los requisitos reglamentarios en materia de bienes peligrosos.**
Para el transporte comercial, por ej., mediante terceros o agentes de transporte, se deben tomar en cuenta los requisitos especiales relativos al empaque y el etiquetado.
Para efectuar los preparativos del artículo que se va a enviar, se requiere consultar a un experto en materiales peligrosos. Si es posible, consulte además otras regulaciones nacionales más detalladas.
Pegue o cubra con cinta adhesiva los contactos abiertos y empaque la batería de manera que ésta no pueda moverse dentro del paquete.
11. **Para deshacerse del cartucho de batería, sáquelo de la herramienta y deséchelo en un lugar seguro. Siga las regulaciones locales relacionadas al desecho de las baterías.**
12. **Utilice las baterías únicamente con los productos especificados por Makita.** Instalar las baterías en productos que no cumplan con los requisitos podría ocasionar un incendio, un calentamiento excesivo, una explosión o una fuga de electrolito.
13. **Si no se utiliza la herramienta por un período largo, debe extraerse la batería de la herramienta.**
14. **El cartucho de batería podría absorber calor durante y después de su uso, lo que ocasionaría quemaduras o quemaduras a baja temperatura. Tenga cuidado con la manipulación de los cartuchos de batería que estén calientes.**
15. **No toque el terminal de la herramienta inmediatamente después de su uso, ya que el mismo podría estar lo suficientemente caliente como para provocar quemaduras.**
16. **No permita que las rebabas, el polvo o la tierra queden atrapados en los terminales, orificios y ranuras del cartucho de batería.** Podría provocar calentamiento, incendio, explosión y mal funcionamiento de la herramienta o del cartucho de batería, lo que resultaría en quemaduras o lesiones personales.
17. **No utilice el cartucho de batería cerca de cables eléctricos de alto voltaje, a menos que la herramienta sea compatible con el uso cercano a estos cables eléctricos de alto voltaje.** Esto podría ocasionar una avería o descomposición de la herramienta o del cartucho de batería.
18. **Mantenga la batería alejada de los niños.**

⚠PRECAUCIÓN: Utilice únicamente baterías originales de Makita. El uso de baterías no originales de Makita, o de baterías alteradas, puede ocasionar que las baterías exploten causando un incendio, lesiones personales y daños. Asimismo, esto invalidará la garantía de Makita para la herramienta y el cargador Makita.

Consejos para alargar al máximo la vida útil de la batería

1. **Cargue el cartucho de batería antes de que se descargue completamente. Pare siempre la operación y cargue el cartucho de batería cuando note menos potencia en la herramienta.**
2. **No cargue nunca un cartucho de batería que esté completamente cargado. La sobrecarga acortará la vida de servicio de la batería.**
3. **Cargue el cartucho de batería a una temperatura ambiente de 10 °C - 40 °C (50 °F - 104 °F). Si un cartucho de batería está caliente, déjelo enfriar antes de cargarlo.**
4. **Cuando no utilice el cartucho de batería, sáquelo de la herramienta o del cargador.**
5. **Cargue el cartucho de batería si no va a utilizarlo durante un período prolongado (más de seis meses).**

GUARDE ESTAS INSTRUCCIONES.

DESCRIPCIÓN DE LAS PIEZAS

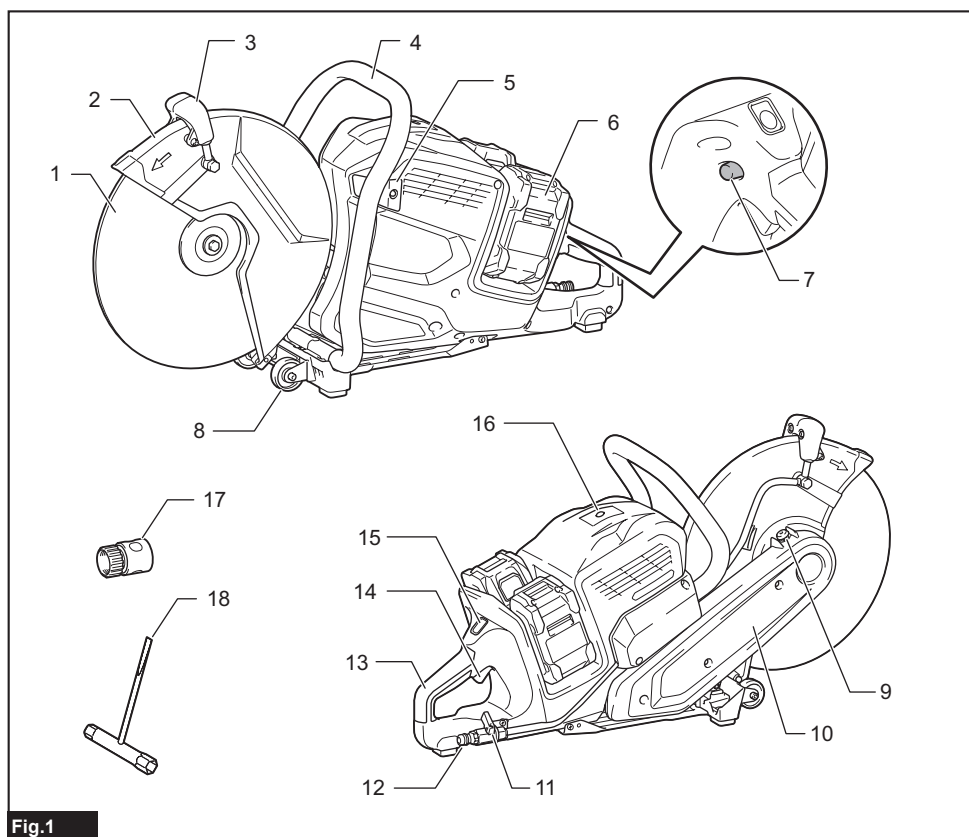


Fig.1

1	Rueda cortadora abrasiva / rueda de diamante	2	Protector de la rueda	3	Empuñadura de la cubierta de la rueda	4	Empuñadura delantera
5	Lámpara	6	Cartucho de batería	7	Botón de desbloqueo	8	Rueda
9	Botón de bloqueo del eje	10	Cubierta (para la correa en V)	11	Llave	12	Entrada para agua
13	Mango	14	Gatillo interruptor	15	Botón de la lámpara	16	Indicador de sobrecarga
17	Manguito del acoplamiento	18	Llave de ojo	-	-	-	-

DESCRIPCIÓN DEL FUNCIONAMIENTO

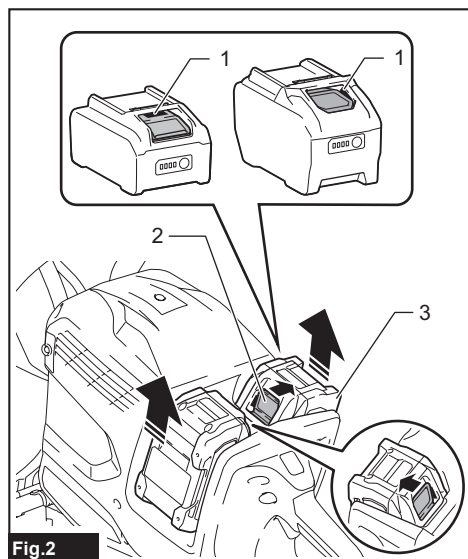
⚠️ PRECAUCIÓN: Asegúrese siempre de que la herramienta esté apagada y el cartucho de batería haya sido extraído antes de realizar cualquier ajuste o comprobación en la herramienta.

Instalación o extracción del cartucho de batería

⚠️ PRECAUCIÓN: Apague siempre la herramienta antes de colocar o quitar el cartucho de batería.

⚠️ PRECAUCIÓN: Sujete la herramienta y el cartucho de la batería con firmeza al colocar o quitar el cartucho de batería. Si no se sujeta con firmeza la herramienta y el cartucho de batería, puede ocasionar que se resbalen de sus manos causando daños a la herramienta y al cartucho de batería, así como lesiones a la persona.

Para instalar el cartucho de batería, alinee la lengüeta del cartucho de batería con la ranura en la carcasa y deslícela hasta su lugar. Insértelo por completo hasta que quede asegurado en su lugar haciendo un pequeño clic. Si puede ver el indicador rojo del lado superior del botón, esto indica que no ha quedado fijo por completo.



► 1. Indicador rojo 2. Botón 3. Cartucho de batería

Para extraer los cartuchos de batería, levante el cartucho de batería mientras oprime el botón en la parte delantera del cartucho.

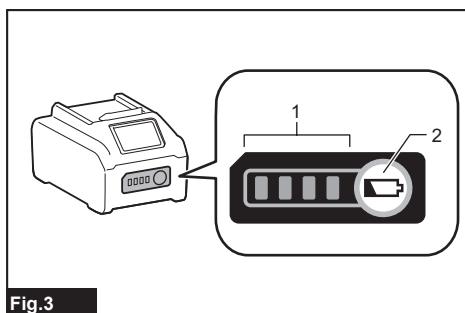
⚠️ PRECAUCIÓN: Introduzca siempre completamente el cartucho de batería hasta que el indicador rojo no pueda verse. Si no, podría accidentalmente salirse de la herramienta y caer al suelo causando una lesión a usted o alguien a su alrededor.

⚠️ PRECAUCIÓN: No instale el cartucho de batería a la fuerza. Si el cartucho no se desliza al interior fácilmente, se debe a que no está siendo insertado correctamente.

NOTA: La herramienta no funciona con un solo cartucho de batería.

Indicación de la capacidad restante de la batería

Oprima el botón de verificación en el cartucho de la batería para que indique la capacidad restante de la batería. Las luces indicadoras se iluminarán por algunos segundos.



► 1. Luces indicadoras 2. Botón de verificación

Luces indicadoras			Capacidad restante
Iluminadas	Apagadas	Parpadeando	
■ ■ ■ ■			75% a 100%
■ ■ ■ □			50% a 75%
■ ■ □ □			25% a 50%
■ □ □ □			0% a 25%
▣ □ □ □			Cargar la batería.
■ ■ □ □			La batería pudo haber funcionado mal.
□ □ ■ ■			

NOTA: Dependiendo de las condiciones de uso y la temperatura ambiente, la indicación podrá diferir ligeramente de la capacidad real.

NOTA: La primera luz indicadora (extrema izquierda) parpadeará cuando el sistema de protección de batería esté en funcionamiento.

Sistema de protección para la herramienta/batería

La herramienta está equipada con un sistema de protección para la herramienta/batería. Este sistema corta en forma automática el suministro de energía al motor para prolongar la vida útil de la herramienta y la batería. La herramienta se detendrá automáticamente durante la operación si la herramienta o la batería se someten a una de las siguientes condiciones. En algunas condiciones, los indicadores pueden encenderse.

Protección contra sobrecarga

Cuando la herramienta/batería sean utilizadas de una manera que cause que consuman una cantidad inusualmente alta de corriente, la herramienta se detendrá automáticamente. En este caso, apague la herramienta y detenga la aplicación que causó que la herramienta se sobrecargara. Luego encienda la herramienta para reiniciarla.

Protección contra sobrecalentamiento

Cuando la herramienta/batería se sobrecalienten, la herramienta se detendrá automáticamente y la lámpara parpadeará. En este caso, permita que la herramienta se enfríe antes de volver a encenderla.

Protección contra sobredescarga

Cuando la capacidad de la batería sea baja, la herramienta se detendrá automáticamente y la luz indicadora del cartucho de batería parpadeará. Si la herramienta no funciona aun con los interruptores activados, retire las baterías de la herramienta y cárguelas.

Protección contra otras causas

El sistema de protección también está diseñado para otras causas que podrían dañar la herramienta, y permite que la herramienta se detenga automáticamente. Siga todos los pasos a continuación para eliminar las causas cuando la herramienta se haya detenido temporalmente o se haya detenido durante el funcionamiento.

1. Apague la herramienta, y luego enciéndala nuevamente para reiniciarla.
2. Cargue la(s) batería(s) o reemplácela(s) con batería(s) recargada(s).
3. Deje que la máquina y la(s) batería(s) se enfríen.

Si no hay ninguna mejora al restaurar el sistema de protección, comuníquese con su centro local de servicio Makita.

AVISO: Si la herramienta se detiene debido a una causa no descrita anteriormente, consulte la sección de detección y solución de problemas.

Alerta de sobrecarga

Si la herramienta es operada con una carga excesiva, el indicador de sobrecarga parpadeará en color rojo. En esta situación, reduzca la carga en la herramienta. Entonces, el indicador deja de parpadear.

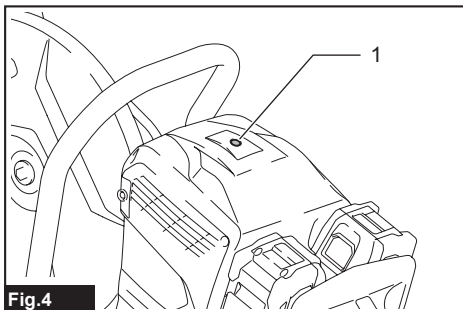


Fig.4

► 1. Indicador de sobrecarga

Accionamiento del interruptor

⚠ADVERTENCIA: Antes de insertar el cartucho de batería en la herramienta, compruebe siempre y cerciórese de que el gatillo interruptor se acciona debidamente y que vuelve a la posición "OFF" (apagado) cuando lo suelta.

⚠ADVERTENCIA: NUNCA inhabilite el botón de desbloqueo manteniéndolo presionado con cinta adhesiva o mediante otro método. El uso de un botón de desbloqueo inhabilitado puede ocasionar una operación accidental y lesiones personales graves.

⚠ADVERTENCIA: NUNCA use la herramienta si se activa simplemente al jalar el gatillo interruptor sin que haya presionado el botón de desbloqueo. El uso de un interruptor que requiere reparación puede ocasionar una activación no intencional la cual puede causar graves lesiones personales. Regrese la herramienta al centro de servicio Makita para las reparaciones apropiadas ANTES de continuar su uso.

Para evitar que el gatillo interruptor sea jalado accidentalmente, se proporciona un botón de desbloqueo. Para arrancar la herramienta, oprima el botón de desbloqueo y jale el gatillo interruptor. Para detenerla, suelte el gatillo interruptor.

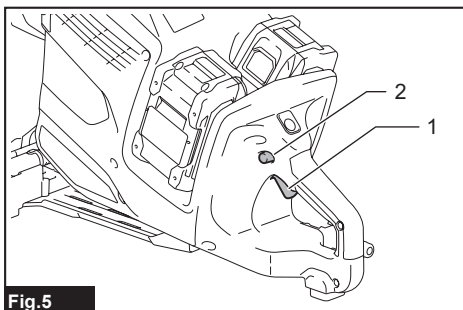


Fig.5

► 1. Gatillo interruptor 2. Botón de desbloqueo

AVISO: No jale fuertemente el gatillo interruptor sin presionar el botón de desbloqueo. Esto podría dañar el interruptor.

Encendido de la lámpara

PRECAUCIÓN: No mire a la luz ni vea a la fuente de luz directamente.

Para encender la lámpara, oprima el botón de la lámpara. Para apagar la herramienta, vuelva a oprimir el botón de la lámpara.

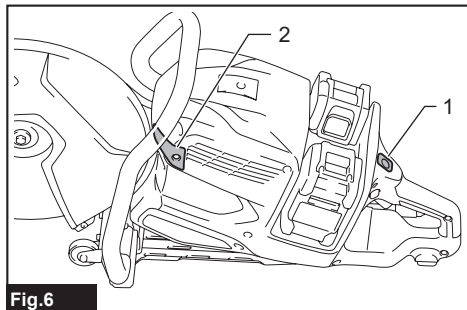


Fig.6

► 1. Botón de la lámpara 2. Lámpara

NOTA: La lámpara se apagará automáticamente si no se realiza ninguna operación con la herramienta durante 1 minuto.

Ajuste de la cubierta de la rueda

Sujete la empuñadura de la cubierta de la rueda y ajuste la posición de la cubierta de la rueda adecuada para su trabajo.

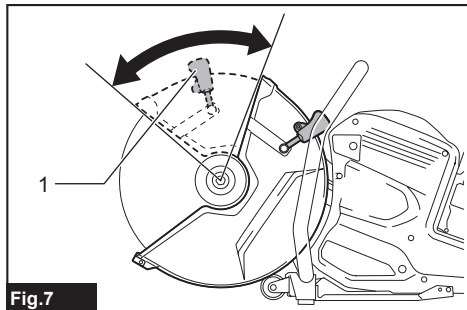


Fig.7

► 1. Empuñadura de la cubierta de la rueda

Tecnología de detección de retroalimentación activa

La herramienta detecta electrónicamente las situaciones en las que hay riesgo de que la rueda pueda quedar atascada. En este caso, la herramienta se apaga automáticamente para evitar que el eje siga girando (esto no evita el retroceso brusco). Para volver a arrancar la herramienta, apague primero la herramienta, elimine la causa del descenso repentino en la velocidad de rotación y luego encienda la herramienta.

Freno eléctrico

El freno eléctrico es activado una vez que la herramienta se ha apagado.

El freno no funciona cuando el suministro de corriente es desconectado, por ejemplo si la batería es retirada accidentalmente, aun con el interruptor encendido.

MONTAJE

PRECAUCIÓN: Asegúrese siempre de que la herramienta esté apagada y el cartucho de batería haya sido extraído antes de realizar cualquier trabajo en la misma.

Instalación o extracción de la rueda cortadora abrasiva / rueda de diamante

PRECAUCIÓN: Use solamente la llave Makita para instalar o extraer la rueda.

PRECAUCIÓN: Cuando instale la rueda, asegúrese de apretar el perno firmemente.

PRECAUCIÓN: No oprima el botón de bloqueo del eje cuando la rueda esté girando.

Para extraer la rueda, oprima el botón de bloqueo del eje y gire la rueda hasta que esta no pueda girar más. Mientras el bloqueo del eje está totalmente bloqueado, gire el perno hexagonal en sentido inverso al de las manecillas del reloj mediante la llave de bujías. Luego, retire el perno hexagonal, la brida, la rueda, el anillo y la brida en orden.

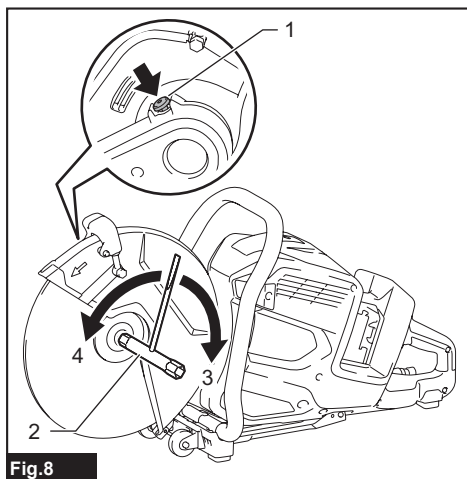


Fig.8

► 1. Botón de bloqueo del eje 2. Llave de ojo
3. Apretar 4. Aflojar

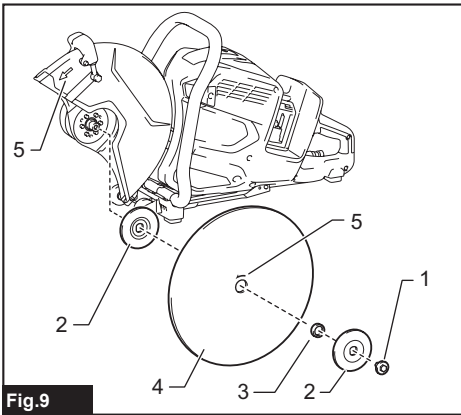


Fig.9

- 1. Perno hexagonal 2. Brida 3. Anillo 4. Rueda cortadora abrasiva / rueda de diamante 5. Flecha (dirección de rotación de la rueda)

Para instalar la rueda, siga el procedimiento de extracción en orden inverso.

ASEGÚRESE DE APRETAR EL PERNO HEXAGONAL CON FIRMEZA.

⚠PRECAUCIÓN: Siempre instale la rueda de tal forma que la flecha en esta apunte en la misma dirección que la flecha en el protector de la rueda. De lo contrario, la rueda girará al revés y podría ocasionar lesiones personales.

⚠PRECAUCIÓN: Utilice únicamente la rueda marcada con una velocidad igual o mayor a la velocidad marcada en la herramienta.

NOTA: Cuando instale la rueda, asegúrese de colocar las bridas de modo que el lado plano de la brida mire hacia la rueda, y coloque el anillo que coincida con el diámetro interior de la rueda.

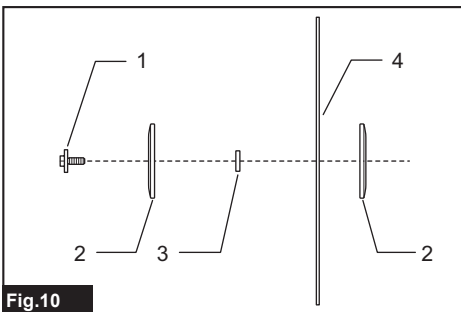


Fig.10

- 1. Perno hexagonal 2. Brida 3. Anillo 4. Rueda cortadora abrasiva / rueda de diamante

Conexión al suministro de agua

1. Prepare una manguera de agua.
2. Conecte el manguito del acoplamiento a la manguera de agua, girando el manguito del acoplamiento.

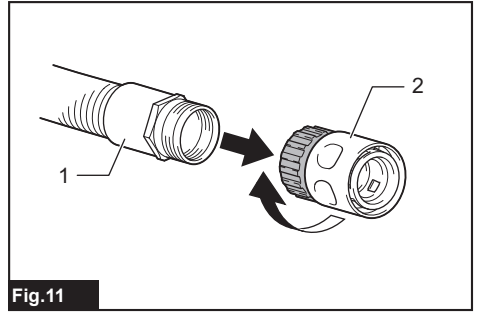


Fig.11

- 1. Manguera de agua 2. Manguito del acoplamiento

3. Conecte la manguera de agua al suministro de agua.

Cuando conecte a una toma de agua, utilice un aditamento adecuado como una banda para manguera o junta para llave de agua.

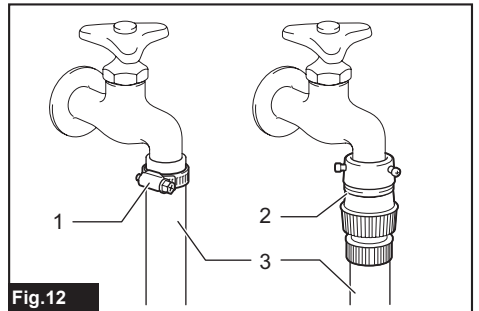


Fig.12

- 1. Banda para manguera 2. Junta para llave de agua 3. Manguera de agua

NOTA: El accesorio dependerá de la forma que tenga la toma de agua donde vaya a realizar la conexión. Tenga listo un accesorio adecuado adquirido en el mercado.

NOTA: Si utiliza una junta para llave de agua, prepare otro manguito de acoplamiento y fíjelo en el otro extremo de la manguera.

NOTA: Cuando utilice una bomba para agua, siga las instrucciones de su bomba de agua para conectar la manguera de agua.

4. Empuje el manguito del acoplamiento en la entrada para agua hasta que quede asegurado con un clic.

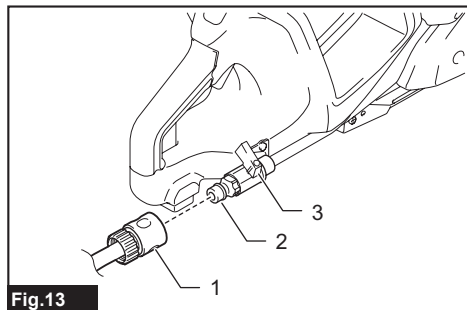


Fig.13

- 1. Manguito del acoplamiento 2. Entrada para agua 3. Llave

AVISO: Mantenga la llave cerrada hasta que inicie la operación de corte con la alimentación de agua. Para instrucciones sobre cómo alimentar agua, consulte la sección para la operación.

OPERACIÓN

⚠PRECAUCIÓN: Asegúrese de sujetar firmemente la pieza de trabajo hacia abajo sobre un banco o mesa estable durante la operación.

⚠PRECAUCIÓN: No tuerza ni fuerce la herramienta durante el corte, ya que el motor podría sobrecargarse o la pieza de trabajo podría romperse.

Corte

⚠PRECAUCIÓN: Durante la operación, no eleve la herramienta más alto que la altura de su hombro.

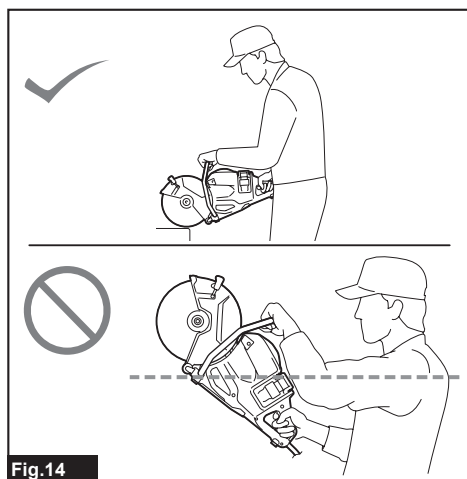


Fig.14

Sostenga la herramienta firmemente. Agarre el mango con su mano derecha y la empuñadura delantera con su mano izquierda. Para evitar descargas eléctricas al cortar accidentalmente un cable eléctrico, sostenga siempre la empuñadura delantera por la porción designada, como se muestra en la figura.

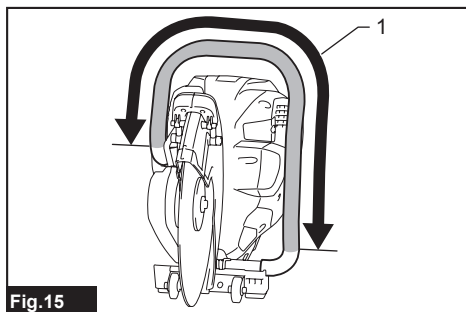


Fig.15

- 1. Parte a sostener

Mueva la herramienta sobre la superficie de la pieza de trabajo, manteniéndola plana y avanzando suavemente hasta completar el corte. Mantenga su línea de corte recta y la velocidad de avance uniforme.

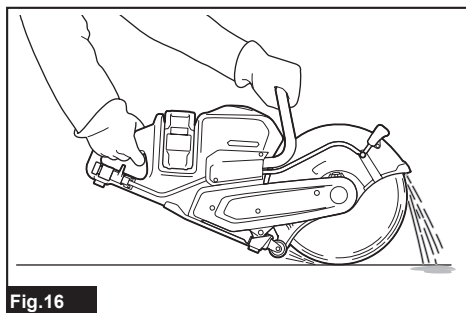


Fig.16

NOTA: Cuando la temperatura del cartucho de batería sea baja, es posible que la herramienta no funcione a toda su capacidad. En ese momento, use la herramienta, por ejemplo, para realizar cortes ligeros durante un rato hasta que el cartucho de batería se caliente y alcance la temperatura ambiente. Entonces, la herramienta podrá funcionar a toda su capacidad.

NOTA: Si la acción de corte de la rueda de diamante empieza a disminuir, afile el borde de corte de la rueda usando una rueda vieja para esmeriladora de banco de grano grueso que ya no utilice o un bloque de concreto. Afíle presionando ligeramente sobre el borde exterior de la rueda de diamante.

Cuando alimente agua durante el corte

⚠PRECAUCIÓN: Cuando utilice una rueda de diamante de tipo húmedo, siempre suministre agua durante el corte.

Conecte la herramienta al suministro de agua y gire la llave en la dirección de la flecha, como se ilustra. Ajuste la posición de la llave para obtener un flujo de agua moderado.

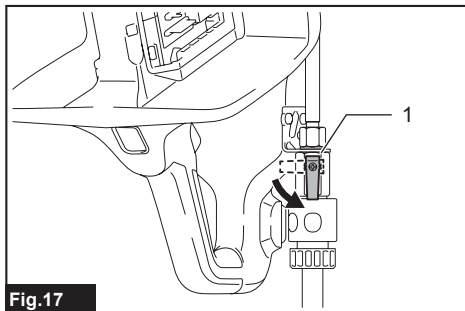


Fig.17

► 1. Llave

⚠PRECAUCIÓN: Cuando alimente agua, mantenga siempre la cabeza más baja que el cuerpo de la herramienta para evitar que ingrese el agua en el mecanismo de la herramienta. El no hacerlo podría ocasionar una descarga eléctrica.

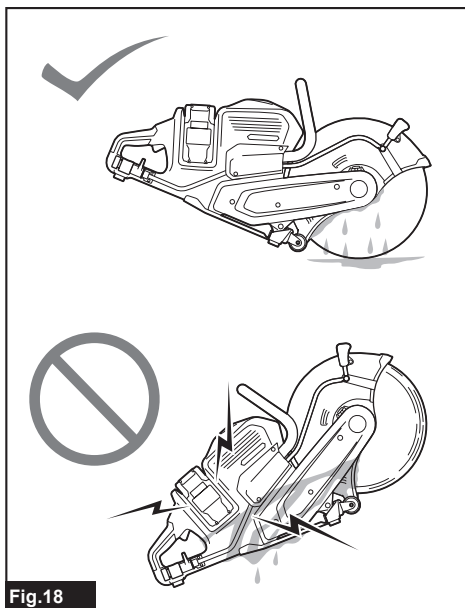


Fig.18

MANTENIMIENTO

⚠PRECAUCIÓN: Asegúrese siempre de que la herramienta esté apagada y el cartucho de batería extraído antes de intentar realizar una inspección o mantenimiento.

AVISO: Nunca use gasolina, bencina, diluyente (tiner), alcohol o sustancias similares. Puede que esto ocasione grietas o descoloramiento.

Para mantener la SEGURIDAD y FIABILIDAD del producto, las reparaciones, y cualquier otra tarea de mantenimiento o ajuste deberán ser realizadas en centros de servicio autorizados o de fábrica Makita, empleando siempre repuestos Makita.

Limpieza de la herramienta

Después de cada uso, retire los cartuchos de batería y la rueda y luego limpie el polvo, la suciedad o las virutas de metal acumuladas dentro del protector de la rueda. Limpie el cuerpo de la herramienta sacudiendo el polvo y la suciedad con un paño seco o un paño humedecido en agua jabonosa y exprimido. Utilice un paño seco para quitar la suciedad de la lente de la lámpara. Tenga cuidado de no rayar la lente de la lámpara ya que la iluminación podría disminuir.

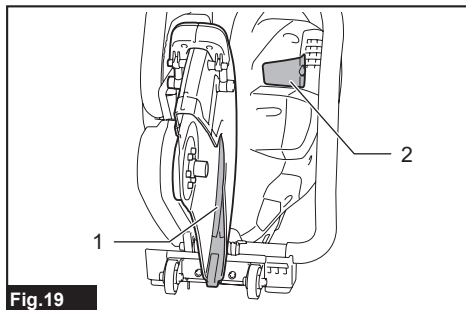


Fig.19

► 1. Protector de la rueda 2. Lente de la lámpara

Limpieza de la abertura de ventilación

Limpie regularmente los orificios de ventilación de la herramienta o siempre que los orificios empiecen a obstruirse.

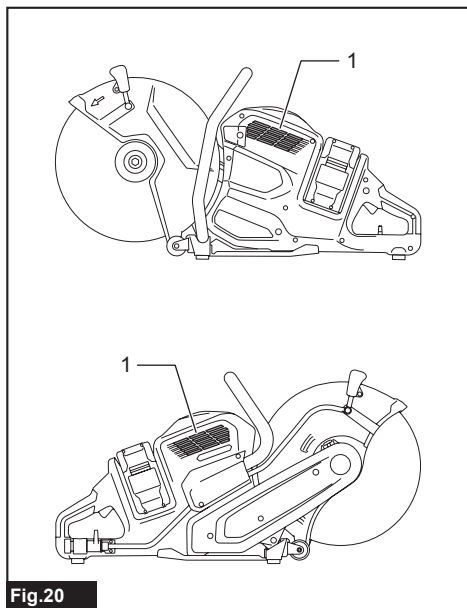


Fig.20

► 1. Abertura de ventilación de aire

Reemplazo de la correa de sincronización

1. Retire los cartuchos de batería y la rueda.
2. Afloje los pernos de cabeza hexagonal usando la punta de la llave de bujías, y luego retire la cubierta.

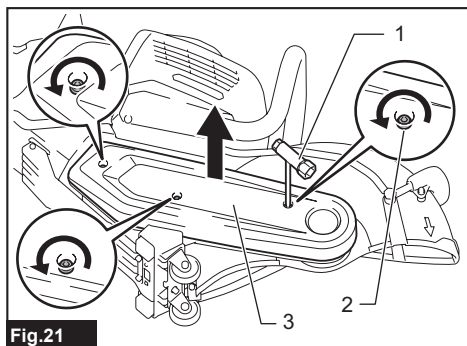


Fig.21

► 1. Llave de ojo 2. Perno de cabeza hexagonal
3. Cubierta

3. Presione el botón de bloqueo del eje y manténgalo presionado para bloquear la polea grande, y luego gire la tuerca en sentido inverso al de las manecillas del reloj con el extremo delgado de la llave de bujías.

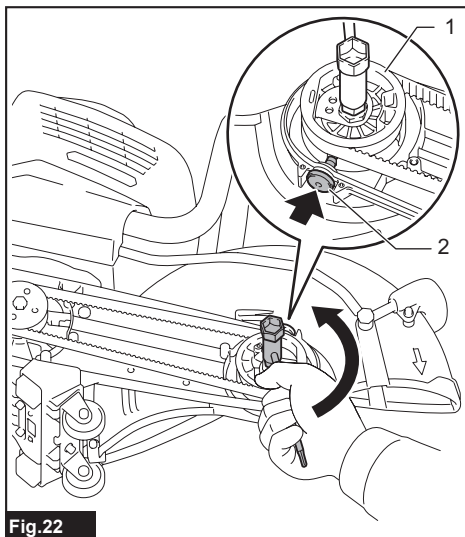


Fig.22

► 1. Polea grande 2. Botón de bloqueo del eje

4. Presione el botón de bloqueo del eje y manténgalo presionado para bloquear la polea grande, y luego gire el disco pequeño en sentido inverso al de las manecillas del reloj con el extremo grueso de la llave de bujías para aflojar la correa de sincronización.

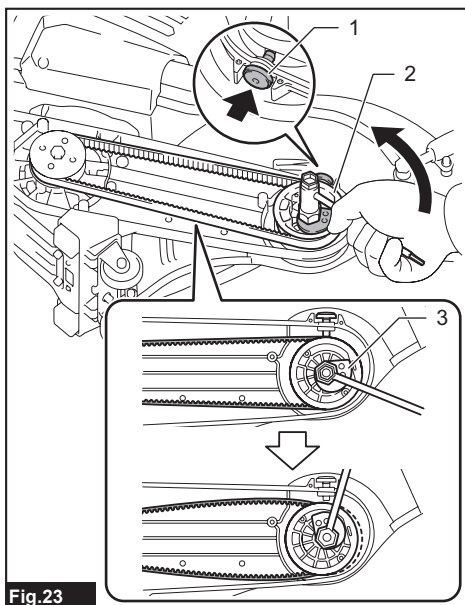


Fig.23

► 1. Botón de bloqueo del eje 2. Polea grande
3. Disco pequeño

5. Retire la correa.
6. Con las ranuras de la correa hacia dentro, coloque un extremo de la correa en la polea pequeña, y luego conecte el otro extremo de la correa a la polea grande.

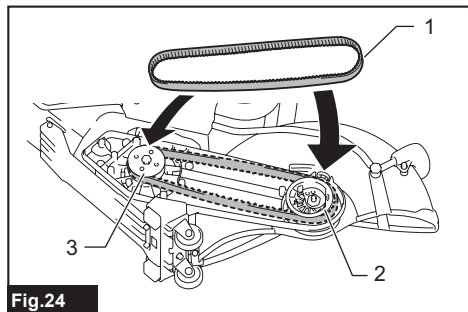


Fig.24

- 1. Correa 2. Polea grande 3. Polea pequeña

7. Presione el botón de bloqueo del eje y manténgalo presionado para bloquear la polea grande, y luego gire el disco pequeño en el sentido de las manecillas del reloj con el extremo grueso de la llave de bujías para apretar la correa.

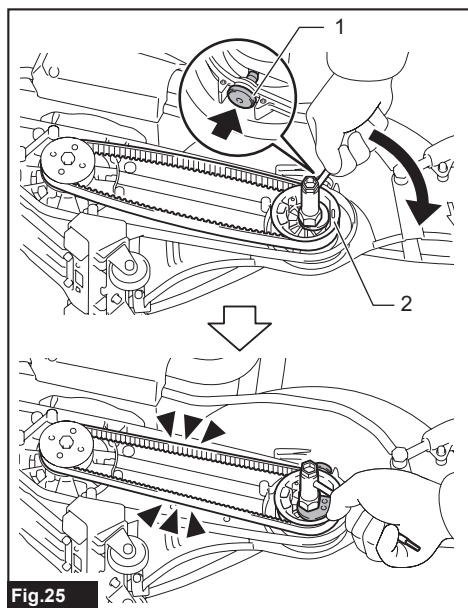


Fig.25

- 1. Botón de bloqueo del eje 2. Polea grande

NOTA: Asegúrese de que el disco pequeño esté en la posición que se muestra en la figura.

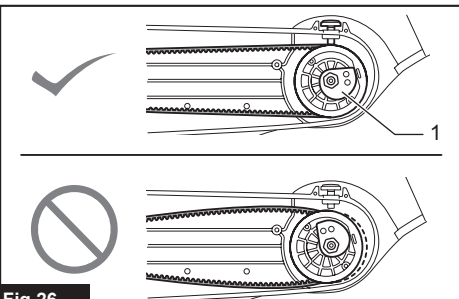


Fig.26

- 1. Disco pequeño

8. Presione el botón de bloqueo del eje y manténgalo presionado para bloquear la polea grande, y luego gire la tuerca en el sentido de las manecillas del reloj con el extremo delgado de la llave de bujías.

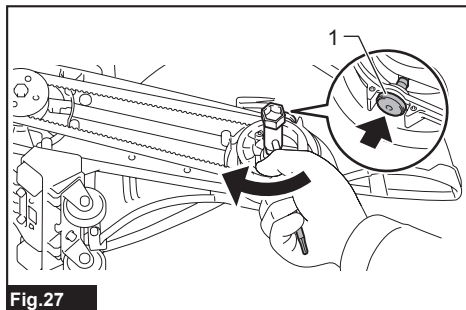


Fig.27

- 1. Botón de bloqueo del eje

NOTA: Cuando apriete la tuerca, aplique una torsión de 19 N·m - 21 N·m como torsión de apriete.

9. Coloque la cubierta, y luego apriete los pernos de cabeza hexagonal usando la punta de la llave de bujías.

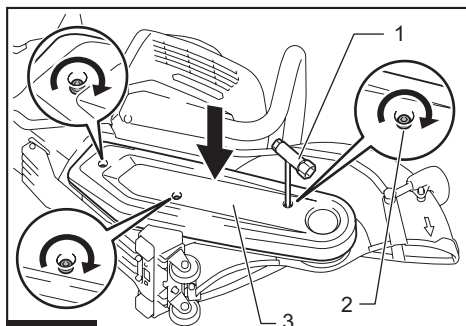


Fig.28

- 1. Llave de ojo 2. Perno de cabeza hexagonal 3. Cubierta

RESOLUCIÓN DE PROBLEMAS

Antes de solicitar alguna reparación, primero realice una inspección por su cuenta. Si detecta algún problema que no esté explicado en el manual, no intente desensamblar la herramienta. En vez de esto, solicite la reparación a un centro de servicio autorizado de Makita, usando siempre piezas de repuesto Makita.

Estado de la anomalía	Causa probable (avería)	Remedio
El motor no funciona.	Los cartuchos de la batería no están instalados.	Instale dos cartuchos de batería. Esta herramienta no funciona con un cartucho de batería.
	Problema con la batería (bajo voltaje)	Recargue la batería. Si la recarga no resulta eficaz, reemplace el cartucho de batería.
	El sistema de accionamiento no funciona correctamente.	Solicite la reparación en el centro de servicio autorizado de su localidad.
El motor deja de funcionar después de un rato de uso.	El nivel de carga de la batería es bajo.	Recargue la batería. Si la recarga no resulta eficaz, reemplace el cartucho de batería.
	Sobrecalentamiento.	Deje de usar la herramienta para permitir que se enfríe.
La rotación de la rueda no acelera adecuadamente incluso después de hacer funcionar la herramienta sin carga durante 20 segundos.	La batería está mal instalada.	Instale los cartuchos de batería tal como se describe en este manual.
	La potencia de la batería se está reduciendo.	Recargue los cartuchos de batería. Si la recarga no resulta eficaz, reemplace el cartucho de batería.
	La correa de sincronización se está patinando.	Reemplace la correa de sincronización con una nueva.
	El sistema de accionamiento no funciona correctamente.	Solicite la reparación en el centro de servicio autorizado de su localidad.
La rueda no gira: ⇒ ¡Detenga la máquina inmediatamente!	La correa de sincronización se está patinando.	Reemplace la correa de sincronización con una nueva.
	Un objeto extraño está atascado entre el protector y la rueda.	Desinstale los cartuchos de batería, y luego retire el objeto extraño.
	El sistema de accionamiento no funciona correctamente.	Solicite la reparación en el centro de servicio autorizado de su localidad.
Vibración anormal: ⇒ ¡Detenga la máquina inmediatamente!	Colocación inadecuada de la rueda.	Instale la rueda como se describe en este manual. Apriete el perno para asegurar la rueda firmemente.
	El sistema de accionamiento no funciona correctamente.	Solicite la reparación en el centro de servicio autorizado de su localidad.
La herramienta de corte y el motor no se pueden detener: ⇒ ¡Extraiga el cartucho de la batería inmediatamente!	Avería eléctrica o electrónica.	Extraiga los cartuchos de batería, y solicite la reparación en el centro de servicio autorizado de su localidad.
Desempeño de corte deficiente	Es momento de reemplazar la rueda.	Reemplace la rueda con una nueva.
El agua escurre de la entrada.	El agua escurre de la parte del anillo en O.	Solicite la reparación al centro de servicio autorizado de su localidad.

ACCESORIOS OPCIONALES

⚠PRECAUCIÓN: Estos accesorios o aditamentos están recomendados para utilizarse con su herramienta Makita especificada en este manual.

El empleo de cualquier otro accesorio o aditamento puede conllevar el riesgo de lesiones personales. Utilice los accesorios o aditamentos solamente para su fin establecido.

Si necesita cualquier ayuda para más detalles en relación con estos accesorios, pregunte a su centro de servicio local Makita.

- Rueda cortadora abrasiva
- Rueda de diamante
- Conjunto de anillo
- Correa de sincronización

- Manguito del acoplamiento
- Llave de bujías
- Batería y cargador originales de Makita

NOTA: Algunos de los artículos en la lista pueden incluirse en el paquete de la herramienta como accesorios estándar. Éstos pueden variar de país a país.

GARANTÍA LIMITADA DE MAKITA

Ésta Garantía no aplica para México

Consulte la hoja de la garantía anexa para ver los términos más vigentes de la garantía aplicable a este producto.

En caso de no disponer de esta hoja de garantía anexa, consulte los detalles sobre la garantía descritos en el sitio web de su país respectivo indicado a continuación.

Estados Unidos de América: www.makitatools.com

Canadá: www.makita.ca

Otros países: www.makita.com

< USA only >

WARNING

Some dust created by power sanding, sawing, grinding, drilling, and other construction activities contains chemicals known to the State of California to cause cancer, birth defects or other reproductive harm. Some examples of these chemicals are:

- lead from lead-based paints,
- crystalline silica from bricks and cement and other masonry products, and
- arsenic and chromium from chemically-treated lumber.

Your risk from these exposures varies, depending on how often you do this type of work. To reduce your exposure to these chemicals: work in a well ventilated area, and work with approved safety equipment, such as those dust masks that are specially designed to filter out microscopic particles.

< Sólo en los Estados Unidos >

ADVERTENCIA

Algunos polvos creados por el lijado, aserrado, esmerilado, taladrado y otras actividades de la construcción contienen sustancias químicas reconocidas por el Estado de California como causantes de cáncer, defectos de nacimiento y otros peligros de reproducción. Algunos ejemplos de estos productos químicos son:

- plomo de pinturas a base de plomo,
- sílice cristalino de ladrillos y cemento y otros productos de albañilería, y
- arsénico y cromo de maderas tratadas químicamente.

El riesgo al que se expone varía, dependiendo de la frecuencia con la que realice este tipo de trabajo. Para reducir la exposición a estos productos químicos: trabaje en un área bien ventilada y póngase el equipo de seguridad indicado, tal como las máscaras contra polvo que están especialmente diseñadas para filtrar partículas microscópicas.

Makita Corporation

3-11-8, Sumiyoshi-cho,
Anjo, Aichi 446-8502 Japan

www.makita.com

885944-902
GEC01-1
EN, ESMX
20211112