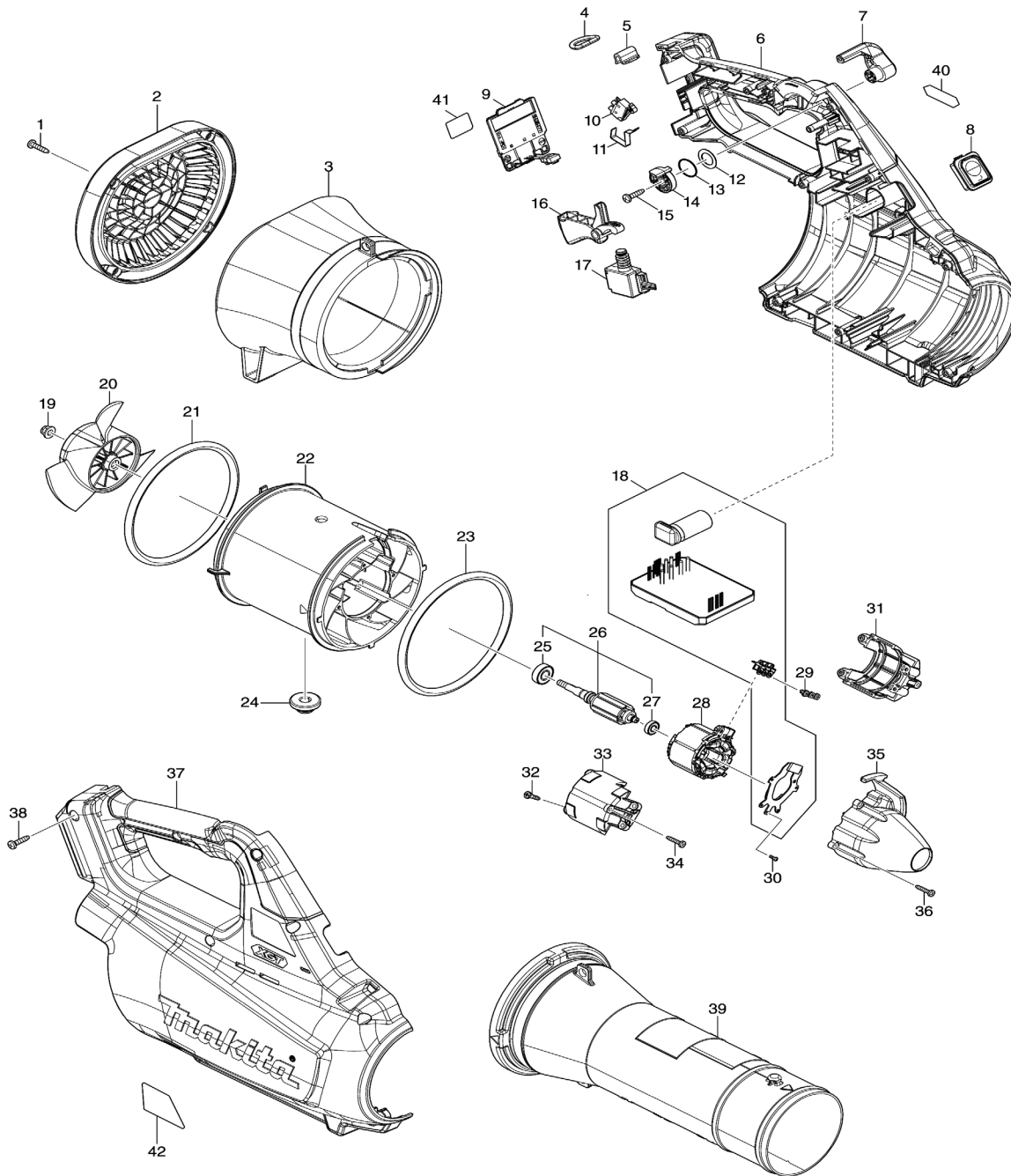




GBU01



Products with multiple versions are listed in subsiding order with the newest version on top not indented.

Section	Fig. No.	Part No.	Description	GBU01	Tech Bulletin	Notes
1	1	266326-2	TAPPING SCREW 4X18	4		
1	2	413368-9	REAR COVER	1		
1	3	140Y68-5	REAR HOUSING COMPLETE	1		
1	4	327742-4	D RING 20	1		
1	5	347783-4	RING SUPPORT	1		
1	6	183T08-0	HOUSING SET	1		INC. 37
1	7	412755-9	CONTROL LEVER	1		
1	8	140X08-7	SWITCH CIRCUIT COMPLETE	1		
1	9	632P65-6	TERMINAL UNIT	1		
1	10	632L48-2	SWITCH UNIT	1		
1	11	232634-3	LEAF SPRING	1		
1	12	253798-0	FLAT WASHER 13	1		
1	13	213154-6	O RING 14	1		
1	14	412754-1	LINK	1		
1	15	266326-2	TAPPING SCREW 4X18	1		
1	16	412756-7	SWITCH LEVER	1		
1	17	651496-4	SWITCH C3JR-1AT-PAXD3	1		
1	18	620E14-9	CONTROLLER	1		
1	19	252286-4	COLLARED HEX.LOCK NUT M5-8	1		
1	20	240177-1	FAN 110	1		
1	21	424721-4	RUBBER RING 115	1		
1	22	413366-3	FAN HOUSING	1		
1	23	424721-4	RUBBER RING 115	1		
1	24	424194-1	RUBBER RING 8	1		
1	25	210040-2	BALL BEARING 698LLU	1		
1	26	519580-0	ROTOR ASS'Y	1		INC. 25,27
1	27	211157-4	BALL BEARING 695ZZ	1		
1	28	629A49-3	STATOR	1		
1	29	652069-6	FLAT HEAD SCREW M3X6	3		
1	30	266490-9	TAPPING SCREW PT 2X6	3		
1	31	183M64-8	MOTOR HOUSING SET	1		INC. 33
1	32	266130-9	TAPPING SCREW BIND PT 3X16	4		
1	33	183M64-8	MOTOR HOUSING SET	1		INC. 31
1	34	266130-9	TAPPING SCREW BIND PT 3X16	2		

Products with multiple versions are listed in subsiding order with the newest version on top not indented.

Section	Fig. No.	Part No.	Description	GBU01	Tech Bulletin	Notes
1	35	413365-5	CAP	1		
1	36	266130-9	TAPPING SCREW BIND PT 3X16	4		
1	37	183T08-0	HOUSING SET	1		INC. 6
1	38	266326-2	TAPPING SCREW 4X18	10		
1	39	413367-1	FRONT PIPE	1		
A02	412758-3	END NOZZLE 80		1		Not Pictured
A03	191L96-5	ADAPTER PIPE 85-72 SET		1		Not Pictured
A04	183P97-1	EXTENSION NOZZLE SET		1		Not Pictured
A05	183P98-9	FLAT NOZZLE SET		1		Not Pictured