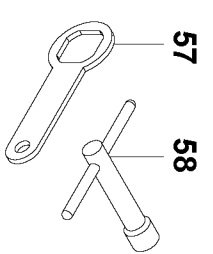
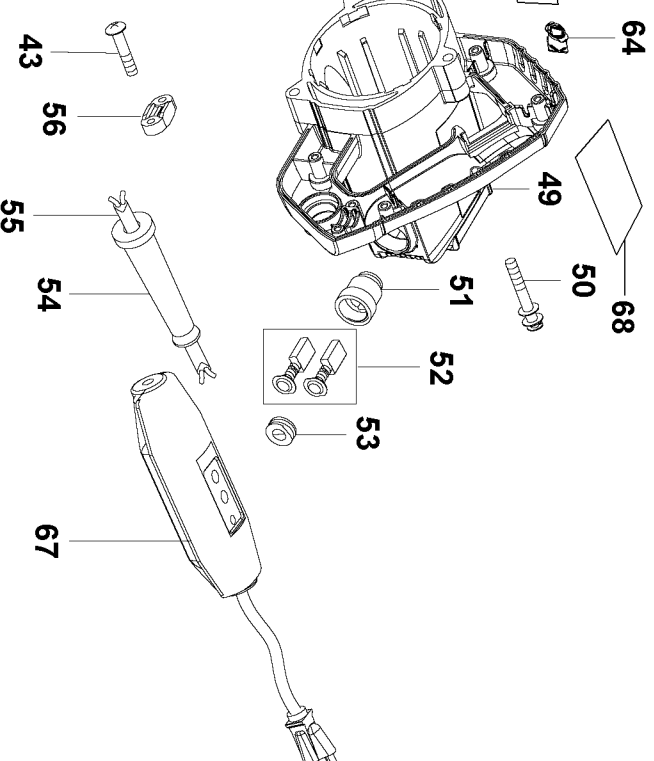
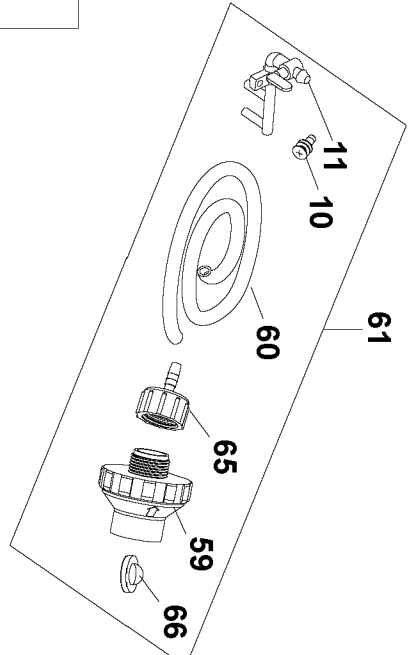
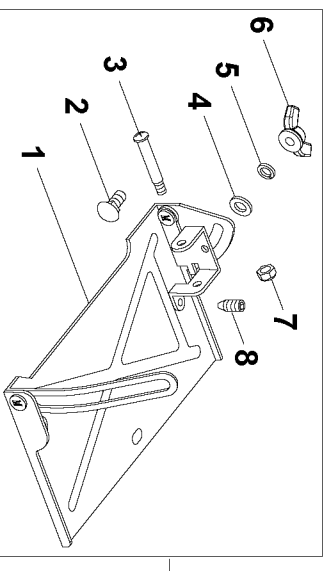
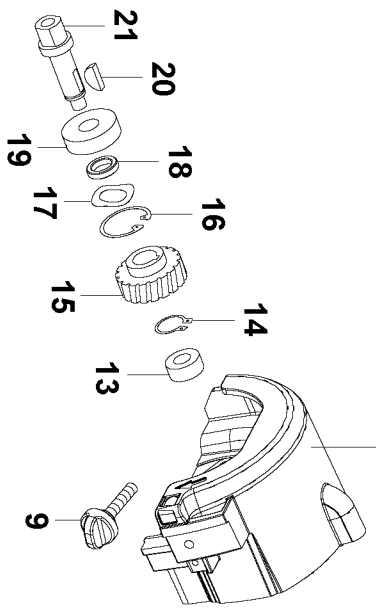
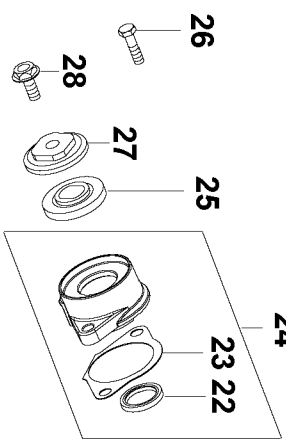
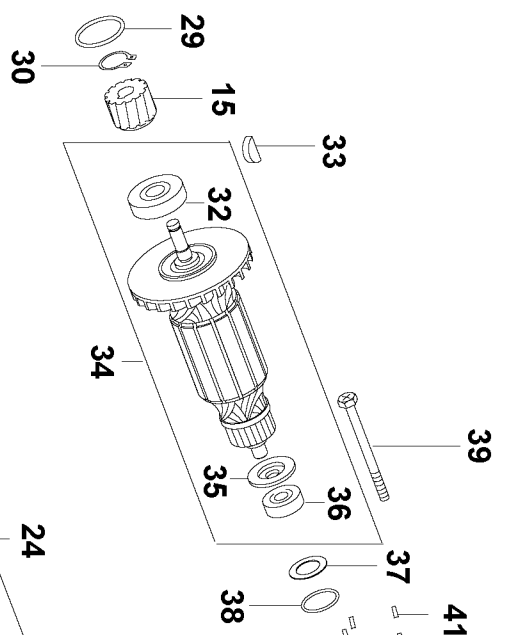


856



Parts List for DWC860W Type 1

| Item Number | Part Number | Description | Qty Required |
|-------------|-------------|----------------|--------------|
| 1 | N016657 | SHOE ASSY. | 1 |
| 2 | N016658 | SCREW | 1 |
| 3 | N016659 | CARRIAGE BOLT | 1 |
| 4 | N016660 | FLAT WASHER | 1 |
| 5 | N016661 | LOCKWASHER | 1 |
| 6 | N016662 | WING NUT | 1 |
| 7 | N017088 | NUT | 1 |
| 8 | N017089 | SET SCREW | 2 |
| 9 | N017178 | KNOB | 1 |
| 10 | N018154 | SCREW & WASHER | 1 |
| 11 | N018155 | WATER SUPPLY | 1 |
| 12 | N017179 | GEAR CASE | 1 |
| 13 | N017181 | BALL BEARING | 1 |
| 14 | N017182 | RETAINER RING | 1 |
| 15 | N028885 | GEAR&PINION | 1 |
| 16 | N017184 | RETAINER RING | 1 |
| 17 | N017185 | WAVY WASHER | 1 |
| 18 | N017186 | BUSHING | 1 |
| 19 | N017187 | BALL BEARING | 1 |
| 20 | N017188 | KEY | 1 |
| 21 | N017189 | SPINDLE | 1 |
| 22 | N017182 | RETAINER RING | 1 |
| 23 | N017190 | GASKET | 1 |
| 24 | N017191 | GEARCASE COVER | 1 |
| 25 | N017193 | INNER FLANGE | 1 |
| 26 | N017194 | HEX BOLT | 2 |
| 27 | N017197 | OUTER FLANGE | 1 |

COPYRIGHT© 2005. All Rights Reserved.

Parts list, pricing, and availability subject to change. Please visit www.dewaltservicenet.com for current parts information.

Parts List for DWC860W Type 1

| Item Number | Part Number | Description | Qty Required |
|-------------|-------------|--------------------|--------------|
| 28 | N017198 | ARBOR BOLT | 1 |
| 29 | N017200 | O-RING | 1 |
| 30 | N017203 | RETAINER RING | 1 |
| 32 | N017206 | BALL BEARING | 1 |
| 33 | N017208 | KEY | 1 |
| 34 | N028855 | ARMATURE ASSY. | 1 |
| 35 | N017210 | SLINGER | 1 |
| 36 | N017211 | BALL BEARING | 1 |
| 37 | N017212 | FLAT WASHER | 1 |
| 38 | N017213 | O-RING | 1 |
| 39 | N017214 | SCREW | 2 |
| 40 | N021066 | FIELD | 1 |
| 41 | N028877 | TERMINAL | 4 |
| 42 | N017631 | BAFFLE | 1 |
| 43 | N017632 | SELF TAPPING SCREW | 6 |
| 44 | N017633 | HANDLE COVER | 1 |
| 45 | N017634 | SWITCH CAP | 1 |
| 46 | N017635 | SWITCH COVER | 1 |
| 47 | N021067 | SWITCH | 1 |
| 49 | N017638 | FIELD CASE | 1 |
| 50 | N017639 | SCREW W/WASHER | 3 |
| 51 | N017640 | BRUSH HOLDER | 2 |
| 52 | N028884 | BRUSH KIT | 1 |
| 53 | N017642 | BRUSH CAP | 2 |
| 54 | N018149 | STRAIN RELIEF | 1 |
| 55 | N080219 | CORDSET | 1 |
| 56 | N018151 | CORD CLAMP | 1 |

COPYRIGHT© 2005. All Rights Reserved.

Parts list, pricing, and availability subject to change. Please visit www.dewaltservicenet.com for current parts information.

Parts List for DWC860W Type 1

| Item Number | Part Number | Description | Qty Required |
|-------------|-------------|----------------------|--------------|
| 57 | N016342 | SPANNER WRENCH | 1 |
| 58 | N016341 | WRENCH | 1 |
| 59 | 5140091-87 | CONNECTOR | 1 |
| 60 | 5140091-88 | TUBING | 1 |
| 61 | 5140091-89 | WET KIT | 1 |
| 62 | N028853 | BASE ASSY. | 1 |
| 64 | N035226 | SEAL WASHER | 1 |
| 65 | 5140092-59 | FITTING | 1 |
| 66 | F187 | SCREEN GARDEN HOSE 3 | 1 |
| 67 | 5140092-58 | GFCI PLUG | 1 |
| 68 | N073471 | NAMEPLATE | 1 |
| 69 | N080493 | WARNING LABEL | 1 |
| 856 | DW4738 | DIAMOND WHEEL BLADE | 1 |
| 856 | DW4738 | DIAMOND WHEEL BLADE | 1 |

COPYRIGHT© 2005. All Rights Reserved.

Parts list, pricing, and availability subject to change. Please visit www.dewaltservicenetwork.com for current parts information.