

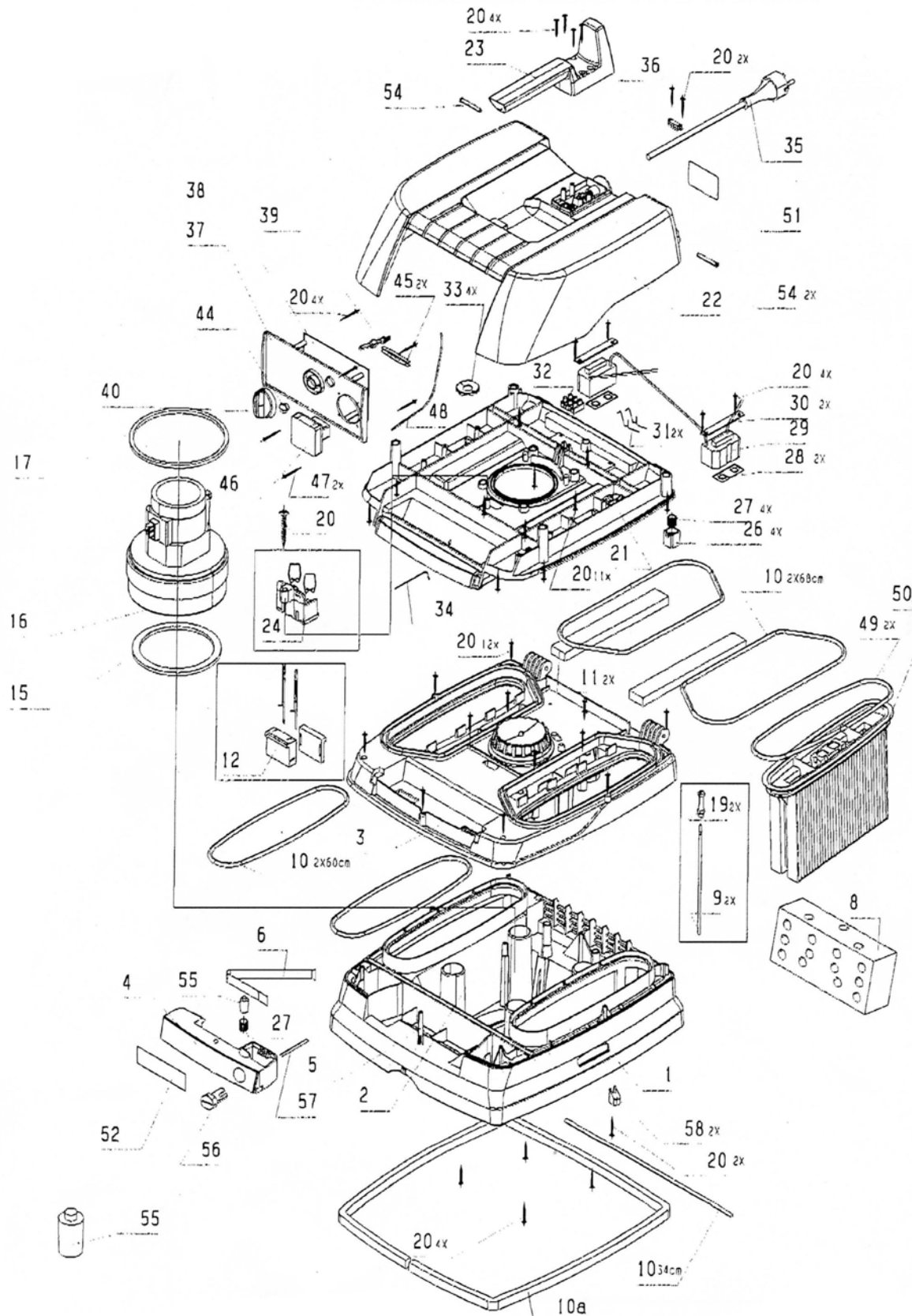
CS UNITEC, INC.

22 Harbor Avenue
Norwalk, CT 06850

Website: www.csunitec.com

Email: info@csunitec.com

Vacuum Model CS 1225



Not responsible for typographical errors.

POS. NO.	ITEM NO.	DESCRIPTION	
	416014	Filter Bags for CS 1225	5/pack
	415284	Carbon Brush Conductor	
10A	549248	Tank Seal	
1	415468	Housing, Lower	
3	552118	Motor Housing	
4	535111	Latch Plate	
5	535494	Bridge	
6	535395	Spring	
8	535616	Flat Insulation	
9	557113	Water Sensor	
10	543666	Seal	
11	535630	Motor Filter	
12	417714	Plug	
15	578651	Seal	
16	414836	Motor	
17	518220	Seal	
19	557120	Collet	
20	706429	Screw	
21	600017	Circuit Board	
22	535159	Cover	
23	535166	Handle	
24	417707	Plug	
25	561936	Contact Spring	
26	535470	Press Piece	
27	565569	Spring	
28	565514	Plunger	
29	640617	Field	
30	528595	Support	
31	535418	Handle	
32	506104	Wedge	
33	536736	Disk	
34	535500	Contact Wire	
35	552866	Power Cord	
36	531137	Clip	
37	416137	Face Plate	
38	685519	Circuit Board	
39	535524	Switch Axle	
40	419510	Knob	
44	538945	Lens	
45	535531	Spring	
46	548975	Outlet	
48	510477	Negative Pressure Hose	
49	535548	Seal	
50	416069	FILTER CASSETTE-2 PIECES	

CS Unitec, Inc.

22 Harbor Ave, Norwalk, CT 06850

Telephone: 203-853-9522 Toll Free: 800-700-5919 Fax: 203-853-9921

WebSite: www.csunitec.com E-Mail: info@csunitec.com

Not responsible for typographical errors.

POS. NO.	ITEM NO.	DESCRIPTION	
50	416038	FILTER CASSETTE-2 PIECES	Cellulose
54	535333	Bearing Bolt	
55	543048	Bolting Device Button	
56	543055	Lock Button	
57	543109	Latch Plate Spring	
58	543031	Supports	
70	535210	Tank	
71	535173	Clip	
72	535609	Axle	
73	535241	Wheel	
74	526829	Clip	
75	541808	CASTORS FOR VACUUM	

CS Unitec, Inc.

22 Harbor Ave, Norwalk, CT 06850

Telephone: 203-853-9522 Toll Free: 800-700-5919 Fax: 203-853-9921

WebSite: www.csunitec.com E-Mail: info@csunitec.com