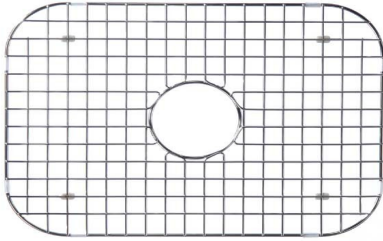


AR2318-D10

Premium 16 Gauge 304 Stainless Steel Single Bowl Undermount Sink



BG18S GRID
Optional



Sink Strainer
Optional

Model: AR2318-D10

Dimensions

- Overall Size: 23 1/8" x 18"
- Bowl Size: 21-1/8" x 16" x 10" D
- Drain Opening: 3 1/2"

Optional Accessories

- Single Grid: BG18S
- Sink Strainer

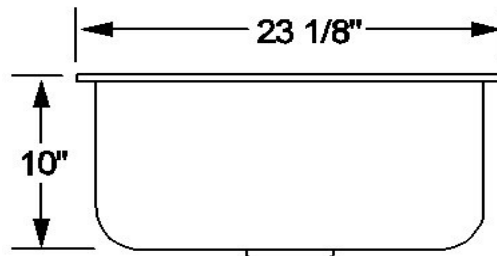
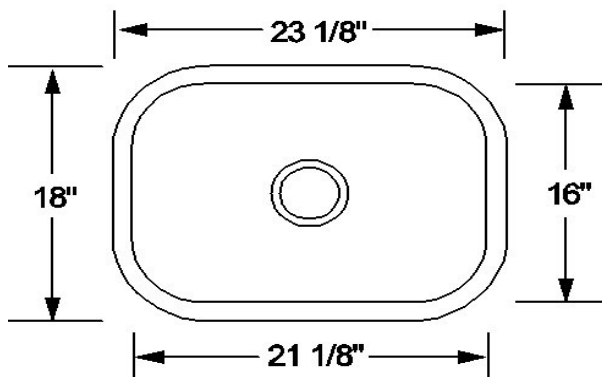
Features

- Heavy 16 gauge 304 stainless steel
- Proprietary V-Therm Shield™
- Provides superior sound deadening and thermal retention.
- High luster brush satin finish
- Stain and corrosion resistant

Optional Size Model Available:
AR2318-D9 with 9 inch depth bowl available.



Complies with ASME A112.19.3-2000



Product Specification

The undermount sink shall be 23 1/8" in length and 18" in width. Sink shall be made of 16 gauge stainless steel. Sink shall have brushed finished rim. Sink shall be a single bowl. Sink shall be an Artisan model AR2318-D____.