

## CR 2

**Achieving optimum compaction of sand, gravel, asphalt and paved surfaces? No problem with the powerful Weber MT soil compactor CR 2.**

Weber MT engineers have designed the CR 2 in such a way that it is well suited for asphalt compaction. When it comes to compacting paving stones the CR 2 can be equipped with a self-tightening polyurethane pad.

On sand or gravel the CR 2 achieves a compacting depth of 35 cm (14") – depending on soil conditions.



CR 2 R



### Advantages

- ▶ Forward and reverse travel.
- ▶ Infinitely variable hydraulic control for accurate operation.
- ▶ Robust protection frame to prevent the engine from getting damaged. Diesel version with engine guard.
- ▶ Throttle control lever at the guide bar.
- ▶ Low maintenance due to self-adjusting centrifugal clutch.
- ▶ Large, fixed lifting eyes for easy loading – also by means of forklifts.

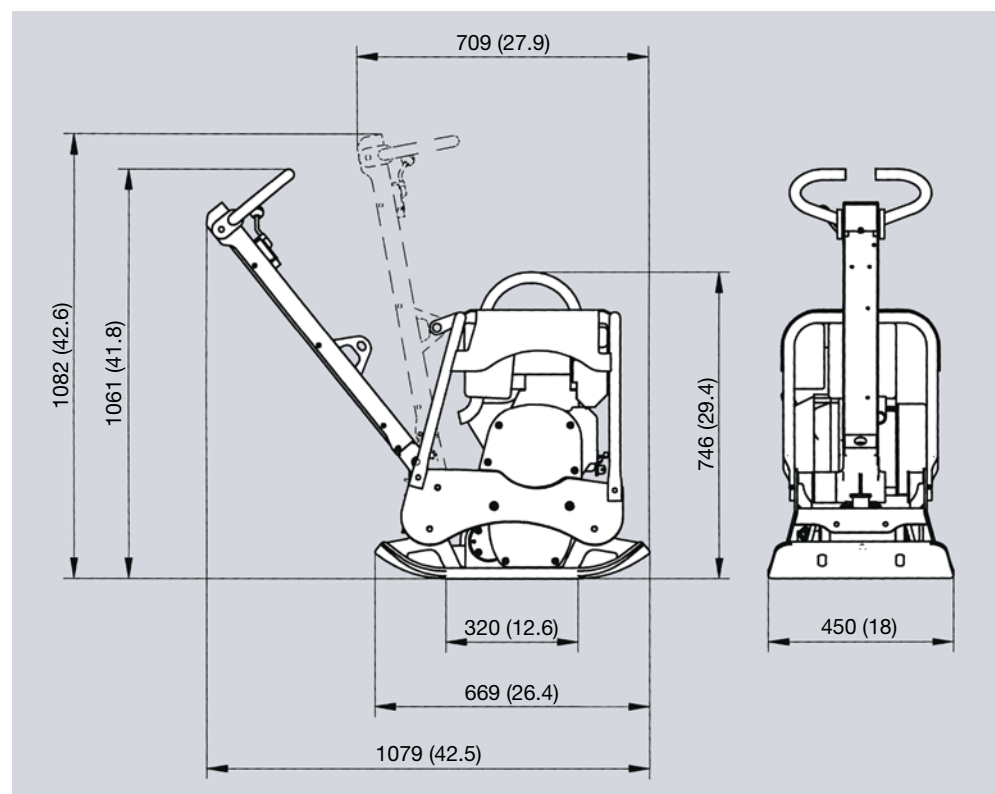
### Available optional extras

Polyurethane pad, water sprinkler system, wheel kit.

## Technical data

Type		CR 2	CR 2 R	CR 2 Hd
Operating weight to CECE	kg (lbs)	146 (322)	132 (291)	131 (289)
Centrifugal force	kN (lbs)	25 (5620)	25 (5620)	25 (5620)
Frequency	Hz (r.p.m.)	100 (6000)	100 (6000)	100 (6000)
Operating width	mm (in.)	450 (18)	450 (18)	450 (18)
Engine manufacturer		Lombardini 15 LD 225	Robin-Subaru EX 17	Honda GX 160
Engine type		Diesel	4-stroke, gasoline	4-stroke, gasoline
Engine power output, max.	kW (HP)	3.5 (4.8)	4.2 (5.7)	3.6 (4.9)
Power output at operating speed	kW (HP) at r.p.m.	3.2 (4.4) at 3350	3.1 (4.2) at 3350	3.1 (4.2) at 3350
Working speed	m/min (ft/min)	0-15 (0-49)	0-15 (0-49)	0-15 (0-49)

We reserve the right to amend the specifications without prior notice.



Dimensions in mm (inch).

