



***PARTS***  
***MANUAL***  
**HAND HELD**  
**SCARIFIER**

SP2



**ORIGINAL**  
**LANGUAGE**

Doc. # PB-B09010  
Orig. Rel. - 06/2011  
Curr. Rev. - 00  
Rev. Date - 06/2011



# PARTS BOOK

## SP2

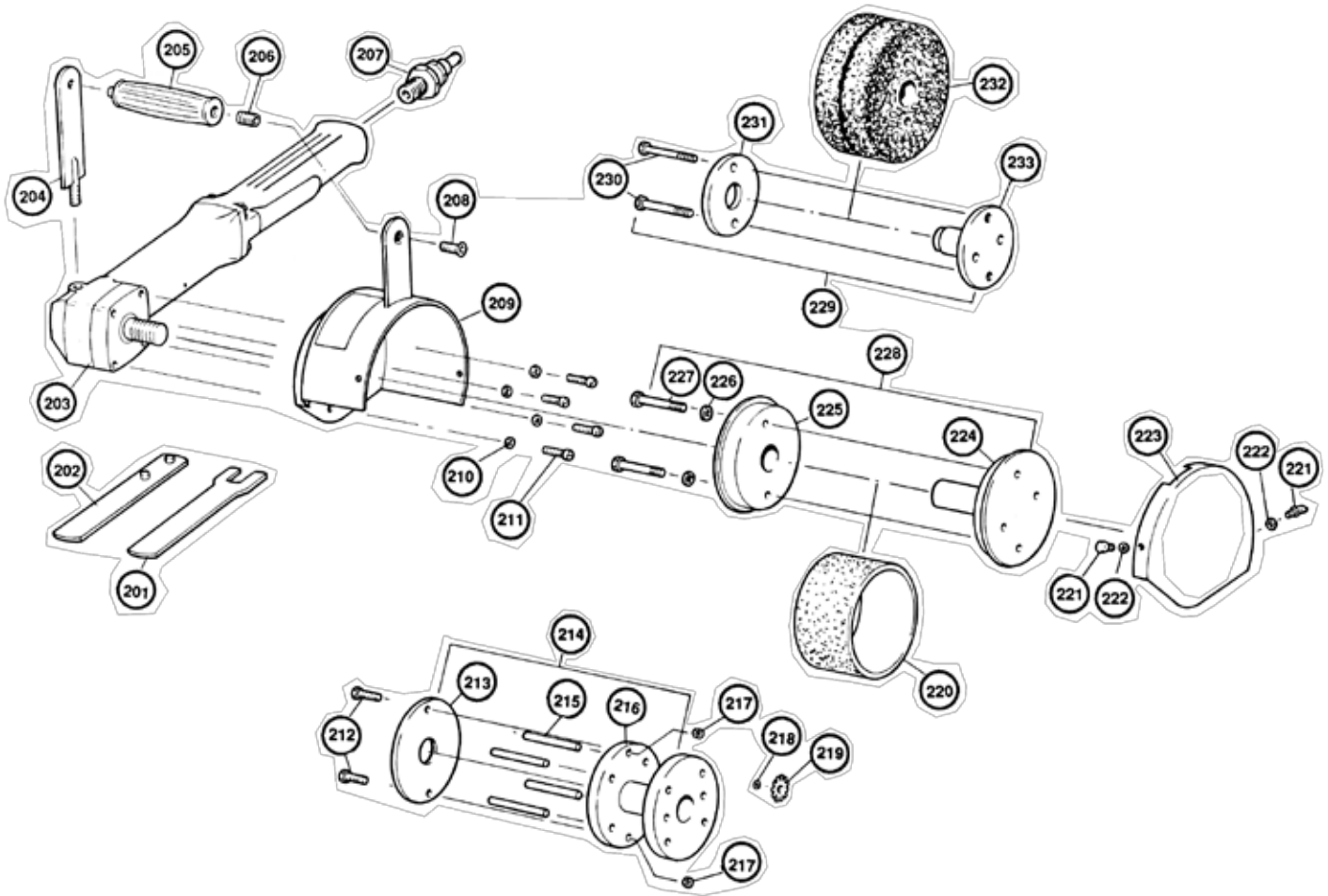
### TABLE OF CONTENTS

- |                        |   |
|------------------------|---|
| 1. GENERAL ASSEMBLY    | 4 |
| 2. DRIVE UNIT ASSEMBLY | 6 |

# PARTS LIST 1

## SP2

### GENERAL ASSEMBLY



ITEM NO.	PART NO.	DESCRIPTION	QTY.	REMARK
201	50219	CHUCK WRENCH	1	
202	50225	PIN WRENCH	1	
203	50203	PNEUMATIC DRIVE UNIT	1	
204	50230	HANDLE SUPPORT	1	
205	50236	HANDLE	1	
206	50558	HANDLE INSERT	1	
207	50222	QUICK COUPLING	1	
208	50217	FHSCS, 5/16-18 x 3/4" LG	1	
209	50440	SAFETY GUARD	1	
210	50231	WASHER, LOCK, #10	4	
211	50224	SCREW, 10-32 X 7/8" LG	4	
212	50406	FHSCS, 1/4-20 x 3/4" LG	2	
213	50405	CAGE - RETAINER PLATE	1	
214	50399	CAGE ASSEMBLY	1	

# PARTS LIST 1

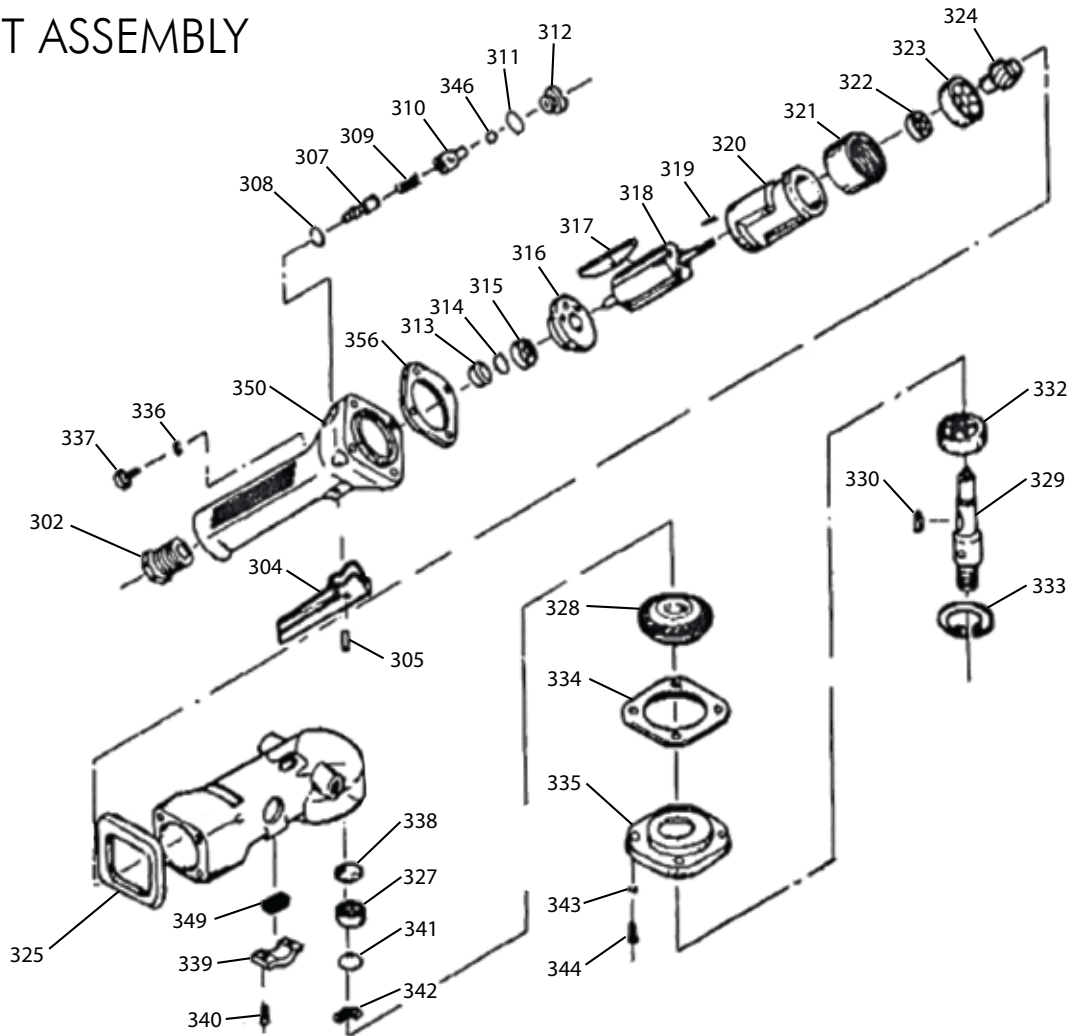
## SP2

215	50202	CUTTER SHAFT	4	
216	50398	CAGE	1	
217	50407	WASHER, LOCK, C/S, 1/4"	2	
218	50102	RING SPACER	32	
219	50021	B1 STAR CUTTER	32	
220	50240	CARBIDE DRUM	1	
221	50443	THUMB SCREW, #10-24 x 3/8" LG	2	
223	50441	GUARD COVER	1	
224	50237	DRUM SHAFT ASSEMBLY	1	
225	50212	DRUM SIDE PLATE	1	
226	10402	WASHER, LOCK, 5/16"	2	
227	50239	HHCS, 5/16-18 x 2 3/4" LG	2	
228	50238	DRUM CAGE ASSEMBLY	1	
229	50200	SCD CAGE ASSEMBLY	1	
230	50235	HHCS, 1/4-20 x 2 1/2" LG	2	
231	50233	CAGE BACK PLATE, SCD CAGE	1	
232	50374	5" CLEANING DISC	2	
233	50234	CAGE SHAFT ASSEMBLY, SCD	1	

# PARTS LIST 2

## SP2

### DRIVE UNIT ASSEMBLY



ITEM NO.	PART NO.	DESCRIPTION	QTY.	REMARK
302	51102	INLET BUSHING	1	
304	51104	LEVER	1	
305	51105	LEVER PIN	1	
307	51107	VALVE STEM	1	
308	51108	O-RING	1	
309	51109	VALVE STEM SPRING	1	
310	51110	AIR REGULATOR	1	
311	51111	O-RING	1	
312	51112	VALVE SCREW	1	
313	51113	REAR BEARING CAP	1	
314	51114	RETAINING RING	1	
315	51115	BEARING	1	
316	51116	REAR END PLATE	1	
317	51117	ROTOR BLADES	4	

# PARTS LIST 2

## SP2

318	51118	ROTOR	1	
319	51119	CYLINDER PIN	1	
320	51120	CYLINDER	1	
321	51121	FRONT END PLATE	1	
322	51122	BEARING	1	
323	51123	BEARING	1	
324	51124	PINIOIN GEAR	1	
325	51125	HOUSING BAND	1	
326	51126	MOTOR HOUSING	1	
327	51127	BEARING	1	
328	51128	BEVEL GEAR	1	
329	51129	SPINDLE	1	
330	51130	WOODRUFF KEY	1	
331	51131	HOUSING CAP	1	
332	51132	GASKET	1	
333	51133	BEARING	1	
334	51134	RETAINING RING	1	
336	51136	LOCK WASHER	4	
337	51137	CAP SCREW	4	
338	51138	BEARING PLATE	1	
339	51139	EXHAUST DEFLECTOR	1	
340	51140	SCREW	2	
341	51141	RETAINING RING	1	
342	51142	WAVE WASHER	1	
343	51143	LOCK WASHER	4	
344	51144	CAP SCREW	4	
346	51146	O-RING	1	
349	51149	GASKET	1	
350	51150	HANDLE	1	
356	51156	GASKET	1	



**BARTELL MORRISON INC.**

375 Annagem Blvd.  
Mississauga, Ontario, Canada  
L5T3A7

Toll Free: 866-501-1683

Local: 905-364-4200

Fax: 905-364-4202

[www.bartellmorrison.com](http://www.bartellmorrison.com)

**BARTELL MORRISON (USA) LLC.**

25 Industrial Drive.  
Keyport, New Jersey, USA  
07735

Toll Free: 888-999-1570

Local: 732-566-5400

Fax: 732-566-5444

[www.bmiamerica.com](http://www.bmiamerica.com)

