



HAWK ENTERPRISES

FLOOR MACHINE OWNER'S MANUAL

OPERATION – CARE – SERVICE

COVERS ALL:

**EYAS
.5 HP UNITS**



Hawk Enterprises
52744 Park Six Court
Elkhart, IN 46514

Phone: 574-294-1910
Toll Free: 888-289-4295

Fax: 574-970-0289
Toll Free: 866-429-5329

TABLE OF CONTENTS

Service Information _____	2
Important Safety Instructions _____	3
Grounding Instructions _____	4
Operations/Accessories _____	5
Brush and Drive Block Installation _____	6
Adjustments _____	7
Controls _____	7
Guidelines for Operation _____	8
Cord Storage _____	9
Clean Up and Storage _____	9
Floor Machine Assemblies (.5 HP Units) _____	10
Floor Machines Parts List _____	11-12
Optional Accessories _____	13
Features _____	13
Limited Warranty _____	14

SERVICE INFORMATION

To obtain consistent performance over the life of your equipment, read through these instructions and save them for future reference. If you require service, contact the dealer from which the machine was purchased or an authorized service station. Always refer to your Limited Warranty for complete service information.

The model, type, and serial number are indicated on the data plate on the side of the handle. For prompt and complete service, refer to these numbers when inquiring about service.

Write the model and serial number of your unit in the space provided. Refer to the data plate on the unit.

MODEL #

SERIAL #

RETAIN THIS OWNER'S MANUAL FOR FUTURE REFERENCE.

IMPORTANT SAFETY INSTRUCTION

When using an electrical appliance, basic precautions should always be followed, including the following:

READ ALL INSTRUCTIONS BEFORE USING THIS FLOOR MACHINE.



WARNING: ELECTRICAL SHOCK CAN CAUSE SERIOUS INJURY OR BE FATAL. PLEASE READ THE FOLLOWING INSTRUCTIONS ON THE USE AND OPERATON OF FLOOR FINISHING MACHINES.

- Your floor machine is equipped with a safety switch lock and power switch triggers designed for your safety. Do not attempt to bypass or defeat the safety switch lock. Never use any device to lock the power switch triggers in the “ON” position.
- Do not leave the floor machine plugged in. Turn off the switch and unplug the electrical cord when not in use and before servicing or changing the brushes or pads.
- Do not allow the machine to be used as a toy. Close attention is necessary when used near children. Do not leave the machine connected to an electrical outlet unattended.
- Use only as described in this manual. Use only manufacturer’s recommended attachments.
- Do not use with a damaged cord or plug. If the machine is not working as it should, has been dropped, damaged, or left outdoors, return it to a service center before using.
- Use care to keep the electrical supply cord around sharp edges or corners. Keep the cord away from the heated surfaces.
- Connect to properly grounded (3-wire) outlet only. Refer to Grounding Instructions, Page 4-5.
- Do not use extension cords or outlets with inadequate current carrying capacity.
- Turn off all controls before unplugging.
- Do not unplug by pulling on the cord. To unplug, grasp the plug and pull.
- Do not handle the plug or floor machine with wet hands.
- Wind the cord no tighter than is necessary to retain it during storage. Refer to Cord Storage, Page 9.
- Use extra care when working on or near stairs.
- Do not use in conjunction with flammable or combustible liquids such as gasoline, or use in areas where explosive vapor or dust may be present.
- Store your floor machine indoors in a cool, dry area.
- Keep your work area well lighted.
- **WARNING:** To avoid electrical shock, use indoor only.

GROUNDING INSTRUCTIONS

This appliance must be grounded. If it should malfunction or break down, grounding provides a path of least resistance for electric current to reduce the risk of electric shock. This appliance is equipped with a cord that has an equipment-grounding conductor and grounding plug. The plug must be plugged into an appropriate outlet that is properly installed and grounded in accordance with all local codes and ordinances.

FOR FLOOR FINISHING MACHINES RATED LESS THAN 150 VOLTS

Improper connection of an equipment grounding conductor can result in risk of electric shock. Check with a qualified electrician or service person if you are in doubt as to whether the outlet is properly grounded. Do not modify the plug provided with the appliance. If it will not fit the outlet, have a proper outlet installed by a qualified electrician. This appliance is for use on a nominal 120 volt circuit and has a grounding plug that looks like the plug illustrated in Figure 1.



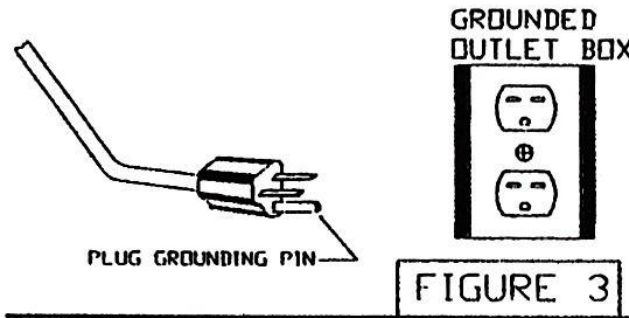
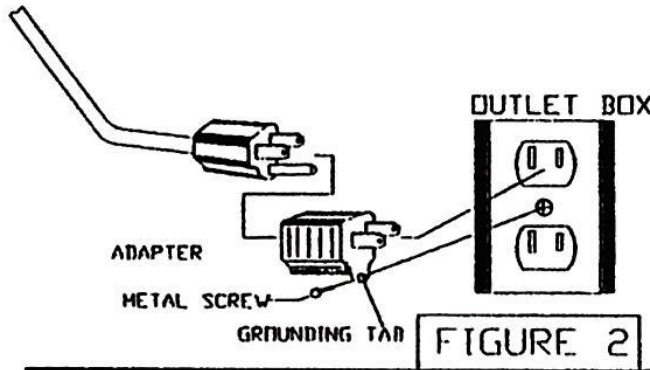
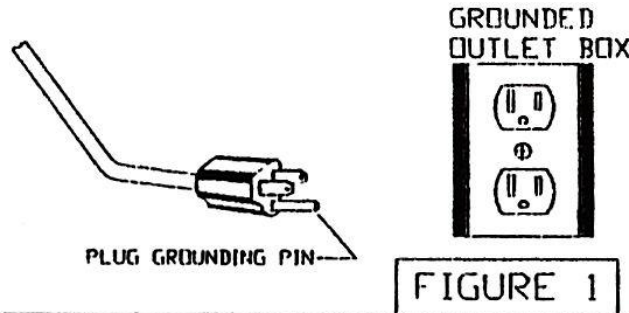
WARNING: DO NOT USE GROUDING ADAPTERS ON FLOOR MACINES IN CANADA. CHECK WITH CANADIAN CODES FOR PROPER EQUIPMENT USAGE. IMPROPER USE OF GROUND ADAPTORS CAN CAUSE SERIOUS INJURY, FIRE, OR BE FATAL.

A temporary adapter which looks like the adapter illustrated in Figure 2 may be used to connect this plug to a two pole receptacle, as shown, if a properly grounded outlet is not available. The temporary adapter should be used only until a properly grounded outlet (Figure 1) can be installed by a qualified electrician. The green colored rigid ear, lug, or the like extending from the adapter must be connected to a permanent ground such as a properly grounded outlet box cover. Whenever the adapter is used, it must be held in place by metal screw.

FOR FLOOR FINISHING MACHINES RATED 150-220 VOLTS:

If the machine is provided with an attachment plug cap as shown in Figure 3, it is intended for use on a 240 volt (nominal) circuit. No adapter is available for this cap.

GROUNDING INSTRUCTIONS (Continued)



OPERATION / ACCESSORIES

CHOOSING THE RIGHT BRUSH AND DRIVE BLOCK

Your floor machine is packed completely assembled and ready for use after you install a brush or drive block.

Your floor machine is designed to be used for many different floor care applications. Make sure you use the correct brush or pad for the type of job you want to perform. (Accessories are available from the dealer from whom the floor machine was purchased. See Optional Accessories, Page 15)

OPERATION / ACCESSORIES (Continued)

When ordering brushes or drive blocks, refer to the following chart and specify correct brush or block diameter when ordering.

MACHINE SIZE	PAD DRIVER DIAMETER	BRUSH DIAMETER	BRUSH BLOCK DIAMETER
10"	9"	10"	8"
13"	12"	13"	11"
15"	14"	15"	13"

BRUSH AND PAD DRIVER INSTALLATION

NOTE: **Disconnect the power cord from the electrical outlet before installing a brush or pad driver**

To install a brush or pad driver, leave the handle in the upright position and tip the machine backwards so it rests on its wheels and upper handle section (Figure 4). The brush and pad driver both attach in the same manner; align the cut-outs on the inner ring of the brush or pad driver with the tables on the inside of the ring of the drive hub (Figure 5). Push the brush or pad driver firmly in position, then turn it counter-clockwise until it locks into place. To remove, turn the brush or pad driver clockwise until it stops, and then lift it off. NOTE: Always remove the brush or pad driver when the machine is not in use.



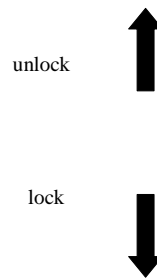
NOTE: **Disconnect power cord from the electrical outlet before installing or removing brush, pad, or pad driver.**



ADJUSTMENTS

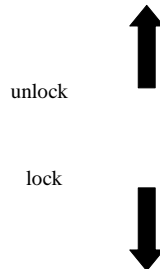
HANDLE ADJUSTMENT

The handle can be adjusted to any desired work position by simply pushing up on the handle lock. Move the handle to the desired position, then firmly push down on the handle lock which will lock the handle in position.



HANDLE CAM LOCK ADJUSTMENT

With the handle cam lock in the “up” position (unlocked), tighten the adjusting nuts until there is a slight drag when the handle is raised or lowered. The tube should be locked securely when the handle lock is pressed downward.



CONTROLS

ON/OFF POWER SWITCH TRIGGERS

The ON/OFF switch is conveniently located in the form of dual triggers underneath the handle grips.

CONTROLS

TO TURN THE MACHINE ON

The operating handle must be lowered and locked to the proper operating position before switching the machine ON. Place both hands firmly on the handle grips with your fingers around the power triggers. Do NOT apply pressure on the triggers before the safety switch lock is disengaged.

Disengage the safety switch lock by pushing it forward with one thumb. Then, while holding the safety switch lock in the disengaged position, squeeze the power triggers toward the handle grips and return your thumb to the handle grip.

To stop the machine, simply release the triggers. The safety switch lock will automatically return to the engaged position.

GUIDELINES FOR OPERATON

- Your floor machine is a very sensitive, powerful unit. When in operation, it should be guided gradually and smoothly without sudden or rough motions. You will want to practice with your machine on a smooth surface until you have experience in operating it.
- For ease of operation, always keep the brush or pad surface level, balanced, and flat on the floor at all times.
- Always adjust the operating handle to a comfortable height at which the brush or pad surface is balanced before starting the machine. (See Handle Adjustment Page 4)
- Your floor machine will operate differently on various surfaces. For example, there will be much more resistance when the machine is used with a brush on carpeted surfaces than when it is used with a pad on a smooth surface. The operator should be prepared to adjust for these differences.
- **BEGIN OPERATING THE FLOOR MACHINE WITH THE BRUSH OR PAD SURFACE LEVEL, BALANCED AND FLAT ON THE FLOOR.**
- To move the machine to the right, slowly apply slight upward pressure on the handle.
- To move the machine to the left, slowly apply slight downward pressure on the handle.
- To move the machine forward or backward, keep the brush or pad flat on the floor and push or pull the machine in the desired direction.

DO NOT LET THE MACHINE REST ON THE PAD OR BRUSH FOR AN EXTENDED PERIOD OF TIME. This may alter the shape of the pad or brush which may cause the machine to wobble.

CORD STORAGE

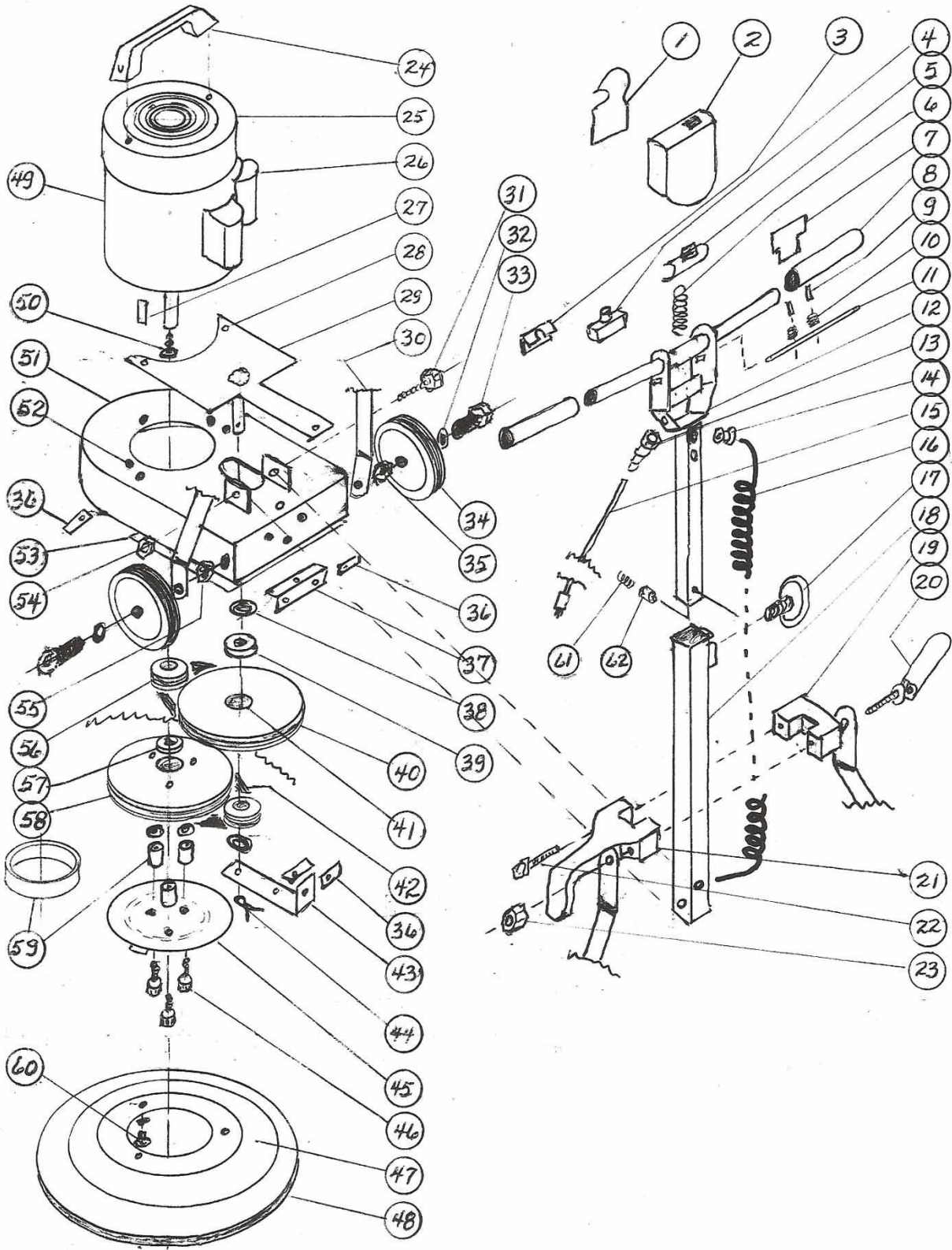
When not in use, loosely wind the power cord around the cord storage hook on the handle shaft and both of the handle grips, as shown:



CLEANUP AND STORAGE

After being used, your floor machine can be wiped clean with a soft, damp cloth and should be stored in a clean, dry place.

FLOOR MACHINE ASSEMBLIES
.5 HP (175 RPM)



ITEM NUMBER	PART NUMBER	PART DESCRIPTION	QUANTITY REQUIRED
1	L0002	SW BX CVR LABEL-.5HP	1.0000
2	W0003-3P-1	SWTCH BX CVR-13 IN	1.0000
3	H0013	SWITCH INSULATION	1.0000
4	E0007	MAIN ON/OFF SWITCH	1.0000
5	C0003-1	SAFETY SWITCH	1.0000
6	H0014	SPRING 2LNG X .025 OD X.026	1.0000
7	L0005-1	WARNING LABEL	1.0000
8	C0007-2	HANDLE GRIP - GRAY	2.0000
9	H0012	ROLL PIN 1/8 C 1-3/4	2.0000
10	H0023	SPRING 11/16LNG X.344 OD X.032	2.0000
11	S0008P	PAINTED - TRIGGER	1.0000
12	W0002U-1P	HANDLE - UPPER -TELESCOPING 13	1.0000
13	H0021-3	STRAIN RELIEF HEYCO	1.0000
14	H0028-3	GROMMET BG-140	3.0000
15	E0031-2	CRD-BLK-16-3 SJT UL/CSA 25'	1.0000
16	E0012-2	CORD BLACK-16-3 1-5' SJEO COIL	1.0000
17	H0101	KNOB (ROSETTE) FOR 1/2 BOLT	1.0000
18	W0002L-1P	HANDLE-LOWER-TELESCOPING-	1.0000
19	C0006P-1	PNT-CRDHK CAP/HDL LK CLMP	1.0000
20	HP0003-1	CAMLOCK ASSEMBLY	1.0000
21	C0008P-1	PAINTED - CORD HOOK -	1.0000
22	H0044	3/8-16 X 2-1/2H.C.S. GR8 BLK	1.0000
23	H0015	NUT-3/8 X 16 HEX NYLCK - ZINC	1.0000
24	C0038	LIFT HANDLE W/BRASS INSERT	1.0000
25	E0002	MOTOR 1/2 HP 115/230V 60 C	1.0000
26	E0008-4	START CAPACITOR 340-408 MICRO FARADS	1.0000
27	H0053-1	KEY -- MOTOR/PULLEY	1.0000
28	H0056-6	CARRIAGE BOLT, 1/4-20 X 3/4	3.0000
29	W0001-2P-1	PLATE -- ADJUSTOR RED	1.0000
30	S0005P-1	PAINT-CONNECTING LEG	2.0000
31	H0043-1	3/8-16X2-1/4 HX CP SCRW, 2 ZNC	1.0000
32	H0007	SPRING WASHER .515 ID ZINC	2.0000
33	H0091-2	1/2X13X3 HX CAP SCRW 5-ZINC	2.0000
34	C0004BB	WHEELS 1.25WX5DIA W/1/2BORE	2.0000
35	H0008	WASHER - ZINC PLATED STEEL	6.0000
36	H0079-3	AVECO CLIP #8359	7.0000
37	S0041P	BELT ADJ. BRACKET-UPPER, ZINC	1.0000
38	H0008	WASHER - ZINC PLATED STEEL	8.0000
39	M0019-2	BEARING .500 ID	2.0000
40	M0015-4	STEP PULLEY	1.0000
41	M0029	SPACER -- BEARING	1.0000
42	C0014-3	BELT	2.0000

43	S0040P	BELT ADJ. BRACKET-LOWER, ZINC	1.0000
44	H0006	COTTER PIN - ZINC 3/32 X 1	1.0000
45	C0036M	MACH-CLUTCH DRIVE CASTING EYAS	1.0000
46	H0056-5	1/4-20X2-3/4 SC CP SCRWBK OX	3.0000
47	S0020-1P-10	13 BRUSH.COVER-HAMMER GRAY	1.0000
48	C0015-1	13 INCH BUMPER - RED	1.0000
49	L0001	MOTOR LABEL	1.0000
50	H0056-8	1/4-20X1-1/4 HX TAP BLT 2-ZINC	1.0000
51	W0001-2P-1	FRM ASSY-2PCS FR BLT DRV 13 IN	1.0000
52	H0041	3/8-16 X 3/4H.C.S. GR5 ZINC	3.0000
53	C0037P	SPLASH GUARD MAT.-WRINKLE	1.0000
54	H0015-1	NUT-3/8 X 16 NYLON L/N ZINC	1.0000
55	H0090-1	NUT - 1/2-13 INCH NYLON- ZINC	2.0000
56	M0015-3	DRIVE PULLEY	1.0000
57	M0019-3	BEARING .625 ID	2.0000
58	M0014-1	PULLEY - IDLER DRIVE	1.0000
59 (ALT)	C0039	ALTERNATE CONSTRUCTION -- SPACER RING	1.0000
60	H0056-9	SCREW 1/4 - 20 X 3/4	3.0000
61	H0023	SPRING 11/16LNG X.344 OD X.032	1.0000
62	M0003-2P	SLEEVE - LOCK PIN	1.0000

OPTIONAL ACCESSORIES

DESCRIPTION	MACHINE SIZE		
	10"	13"	15"
Polypropylene Brush	A0049	A0020	A0036
Polish Brush	A0050	A0021	A0035
Nylon Brush	A0048	A0016	A0037
Grit Brush	A0051	A0018	A0038
Pad Driver	A0047M	A0017	A0034
Solution Tank (3 Colors – BLACK/BLUE/RED)	A0001-3BLACK (Specify Color)	A0001-3BLACK (Specify Color)	A0001-3BLACK (Specify Color)
Plug, Hospital Grade, 115V	E0013	E0013	E0013
Clutch Plate (Plastic)	A0019	A0019	A0019
Clutch Plate (Aluminum)	A0019-1M	A0019-1M	A0019-1M
Splash Guard	N/A	Splash13	Splash15

FEATURES

- Dual trigger negative pressure switch allows operator to run with either hand.
- Safety switch lock mechanism prevents accidental start.
- Double reduction belt drive system.
- Extremely low noise.
- Premium 56 frame TEFC motors provide better cooling and more torque with longer motor life.
- Two piece, telescoping, welded heavy gauge steel handles give superior handling stability.
- Ergonomically designed foot operated positive lock handle adjustment eliminates bending.
- High strength steel frames withstand heavy duty wear situations.

THE HAWK LIMITED WARRANTY

Your HAWK equipment, which has been manufactured, tested, and inspected in accordance with carefully specified engineering requirements, is warranted to be free from defects in material and workmanship. This Limited Warranty is, however, subject to the following qualifications, conditions, and limitations which are set forth to provide you and all users of the HAWK equipment with information concerning the duration, extent, availability and applicability of this HAWK Limited Warranty - the procedure to be taken to obtain its performance - and other information concerning the HAWK Limited Warranty policy.

The HAWK Limited Warranty is extended to the original end user as follows:

.5 HP Machines: 1 year parts replacement and 6 months service labor warranty
(Based upon HAWK approved hourly labor rates.)

Replacement parts guaranteed for 90 days from date of installation against defects in material and workmanship.

This Limited Warranty does not cover damage attributed to the following:

1. Improper, unreasonable, or negligent use or abuse of the equipment
2. Use of equipment with hot water or high temperature above 130 degrees Fahrenheit (Solution Tanks)
3. Abrasions or punctures of equipment

The start date of the Limited Warranty coverage shall be the purchase date of the original end user OR six months from the date the machine was shipped from the factory, whichever comes first.

PARTS OF HAWK EQUIPMENT NOT COVERED BY THE LIMITED WARRANTY

Certain parts of the HAWK equipment require replacement in the ordinary course of use due to normal wear by reason of their characteristics. Normal wear items that are **NOT** covered under this Limited Warranty include but are not limited to:

Cords ---	Switches (ON/OFF, etc.) ---	Bumpers ---	
Handle Grips ---	Bearings ---	Wheels ---	Etc.

EXCEPTIONS AND EXCLUSIONS FROM THE LIMITED WARRANTY

This equipment is required to be used on electric current as indicated on the data plate. Otherwise damage, defects, malfunctions, or other failure of the equipment arising from use on electric current not as indicated are excepted and excluded from this Limited Warranty. Defects, malfunctions, failure, or damage of the equipment caused by improper and/or unreasonable use, neglect or abuse, while in possession of the purchaser are likewise excluded from this warranty. If repair is done on your equipment by anyone other than those designated by HAWK ENTERPRISES as authorized to perform such work, HAWK ENTERPRISES, at its sole option, may determine that this warranty will not apply and that reimbursement for such repair will not be made based on the failure to comply with such factory specified instructions.

PROCEDURE TO BE TAKEN TO OBTAIN PERFORMANCE OF LIMITED WARRANTY REPAIR

To secure repair of equipment or any warranted parts under this Limited Warranty, the following procedure should be taken. The inoperative equipment or warranted parts, together with evidence of the purchase date, must be delivered, with shipping and delivery charges prepaid, to one of the following:

1. The dealer from whom the equipment/item was purchased
2. Any HAWK distributor's service department in the United States
3. Any HAWK authorized service station in the United States

If you are unable to locate any of the above, you may write or otherwise communicate with HAWK ENTERPRISES before repair service is performed by anyone else. In such event, HAWK ENTERPRISES will provide either the location of a closely available HAWK distributor service department, or HAWK authorized service station or other factory instructions. Upon compliance with the above procedure, all warranted defects will be repaired, at no additional charge or costs to the customer, and the repaired product returned to the customer, with all shipping and delivery within the first year of the warranty. In following the procedures above set forth, PLEASE MAKE CERTAIN to state the HAWK model, type, and serial number as shown on the data plate of the equipment.

REPLACEMENT

In the event of a defect, malfunction, or failure of your HAWK equipment or any warranted part to conform with this warranty, HAWK may, at its sole option and own expense, replace the equipment or any warranted part with another new identical or reasonably equivalent model or part in lieu of repairing the defect. Do **NOT** return any equipment or part to the HAWK ENTERPRISES factory without prior authorization.

NO REFUND OF PURCHASE PRICE

HAWK will **NOT**, as a matter of its Limited Warranty policy, refund the customer's purchase price.

LIMITED WARRANTY FOR YOUR HAWK EQUIPMENT AND REQUEST FOR INFORMATION

Your HAWK distributor from whom you purchased your equipment is responsible for maintaining the necessary date information with regards to your Limited Warranty with the factory. Any information or questions you may have concerning your HAWK equipment or this Limited Warranty may likewise be secured from the factory. This Limited Warranty give you specific legal rights, and you may also have other rights which vary from state to state.

HAWK ENTERPRISES
(888) 289-4295
(888) BUY HAWK