

Parts List			
ITEM	QTY	SPE PART NUMBER	DESCRIPTION
1	1	5070	Main Chassis
2	1	5071	Front Chassis
3	1	5076	Sealing Brush (front)
4	1	5077	Sealing Brush (back)
5	1	5078	Motor Mounting Plate
6	1	5080	Handlebar
7	2	5017	Flexible Mounting
8	1	5072	Adjustable Front Panel
9	1	5073	Adjustable Rear Panel
10	2	9104	Handlebar Grip
11	2	5093	Motor Mount Retaining Bar
12	1	HON16576	Honda Cable Clamp
13	1	5091	Cover Box - Petrol



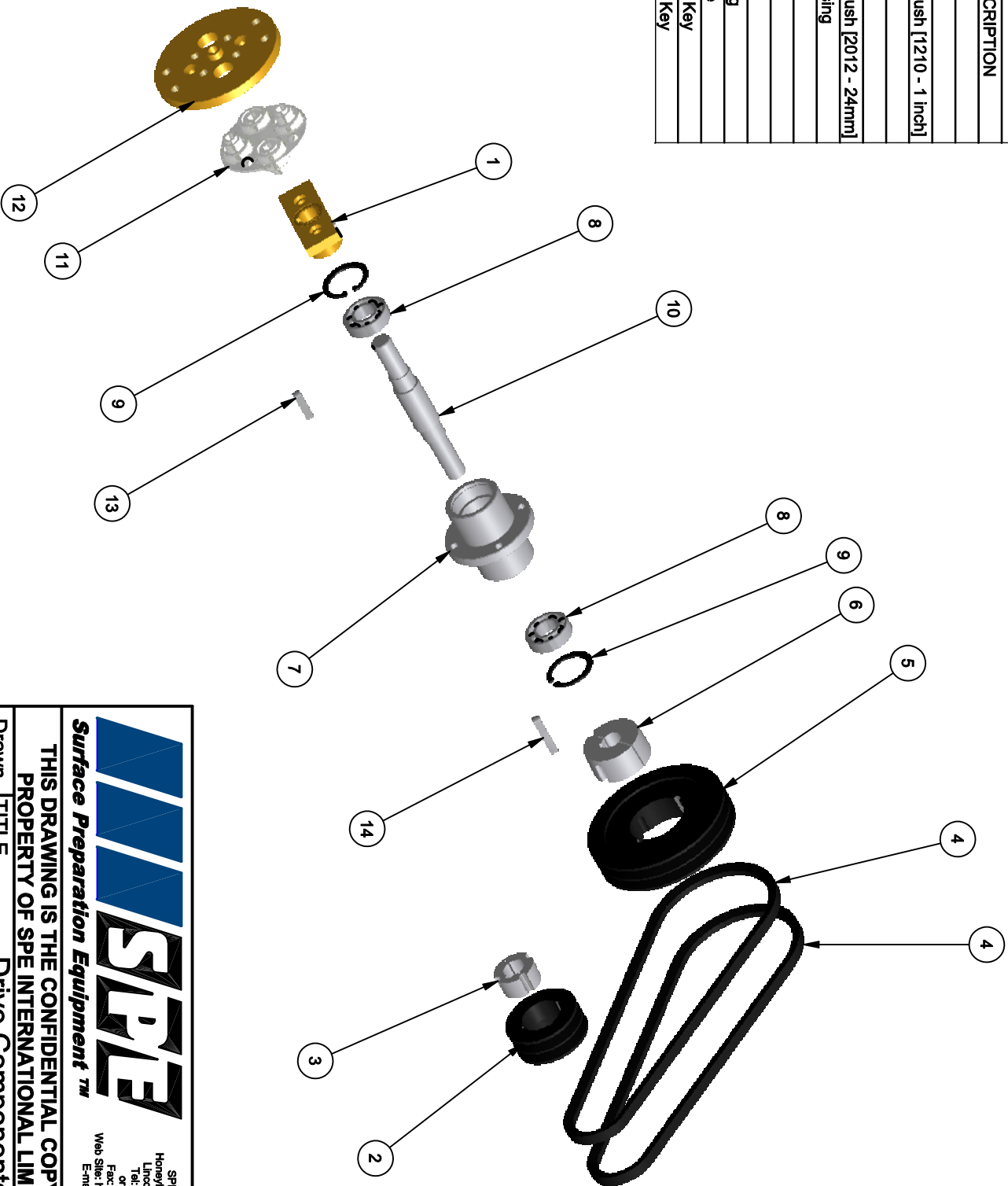
SPE International Limited
 Honeyholes Lane, Dunholme
 Lincoln, LN2 3SU, England
 Tel: +44 (0) 1673 860 709
 or +44 (0) 1673 860 330
 Fax: +44 (0) 1673 861 119
 Web Site: <http://www.spe-int.com>
 E-mail: sales@spe-int.com

**THIS DRAWING IS THE CONFIDENTIAL COPYRIGHT
 PROPERTY OF SPE INTERNATIONAL LIMITED**

Drawn	TITLE		Body Components
D.G.A.			
Checked	Drawing No.	MACHINE	
P.A.	DFG-250_Bdy-02	DFG 250-2	

***This drawing should not be used,
 copied, shown or handed to a third
 party without the prior written
 consent of SPE International Ltd.***

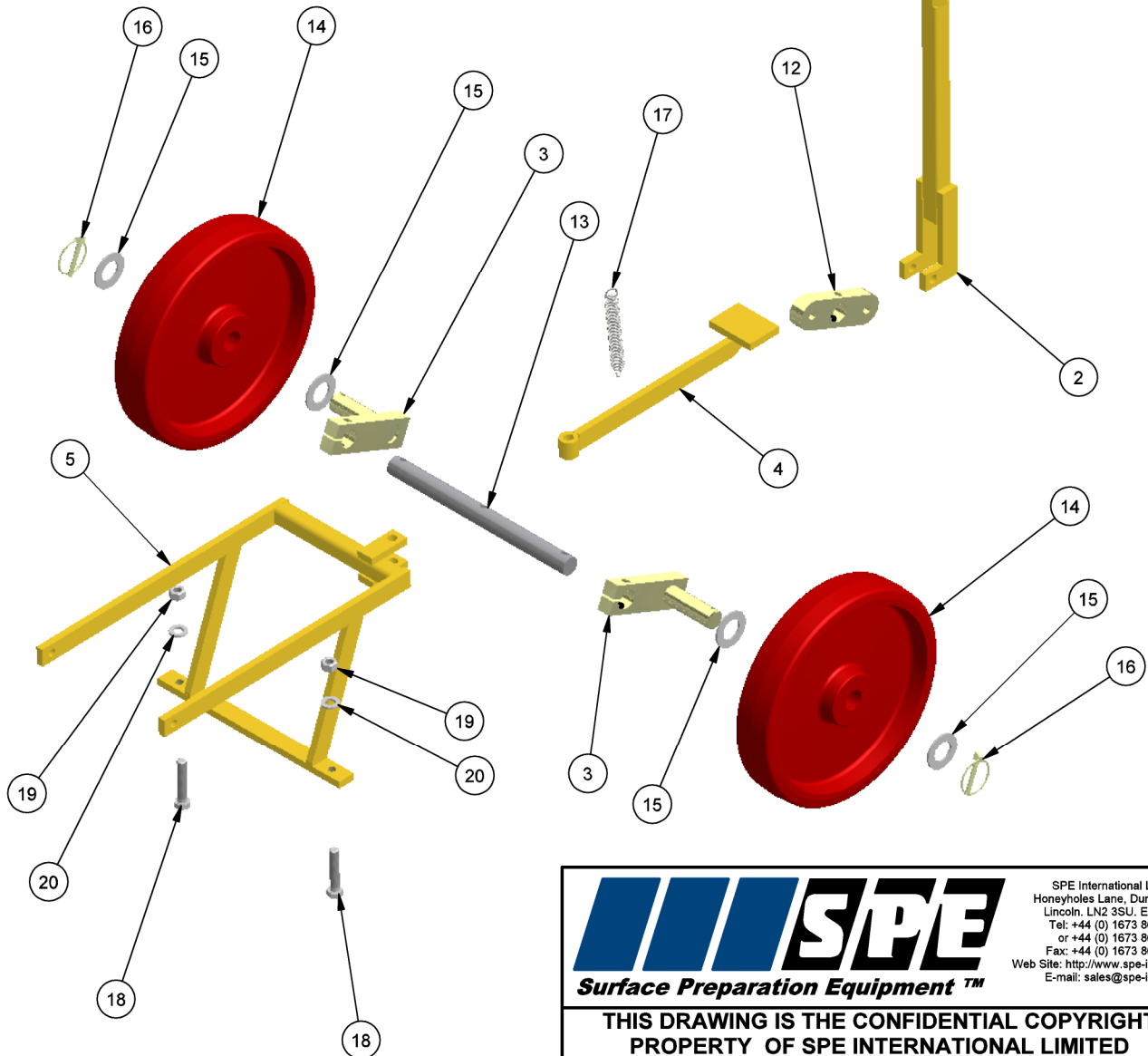
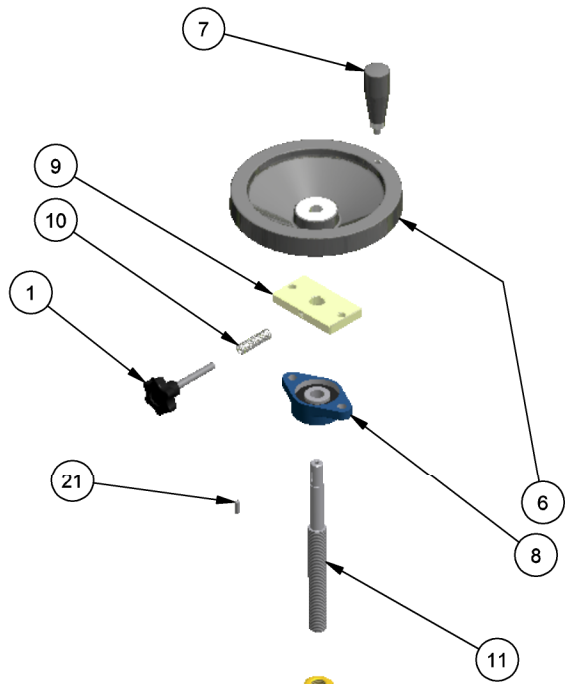
Parts List		
ITEM	QTY	SPE PART NUMBER DESCRIPTION
1	1	5062 Connector
2	1	08029 Drive Pulley
3	1	5053 Taper Lock Bush [1210 - 1 inch]
4	2	5054 Drive Belt
5	1	5055 Driven Pulley
6	1	5056 Taper Lock Bush [2012 - 24mm]
7	1	5057 Bearing Housing
8	2	5058 Bearing
9	2	5059 Int. Circlip
10	1	5060 Shaft
11	1	5063 Flexi Coupling
12	1	5064 Adaptor Plate
13	1	5061 8x40 Parallel Key
14	1	5060A 8x55 Parallel Key



This drawing should not be used, copied, shown or handed to a third party without the prior written consent of SPE International Ltd.

 Surface Preparation Equipment™		SPE International Limited Honeyholes Lane, Dunthorpe Lincoln, LN2 3SL, England Tel: +44 (0) 1673 860 708 or +44 (0) 1673 860 330 Fax: +44 (0) 1673 861 119 Web Site: http://www.spe-int.com E-mail: sales@spe-int.com	
		THIS DRAWING IS THE CONFIDENTIAL COPYRIGHT PROPERTY OF SPE INTERNATIONAL LIMITED	
Drawn	TITLE	Drive Components	
D.G.A.	Drawing No.	DFG-250_Drv-02	MACHINE
Checked	P.A.		DFG 250-2

Parts List			
ITEM	QTY	SPE PART NUMBER	DESCRIPTION
1	1	2019	Tri-Screw
2	1	5083	Height Rod
3	2	5026	Stub Axle
4	1	5086	Foot Pedal
5	1	5087	Support Frame
6	1	2020	Hand Wheel
7	1	2020B	Revolving Handle
8	1	9134	Bearing
9	1	9155	Anit-Vibration Plate
10	1	2124	Spring
11	1	5022	Height Screw
12	1	5084	Connecting Bar
13	1	5085	Axle
14	2	5028	Wheel
15	4	5098	Wheel Spacer
16	2	5029	Locking Pin
17	1	5088	Spring
18	2	Bolt001	M12 x 60
19	2	NUT 001	Hex Nut
20	2	WASH 001	Washer M12
21	1	9113A	4x16 Parallel Key



This drawing should not be used, copied, shown or handed to a third party without the prior written consent of SPE International Ltd.



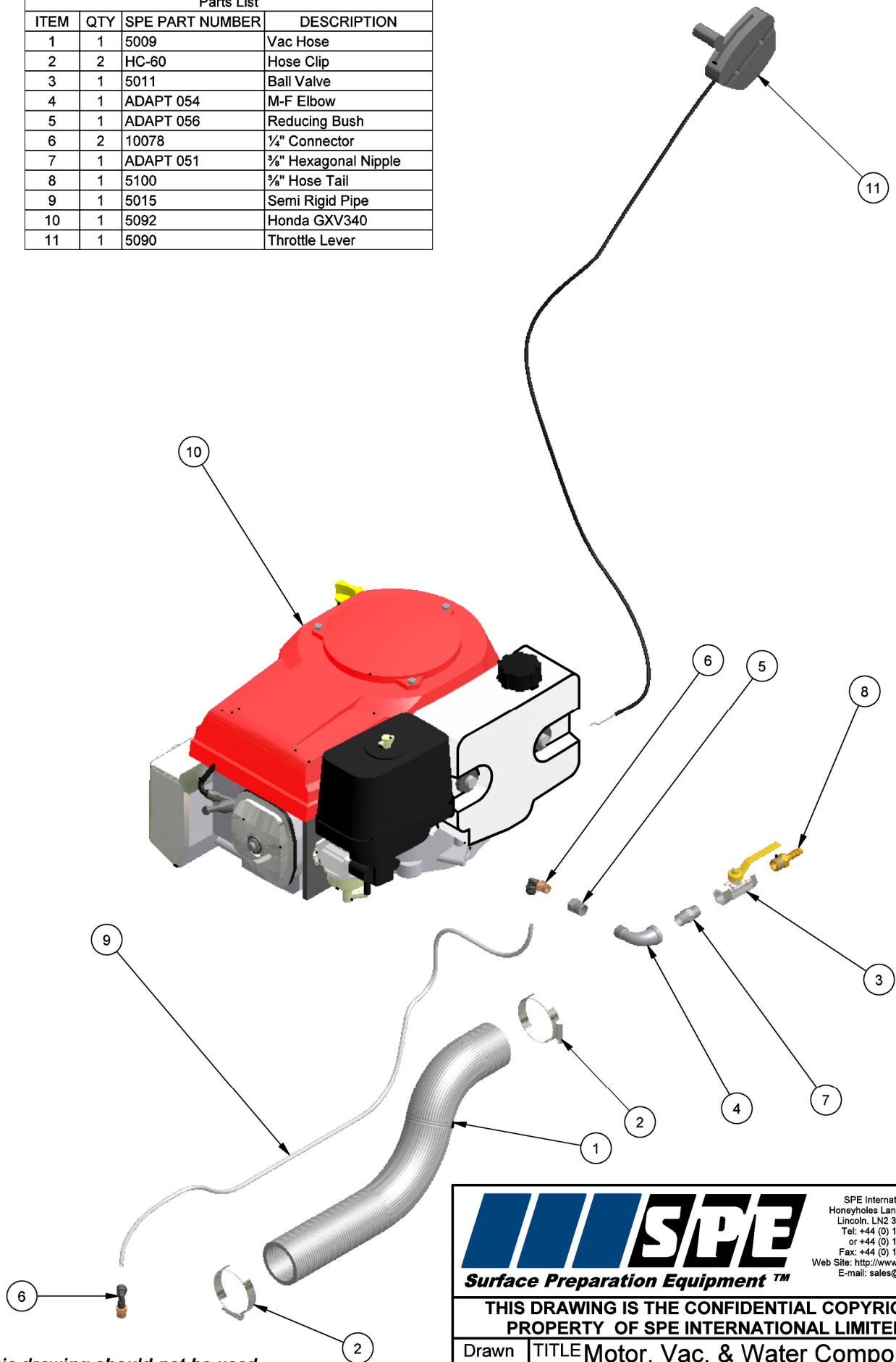
SPE
Surface Preparation Equipment™

SPE International Limited
Honeyholes Lane, Dunholme
Lincoln, LN2 3SU, England
Tel: +44 (0) 1673 860 709
or +44 (0) 1673 860 330
Fax: +44 (0) 1673 861 119
Web Site: <http://www.spe-int.com>
E-mail: sales@spe-int.com

THIS DRAWING IS THE CONFIDENTIAL COPYRIGHT PROPERTY OF SPE INTERNATIONAL LIMITED

Drawn	TITLE Height Adjusting Components	
D.G.A.		
Checked	Drawing No.	MACHINE
P.A.	DFG-250_Hgt-02	DFG 250-2

Parts List			
ITEM	QTY	SPE PART NUMBER	DESCRIPTION
1	1	5009	Vac Hose
2	2	HC-60	Hose Clip
3	1	5011	Ball Valve
4	1	ADAPT 054	M-F Elbow
5	1	ADAPT 056	Reducing Bush
6	2	10078	1/4" Connector
7	1	ADAPT 051	3/8" Hexagonal Nipple
8	1	5100	3/8" Hose Tail
9	1	5015	Semi Rigid Pipe
10	1	5092	Honda GXV340
11	1	5090	Throttle Lever



This drawing should not be used, copied, shown or handed to a third party without the prior written consent of SPE International Ltd.

SPE
Surface Preparation Equipment™

SPE International Limited
Honeyholes Lane, Dunholme
Lincoln, LN2 3SU, England
Tel: +44 (0) 1673 860 709
or +44 (0) 1673 860 330
Fax: +44 (0) 1673 861 119
Web Site: <http://www.spe-int.com>
E-mail: sales@spe-int.com

THIS DRAWING IS THE CONFIDENTIAL COPYRIGHT PROPERTY OF SPE INTERNATIONAL LIMITED

Drawn	TITLE Motor, Vac. & Water Components	
D.G.A.		
Checked	Drawing No.	MACHINE
u/c	DFG-250_MVW-02	DFG 250-2