



MANUFACTURING CORP.

www.ArtisanStyles.com

973-286-0080

CPUZ3219-D10/10 Chef Pro Sink

Model: CPUZ3219-D10/10



Dimensions

- Overall: 32" x 19" x 10"
- Overall Interior: 30" x 17" x 10"
- Left Bowl Size: 14 9/16" x 17 1/16" x 10"
- Right Bowl Size: 14 9/16" x 17 1/16" x 10"

Color/Finish

- Stainless Steel

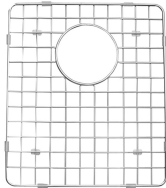
Features

- Handmade
- 10" deep single bowl
- 16 gauge 304 stainless steel finish
- 18/10 Nickel/Chrome content
- Long lasting tight brush finish
- Tapered front arched apron design
- Stain and corrosion resistant
- V-Therm Shield™ undersurface
- Undermount

Stainless Steel Sink Cleaner
Optional

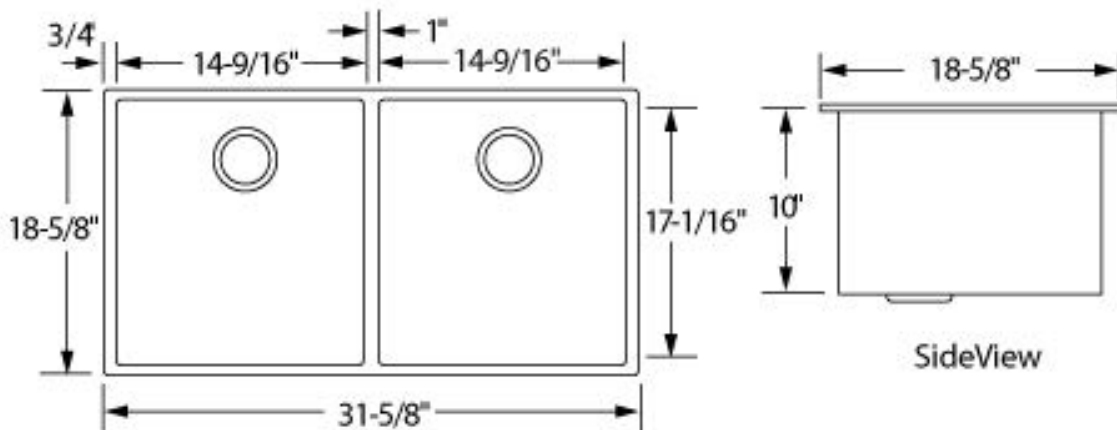


Sink Strainer
Optional



BG-1512S Grids
Optional

John Boos & Co. Cutting Board
Optional



All sinks are handmade. Prior to cutting, verify with included template.

Optional Accessories

- Sink Strainers
- Grid (BG-1512S)
- Stainless Steel Sink Cleaner
- John Boos & Co. Cutting Board (CB1)