



MANUFACTURING CORP.

www.ArtisanStyles.com

973-286-0080

CPUZ3219-D10

Chef Pro Sink



BG-2916S Grid
Optional



Sink Strainer
Optional



Stainless Steel Sink Cleaner
Optional



John Boos & Co. Cutting Board
Optional

Model: CPUZ3219-D10

Dimensions

- Interior: 30" x 17" x 10"
- Overall: 32" x 19" x 10"

Color/Finish

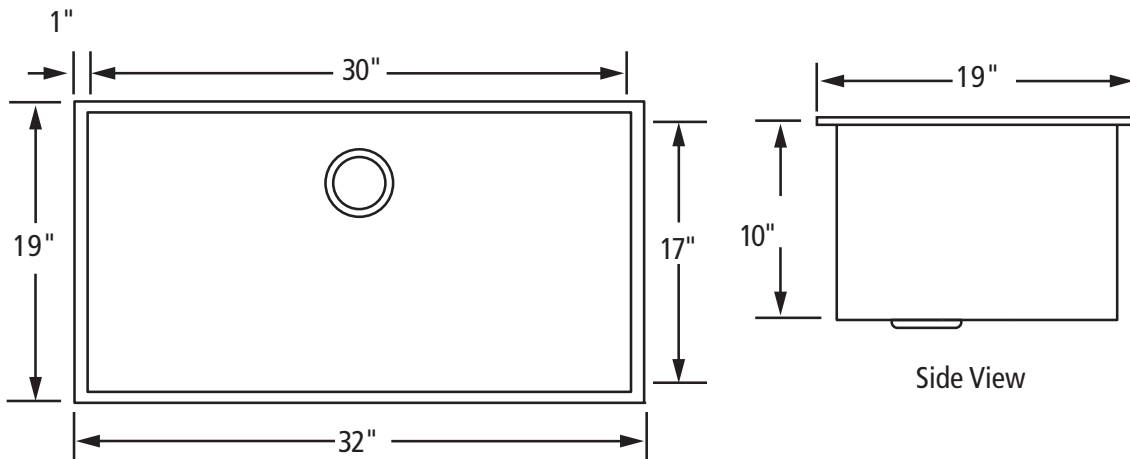
- Stainless Steel

Features

- Handmade
- 10" deep single bowl
- 16 gauge 304 stainless steel finish
- 18/10 Nickel/Chrome content
- Long lasting tight brush finish
- Tapered front arched apron design
- Stain and corrosion resistant
- V-Therm Shield™ undersurface
- Undermount

Optional Accessories

- BG-2916S (Grid)
- Sink Strainer
- Stainless Steel Sink Cleaner
- John Boos & Co. Cutting Board (CB1)



All sinks are handmade. Prior to cutting, verify with included template.