

Optional Dust Collecting Assembly, Optional Stand

The Dust Collection Assembly is an optional accessory that is used to help control the dust (when used with the optional dust control kit) developed while dry cutting. The following procedure is required to install the Optional Dust Collecting Assembly:

1. Place the Dust Collecting Guard on to the rear of the machine. The inner sides of the Dust Collecting Guard fits inside of the vertical up rights. The bottom of the Dust Collecting Guard has a flange with a rubber gasket glued to it, this flange fits over the outside rear of the water pan.
2. Align the holes in the Dust Collecting Guard with those in the machine's vertical uprights and those in the water pan.
3. Attach the one (1) Side Support Bracket to the inside of each side of the Dust Collecting Guard with the hex-head bolts and flat washers (see Figure 6-1: Side Support Bracket Location). NOTE: The Side Support Bracket will hold the Dust Collection Guard to] the vertical upright. This figure is shown in an exploded view for clarity.
4. Place the smaller "U" shaped bracket over the inside of the water pan's rear flange (see Figure 6-2: "U" Shape Bracket Location). NOTE: This figure is shown in an exploded view for clarity.
5. Align the holes in the smaller "U" shaped bracket with the holes in the water pan's rear flange.
6. Place one (1) Carriage Bolt into each of the smaller "U" shaped bracket holes.
7. Align the larger "U" shaped bracket holes with each of the threads of the Carriage Bolt and attach With the wing nuts.

- Failure to follow the above removal procedure may cause the user injury or damage the plastic Dust Collecting Pan.

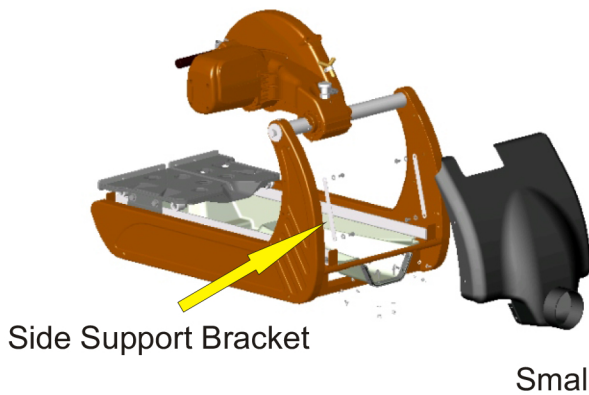


Figure 6-1: Side Support Bracket Location

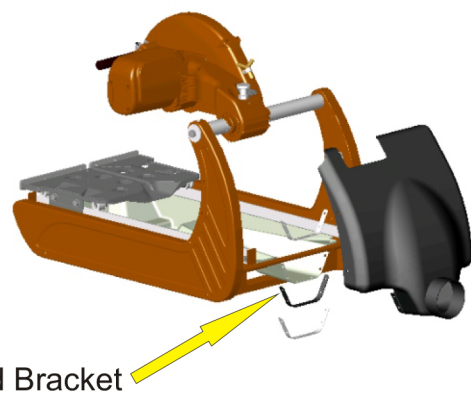
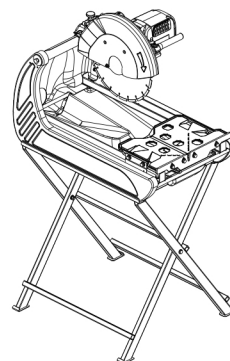
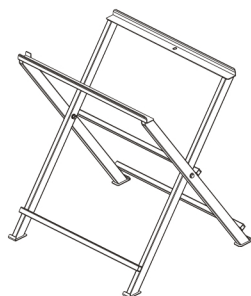


Figure 6-2: "U" Shape Bracket Location

Optional Folding Stand part number 235001



Attach the Block Buster Mini to the stand with the wing nuts supplied with the optional stand