

## AF420

### Premium Pull-Out Kitchen Sink Faucet



#### Model: AF420-AB AF420-SN

#### Dimensions

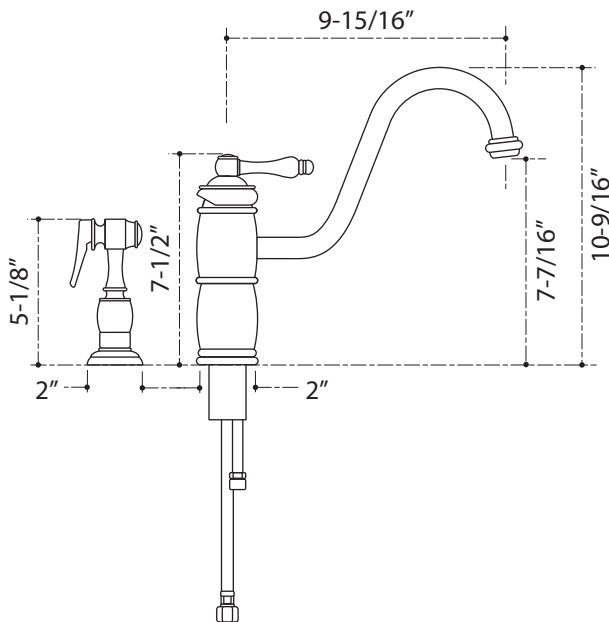
- Height: 7-1/2"
- Spout Reach: 9-15/16" center to center

#### Color/Finishes


- Antique Bronze: AF420-AB
- Satin Nickel: AF420-SN

#### Features

- High quality solid brass construction
- Durable ceramic disc cartridge
- Two finishes:
  - Triple satin nickel plating
  - Antique Bronze rich old world finish
- One-handle lever design for ease of use
- Engineered for long service
- Double opening (faucet & sprayer)
- Pull-out sprayer
- Limited lifetime warranty
- 2.2 gallons per minute maximum flow rate



#### Codes/Standards Applicable

-  ASME A112.18.1-2005/CSA B125.1-05
- Meets requirements for AB1953 - January 1, 2010
- NSF/ANSI 61

#### Product Specification

The contemporary pull-out kitchen sink faucet shall be of metal construction. This product shall have a maximum flow rate of 2.2 gallons per minute. This product shall have a one-piece, self-contained ceramic disc valve allowing volume and temperature control. This product has temperature memory, allowing the faucet to be turned on and off at any temperature setting. Product shall feature a sprayhead with spray, laminar flow, and pause settings. Product features a nylon hose and ball joint for easy operation and ADA compliant lever handle.

Kitchen faucet shall be Artisan Model AF \_\_\_\_\_ Finish \_\_\_\_\_